



BELGARD®  
PAVES THE WAY™

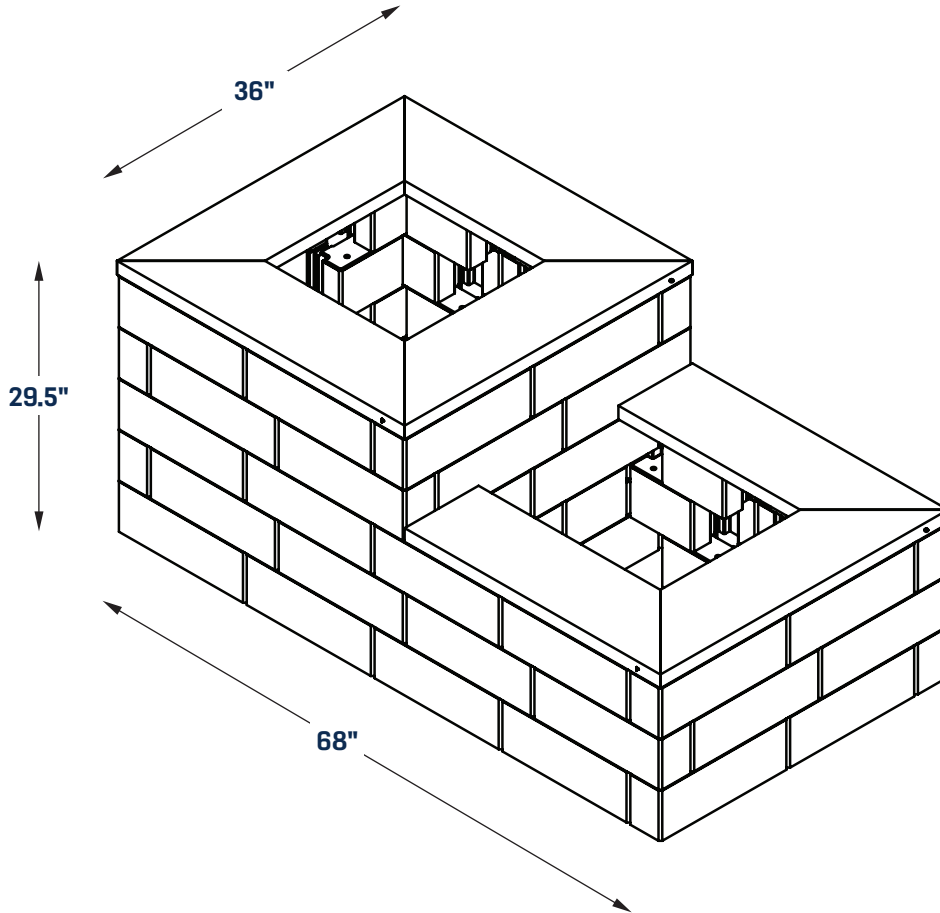
# T-BLOCK



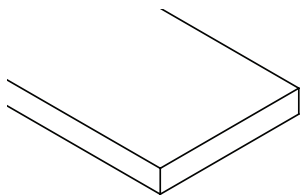
**TWO-LEVEL  
PLANTER**

# T-BLOCK

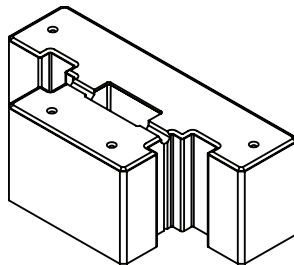
## TWO-LEVEL PLANTER



### COMPONENTS



2" x 10" x 8" (x2)



T-Block (x58)



No.8 x 3" (x6)

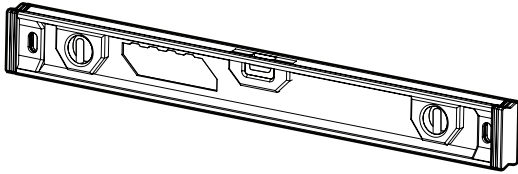


Glue Tube

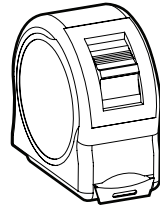
# T-BLOCK

## TWO-LEVEL PLANTER

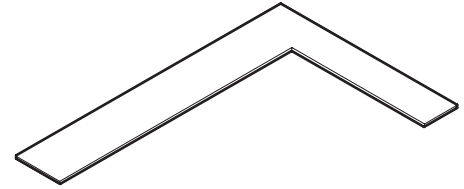
### REQUIRED TOOLS



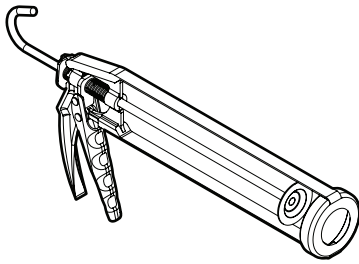
**LEVEL**



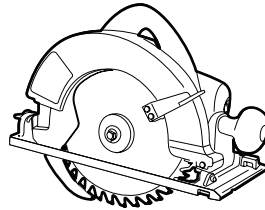
**MEASURING  
TAPE**



**CARPENTER  
SQUARE**



**SILICONE  
GUN**

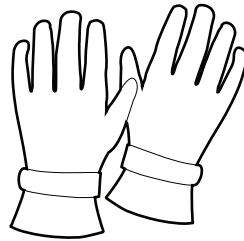


**SKILSAW**

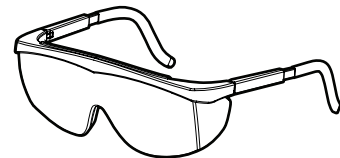
### SAFETY EQUIPMENT



**SAFETY BOOTS**



**GLOVES**

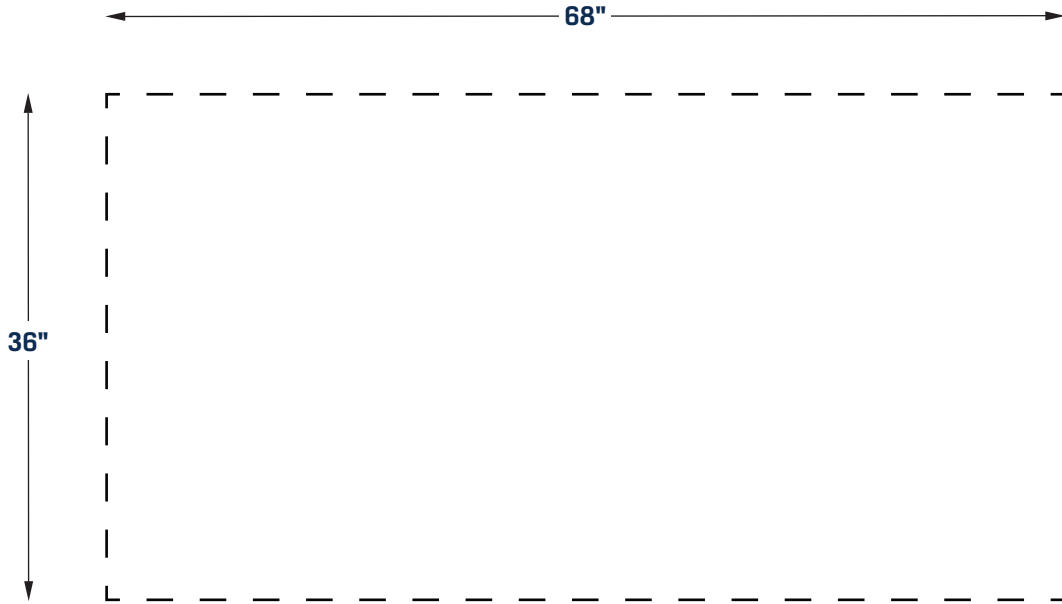


**SAFETY GLASSES**

# T-BLOCK

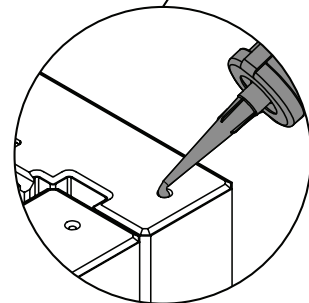
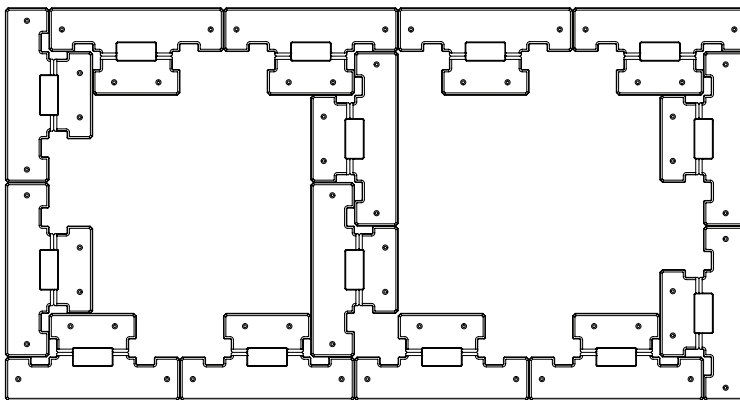
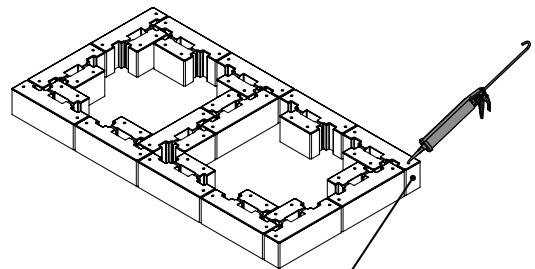
## TWO-LEVEL PLANTER

1



2

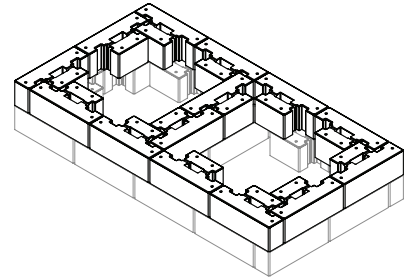
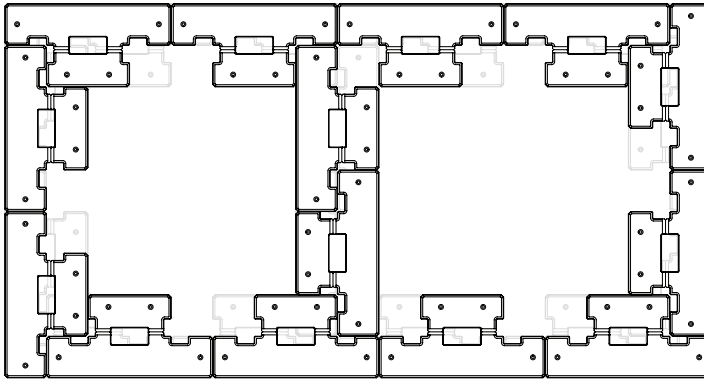
Do not forget to add glue in the cavities before laying down your next level.



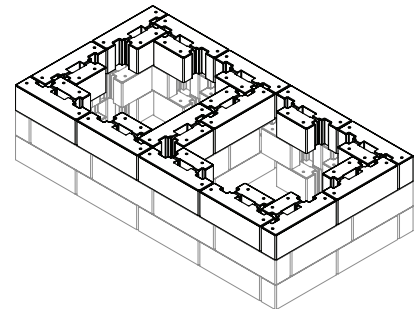
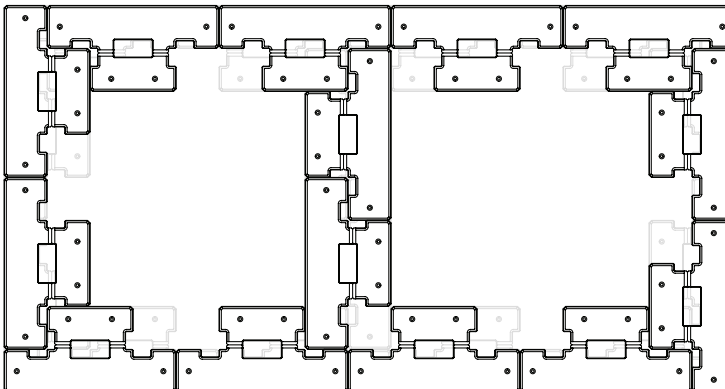
# T-BLOCK

## TWO-LEVEL PLANTER

- 3 Do not forget to add glue in the cavities before laying down your next level.



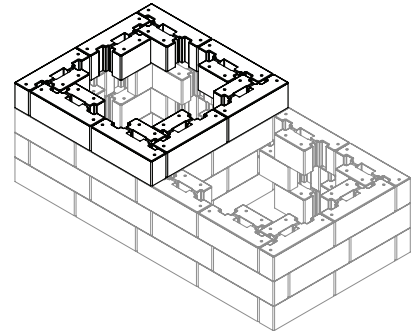
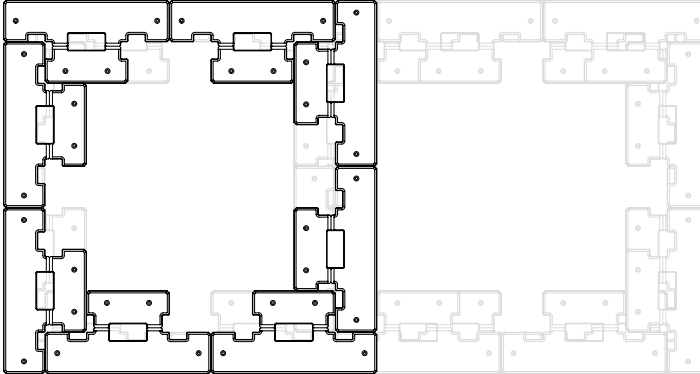
- 4 Do not forget to add glue in the cavities before laying down your next level.



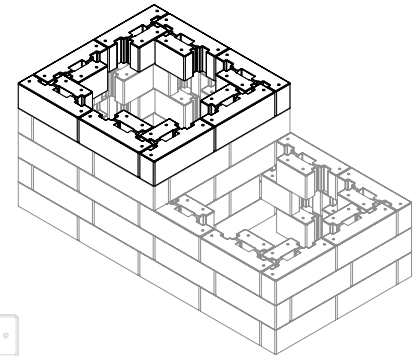
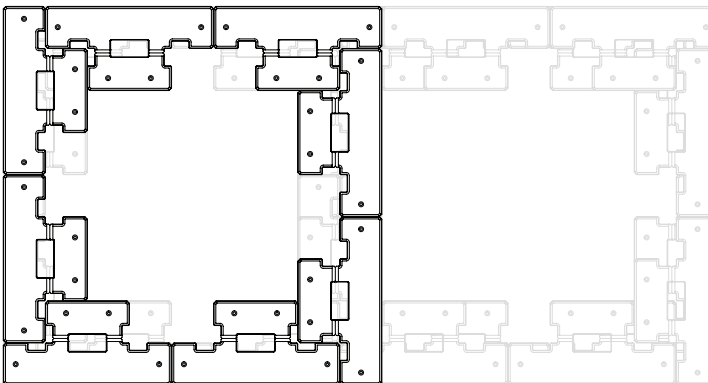
# T-BLOCK

## TWO-LEVEL PLANTER

- 5 Do not forget to add glue in the cavities before laying down your next level.



- 6 Do not forget to add glue in the cavities before laying down your next level.

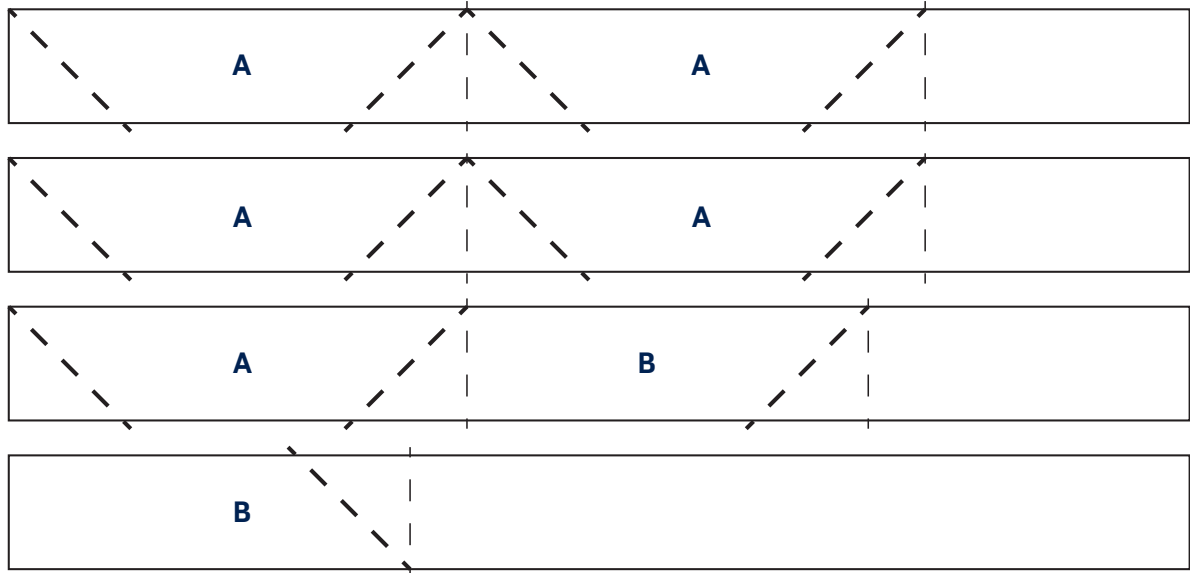
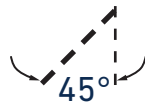


# T-BLOCK

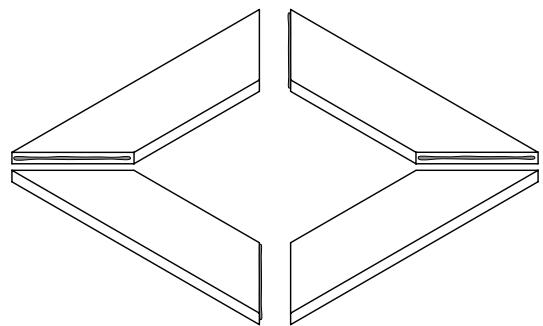
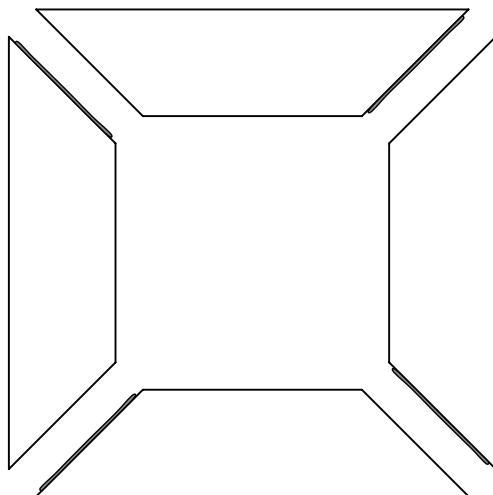
## TWO-LEVEL PLANTER

### WOOD CUTS

□ 2" x 10" x 8'  
A = 37 $\frac{1}{4}$ "  
B = 32 $\frac{5}{8}$ "



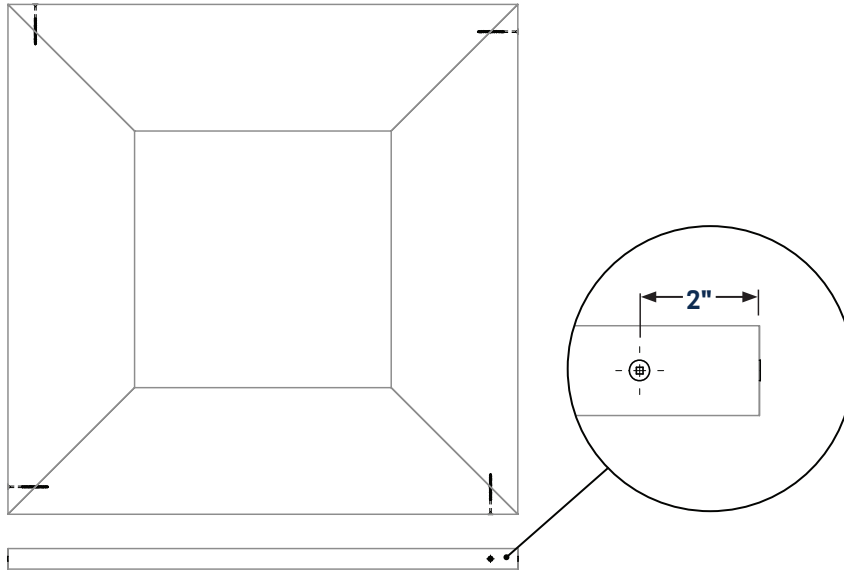
- 7 Put the angle pieces together to create the frame shape, keeping all edges aligned while the glue sets.



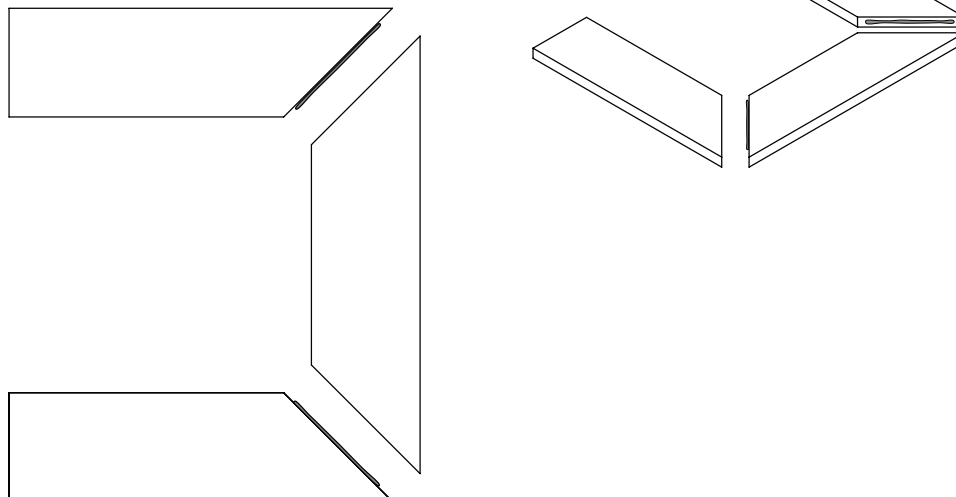
# T-BLOCK

## TWO-LEVEL PLANTER

- 8 Add the screws in each corner, making sure they go through the middle of the boards for a solid connection.



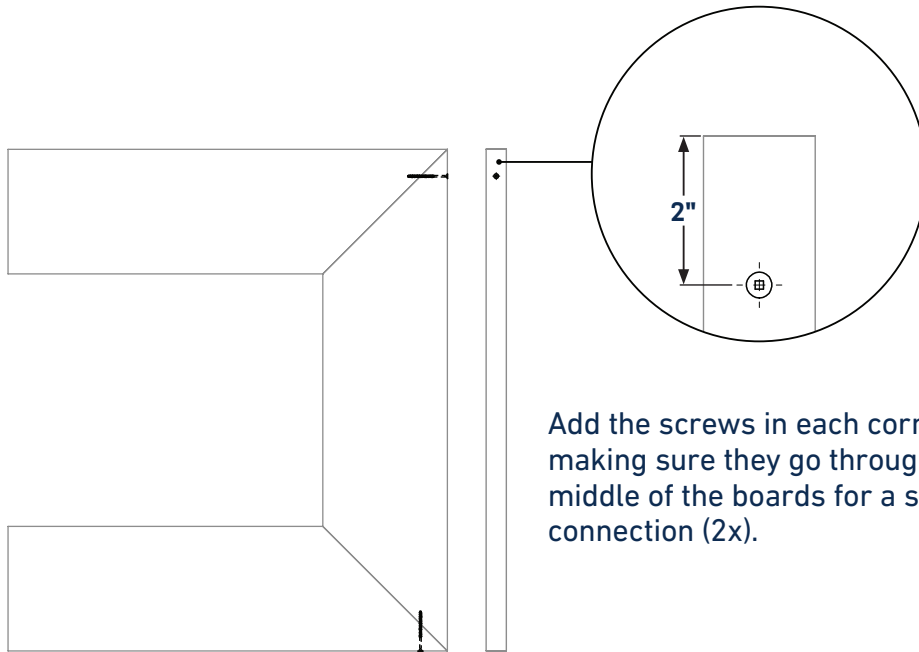
- 9 Put the angle pieces together to create the frame shape, keeping all edges aligned while the glue sets (2x).



# T-BLOCK

## TWO-LEVEL PLANTER

10



Add the screws in each corner, making sure they go through the middle of the boards for a solid connection (2x).

11

Do not forget to add glue in the cavities before laying down the frames.

