



BELGARD®
PAVES THE WAY™

T-BLOCK



**TWO LEVEL L-PLANTER
WITH BENCH**

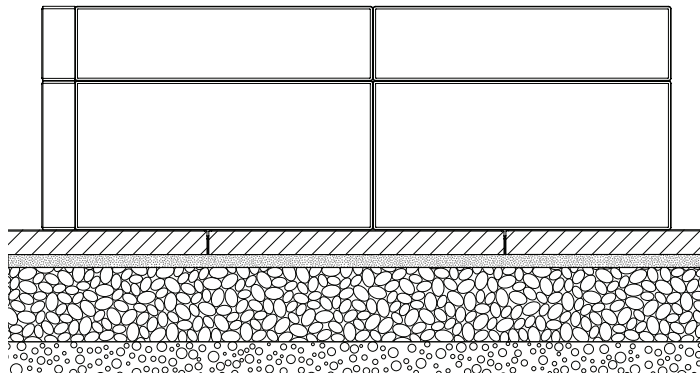
T-BLOCK

COMPLETE THIS STEP
FIRST FOR ALL PROJECTS

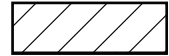
BASE PREPARATION

Always level ground before installation

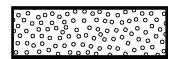
ON NEW OR EXISTING PATIO



SLAB OR PAVER



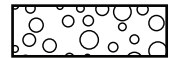
BEDDING SAND 1"



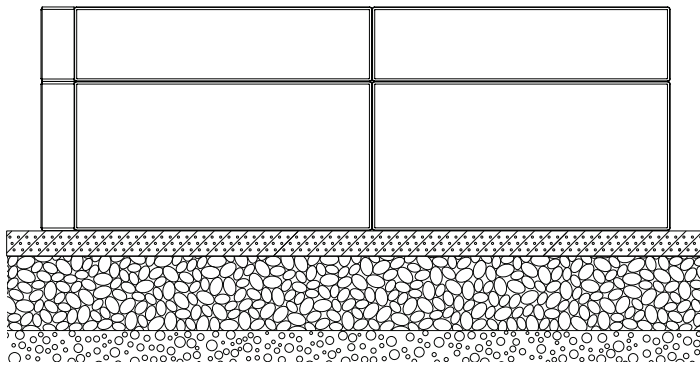
COMPACTED AGGREGATES 6"-8"



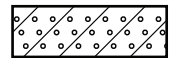
SOIL



ON POURED CONCRETE



REINFORCED POURED CONCRETE FOUNDATION 2"



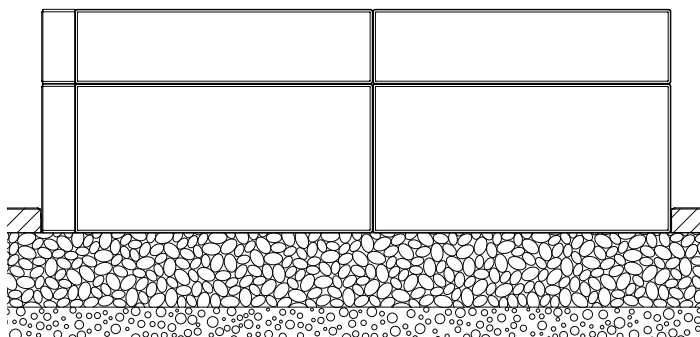
COMPACTED AGGREGATES 6"-8"



SOIL



ON COMPACTED FOUNDATION



SLAB OR PAVER



COMPACTED AGGREGATES 6"-8"



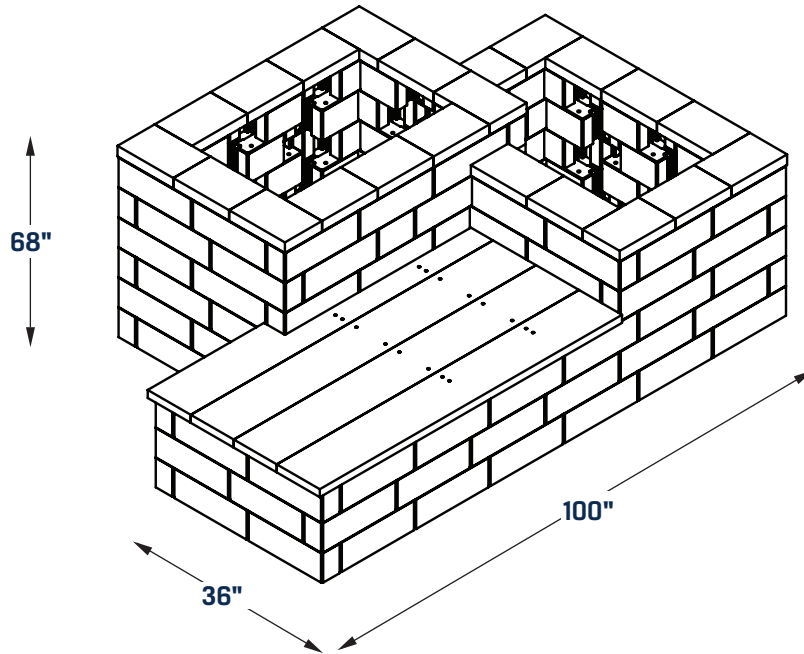
SOIL



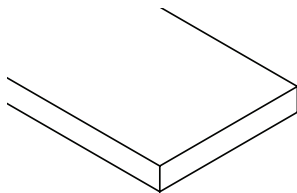


T-BLOCK

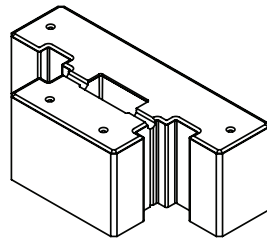
TWO LEVEL-PLANTER
WITH BENCH



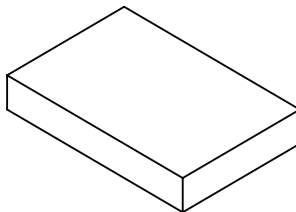
COMPONENTS



2" x 10" x 8' (x4)



T-Block (x132)



Cap (x22)



Glue Tube

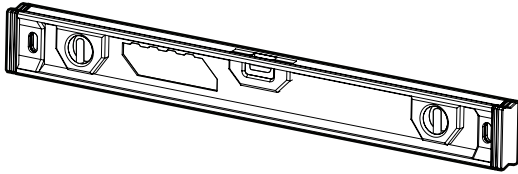


No.8 x 3" (x16)

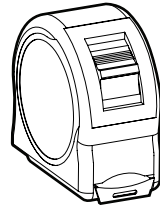
T-BLOCK

TWO LEVEL-PLANTER WITH BENCH

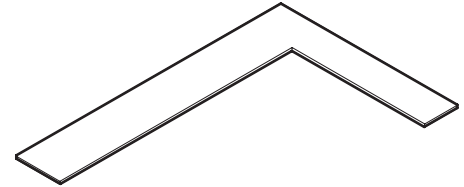
REQUIRED TOOLS



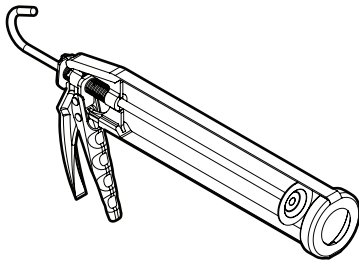
LEVEL



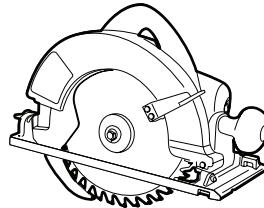
**MEASURING
TAPE**



**CARPENTER
SQUARE**



**SILICONE
GUN**

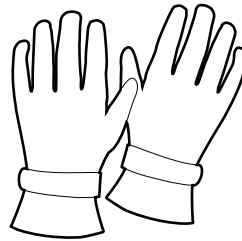


SKILSAW

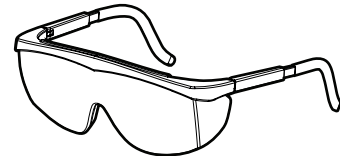
SAFETY EQUIPMENT



SAFETY BOOTS



GLOVES

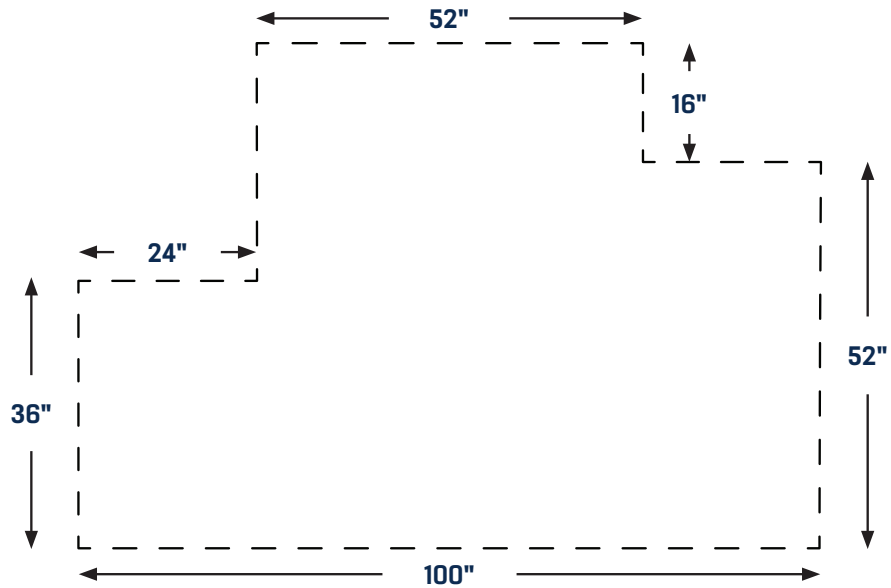


SAFETY GLASSES

T-BLOCK

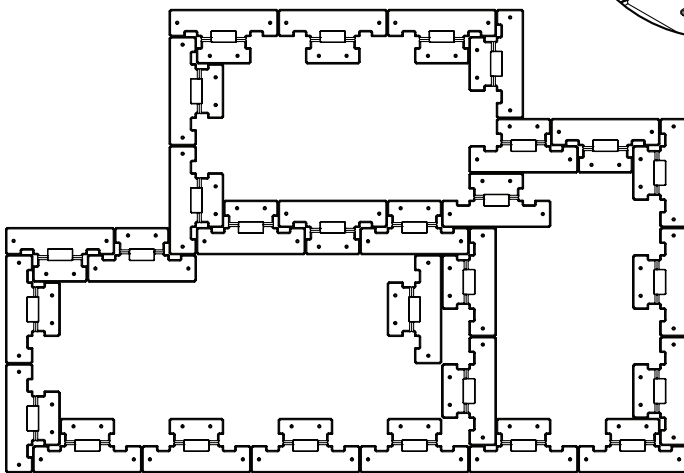
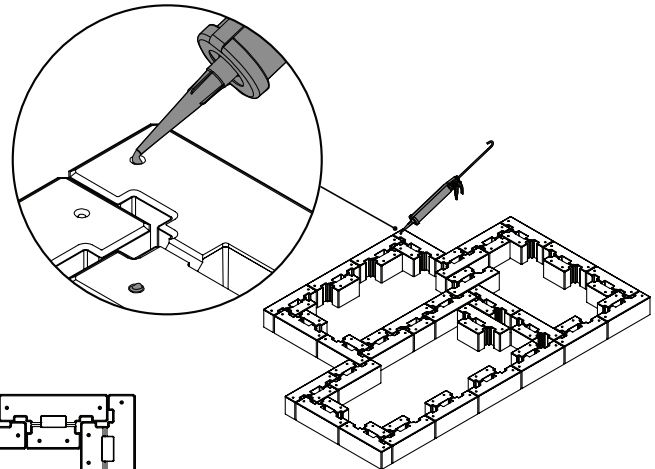
TWO LEVEL-PLANTER WITH BENCH

1



2

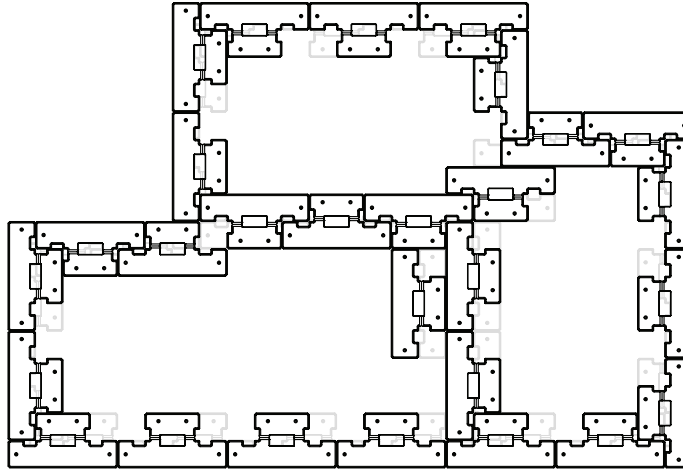
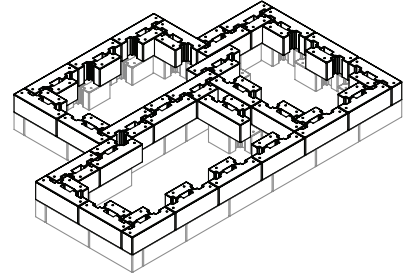
Do not forget to add glue in the cavities before laying down your next level.



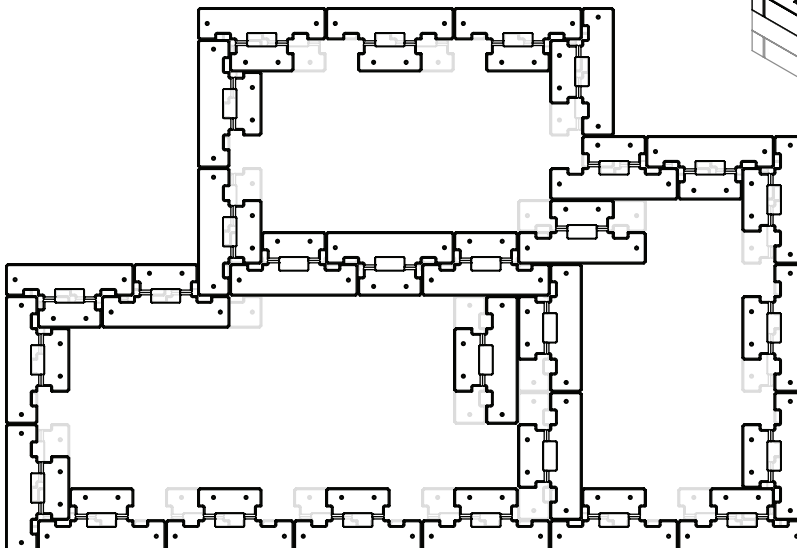
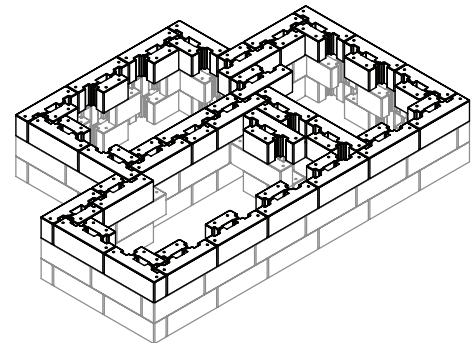
T-BLOCK

TWO LEVEL-PLANTER WITH BENCH

- 3 Do not forget to add glue in the cavities before laying down your next level.



- 4 Do not forget to add glue in the cavities before laying down your next level.

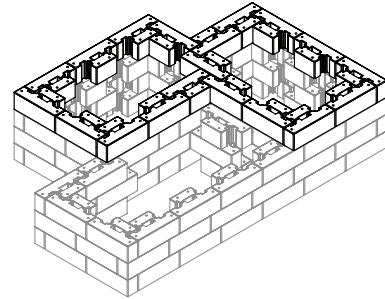
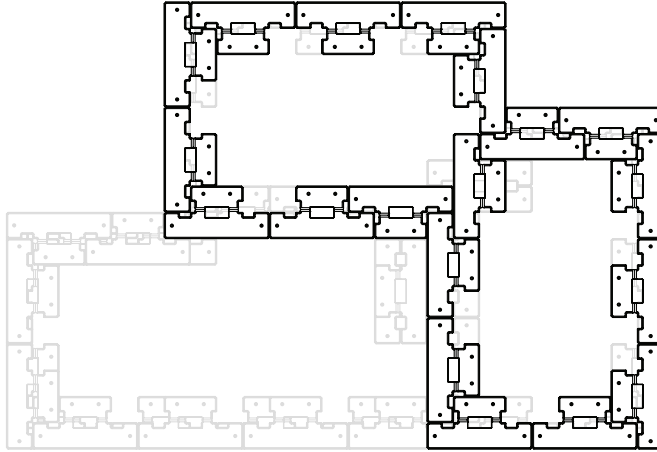




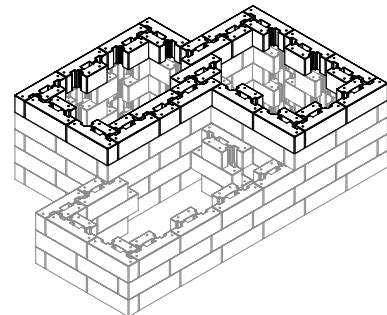
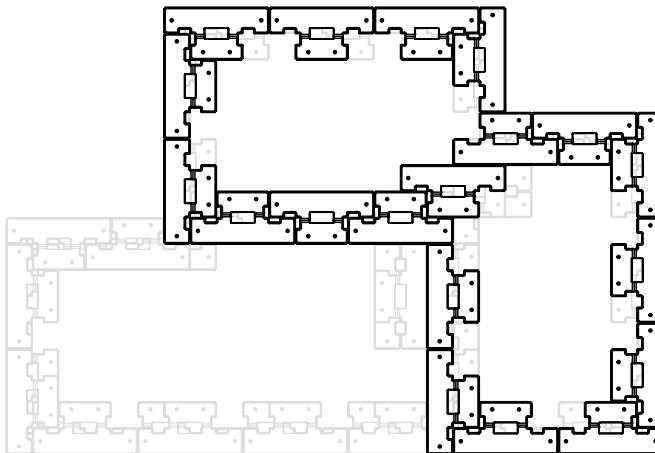
T-BLOCK

TWO LEVEL-PLANTER WITH BENCH

- 5 Do not forget to add glue in the cavities before laying down your next level.



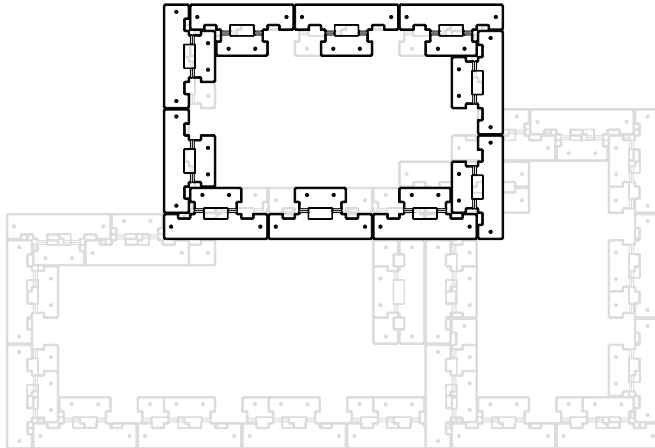
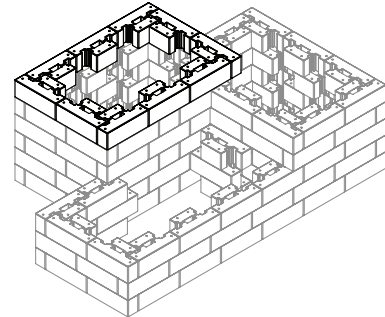
- 6 Do not forget to add glue in the cavities before laying down your next level.



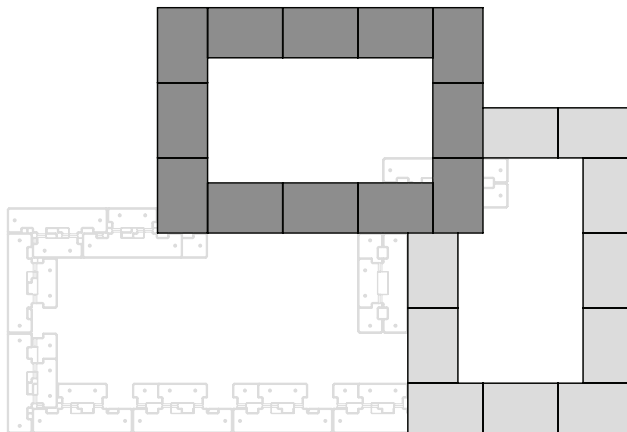
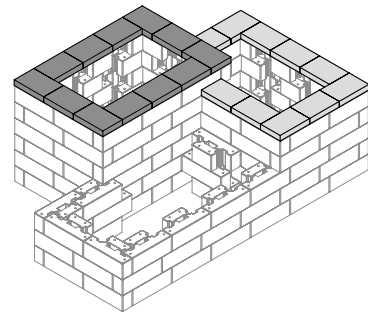
T-BLOCK

TWO LEVEL-PLANTER WITH BENCH

- 7 Do not forget to add glue in the cavities before laying down your next level.



- 8 Do not forget to add glue in the cavities before laying down your next level.



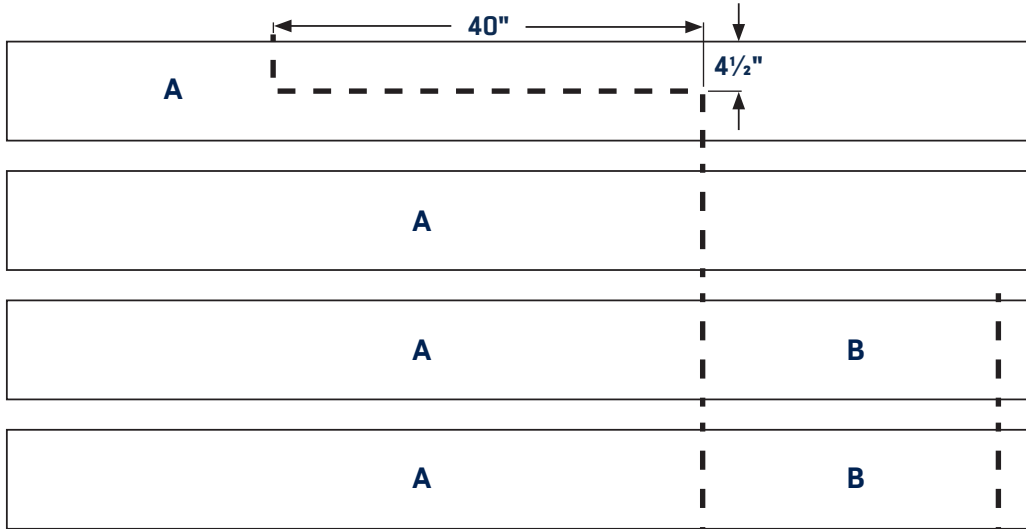
T-BLOCK

TWO LEVEL-PLANTER WITH BENCH

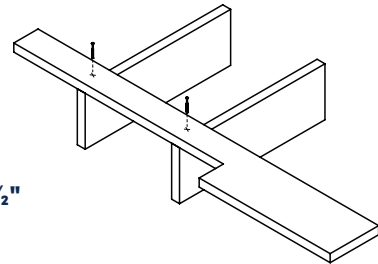
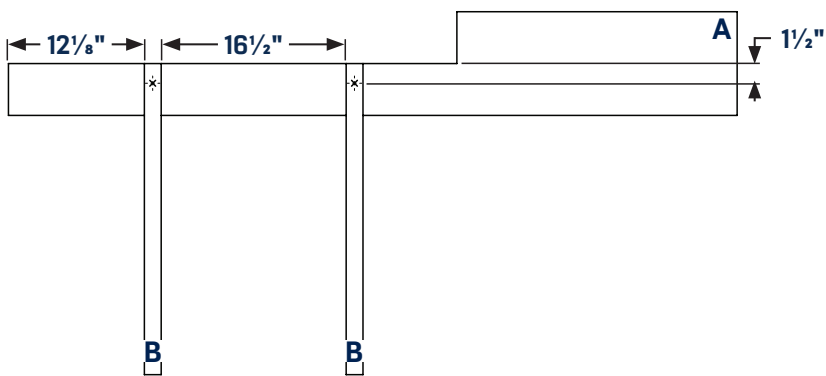
WOOD CUTS

A = 65"

B = 27³/₄"



9

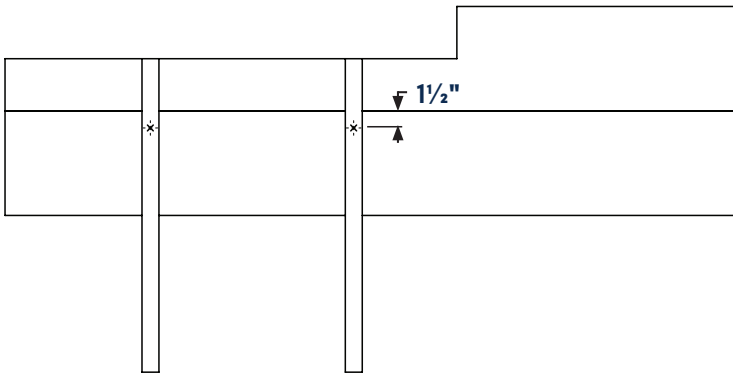
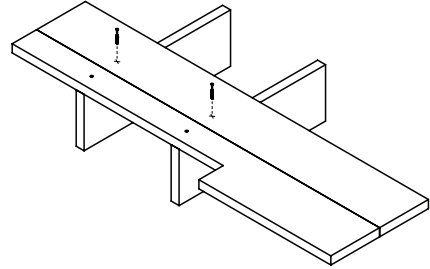




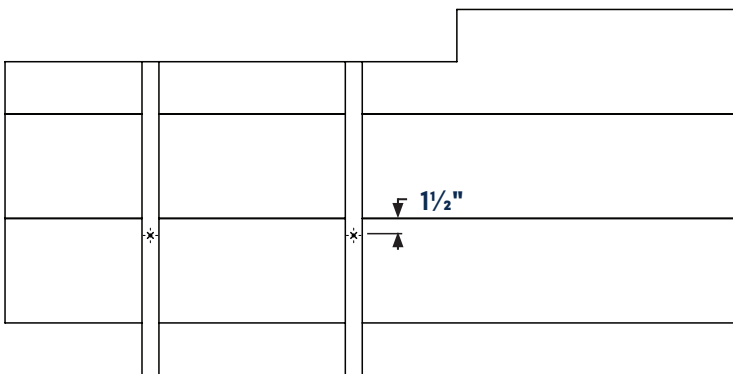
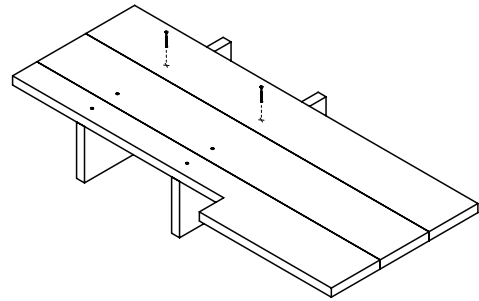
T-BLOCK

TWO LEVEL-PLANTER WITH BENCH

10



11

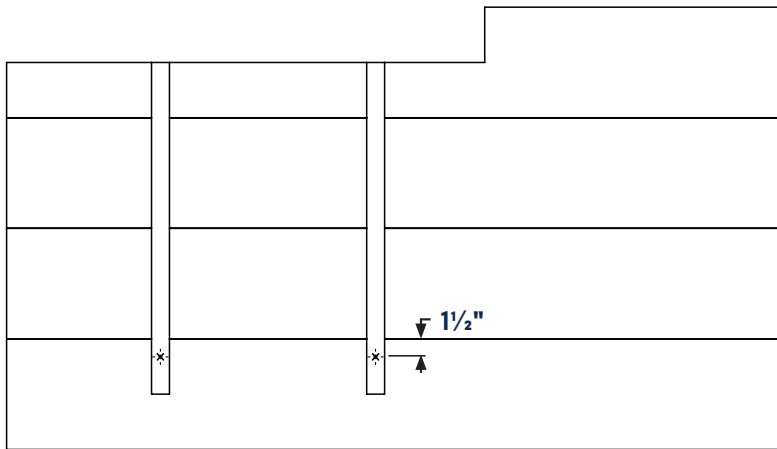
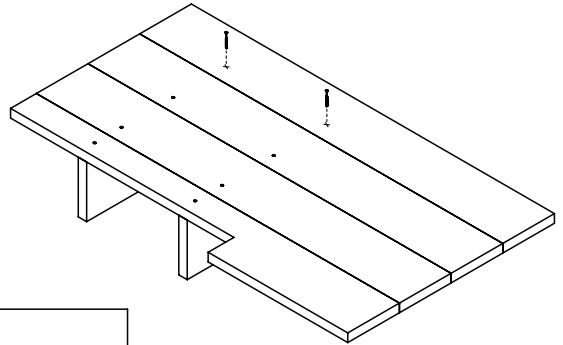




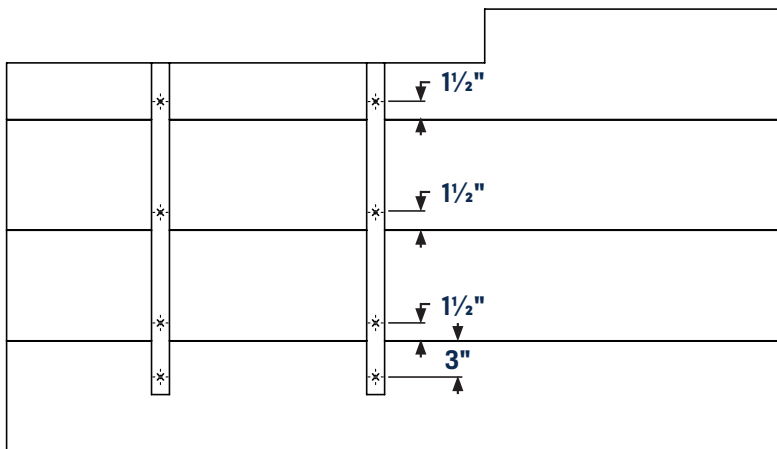
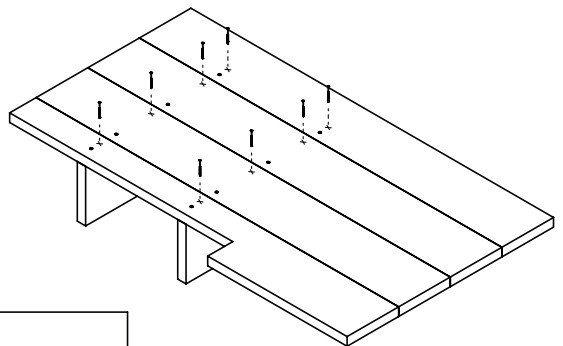
T-BLOCK

TWO LEVEL-PLANTER WITH BENCH

10



11

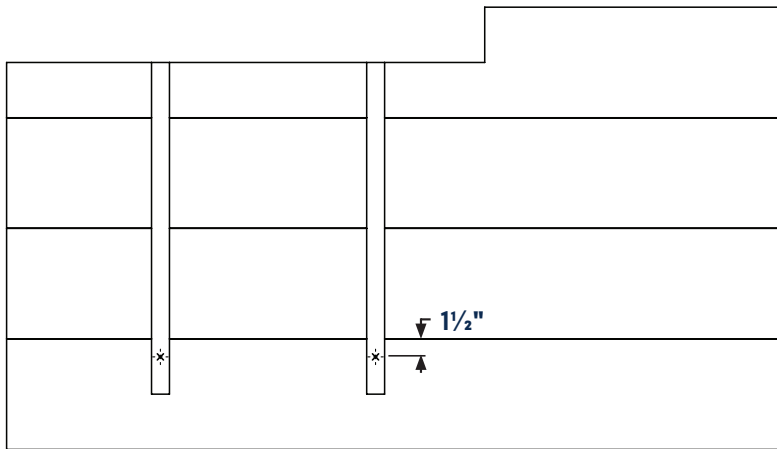
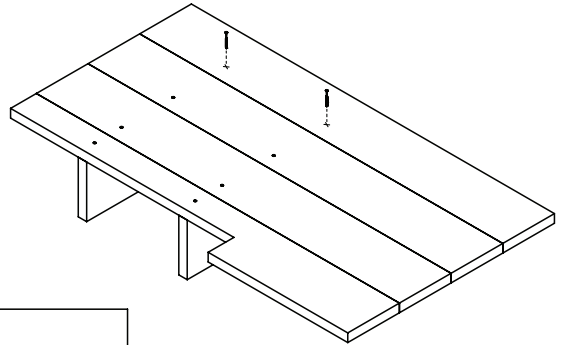




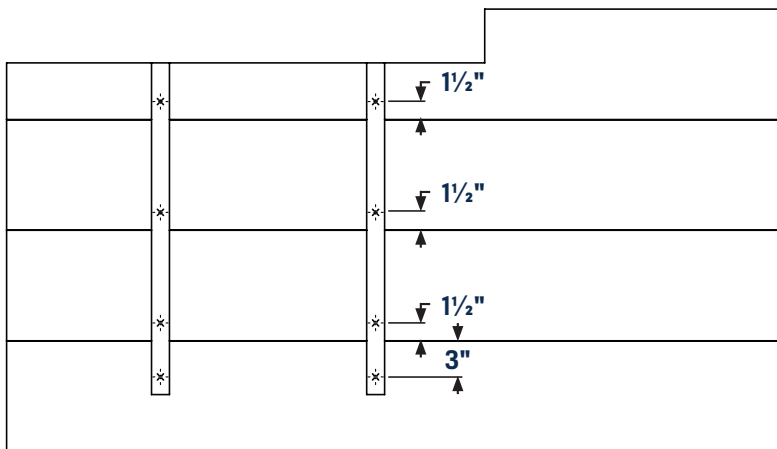
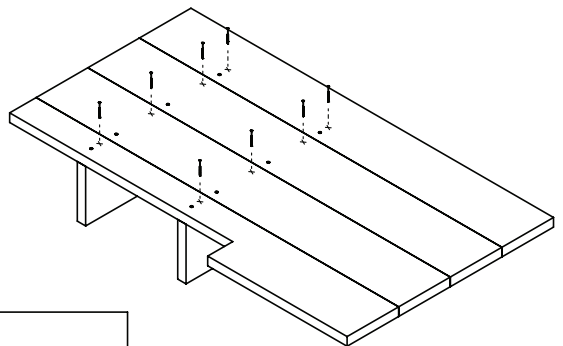
T-BLOCK

TWO LEVEL-PLANTER WITH BENCH

12



13





T-BLOCK

TWO LEVEL L-PLANTER WITH BENCH

- 14 Do not forget to add glue in the cavities before laying down your seat.

