



BELGARD®
PAVES THE WAY™

T-BLOCK



**SOFA FOR
STRINGING LIGHTS**

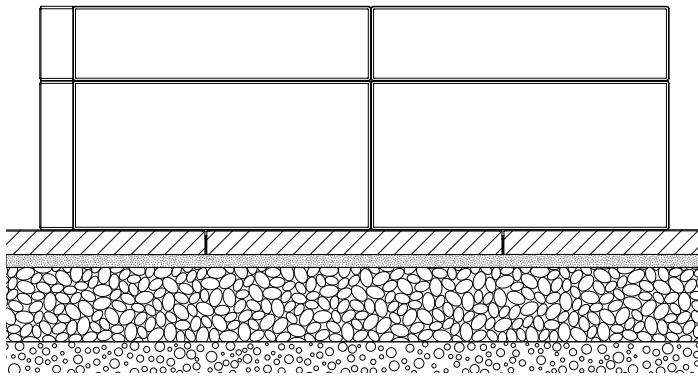
T-BLOCK

COMPLETE THIS STEP
FIRST FOR ALL PROJECTS

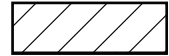
BASE PREPARATION

Always level ground before installation

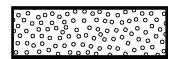
ON NEW OR EXISTING PATIO



SLAB OR PAVER



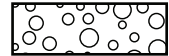
BEDDING SAND 1"



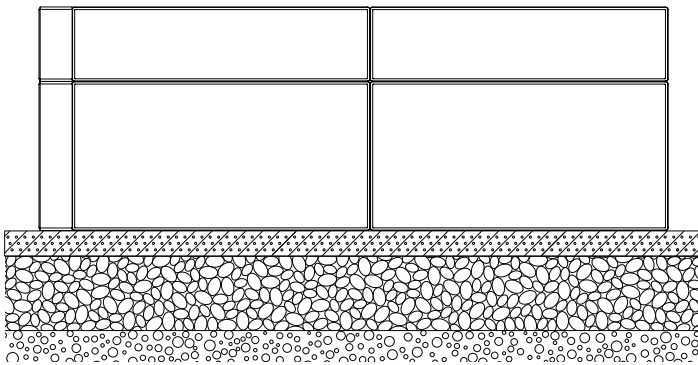
COMPACTED AGGREGATES 6"-8"



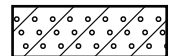
SOIL



ON POURED CONCRETE



REINFORCED POURED CONCRETE FOUNDATION 2"



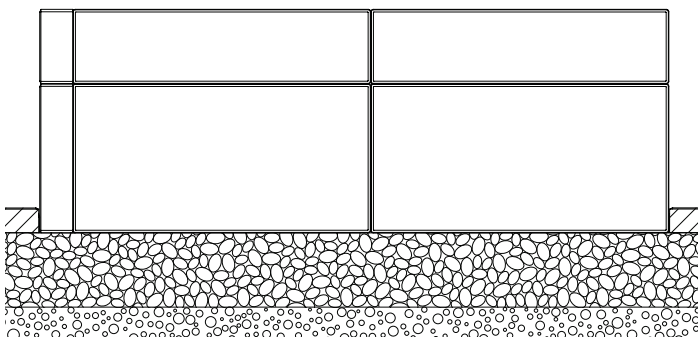
COMPACTED AGGREGATES 6"-8"



SOIL



ON COMPACTED FOUNDATION



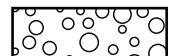
SLAB OR PAVER



COMPACTED AGGREGATES 6"-8"

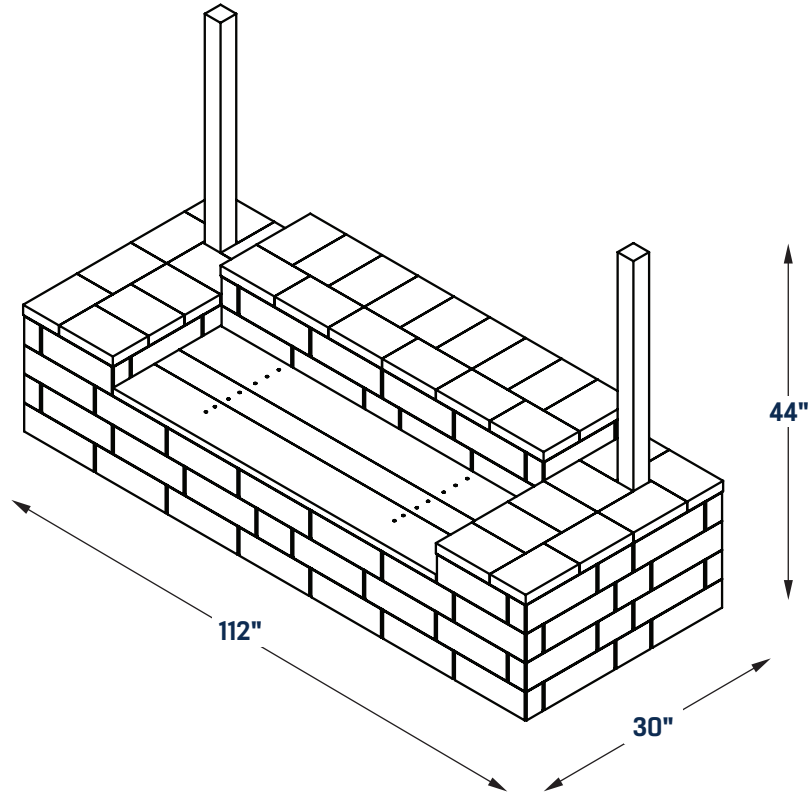


SOIL

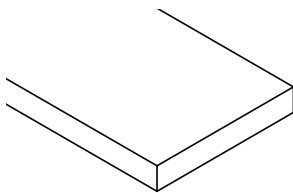


T-BLOCK

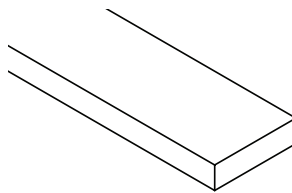
SOFA FOR
STRINGING LIGHTS



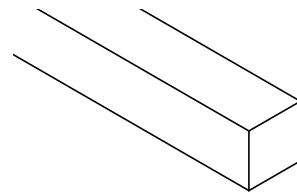
COMPONENTS



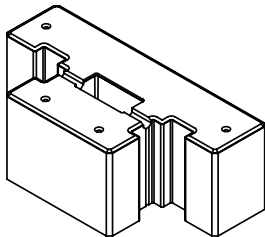
2" x 10" x 8' (x2)



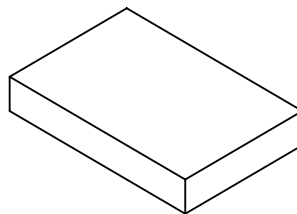
2" x 6" x 8' (x1)



4" x 4" x 8' (x2)



T-Block (x130)



Cap (x33)



Glue Tube

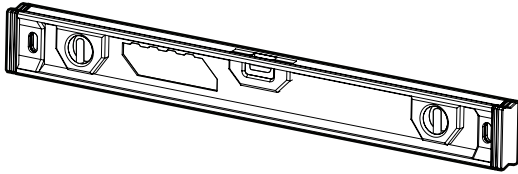


No.8 x 2 1/2" (x14)

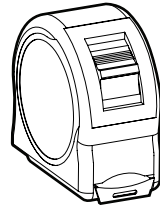
T-BLOCK

SOFA FOR STRINGING LIGHTS

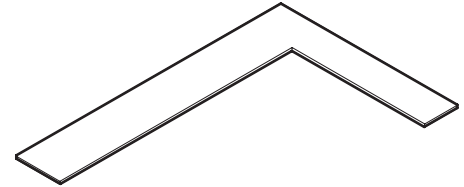
REQUIRED TOOLS



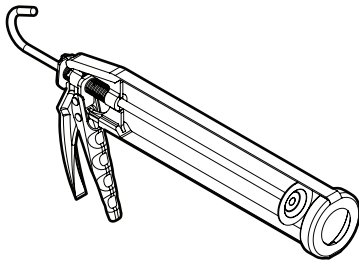
LEVEL



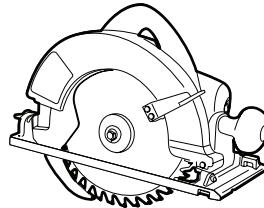
**MEASURING
TAPE**



**CARPENTER
SQUARE**



**SILICONE
GUN**

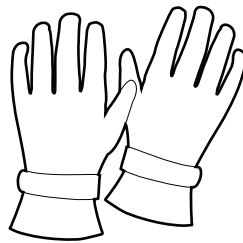


SKILLSAW

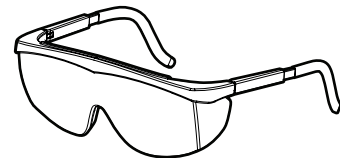
SAFETY EQUIPMENT



SAFETY BOOTS



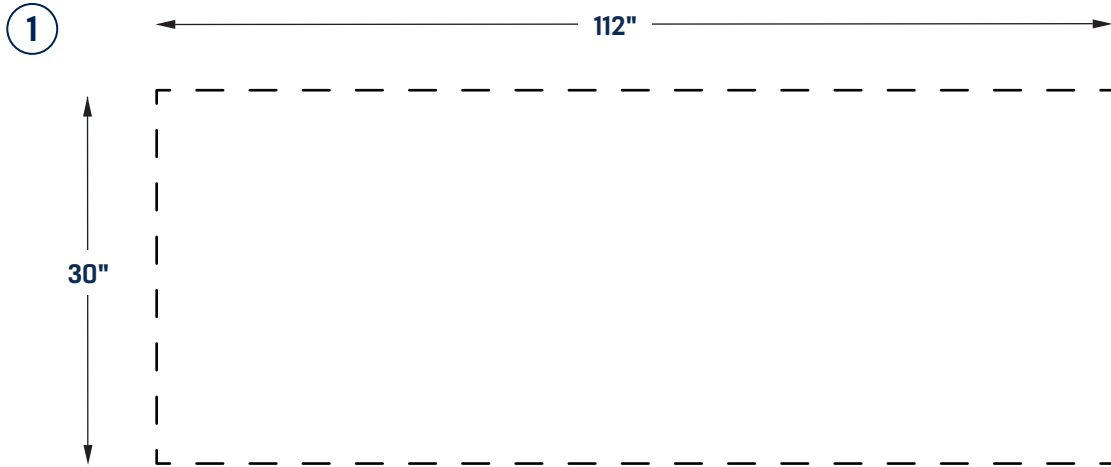
GLOVES



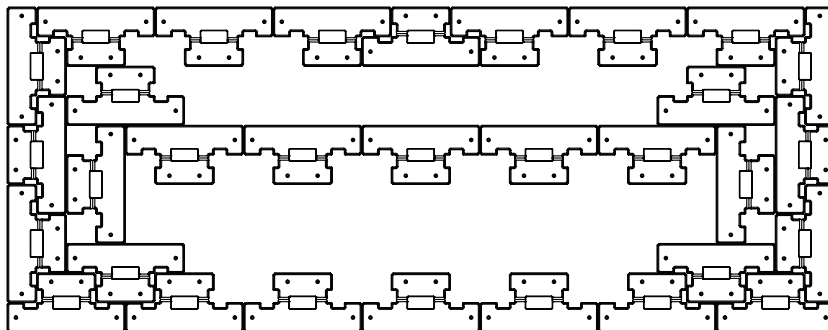
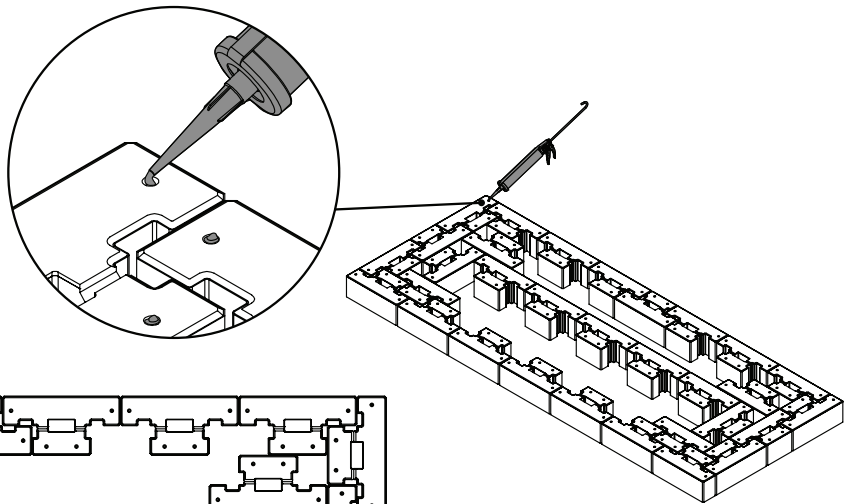
SAFETY GLASSES

T-BLOCK

SOFA FOR STRINGING LIGHTS



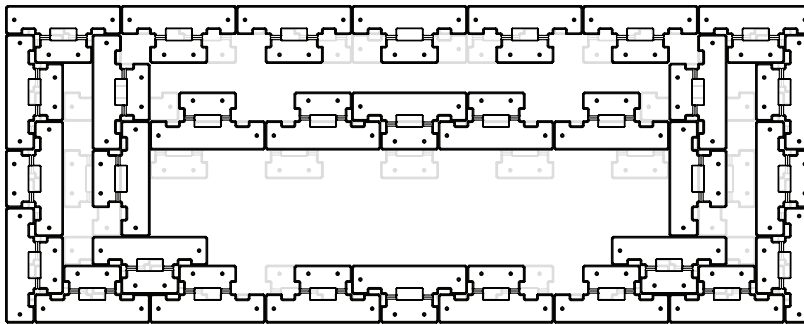
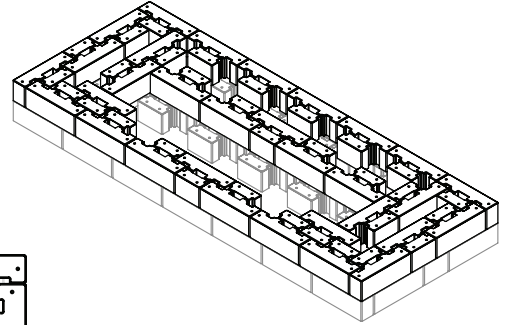
- ② Do not forget to add glue in the cavities before laying down your next row.



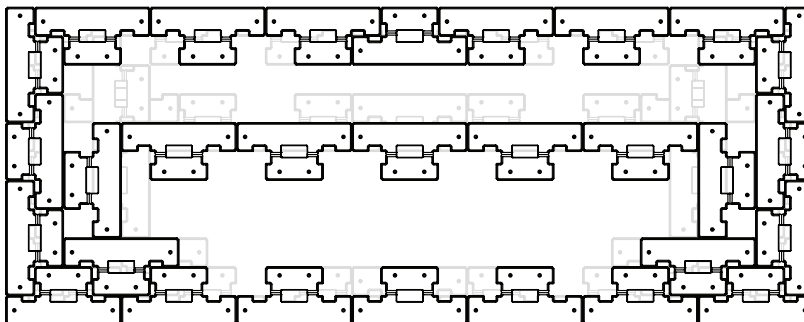
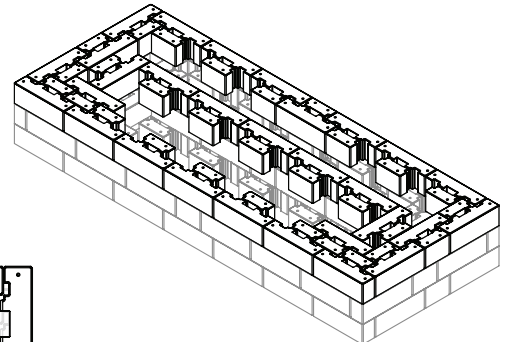
T-BLOCK

SOFA FOR STRINGING LIGHTS

- 3 Do not forget to add glue in the cavities before laying down your next row.






- 4 Do not forget to add glue in the cavities before laying down your next row.

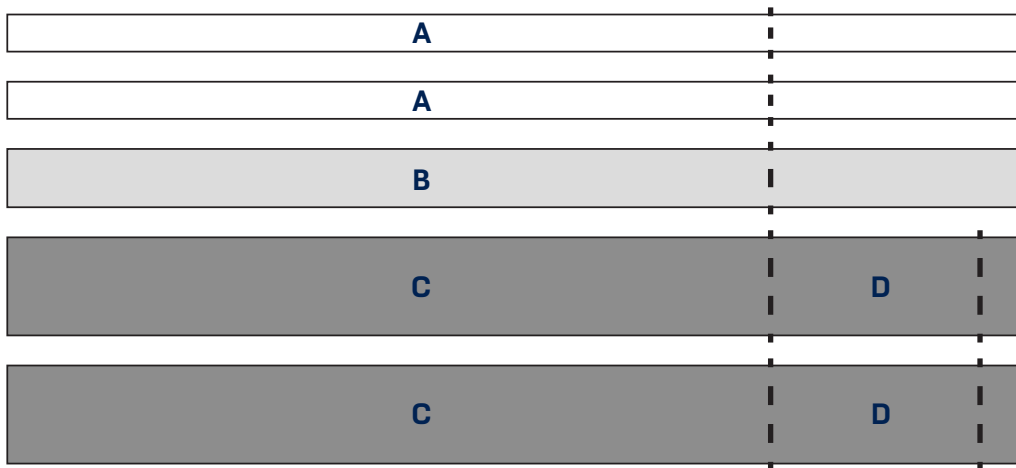


T-BLOCK

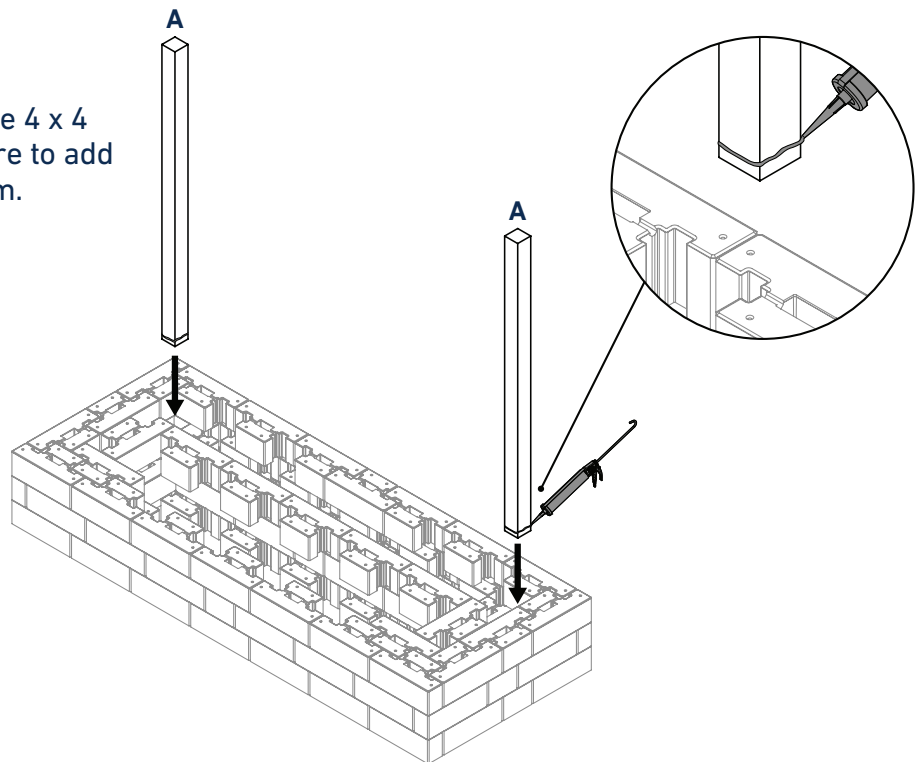
SOFA FOR STRINGING LIGHTS

WOOD CUTS

-  4" x 4" x 8' A = 72" C = 72"
-  2" x 6" x 8' B = 72" D = 19³/₄"
-  2" x 10" x 8'



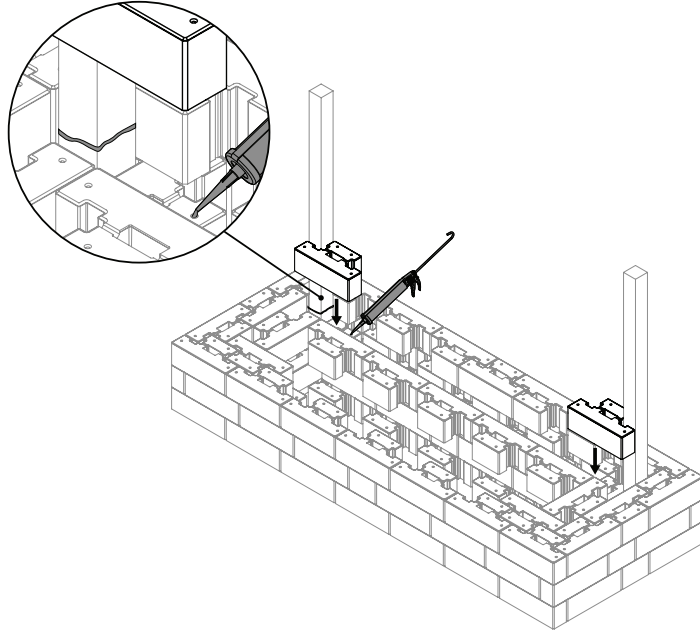
- 5 Before placing the 4 x 4 lumber, make sure to add glue at the bottom.



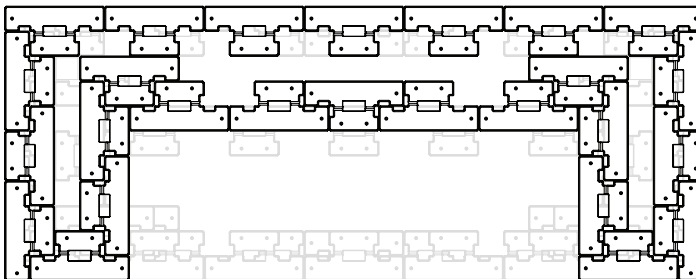
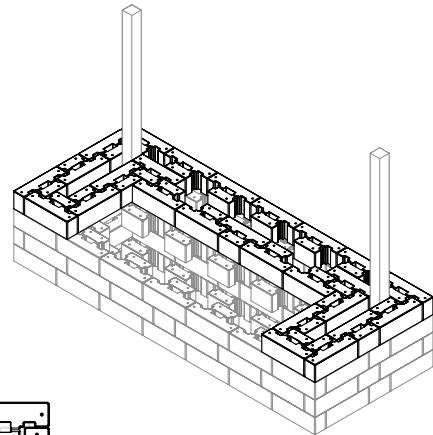
T-BLOCK

SOFA FOR STRINGING LIGHTS

- 6 Before laying the block, apply glue on the 4"x 4" side and in the cavities where the next block will touch.



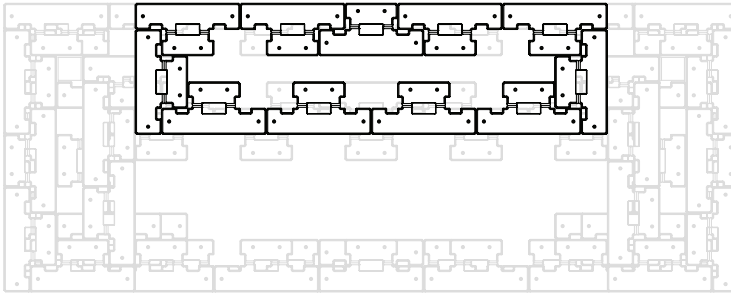
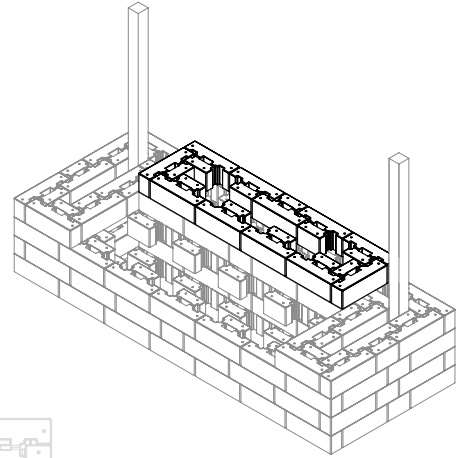
- 7 Do not forget to add glue in the cavities before laying down your next row.



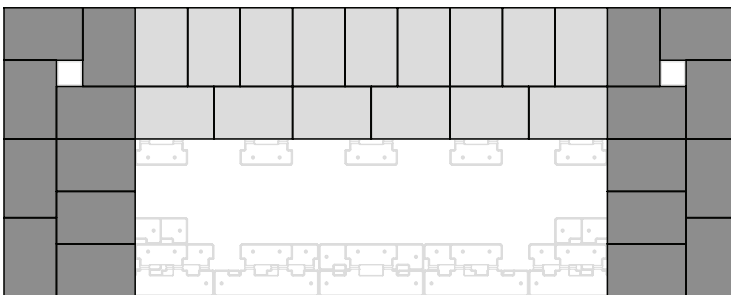
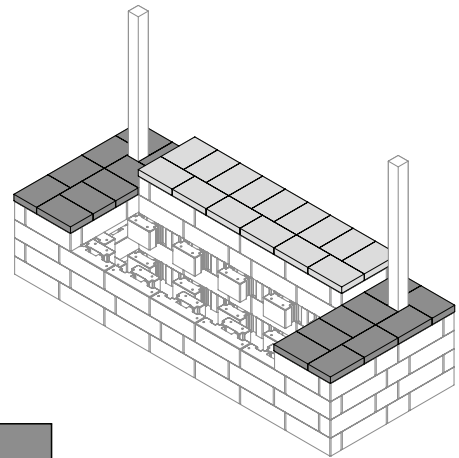
T-BLOCK

SOFA FOR STRINGING LIGHTS

- 8 Do not forget to add glue in the cavities before laying down your next row.



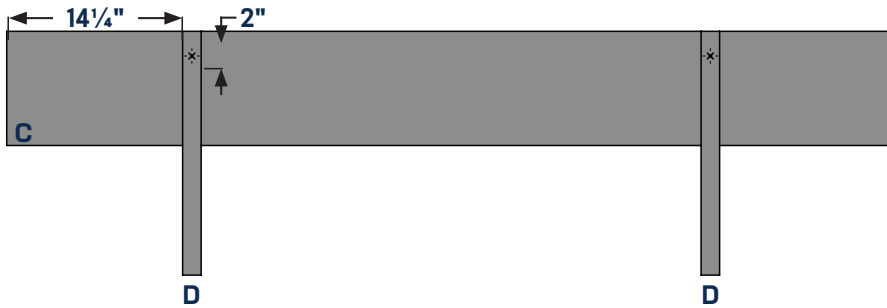
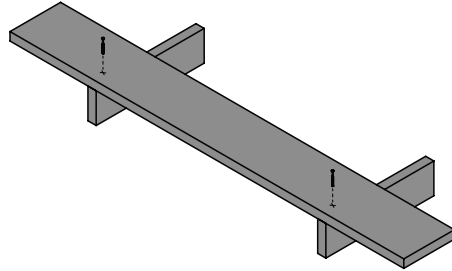
- 9 Do not forget to add glue in the cavities before laying down your next row.



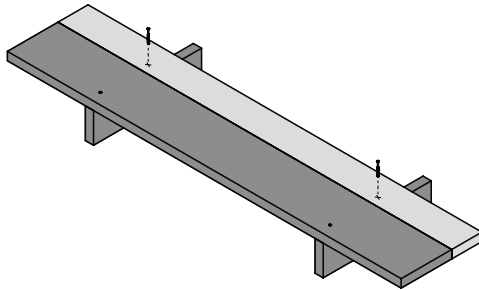
T-BLOCK

SOFA FOR
STRINGING LIGHTS

10



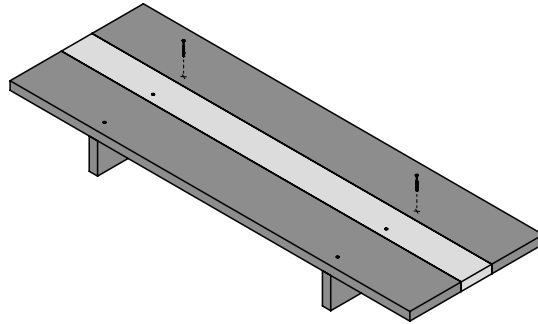
11



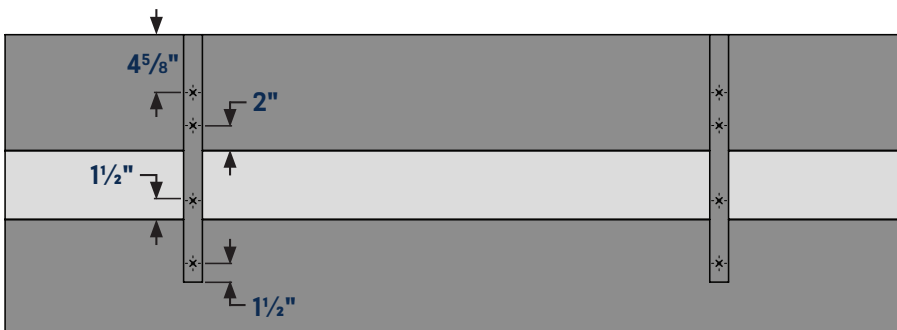
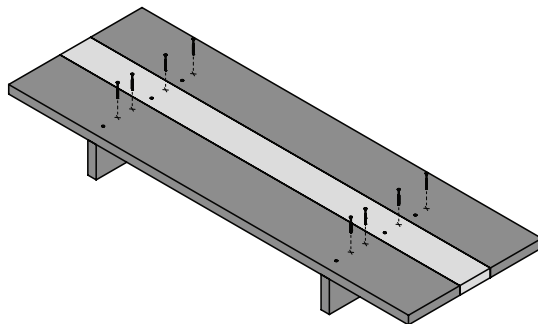
T-BLOCK

SOFA FOR STRINGING LIGHTS

12



13



T-BLOCK

SOFA FOR STRINGING LIGHTS

- 14 Do not forget to add glue in the cavities before laying down your next row.

