



BELGARD®
PAVES THE WAY™

T-BLOCK



COLUMN

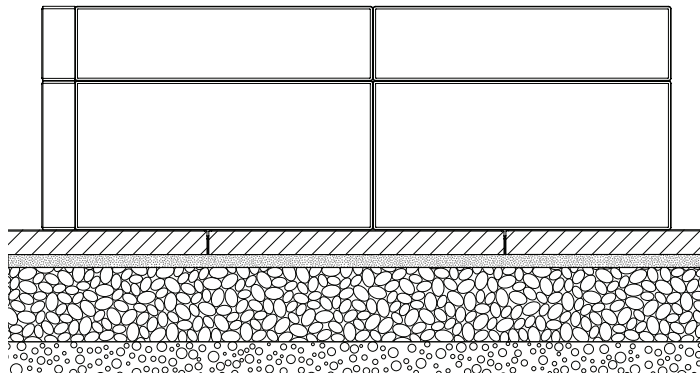
T-BLOCK

COMPLETE THIS STEP
FIRST FOR ALL PROJECTS

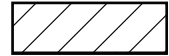
BASE PREPARATION

Always level ground before installation

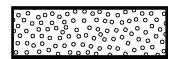
ON NEW OR EXISTING PATIO



SLAB OR PAVER



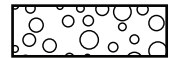
BEDDING SAND 1"



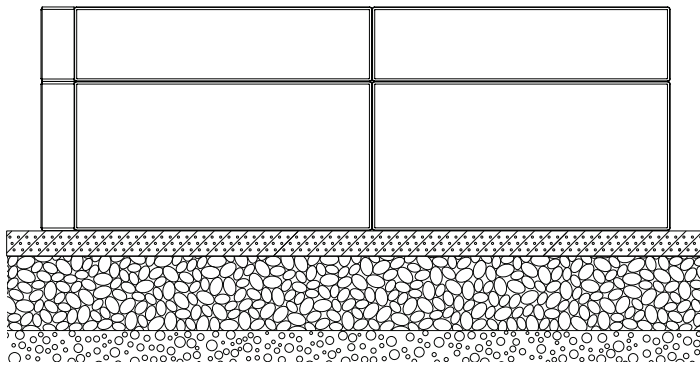
COMPACTED AGGREGATES 6"-8"



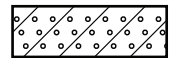
SOIL



ON POURED CONCRETE



REINFORCED POURED CONCRETE FOUNDATION 2"



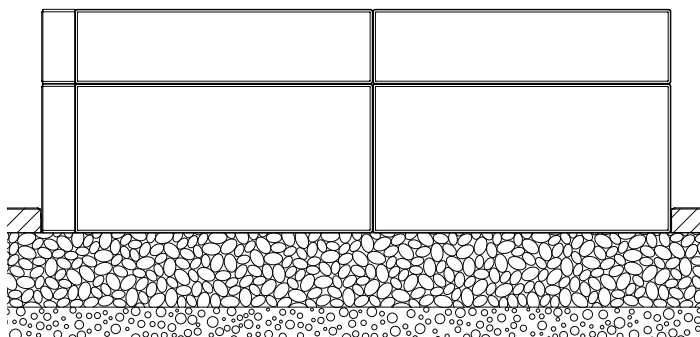
COMPACTED AGGREGATES 6"-8"



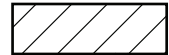
SOIL



ON COMPACTED FOUNDATION



SLAB OR PAVER



COMPACTED AGGREGATES 6"-8"

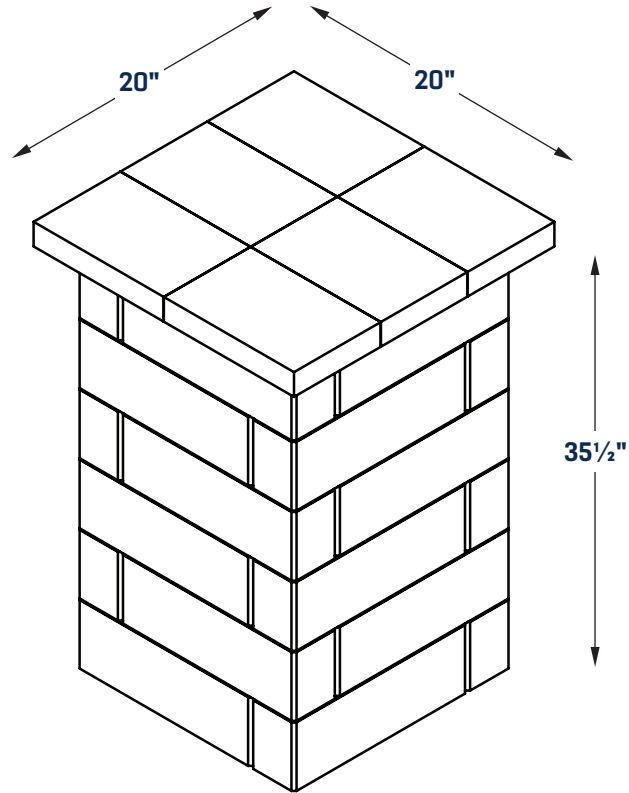


SOIL

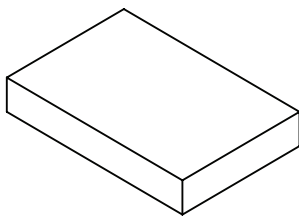


T-BLOCK

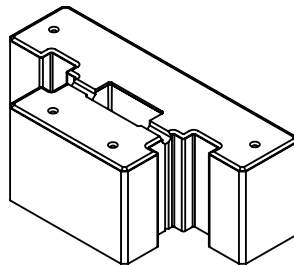
COLUMN



COMPONENTS



Cap (x6)



T-Block (x24)

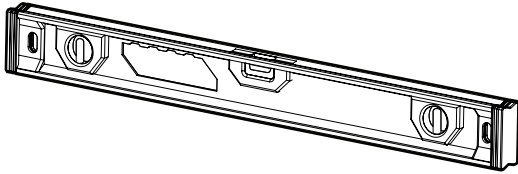


Glue Tube

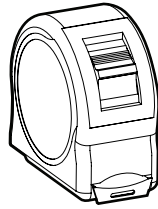
T-BLOCK

COLUMN

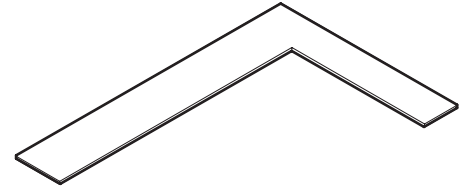
REQUIRED TOOLS



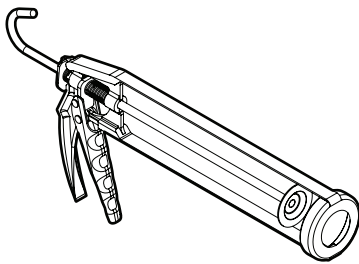
LEVEL



MEASURING
TAPE



CARPENTER
SQUARE

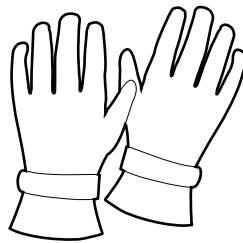


SILICONE
GUN

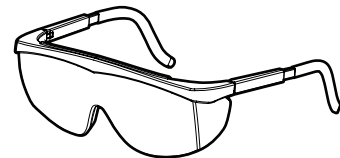
SAFETY EQUIPMENT



SAFETY BOOTS



GLOVES

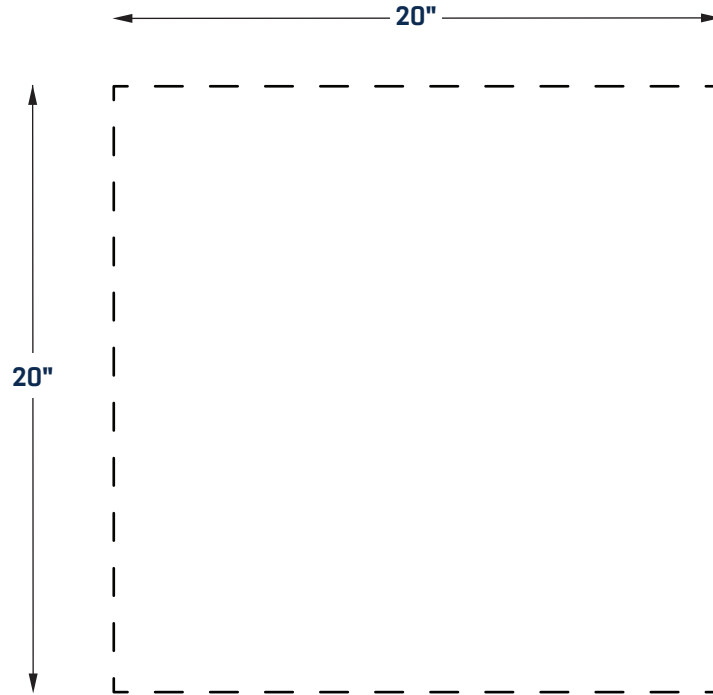


SAFETY GLASSES

T-BLOCK

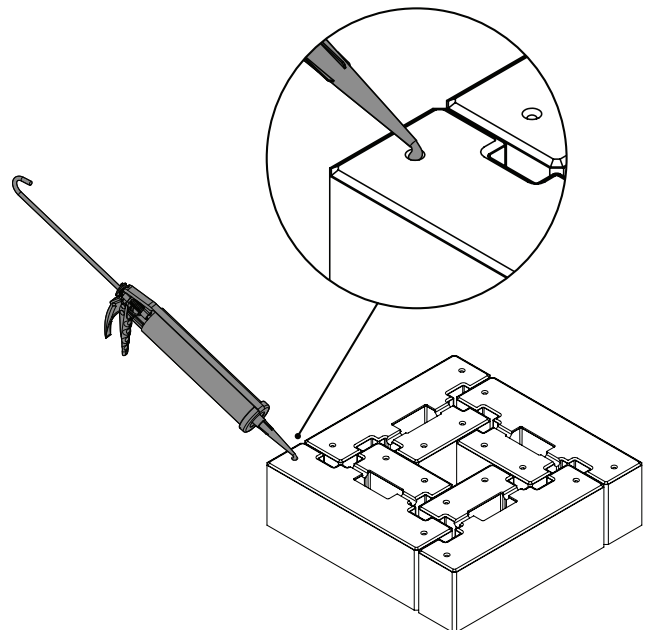
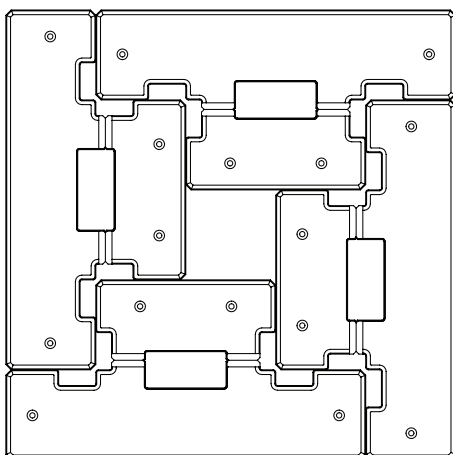
COLUMN

1



2

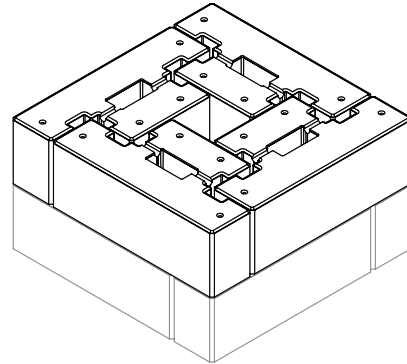
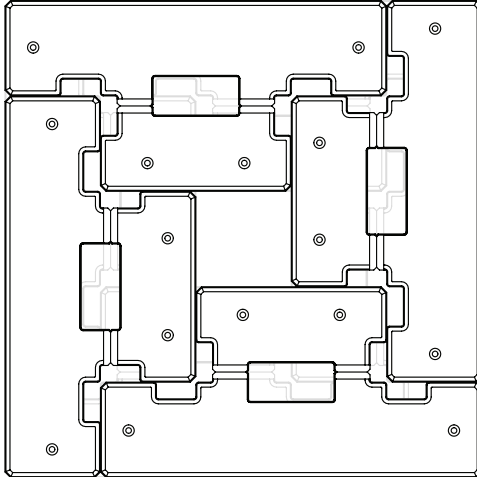
Do not forget to add glue in the cavities before laying down your next level.



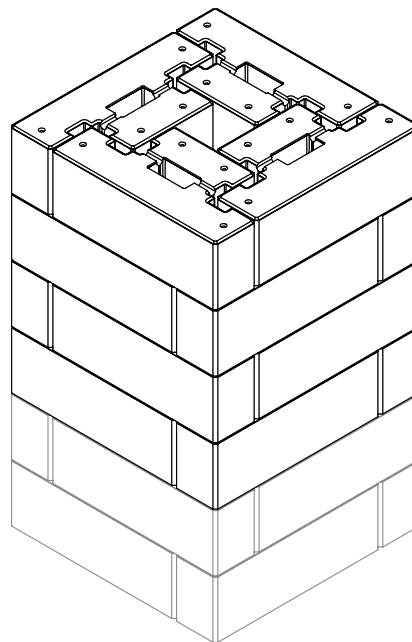
T-BLOCK

COLUMN

- 3 Do not forget to add glue in the cavities before laying down your next level.



- 4 Continue alternating steps 2 and 3 until you have 6 levels (3 of each). Don't forget to add glue in the cavities before each new level.



T-BLOCK

COLUMN

- 5 Do not forget to add glue in the cavities before laying down your next level.

