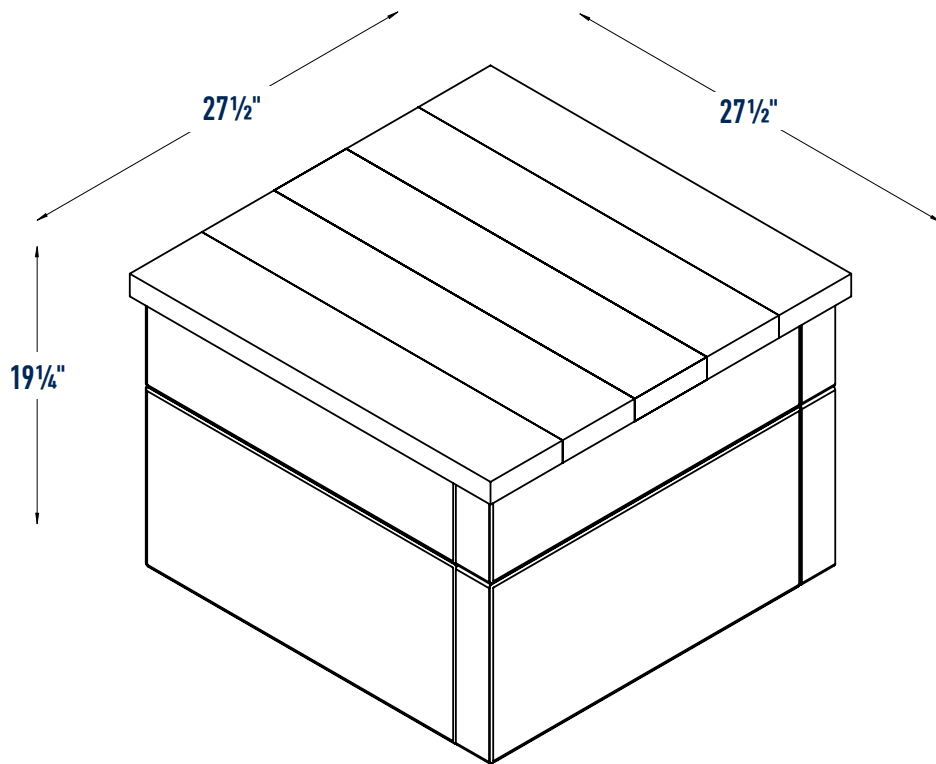




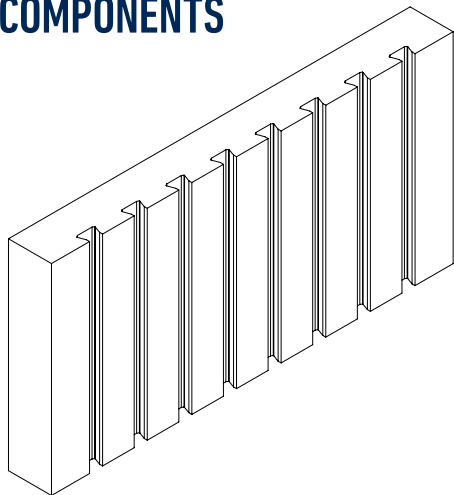
DESIGNFORMS™



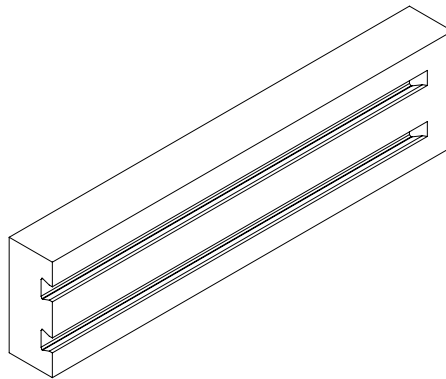
SQUARE COFFEE TABLE



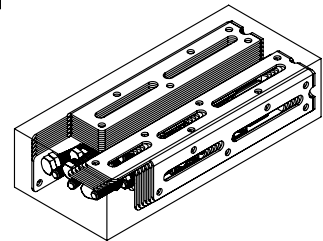
COMPONENTS



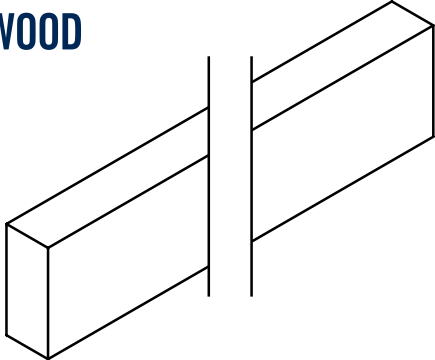
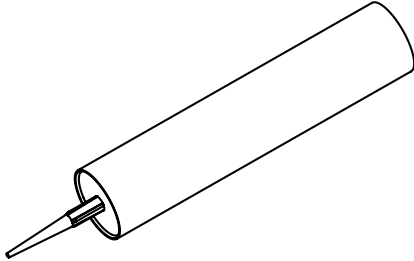
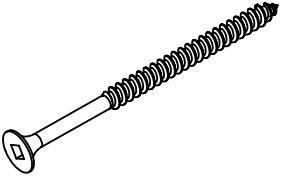
Large Panel (x4)
12" x 24"

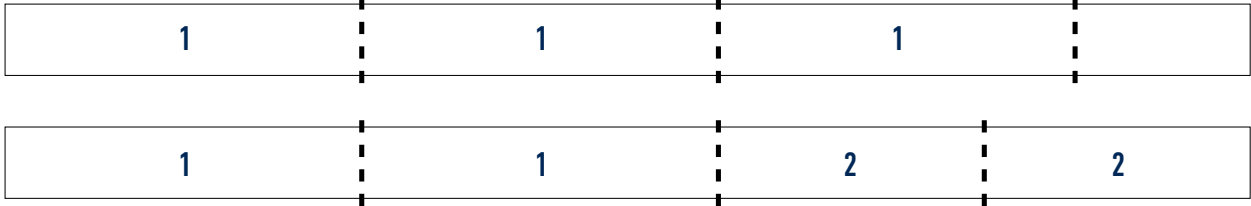


Small Panel (x4)
6" x 24"

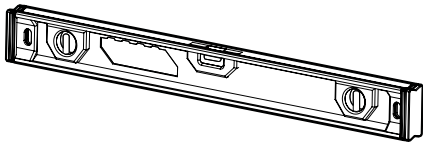


Hardware Kit (x2)

<p>2" x 6" x 8' PRESSURE TREATED WOOD</p> 	x2	<p>OUTDOOR SILICONE</p> 	x1	<p>#8 2½" DECK SCREW</p> 	x20
---	----	---	----	--	-----

<p>WOOD CUTS</p> 	<p>1 = 27½" 2 = 20½"</p>
--	--

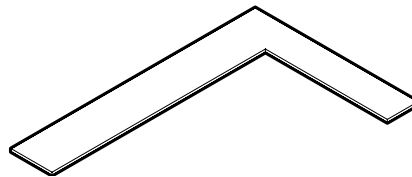
REQUIRED TOOLS



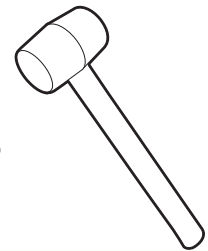
LEVEL



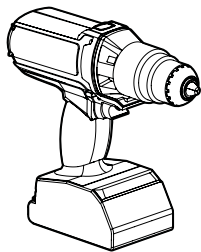
MEASURING TAPE



CARPENTER SQUARE



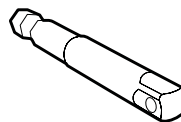
RUBBER Mallet



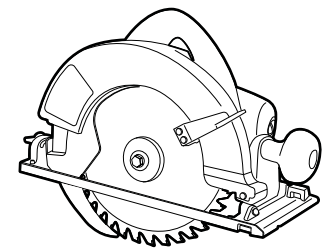
DRILL



DEEP HEX SOCKET
7/16" WITH 1/4" DRIVE



SOCKET ADAPTOR
1/4" HEX SHANK TO 1/4" DRIVE

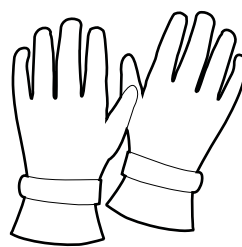


SKILL SAW

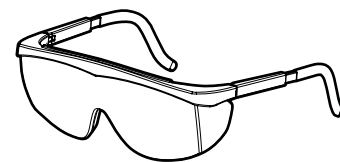
SAFETY EQUIPMENT



SAFETY BOOTS



GLOVES



SAFETY GLASSES



TIPS & TRICKS

READ ALL INSTRUCTIONS BEFORE ASSEMBLY

PREBUILD:

- Prebuild all hardware prior to starting build.
- When assembling hardware SNAP the bolt into place with the plastic sliders. Pressing down on something flat and hard will help. (Fig. A)
- Do not over hand tighten the slider/bolt piece and the nut on the completed brackets. They should be loosely attached so they slide into the channels on the panels. Leave a space of ¼ in. (Fig. B)

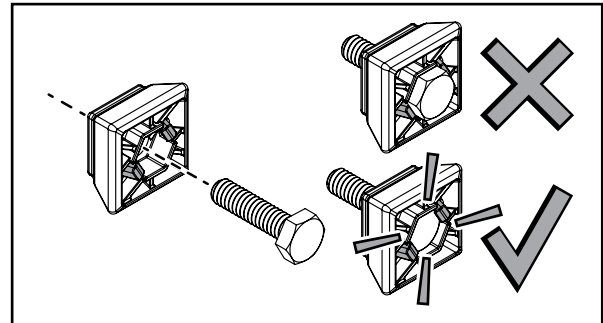


Fig. A

INSTALL:

- Always start in the corner when starting a build. (Fig. C)
- Set the drill clutch (torque) at a low level to deliver a torque range of 50-65lbs per inch. Refer to your drill manual for torque adjustment instructions.
- Use a rubber mallet to assist with moving/aligning/adjusting panel placement during assembly.

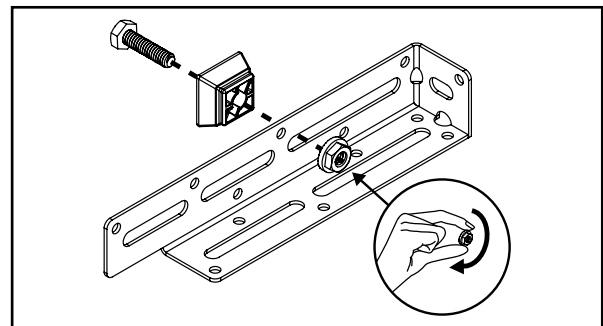


Fig. B

WHEN BUILDING WOODEN COMPONENTS:

- Do not exceed prescribed length. Exact measurements are required for proper assembly.
- Ensure your cuts are straight.
- Do not over tighten the screws into the wood - this can cause buckling.
- Pre-drill holes for 45° corner assemblies.
- Use cedar or pressure treated wood for outdoor use.
- Seal wooden components for prolonged use.

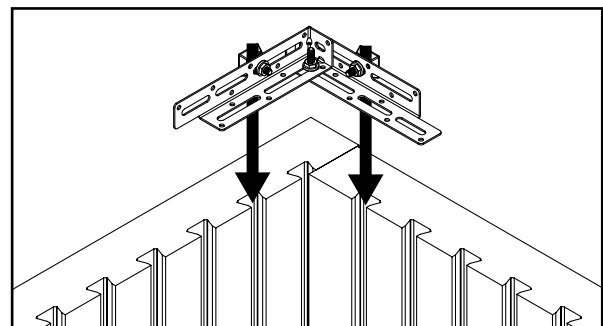


Fig. C

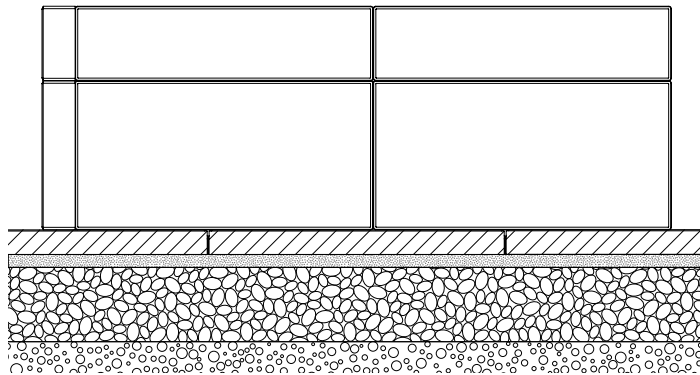
WHEN BUILDING PLANTERS:

- Line the inside of the planters or garden beds with a geotextile fabric to help with water management.

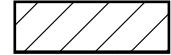
BASE PREPARATION

ALWAYS LEVEL GROUND BEFORE INSTALLATION

ON NEW OR EXISTING PATIO



SLAB OR PAVER



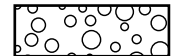
BEDDING SAND 1"



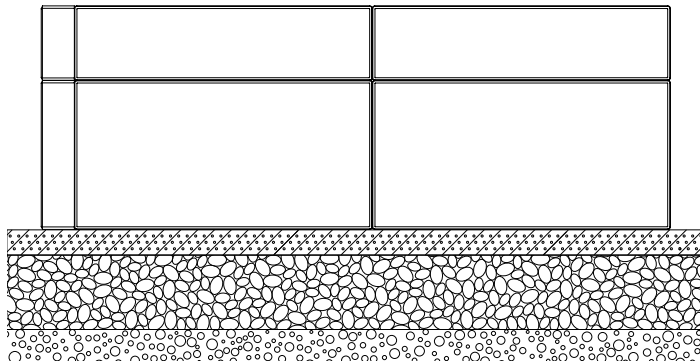
COMPACTED AGGREGATES 6" - 8"



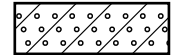
SOIL



ON POURED CONCRETE



REINFORCED POURED CONCRETE FOUNDATION 2"



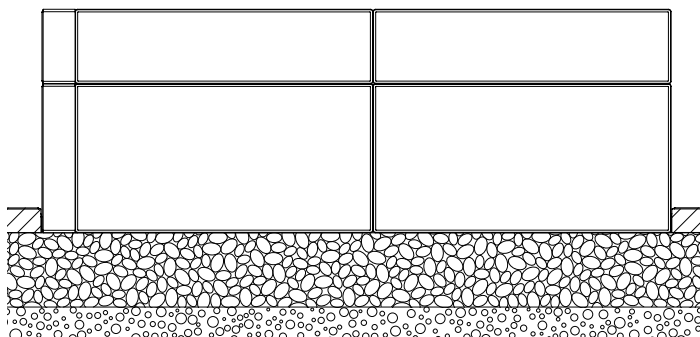
COMPACTED AGGREGATES 6" - 8"



SOIL



ON COMPACTED FOUNDATION



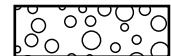
SLAB OR PAVER

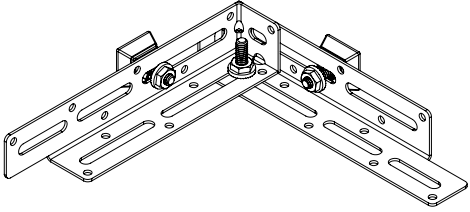
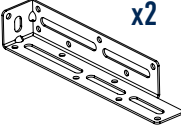
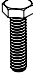



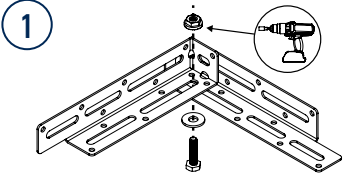
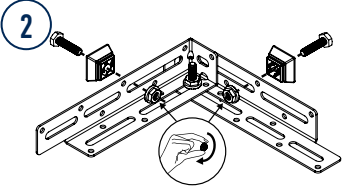


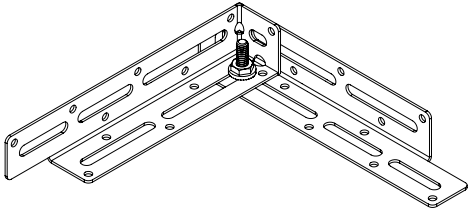
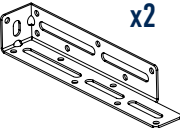



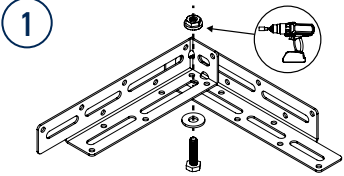
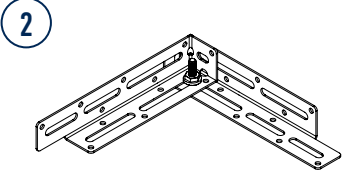
COMPACTED AGGREGATES 6" - 8"

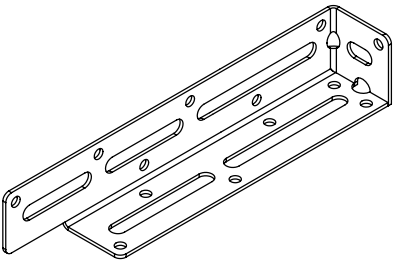
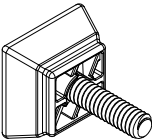
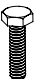

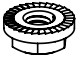
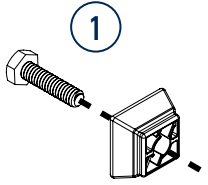


SOIL



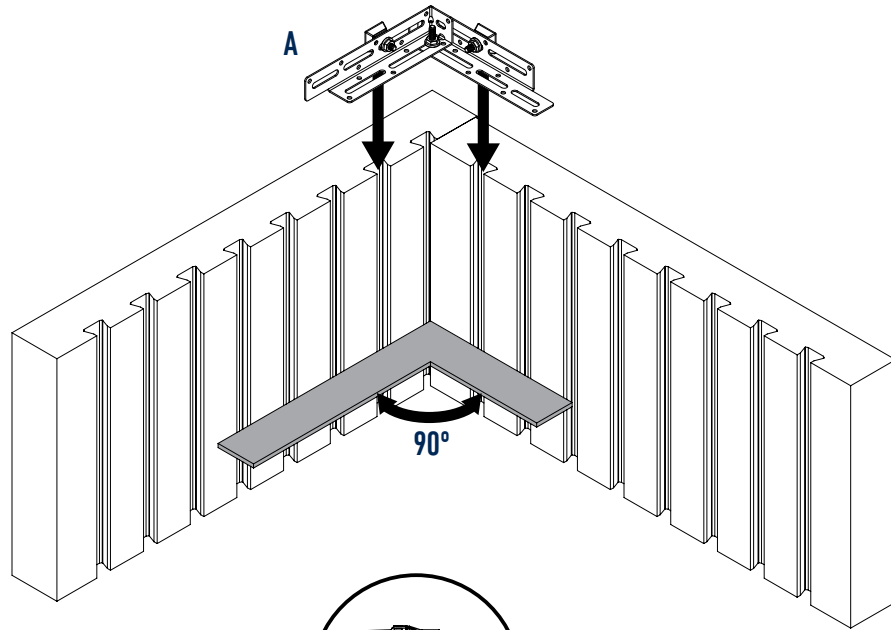
<p>BRACKET A</p> 	<p>x4</p>	<p>x2</p> 	<p>x3</p> 	<p>x1</p> 	<p>x3</p> 	<p>x2</p> 
		<p>1</p> 	<p>2</p> 			

<p>BRACKET B</p> 	<p>x4</p>	<p>x2</p> 	<p>x1</p> 	<p>x1</p> 	<p>x1</p> 
		<p>1</p> 	<p>2</p> 		

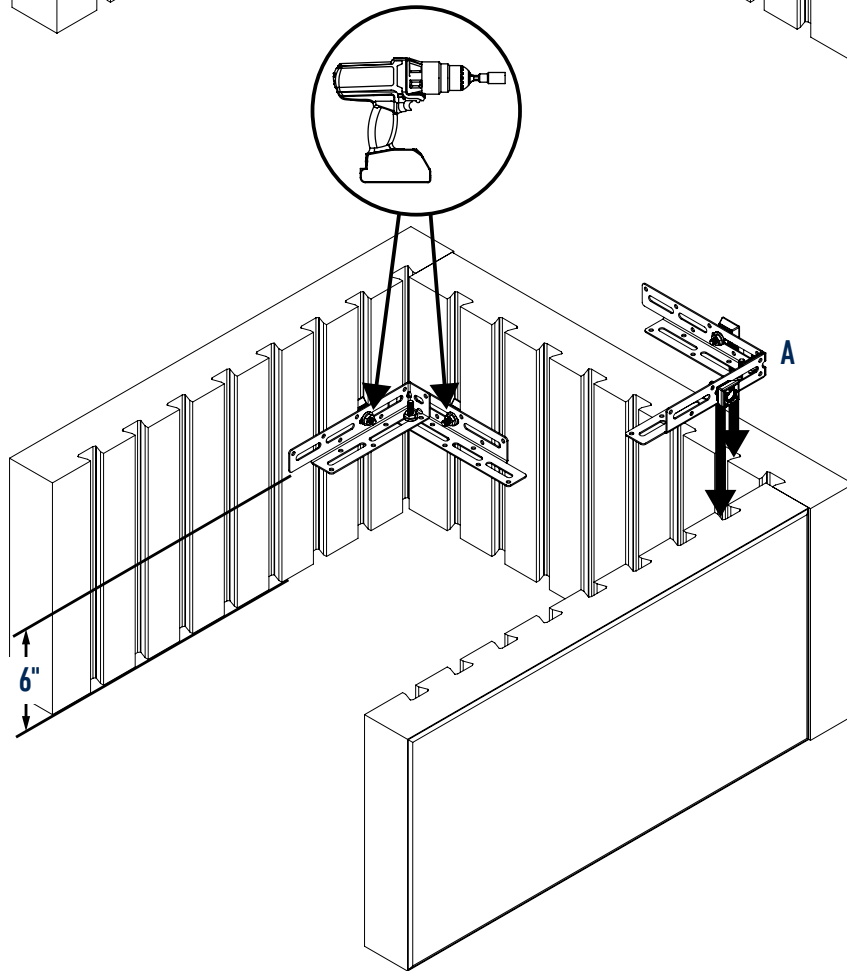
<p>BRACKET H</p> 	<p>x4</p>	<p>ASSEMBLY I Use with BRACKETS B and H during build</p> 	<p>x16</p>	<p>x1</p> 	<p>x1</p> 	<p>J</p> <p>x16</p> 
				<p>1</p> 		



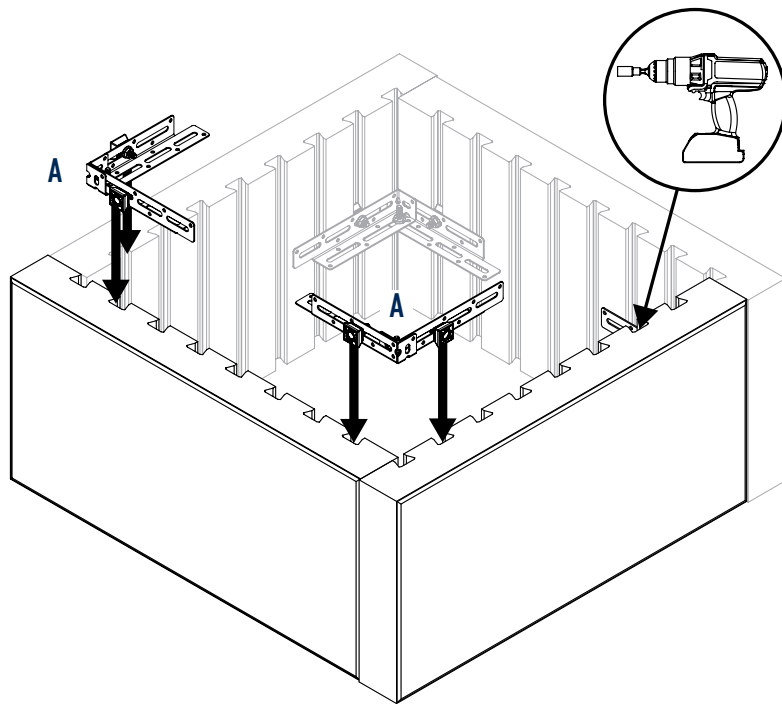
1



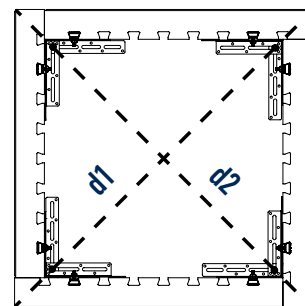
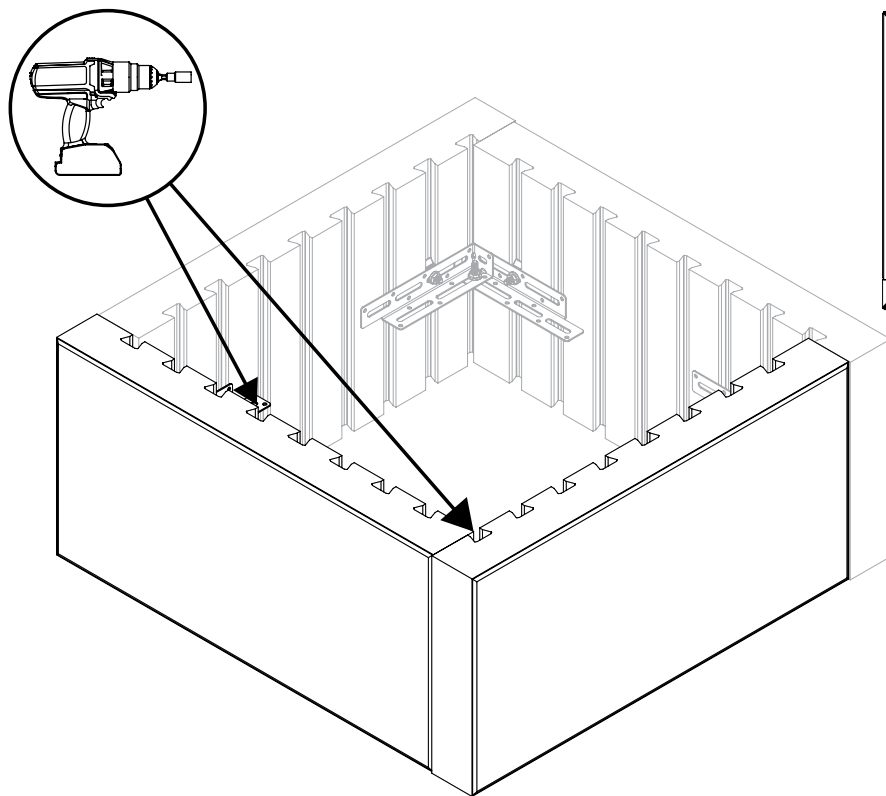
2



3

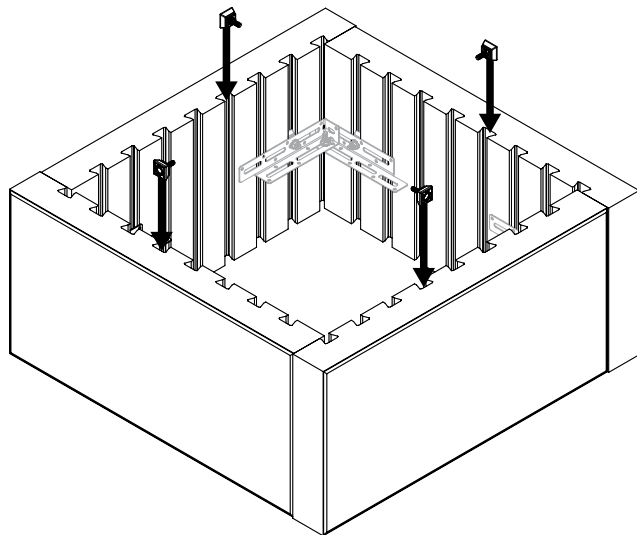
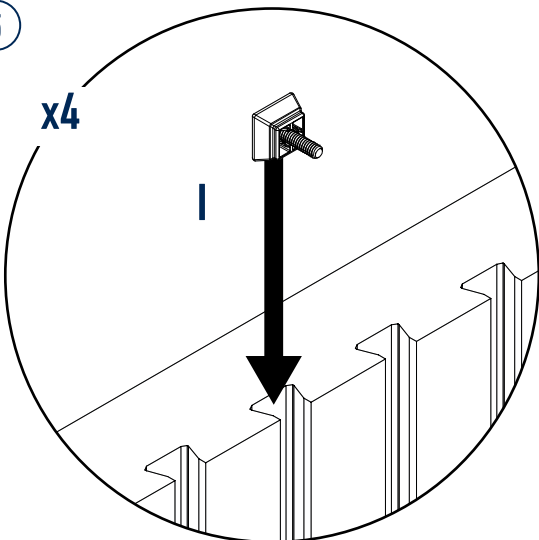


4



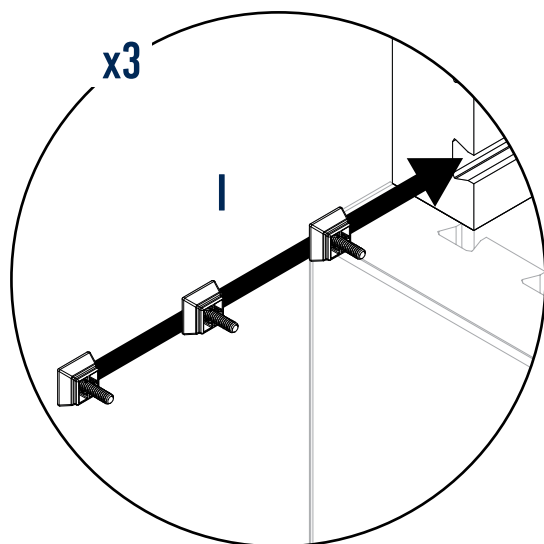
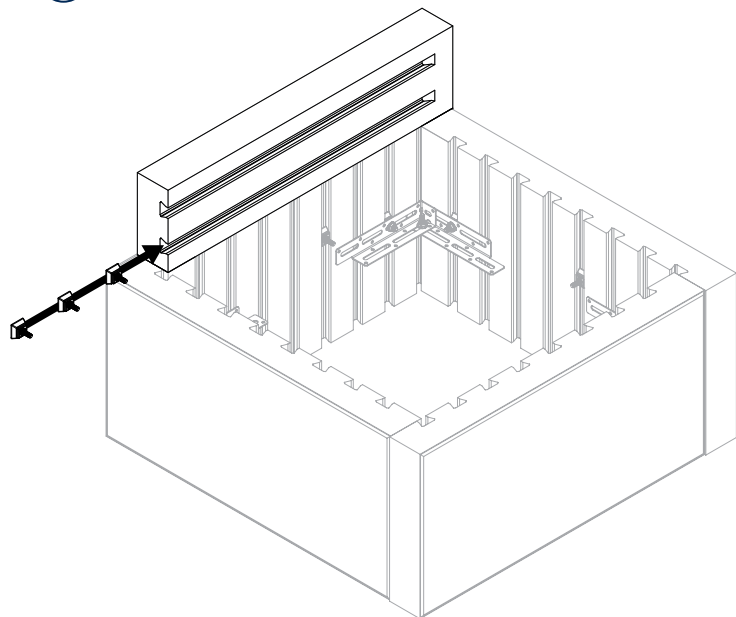
$d1 = d2$

5

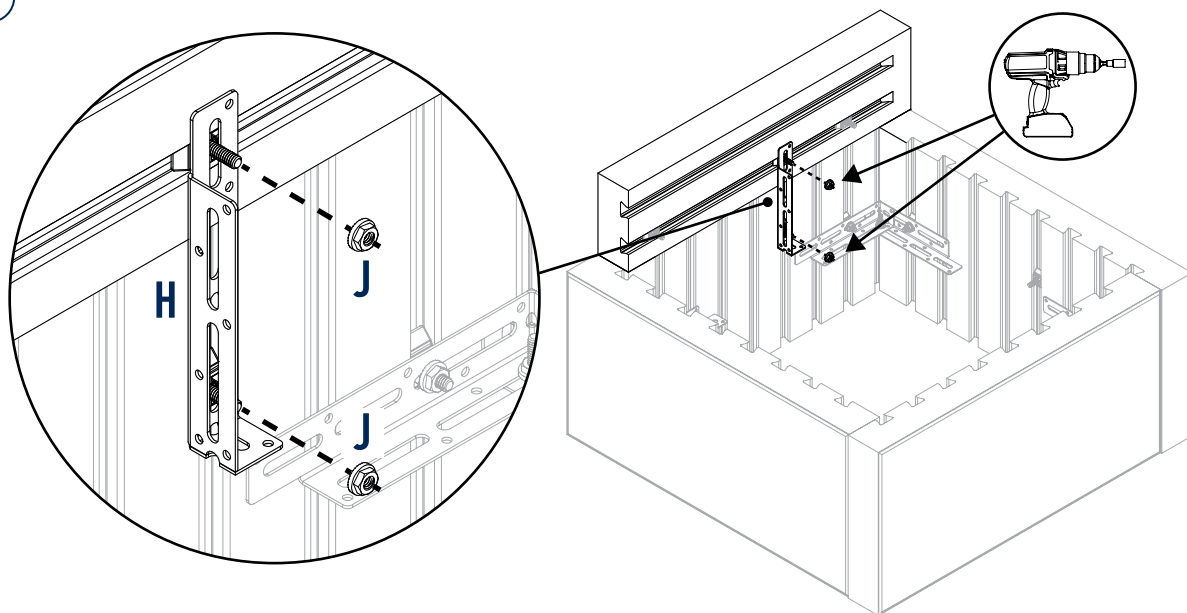


Insert Assembly I
now for use later
with Bracket B
and Bracket H

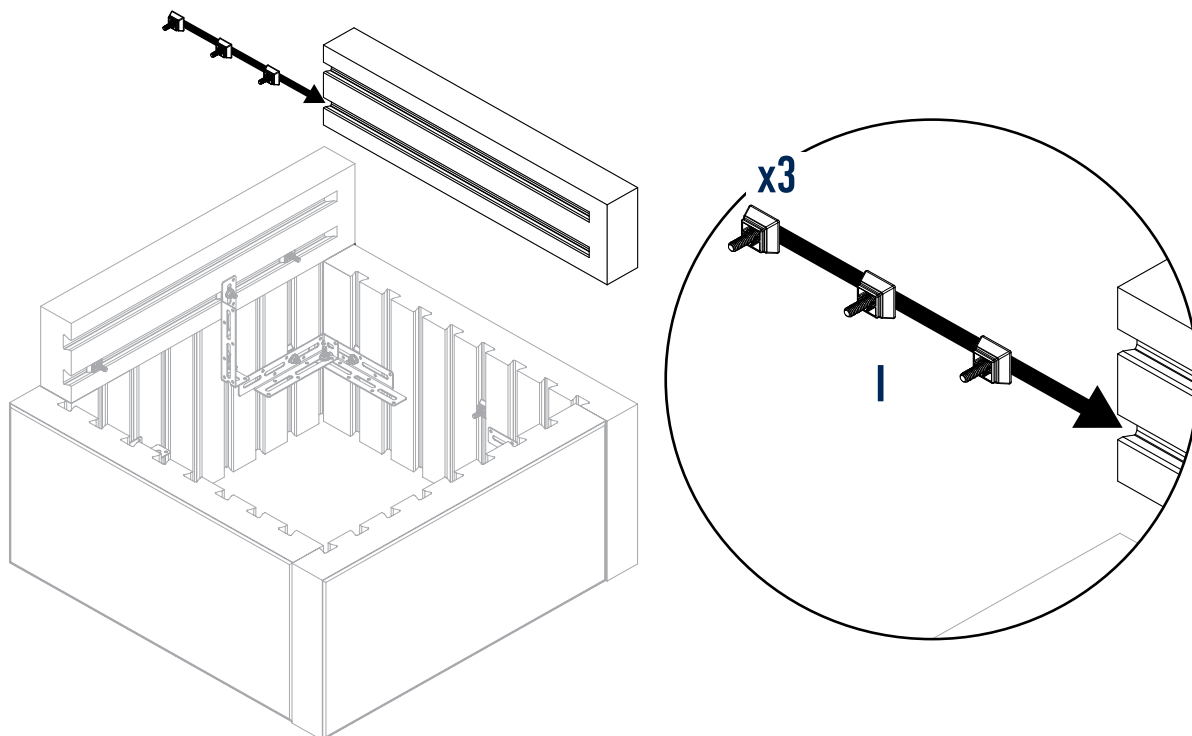
6



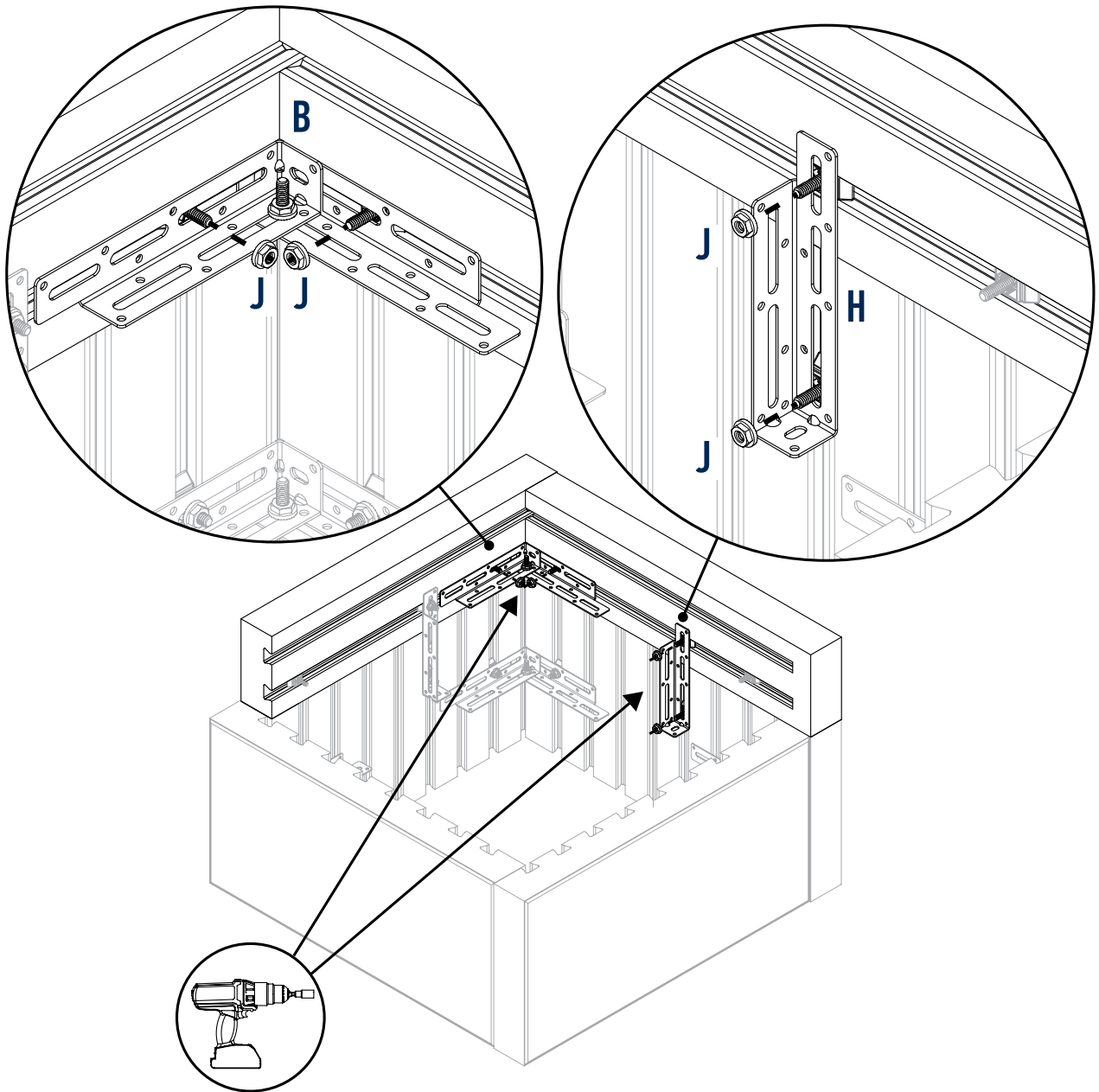
7



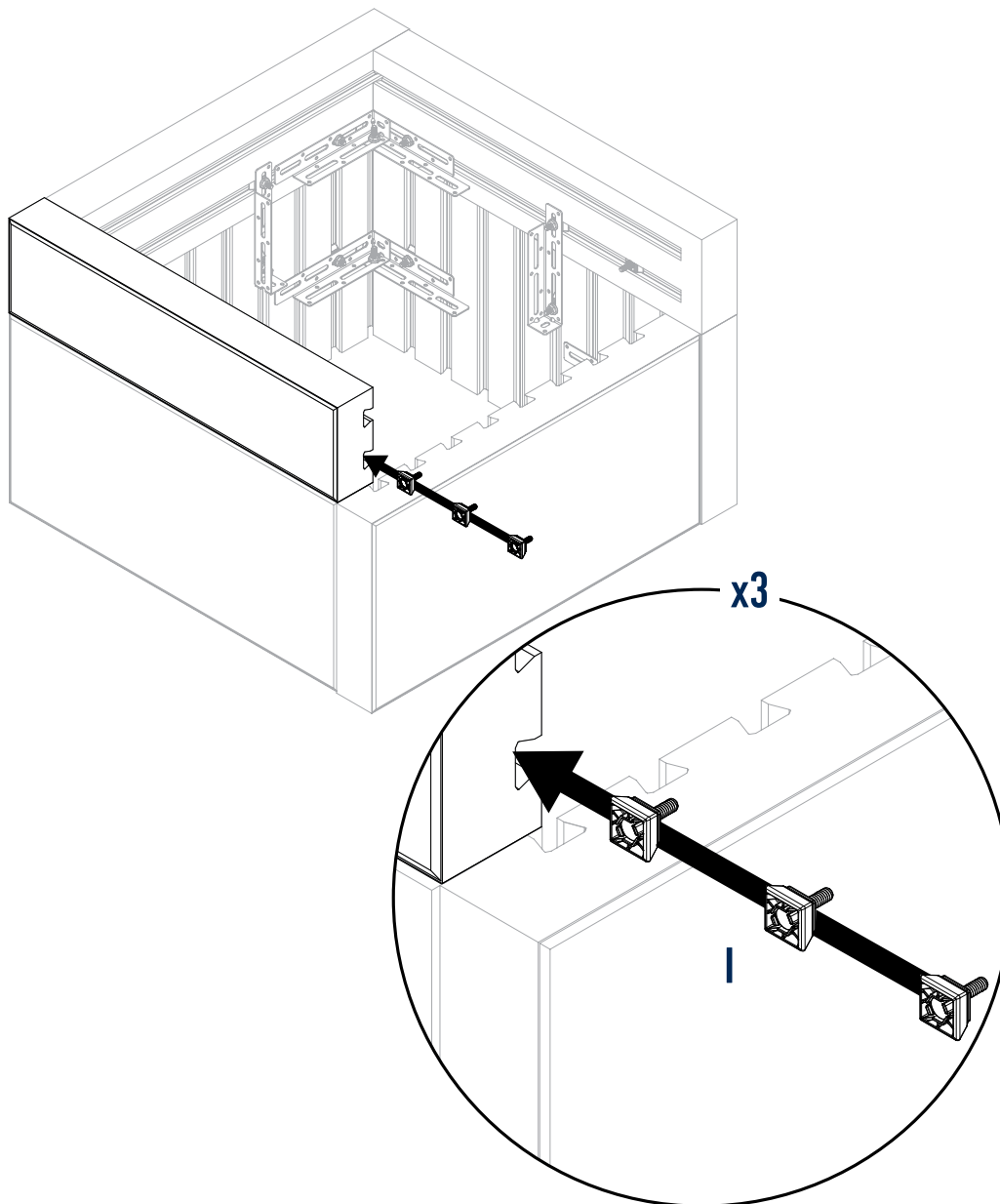
8



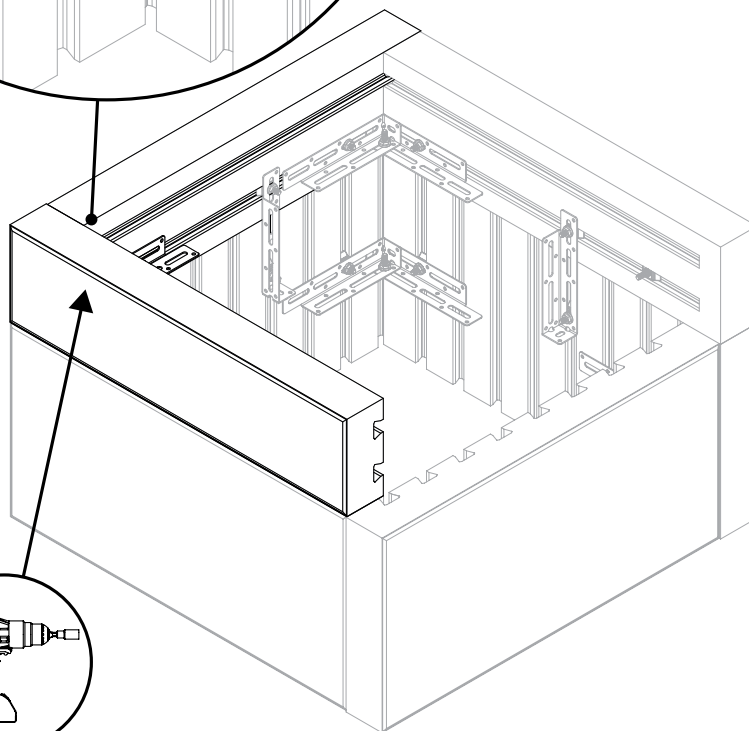
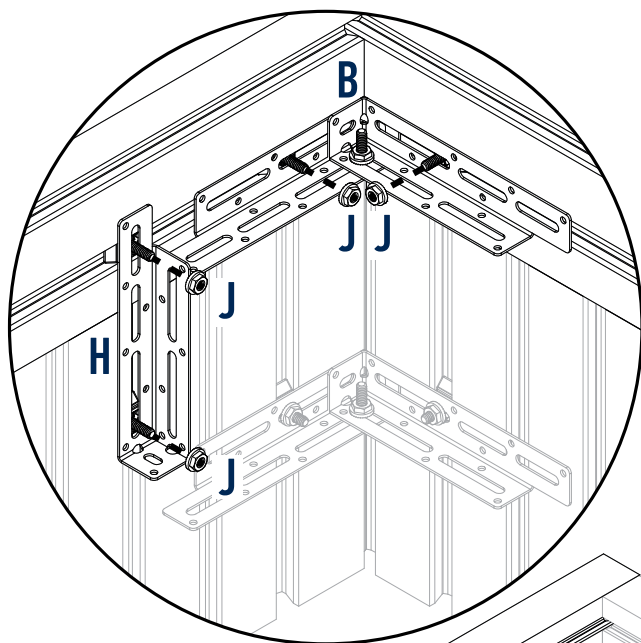
9



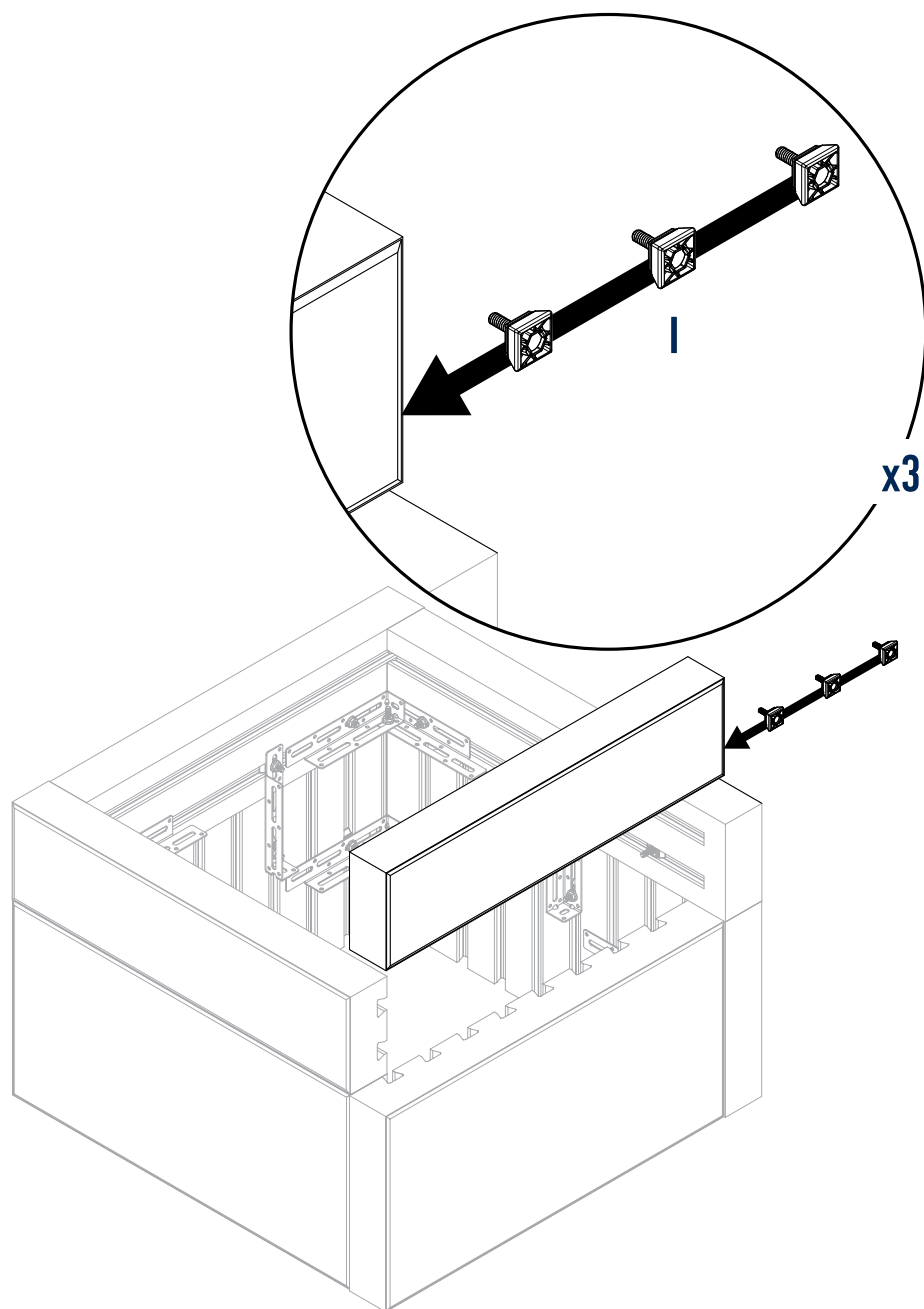
10



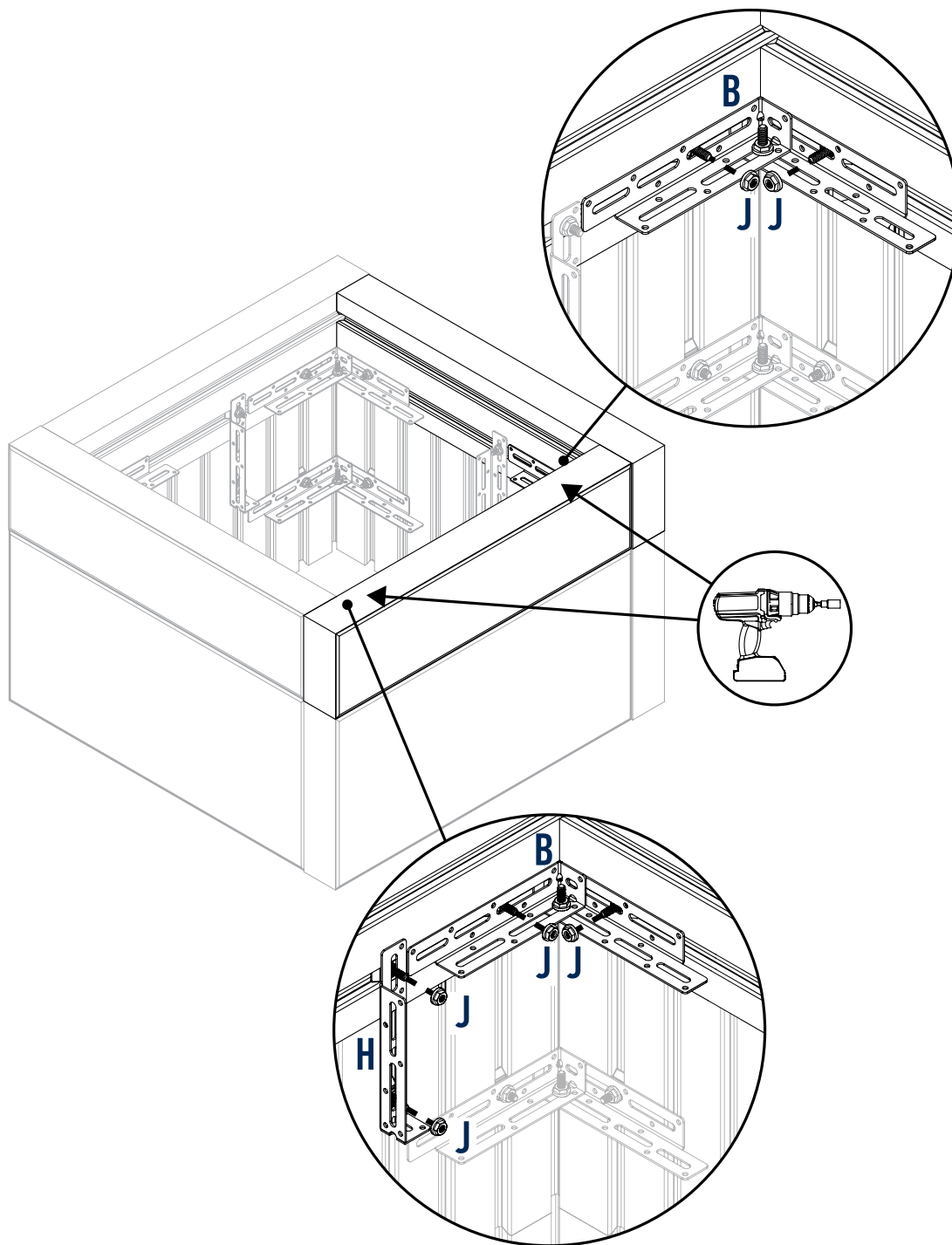
11



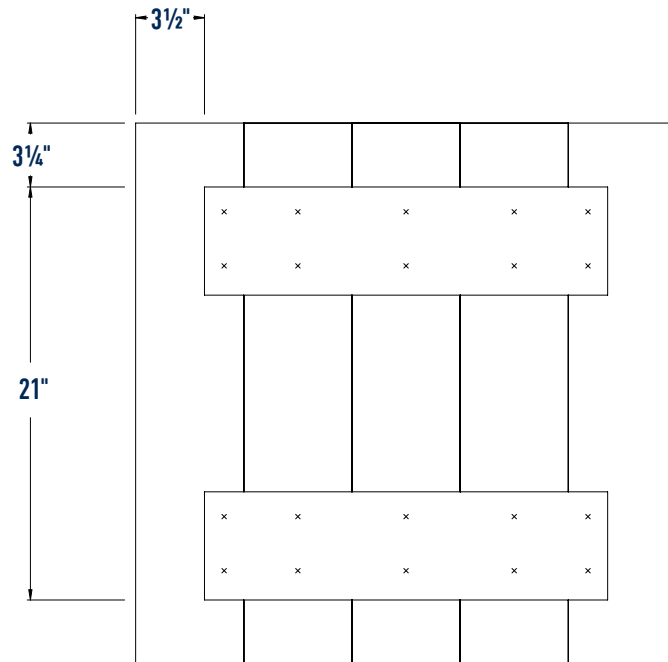
12



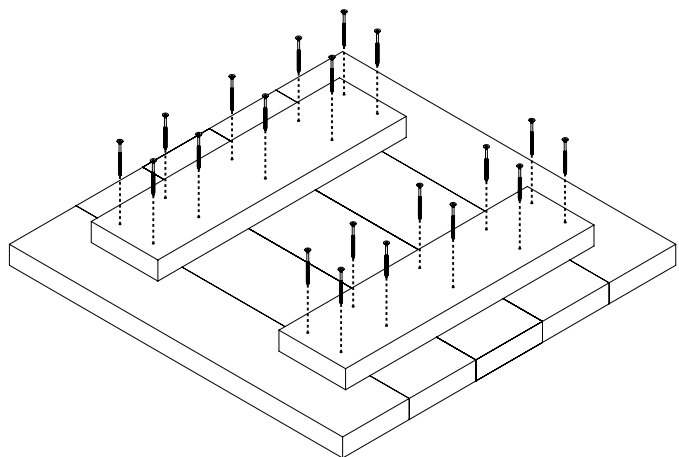
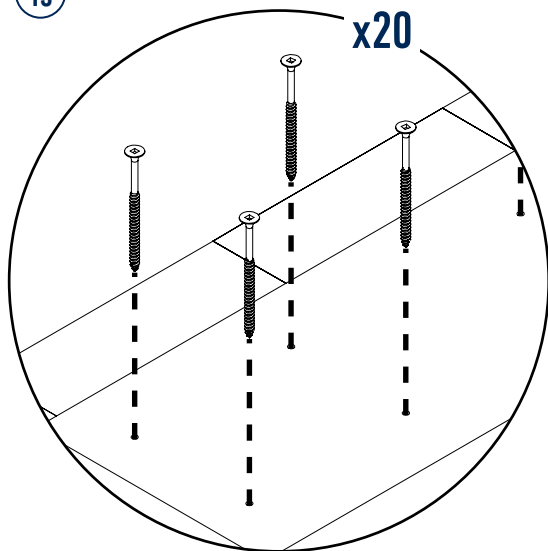
13



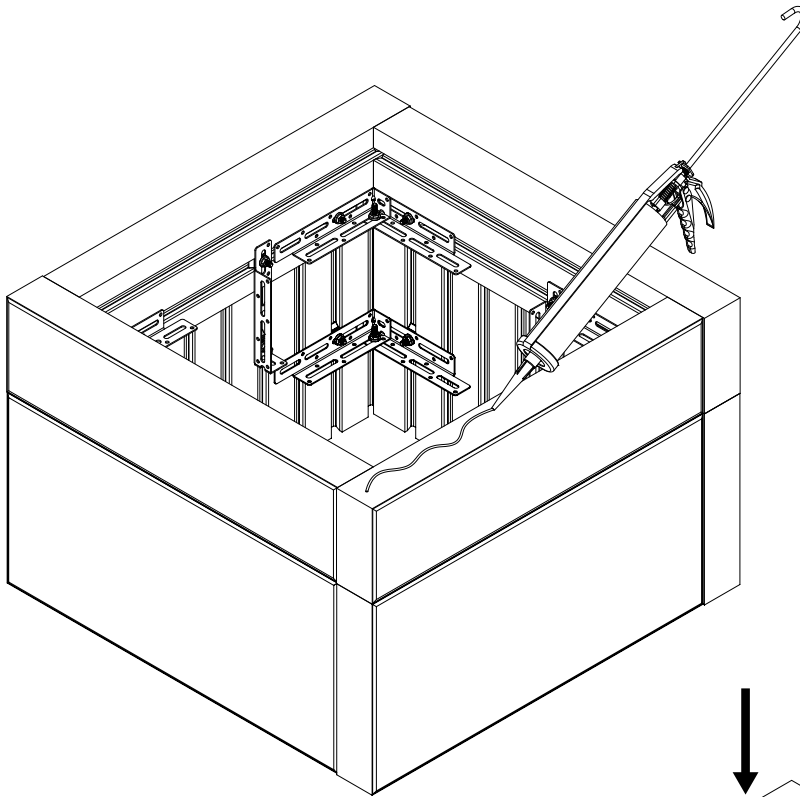
14



15



16



17

