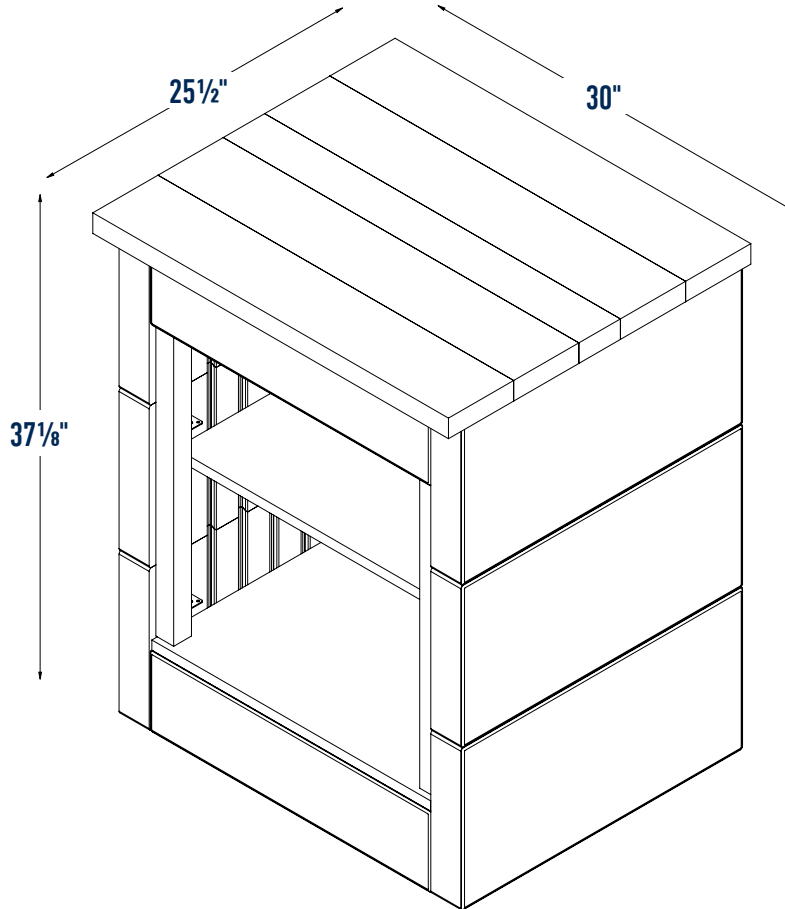




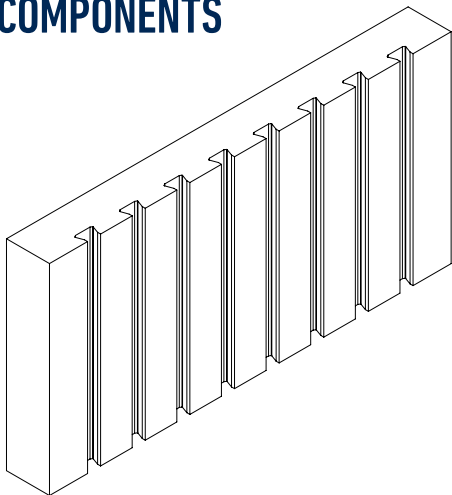
# DESIGNFORMS™



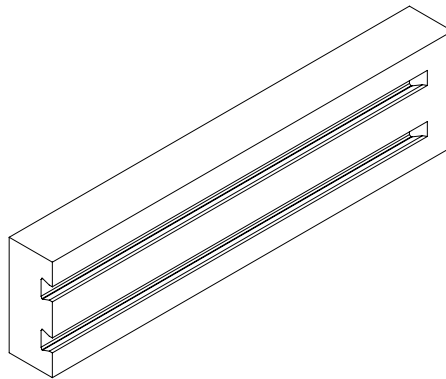
**SINGLE COUNTER  
- SHELVING UNIT**



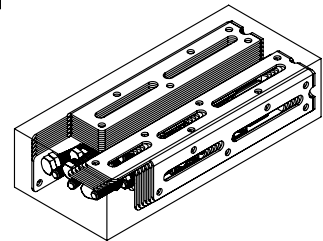
### COMPONENTS



**Large Panel (x9)**  
12" x 24"

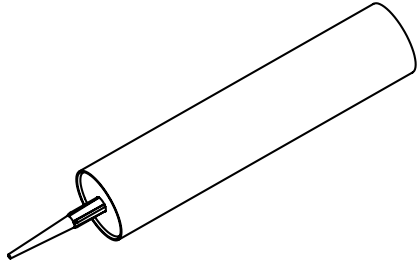

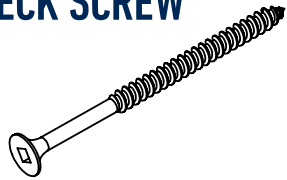


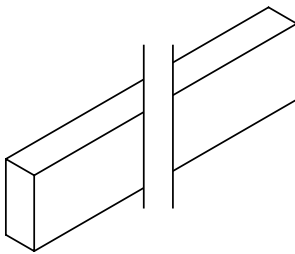
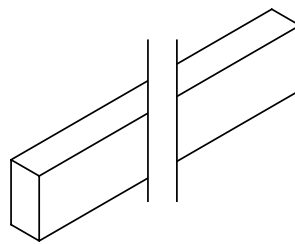
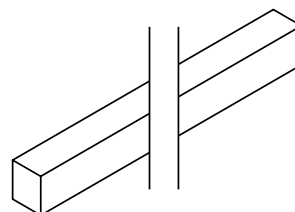
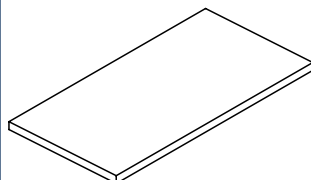
**Small Panel (x2)**  
6" x 24"



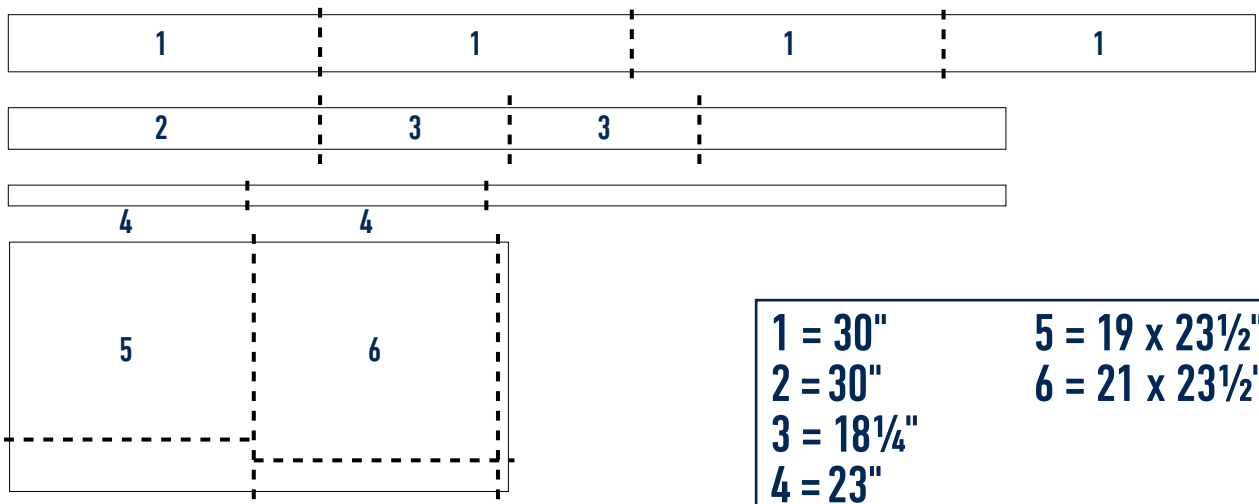
**Hardware Kit (x3)**



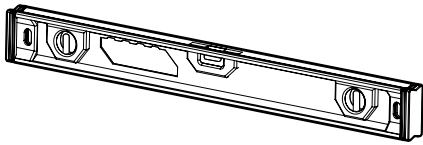
<b>OUTDOOR SILICONE</b> 	<b>x1</b>	<b>A #8 1¼" DECK SCREW</b>	<b>x10</b>
			
		<b>B #8 2½" DECK SCREW</b>	<b>x20</b>
			

<b>2" x 6" x 10' PRESSURE TREATED WOOD</b> 	<b>x1</b>	<b>2" x 4" x 8' PRESSURE TREATED WOOD</b> 	<b>x1</b>	<b>2" x 2" x 8' PRESSURE TREATED WOOD</b> 	<b>x1</b>	<b>2' x 4' x ¾" PLYWOOD</b> 	<b>x1</b>
---	-----------	--	-----------	---	-----------	--	-----------

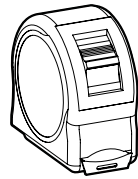
### WOOD CUTS



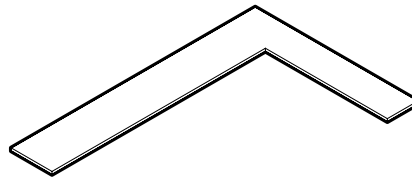
**REQUIRED TOOLS**



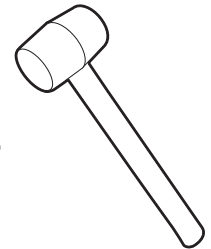
**LEVEL**



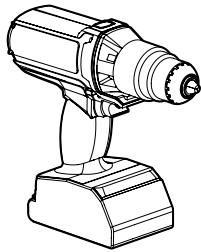
**MEASURING TAPE**



**CARPENTER SQUARE**



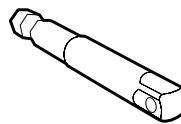
**RUBBER MALLET**



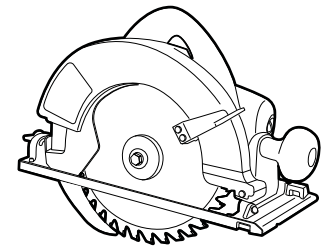
**DRILL**



**DEEP HEX SOCKET  
7/16" WITH 1/4" DRIVE**



**SOCKET ADAPTOR  
1/4" HEX SHANK TO 1/4" DRIVE**

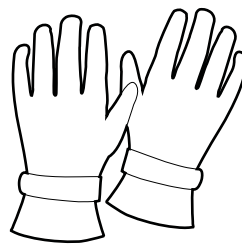


**SKILL SAW**

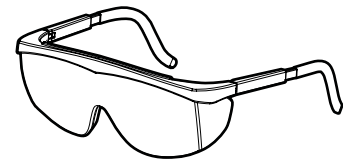
**SAFETY EQUIPMENT**



**SAFETY BOOTS**



**GLOVES**

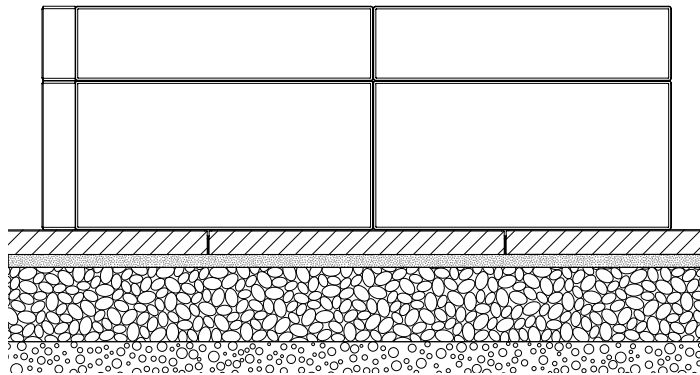


**SAFETY GLASSES**

**BASE PREPARATION**

**ALWAYS LEVEL GROUND BEFORE INSTALLATION**

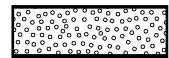
**ON NEW OR EXISTING PATIO**



**SLAB OR PAVER**



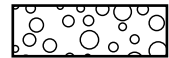
**BEDDING SAND 1"**



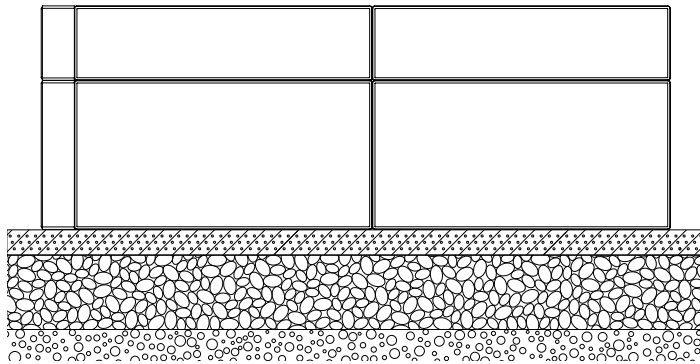
**COMPACTED AGGREGATES 6" - 8"**



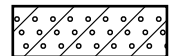
**SOIL**



**ON POURED CONCRETE**



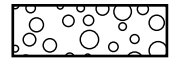
**REINFORCED POURED CONCRETE FOUNDATION 2"**



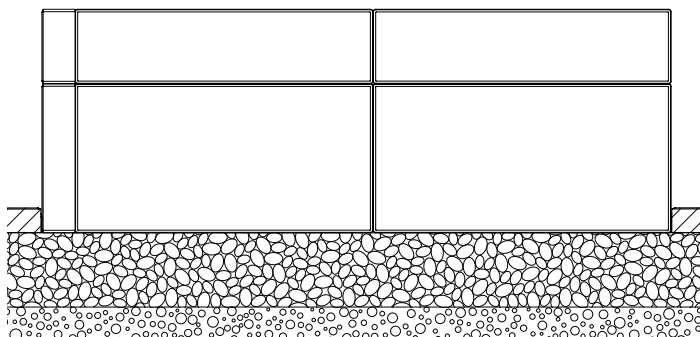
**COMPACTED AGGREGATES 6" - 8"**



**SOIL**



**ON COMPACTED FOUNDATION**



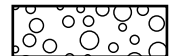
**SLAB OR PAVER**



**COMPACTED AGGREGATES 6" - 8"**



**SOIL**



## TIPS & TRICKS

### READ ALL INSTRUCTIONS BEFORE ASSEMBLY

#### PREBUILD:

- Prebuild all hardware prior to starting build.
- When assembling hardware SNAP the bolt into place with the plastic sliders. Pressing down on something flat and hard will help. (Fig. A)
- Do not over hand tighten the slider/bolt piece and the nut on the completed brackets. They should be loosely attached so they slide into the channels on the panels. Leave a space of ¼ in. (Fig. B)

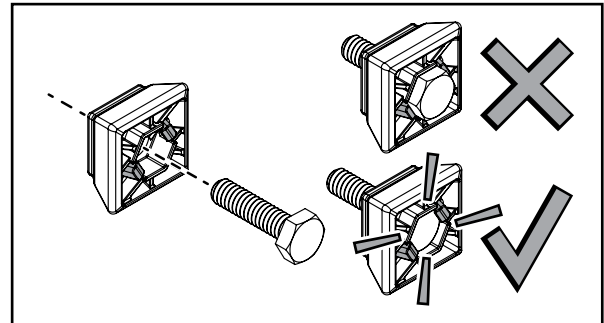


Fig. A

#### INSTALL:

- Always start in the corner when starting a build. (Fig. C)
- Set the drill clutch (torque) at a low level to deliver a torque range of 50-65lbs per inch. Refer to your drill manual for torque adjustment instructions.
- Use a rubber mallet to assist with moving/aligning/adjusting panel placement during assembly.

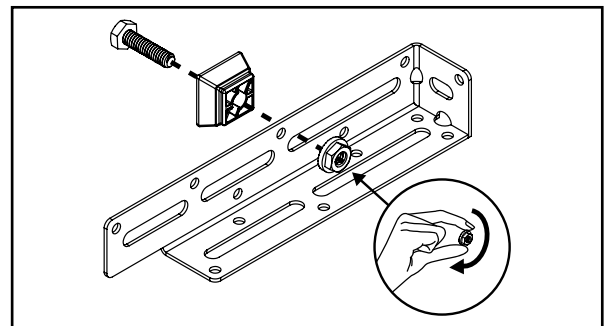


Fig. B

#### WHEN BUILDING WOODEN COMPONENTS:

- Do not exceed prescribed length. Exact measurements are required for proper assembly.
- Ensure your cuts are straight.
- Do not over tighten the screws into the wood - this can cause buckling.
- Pre-drill holes for 45° corner assemblies.
- Use cedar or pressure treated wood for outdoor use.
- Seal wooden components for prolonged use.

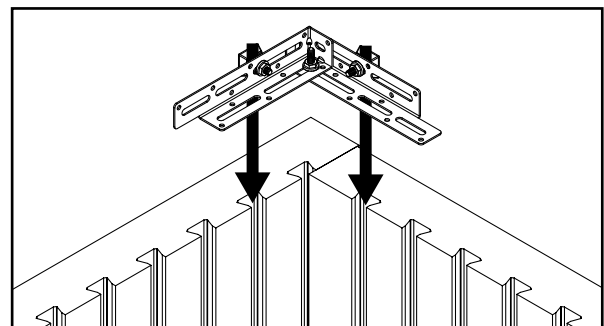


Fig. C

#### WHEN BUILDING PLANTERS:

- Line the inside of the planters or garden beds with a geotextile fabric to help with water management.

**BRACKET A** x6

x2      x3      x1      x3      x2

1      2

**BRACKET A1** x3

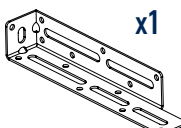



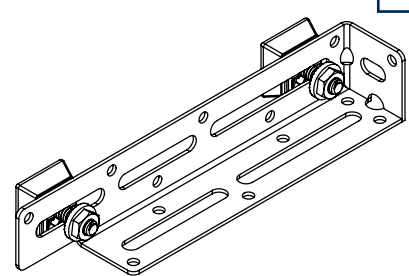
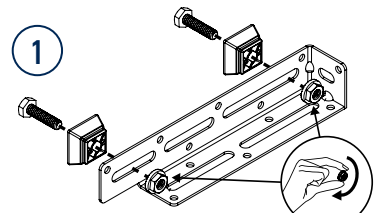
x2      x2      x1      x2      x1

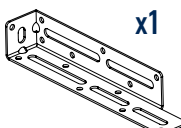



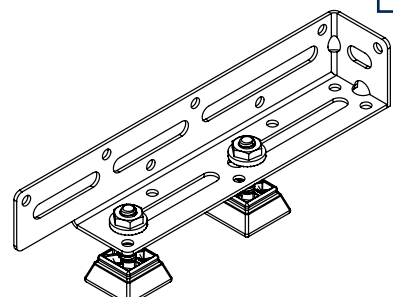
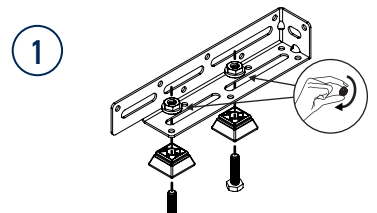
1      2



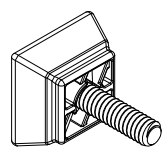
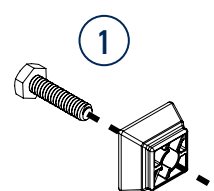
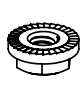
**BRACKET A2** x3

x2      x2      x1      x2      x1

1      2

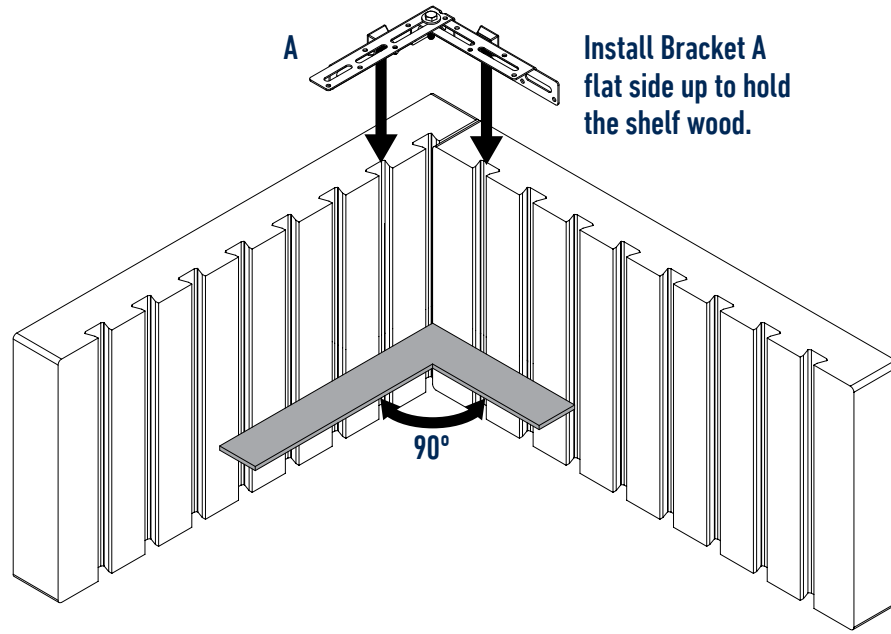
<b>BRACKET C</b>	<b>x8</b>	<b>x1</b>	<b>x2</b>	<b>x2</b>	<b>x2</b>
					
					

<b>BRACKET C1</b>	<b>x1</b>	<b>x1</b>	<b>x2</b>	<b>x2</b>	<b>x2</b>
					
					

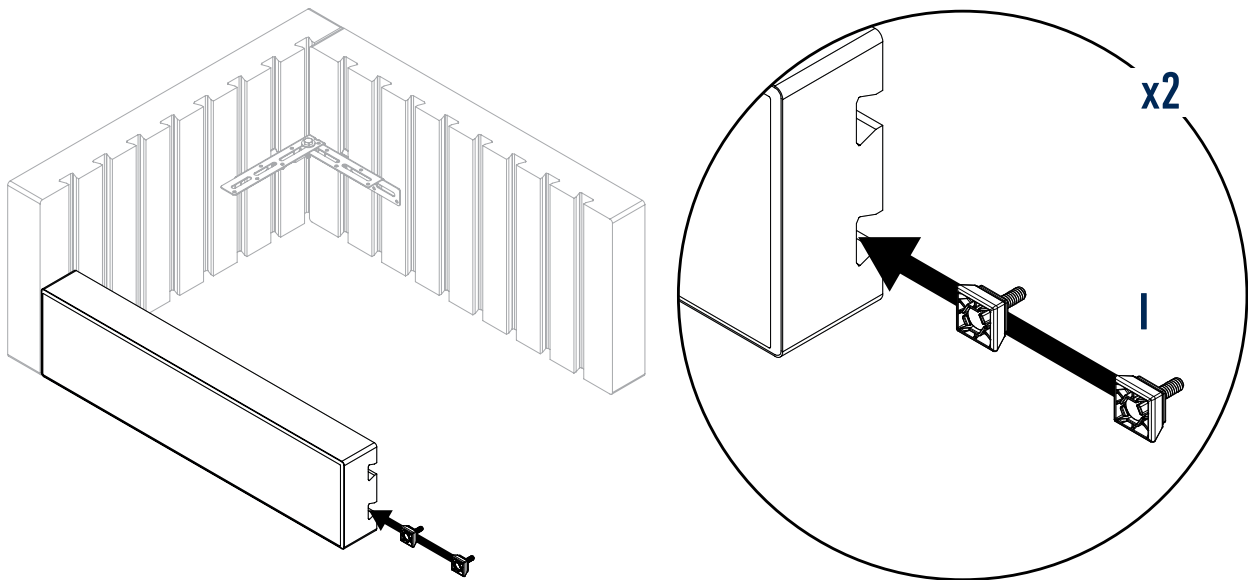
<b>ASSEMBLY I</b>	<b>x6</b>	<b>x1</b>	<b>x1</b>	<b>J</b>	<b>x6</b>
					
					



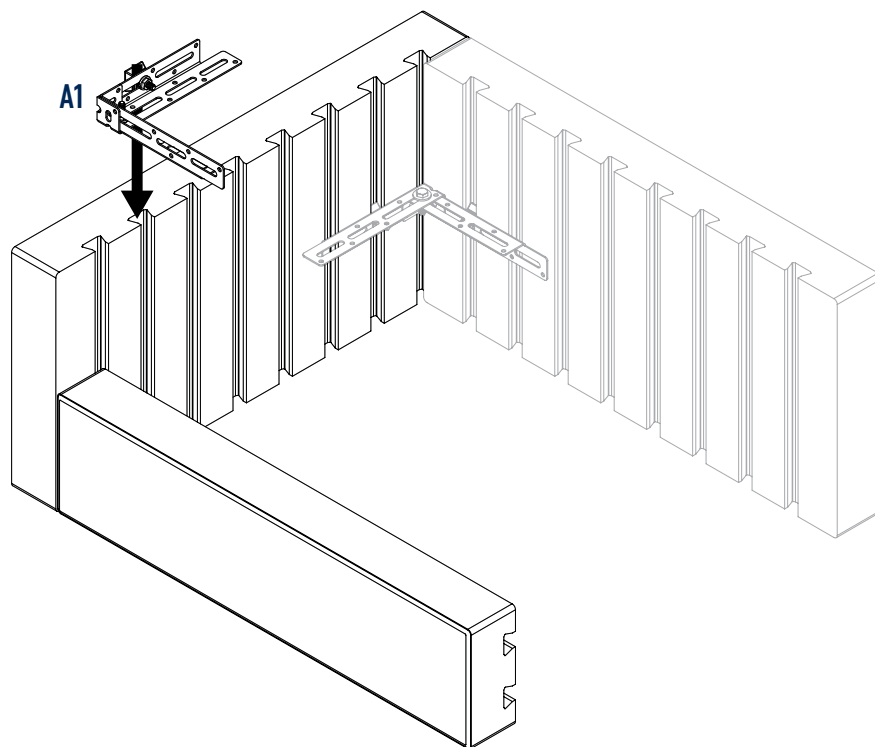
1



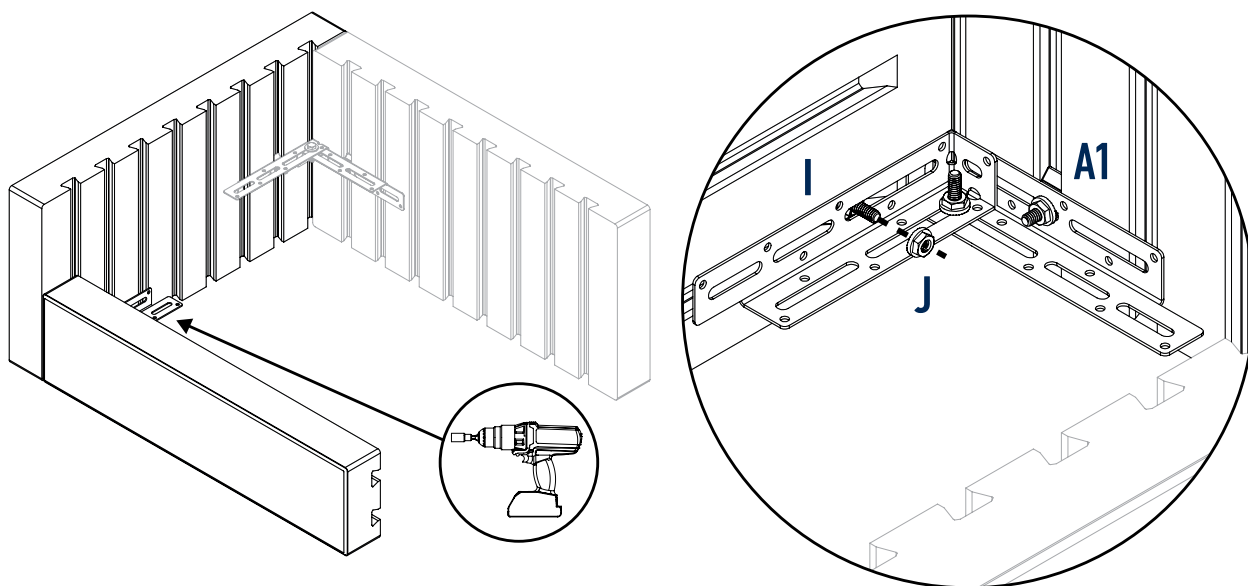
2

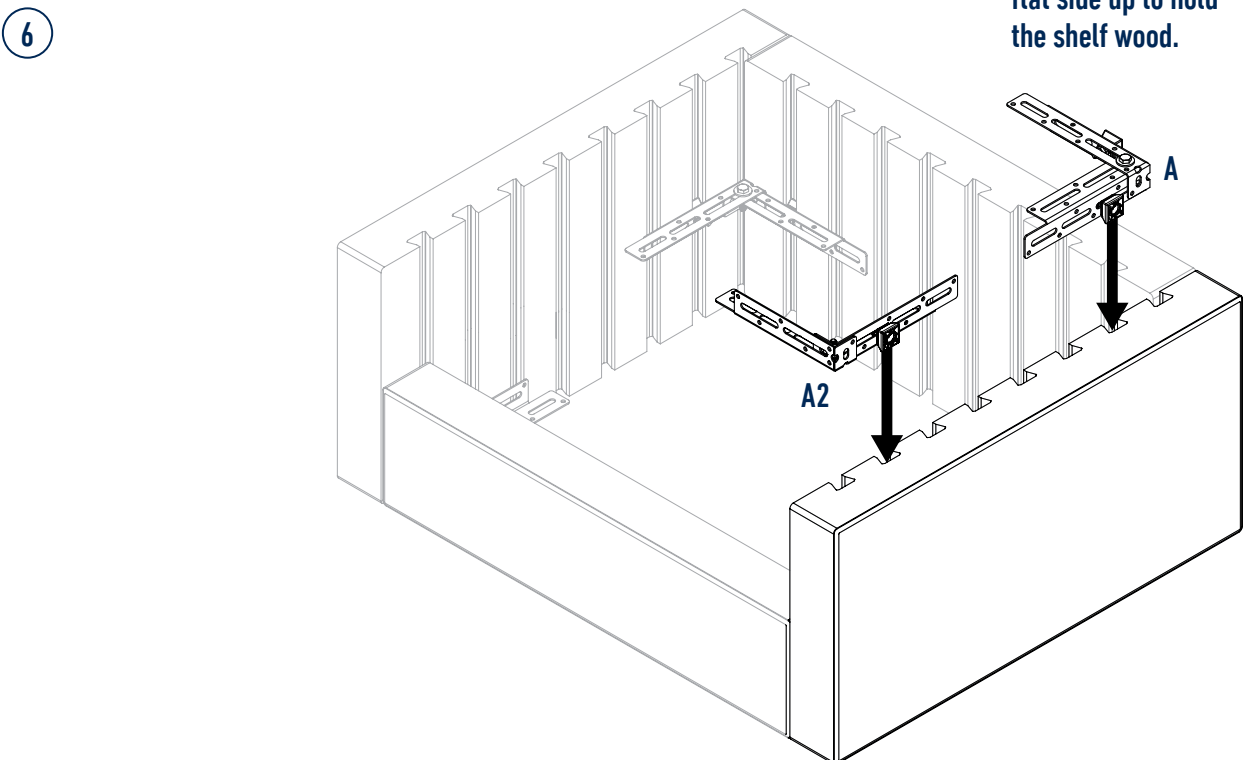
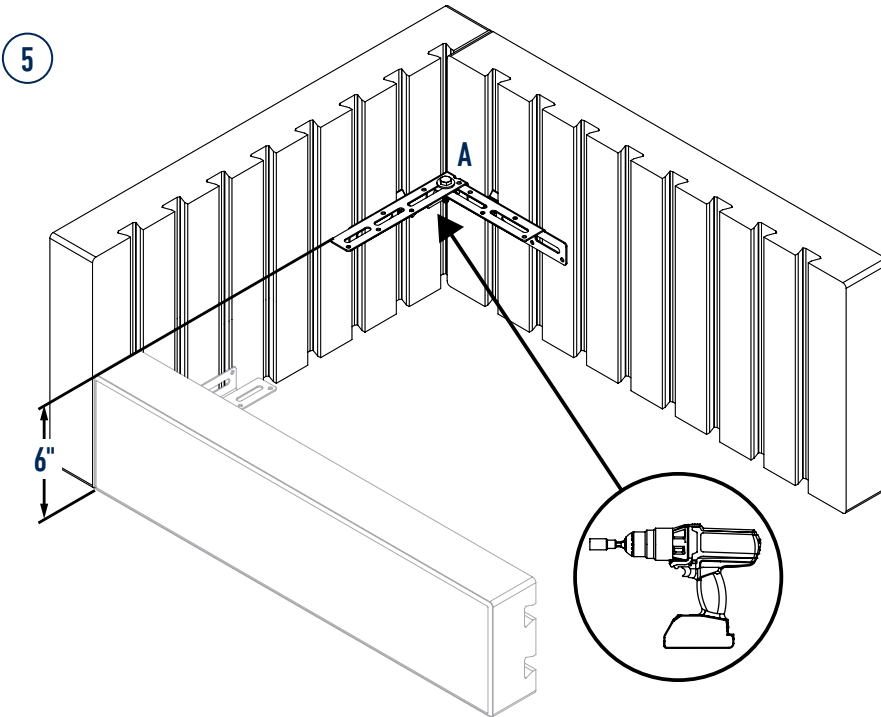


3

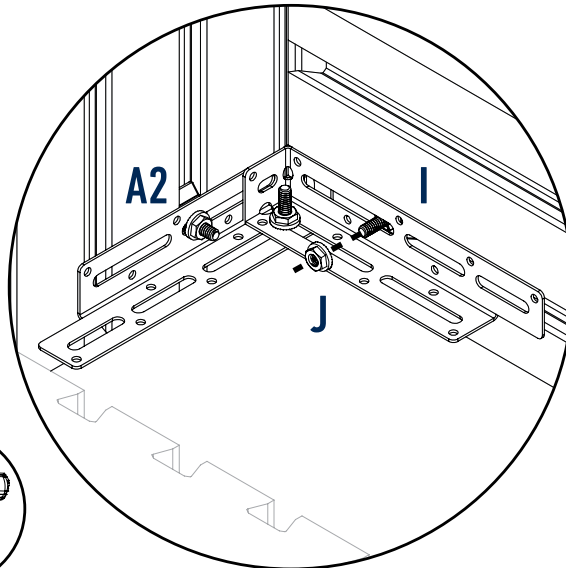
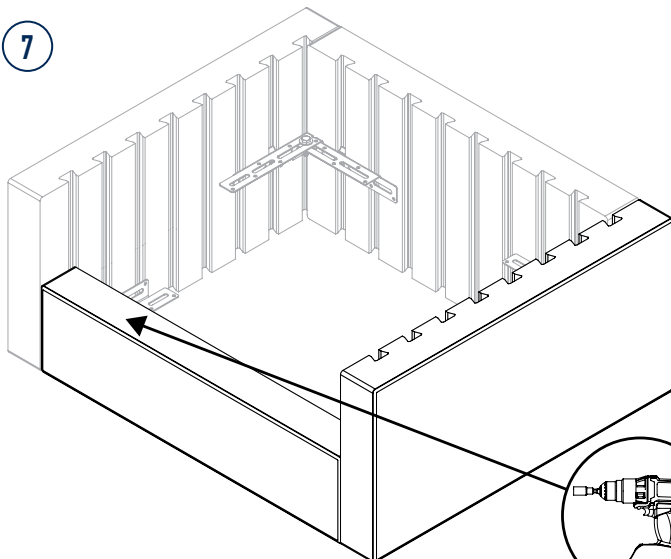


4

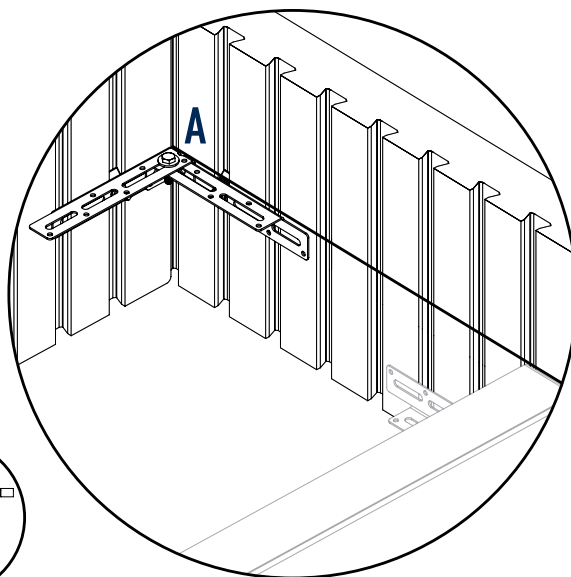
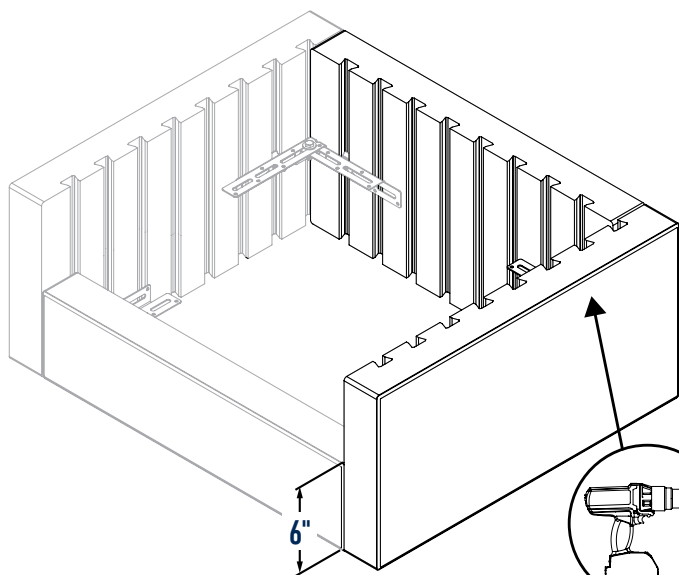


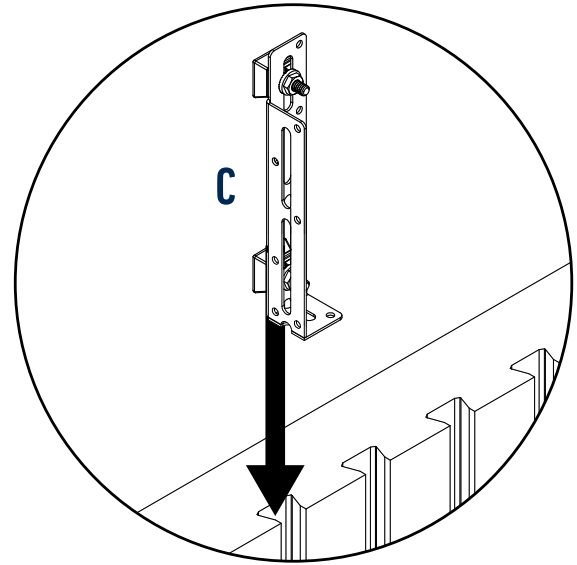
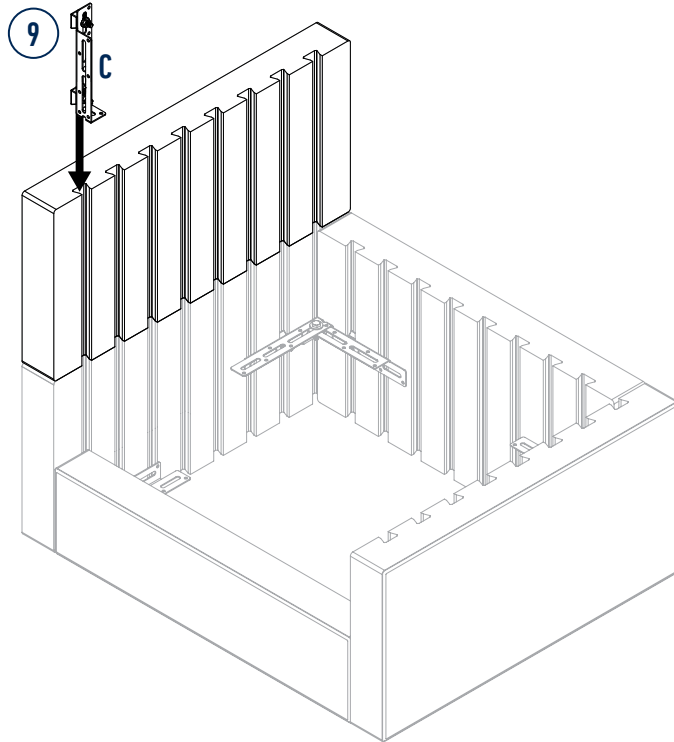


7



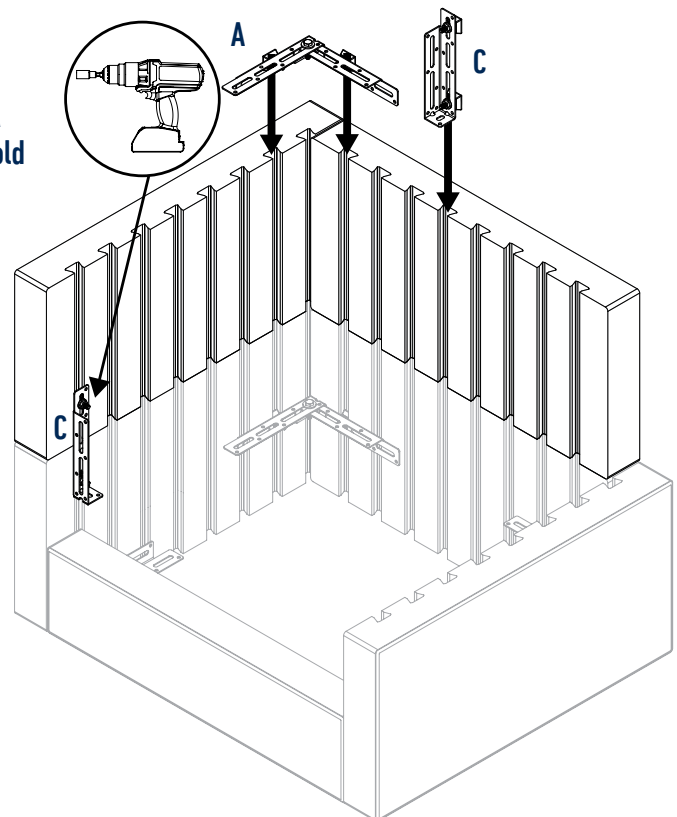
8



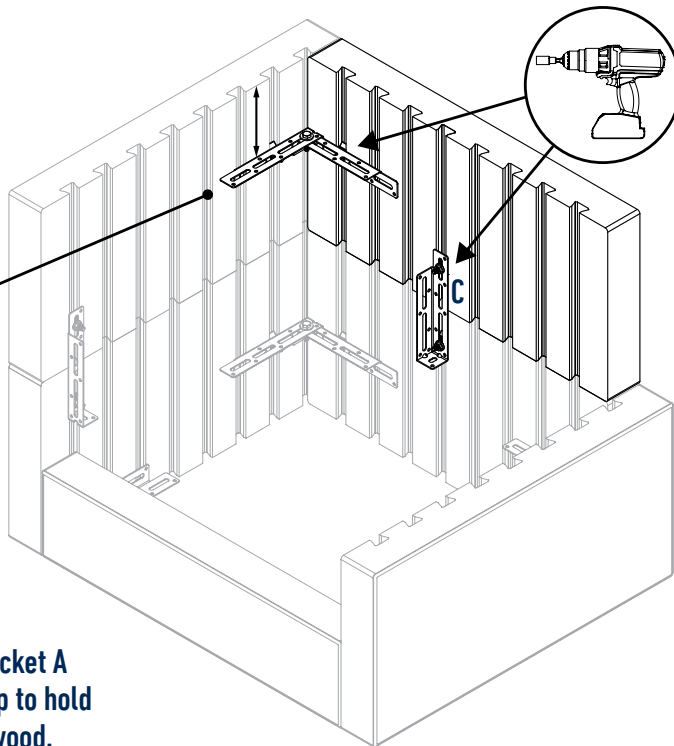
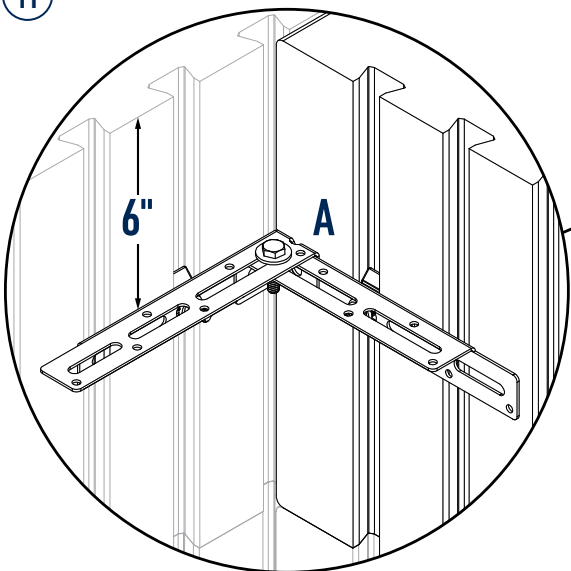


10

Install Bracket A  
flat side up to hold  
the shelf wood.

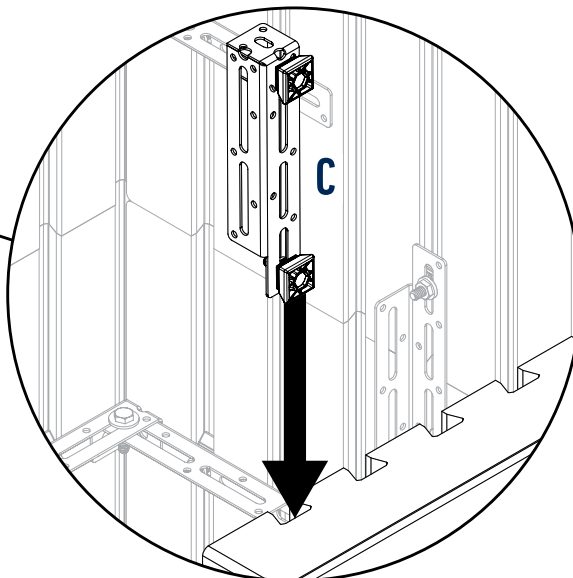
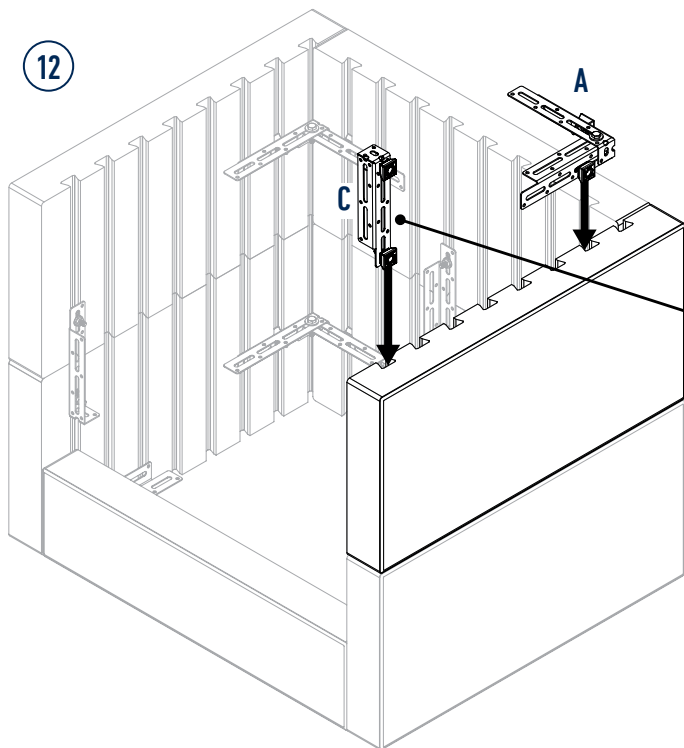


11

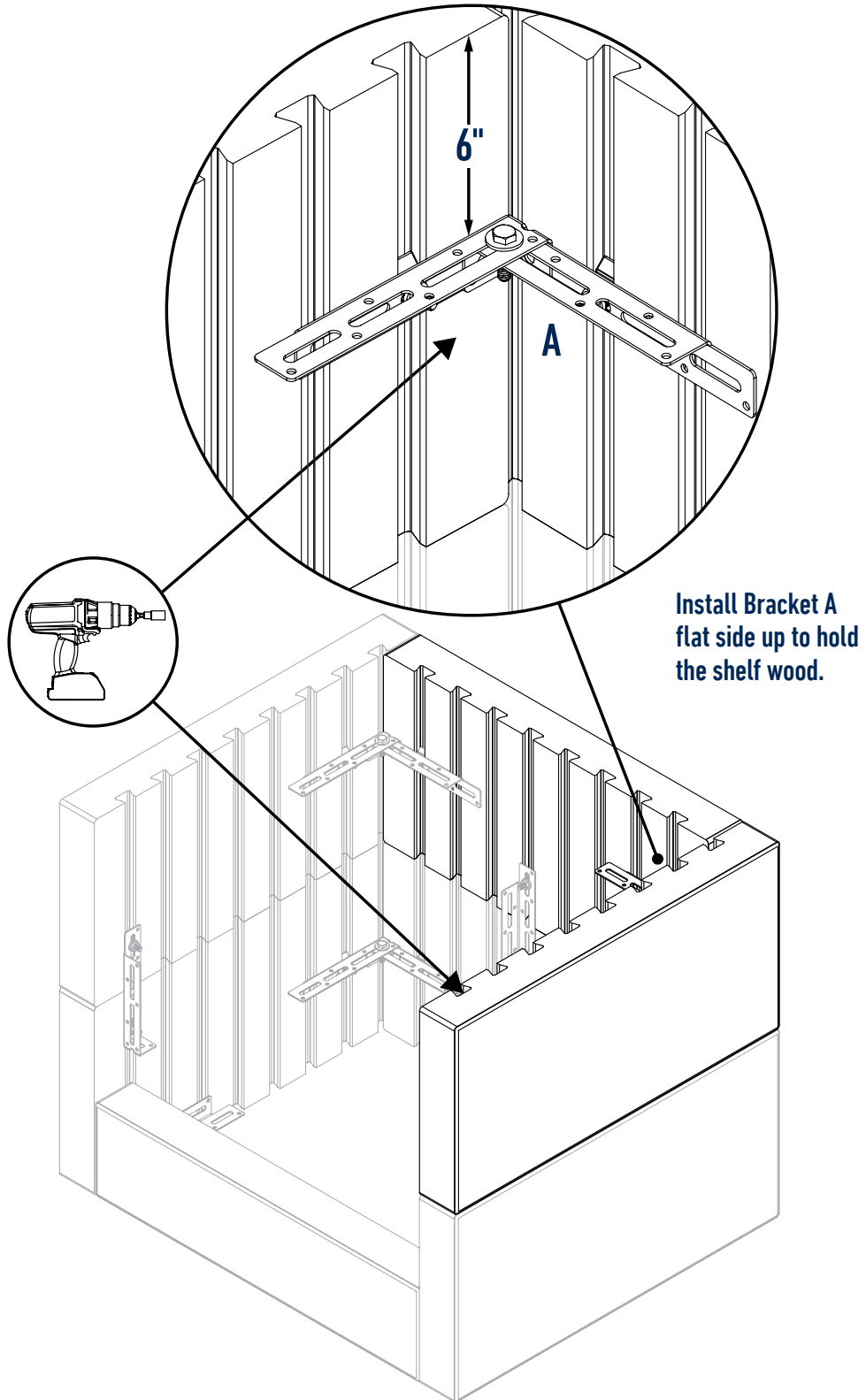


Install Bracket A  
flat side up to hold  
the shelf wood.

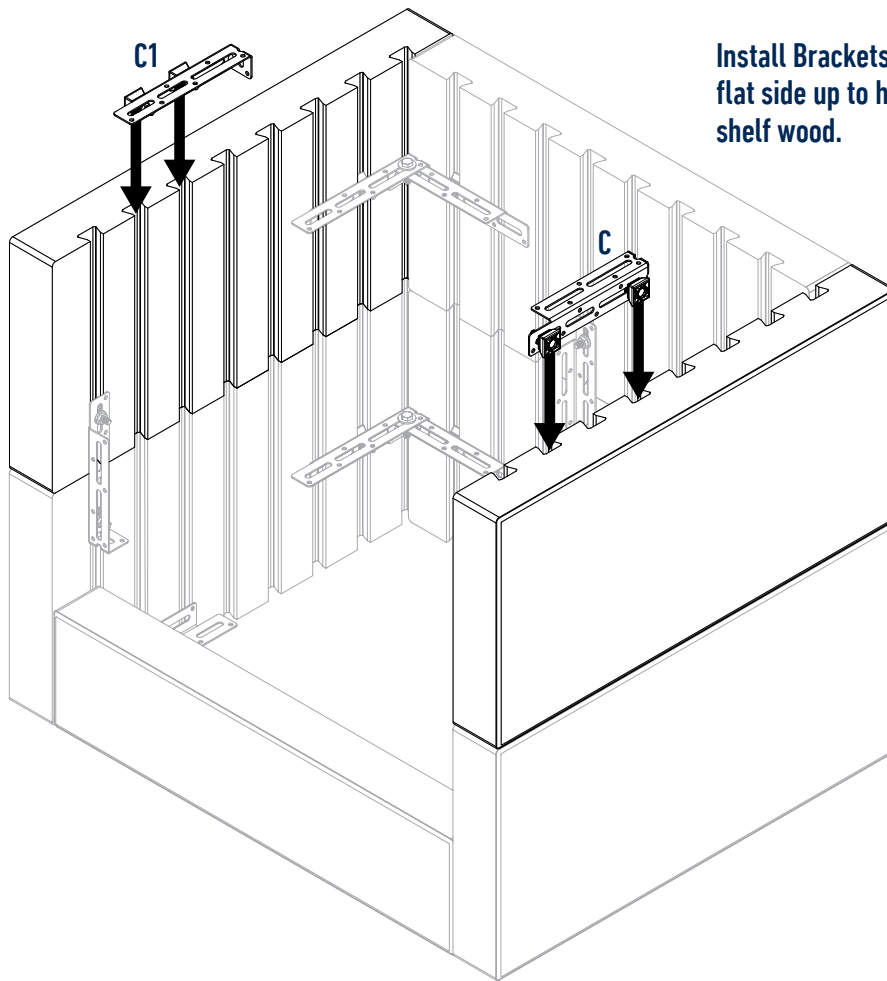
12



13



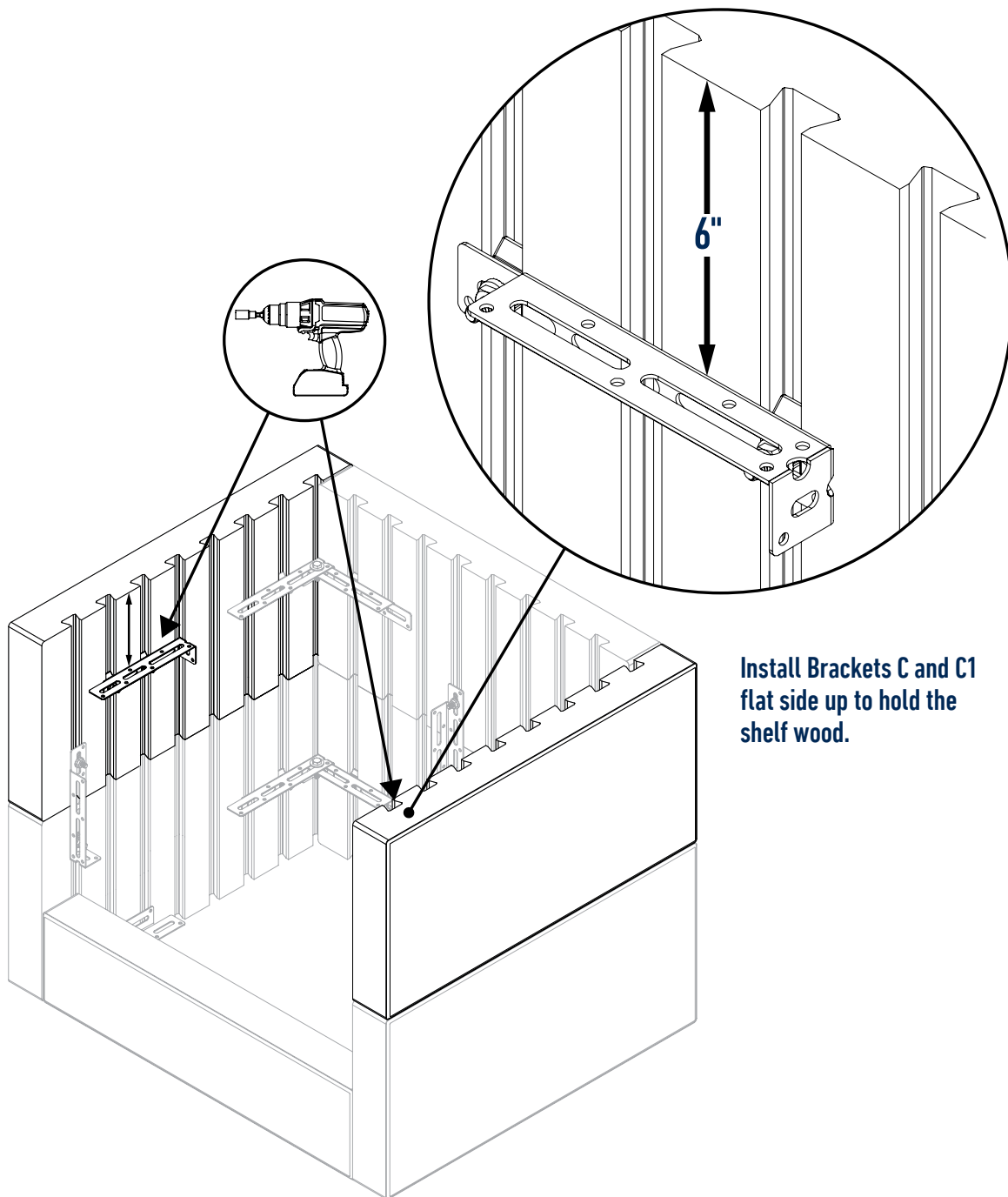
14



Install Brackets C and C1  
flat side up to hold the  
shelf wood.

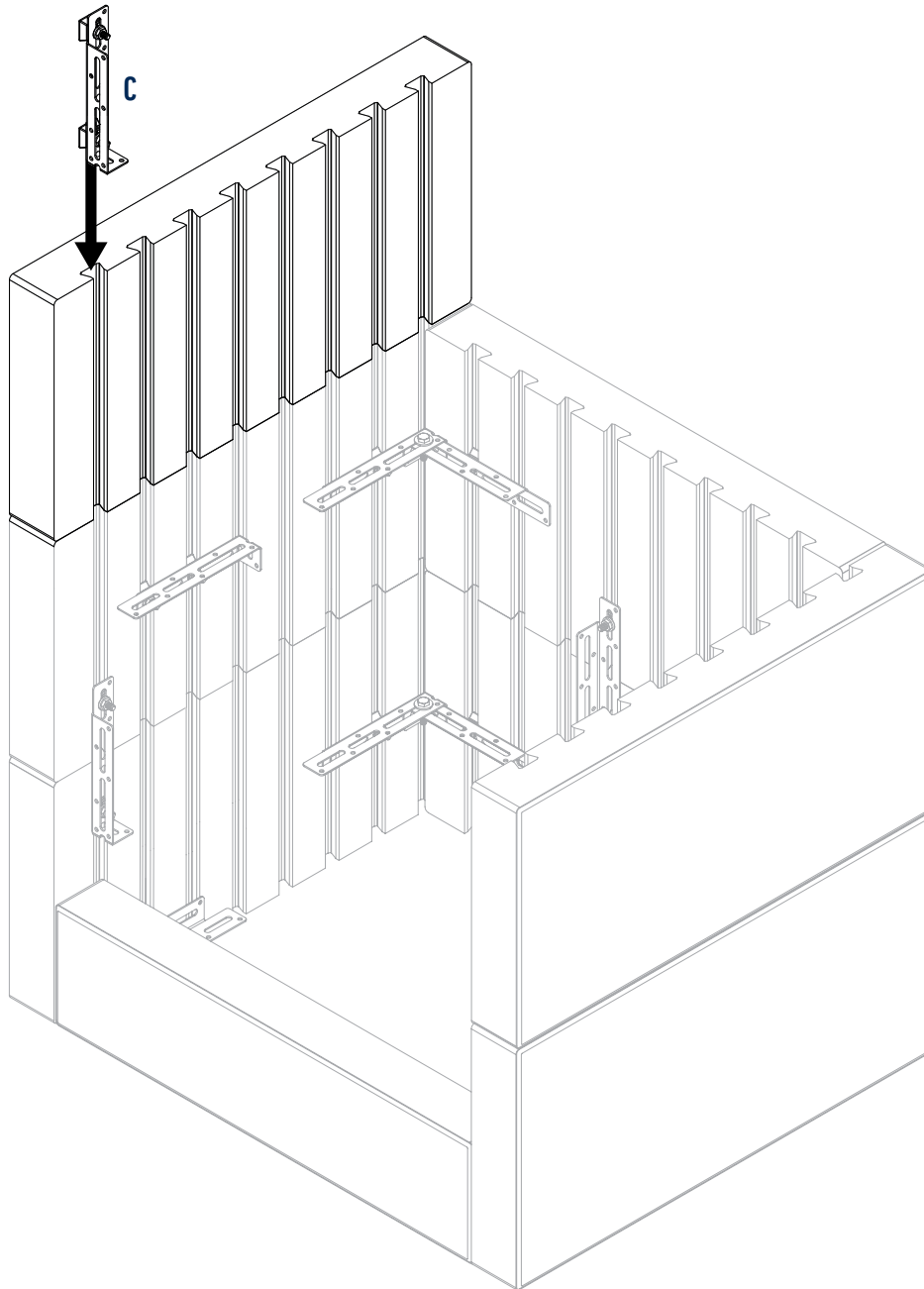


15

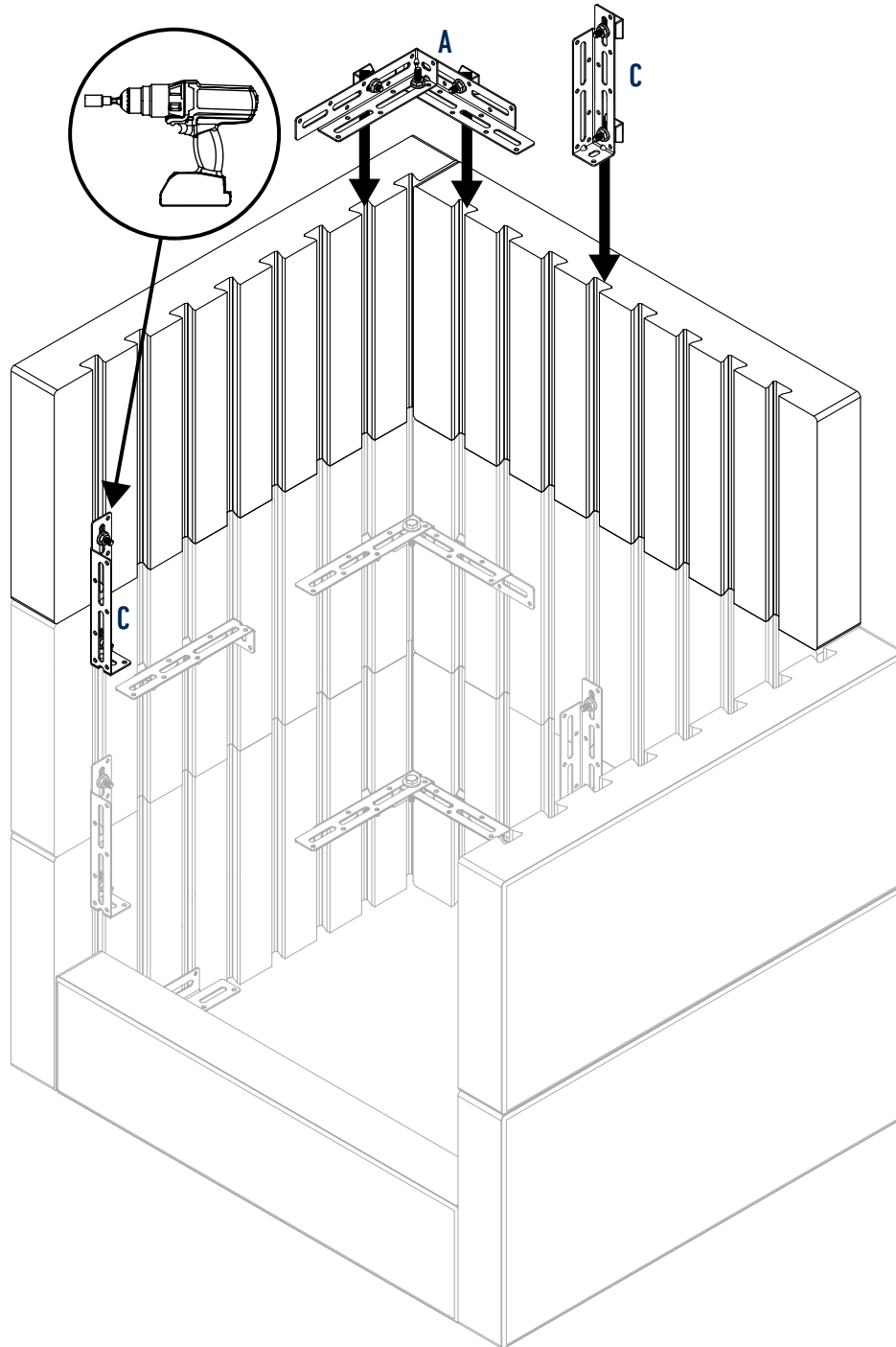


**Install Brackets C and C1  
flat side up to hold the  
shelf wood.**

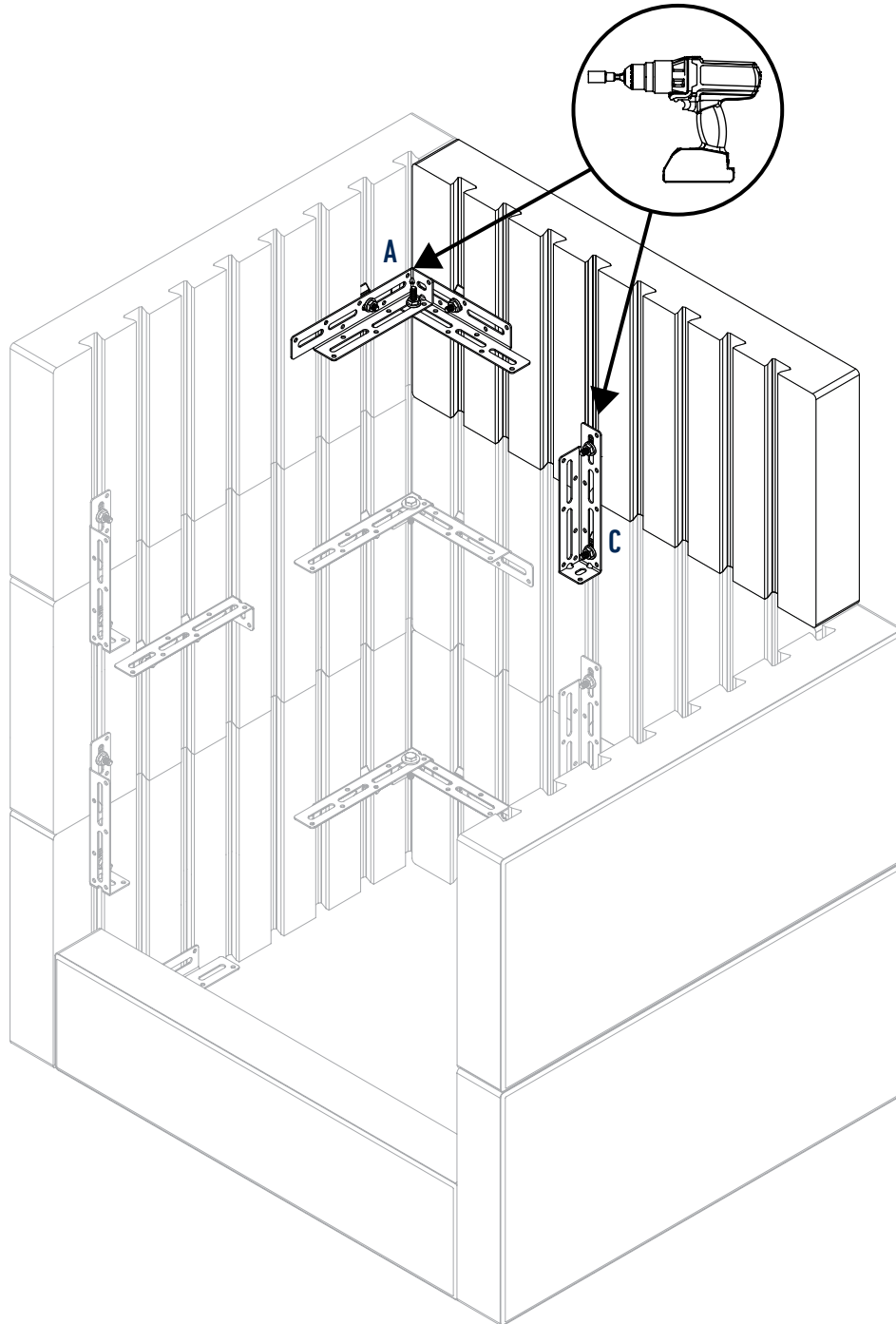
16



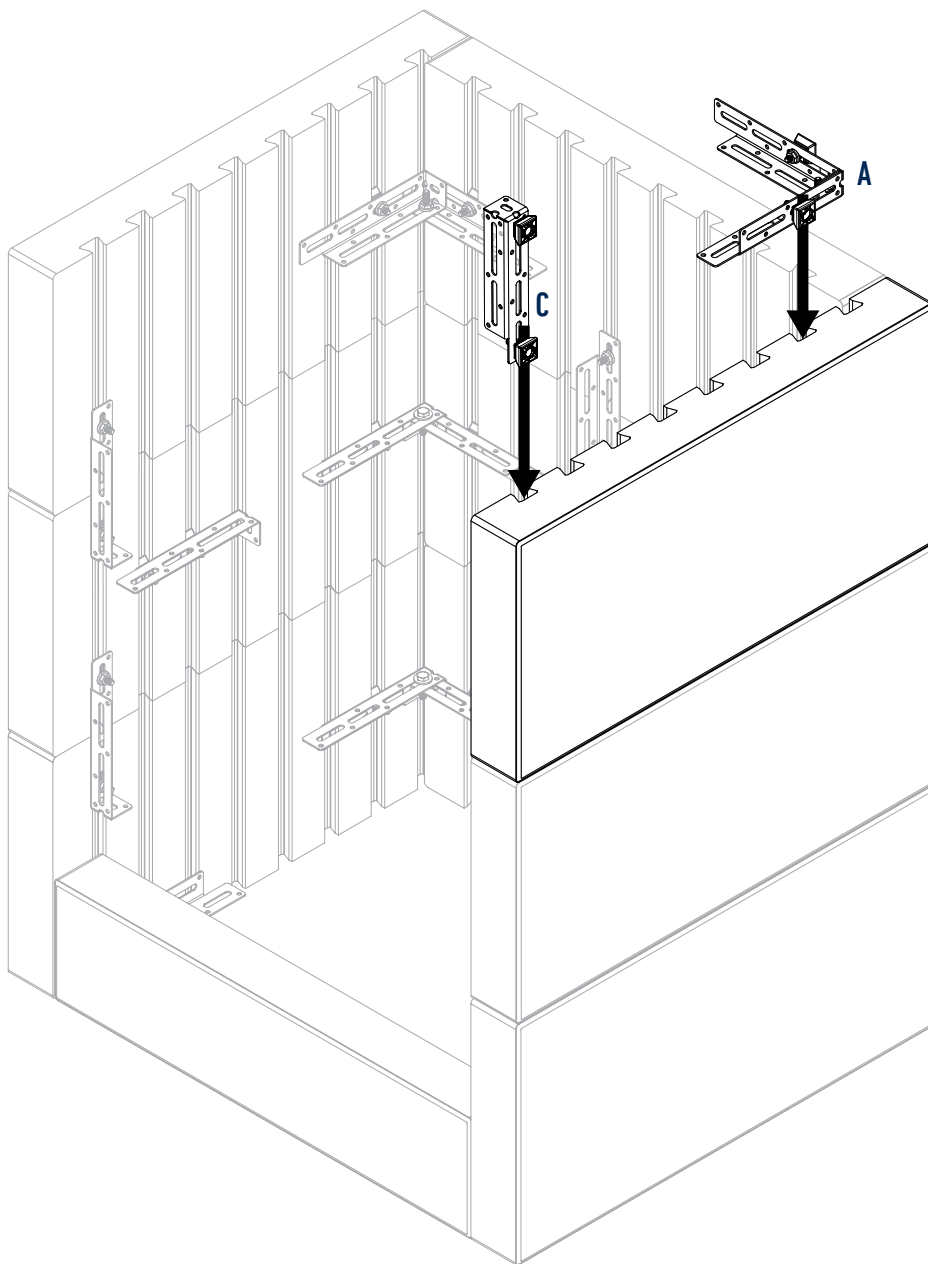
17



18

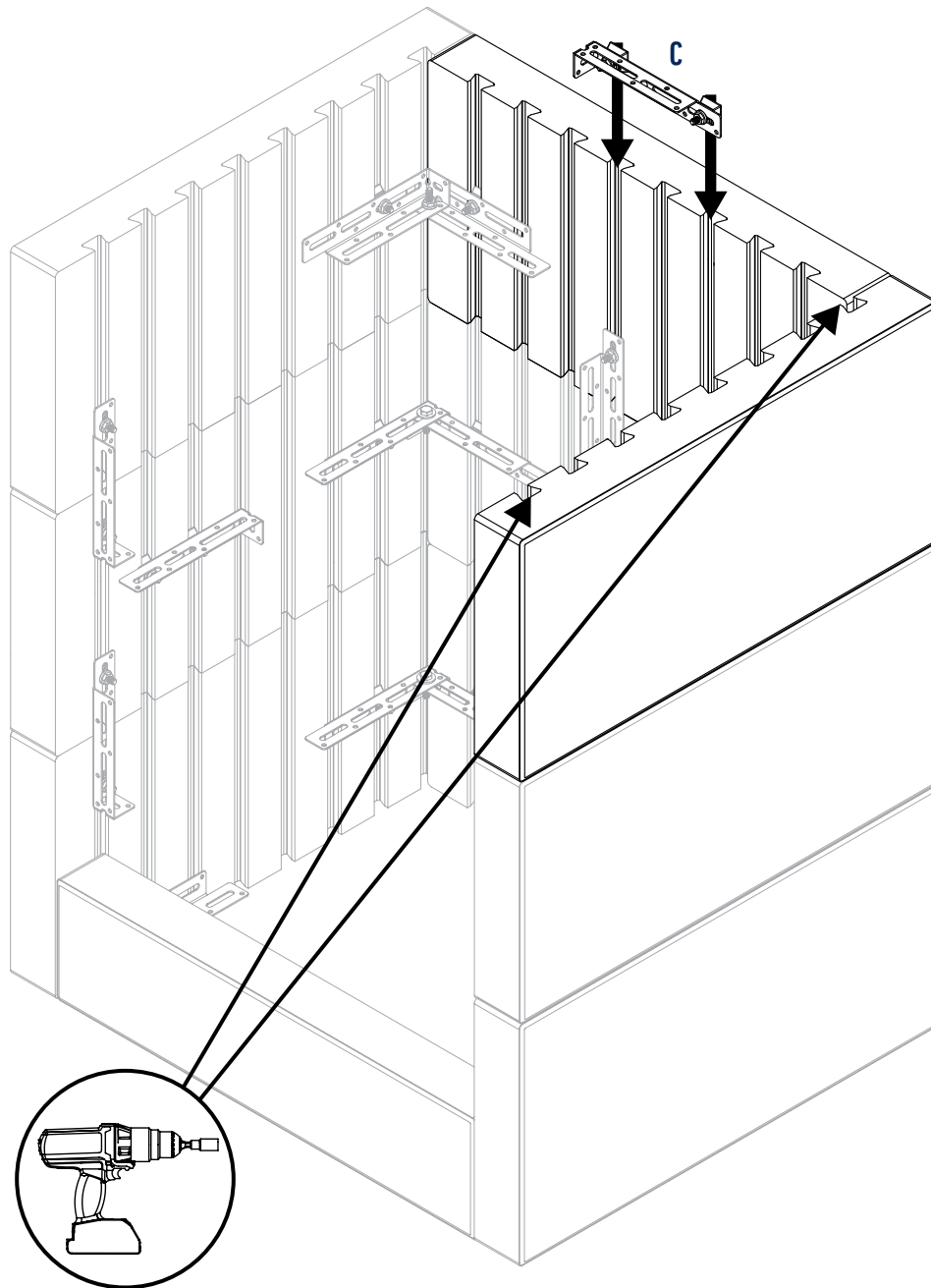


19



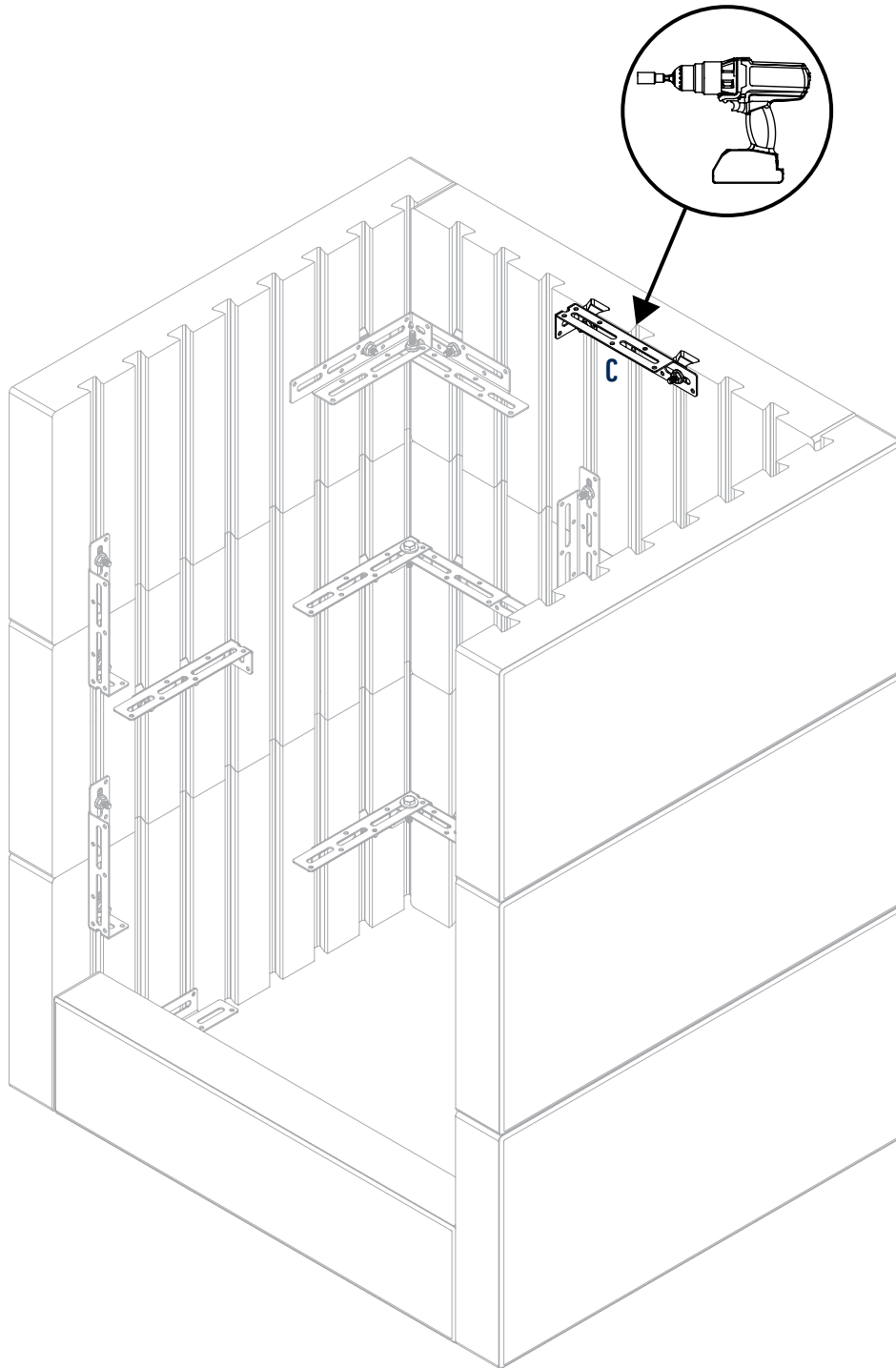


20

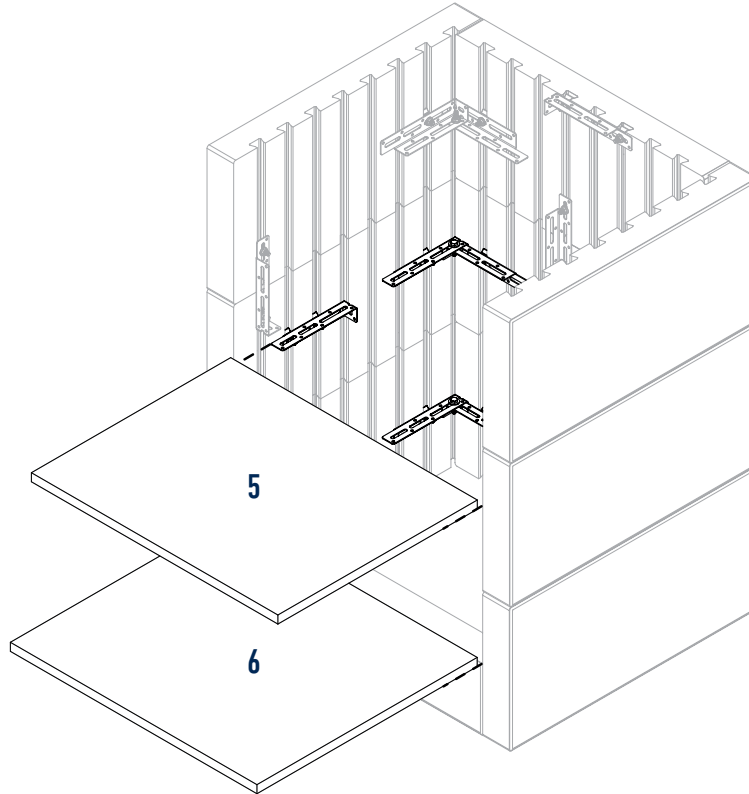




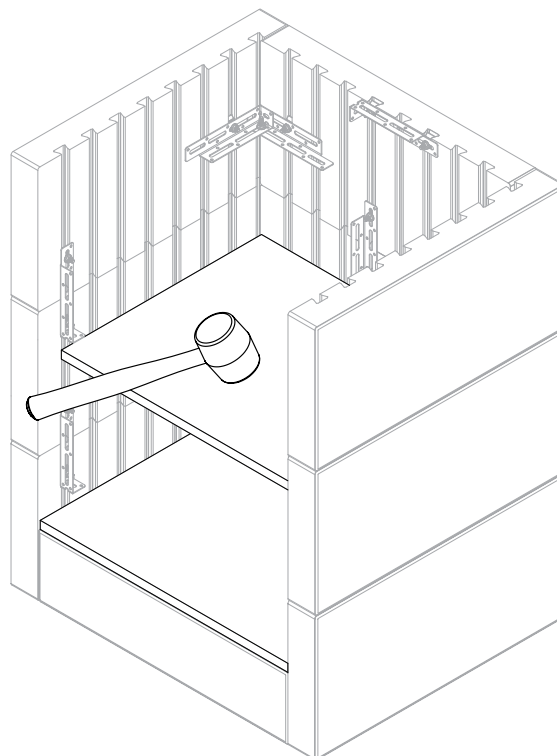
21



22



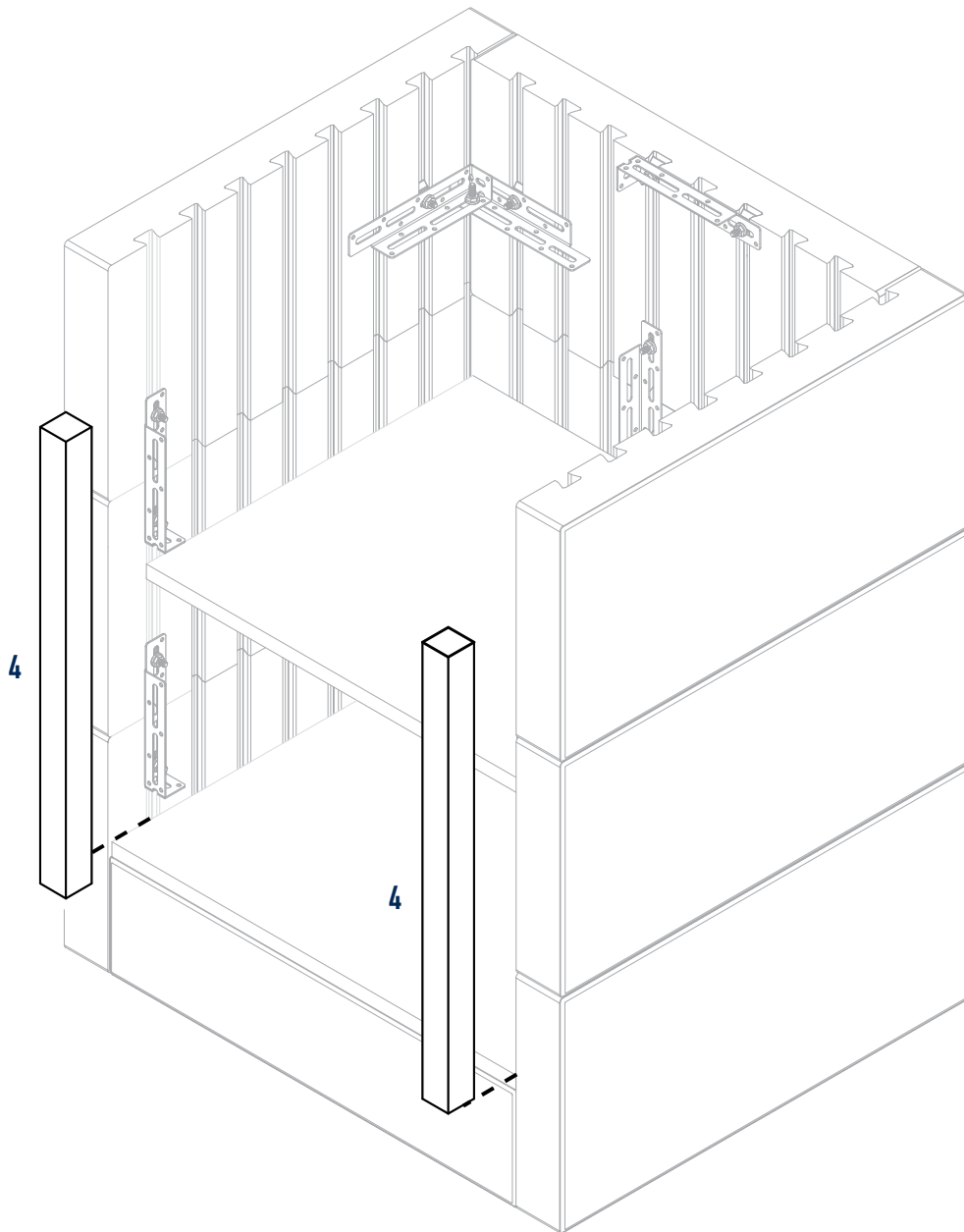
23



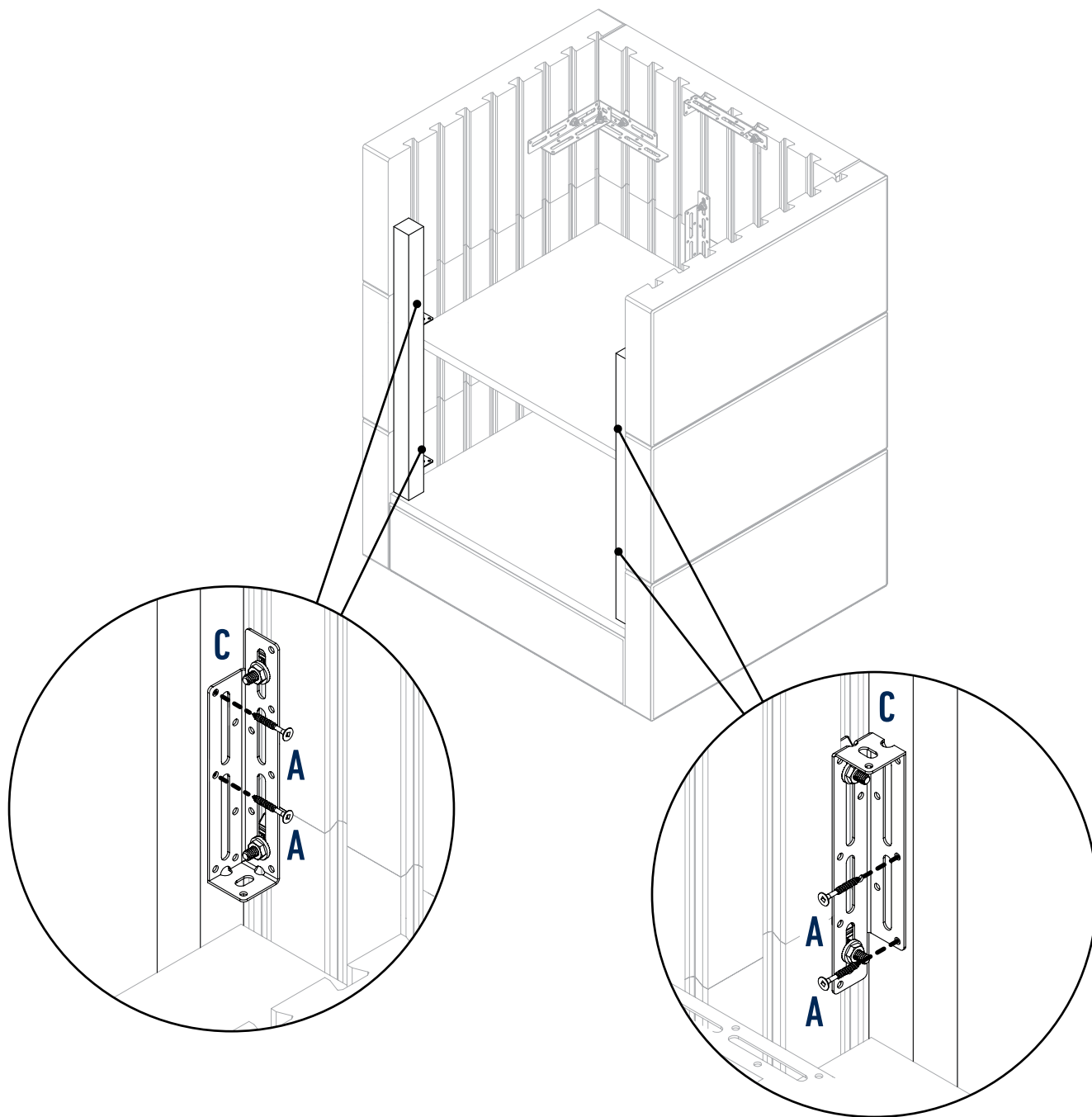




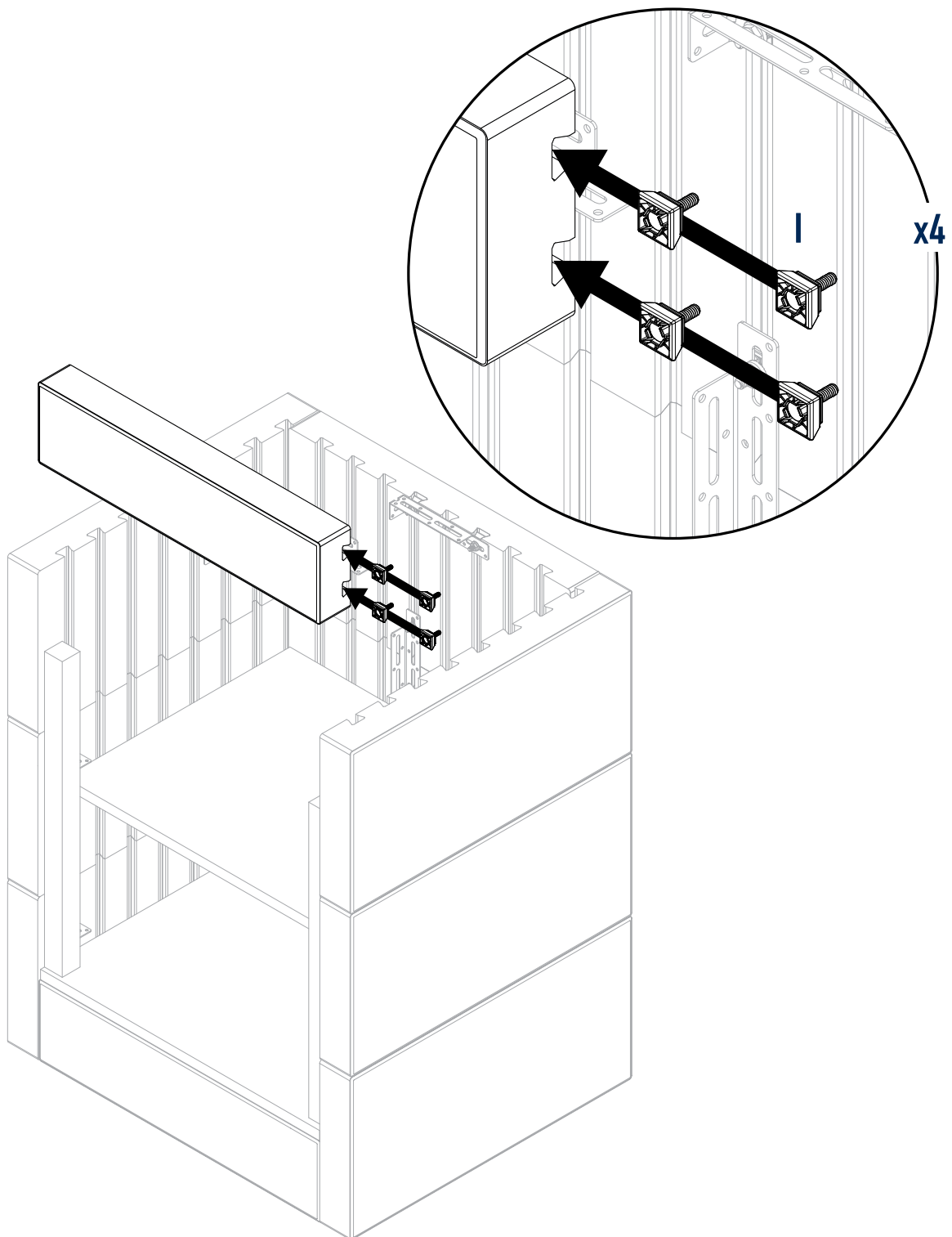
24



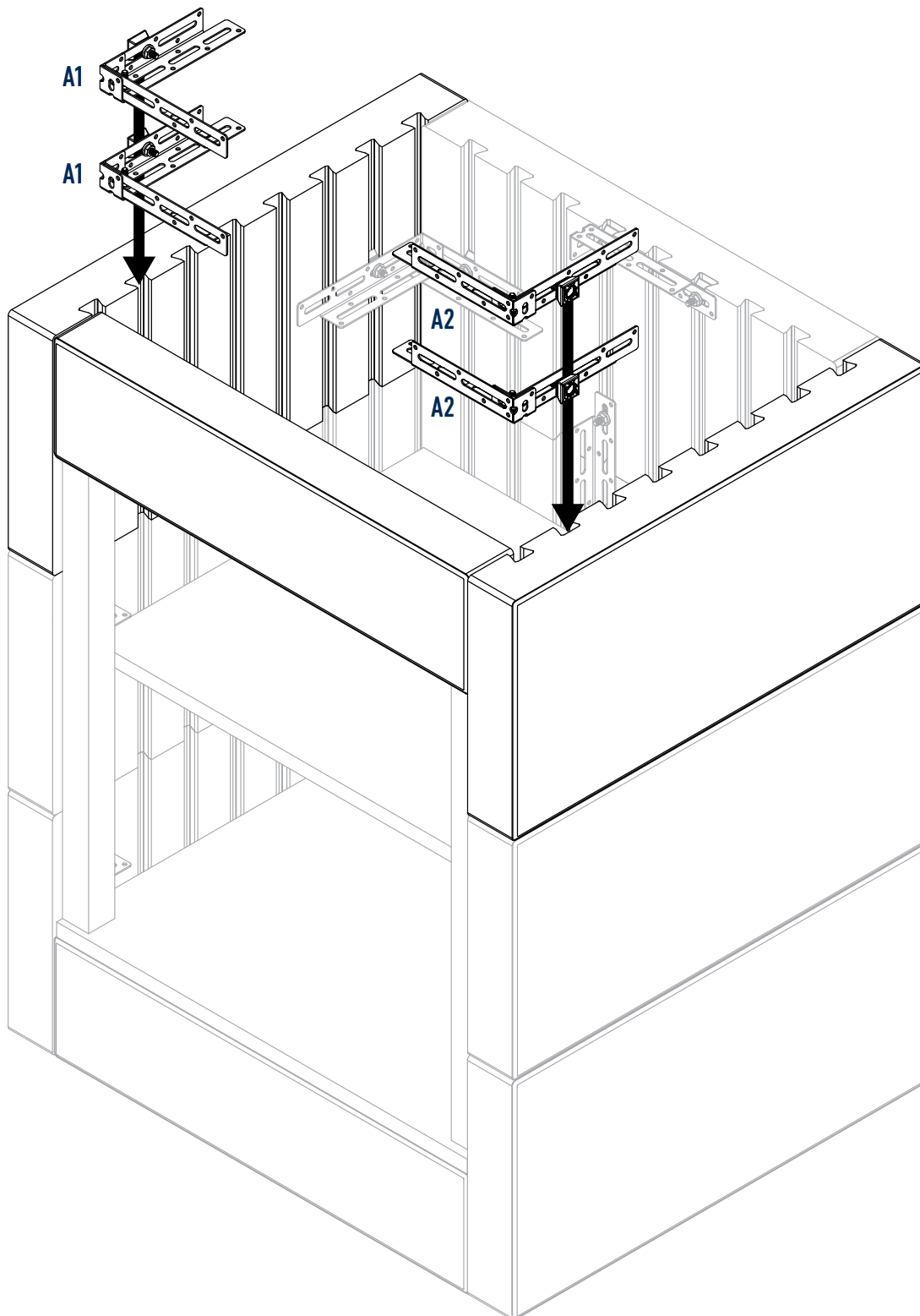
25



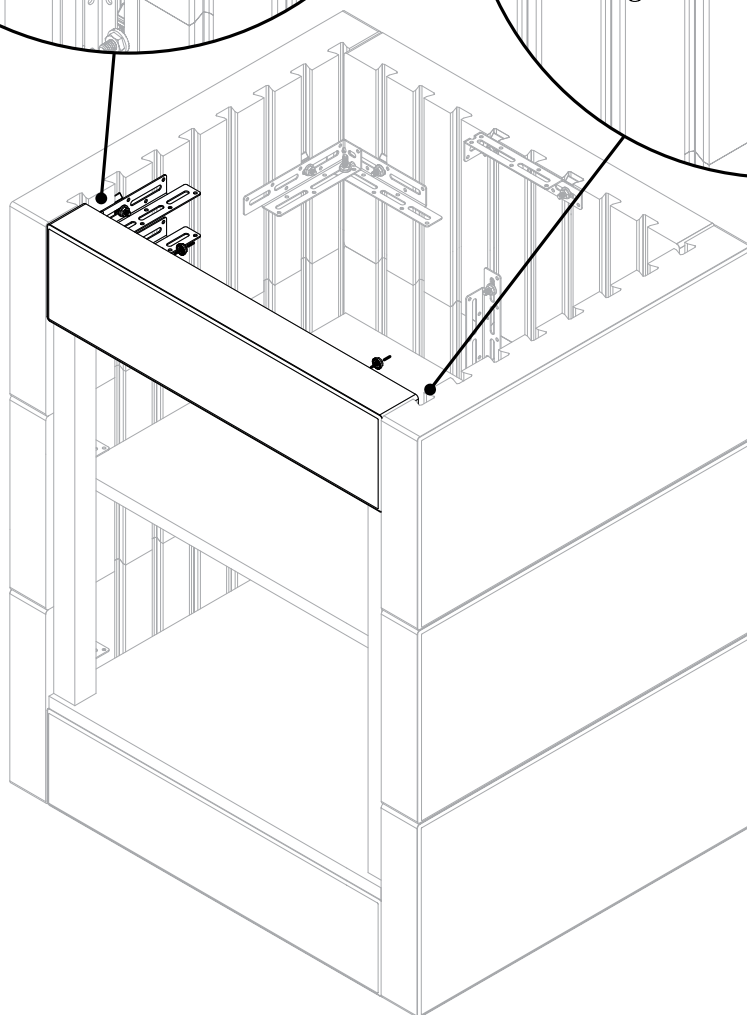
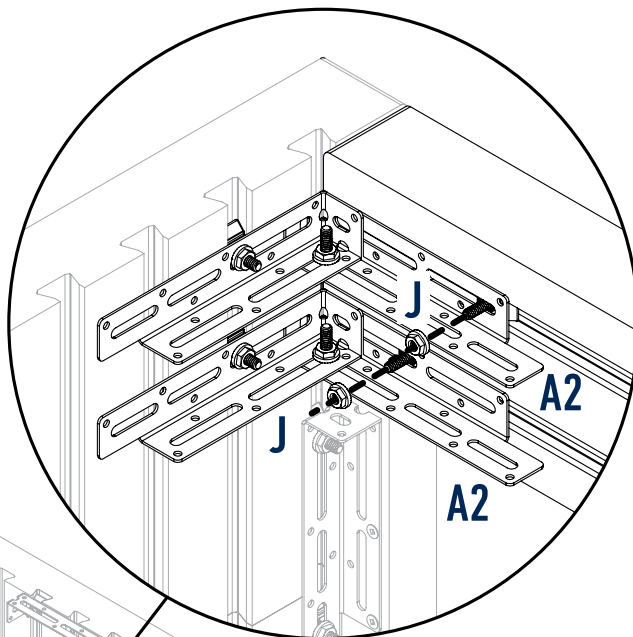
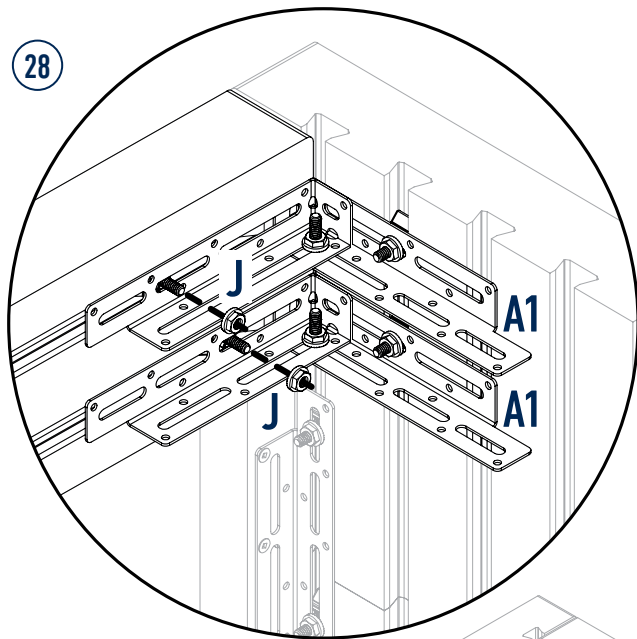
26



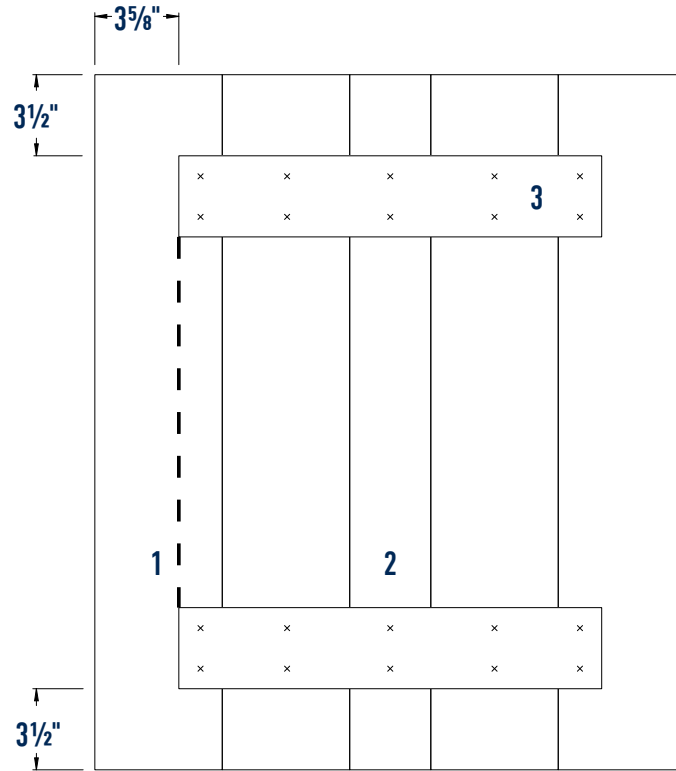
27



28

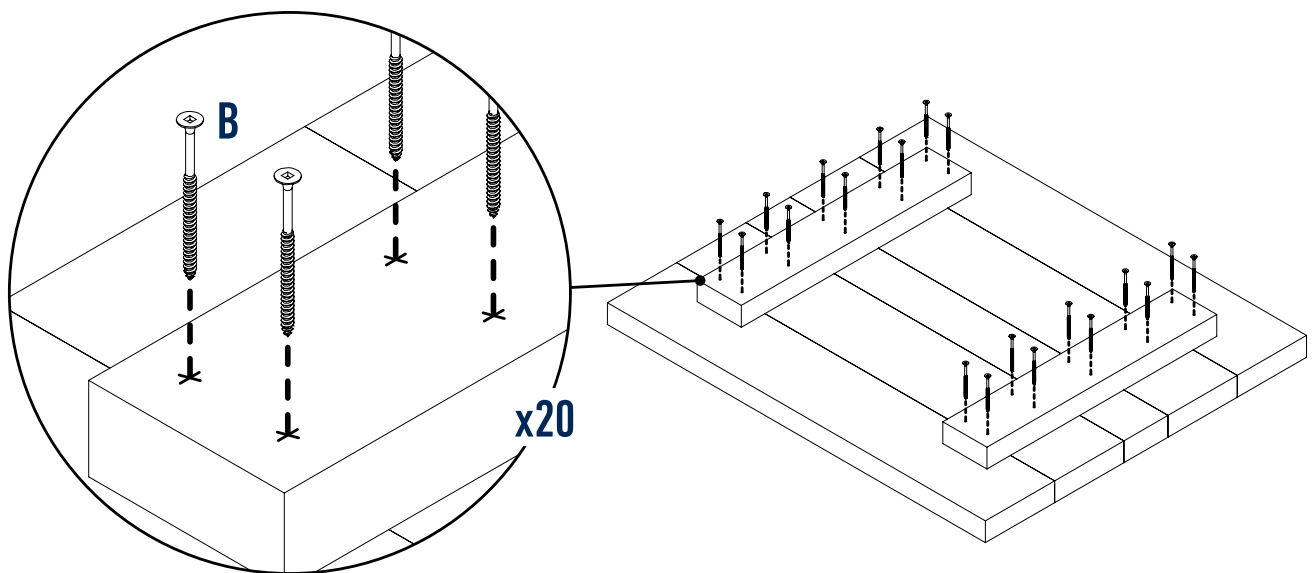


29



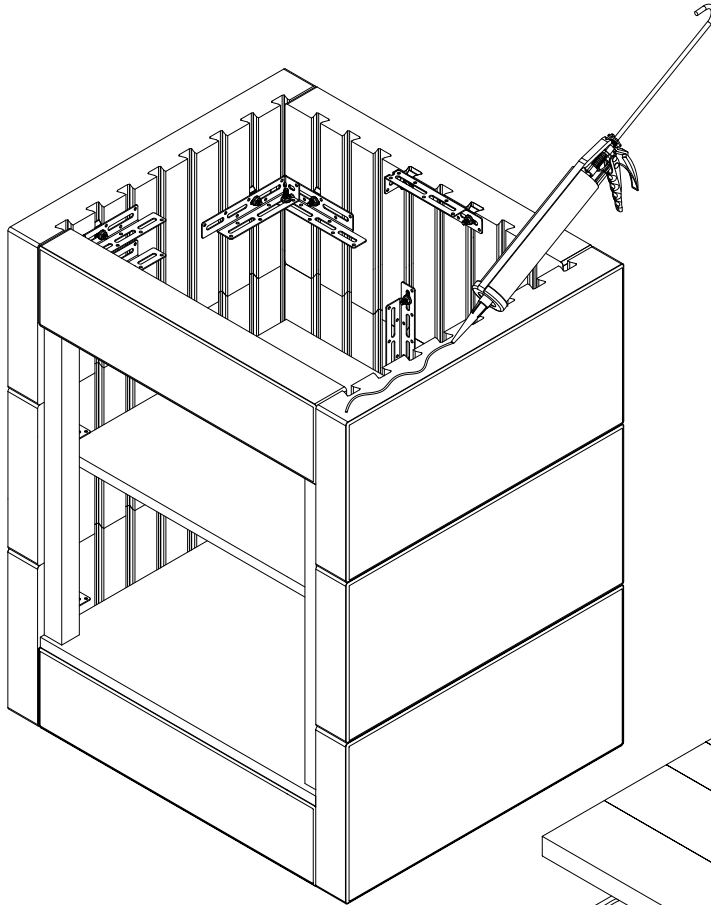
30

Center 2" x 4" between sides when constructing top

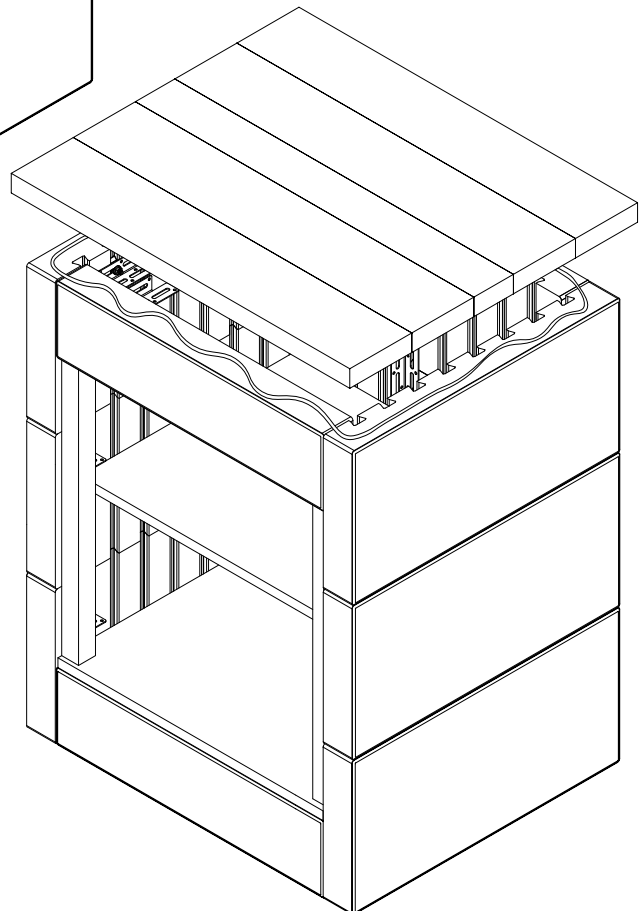




32



33





34

