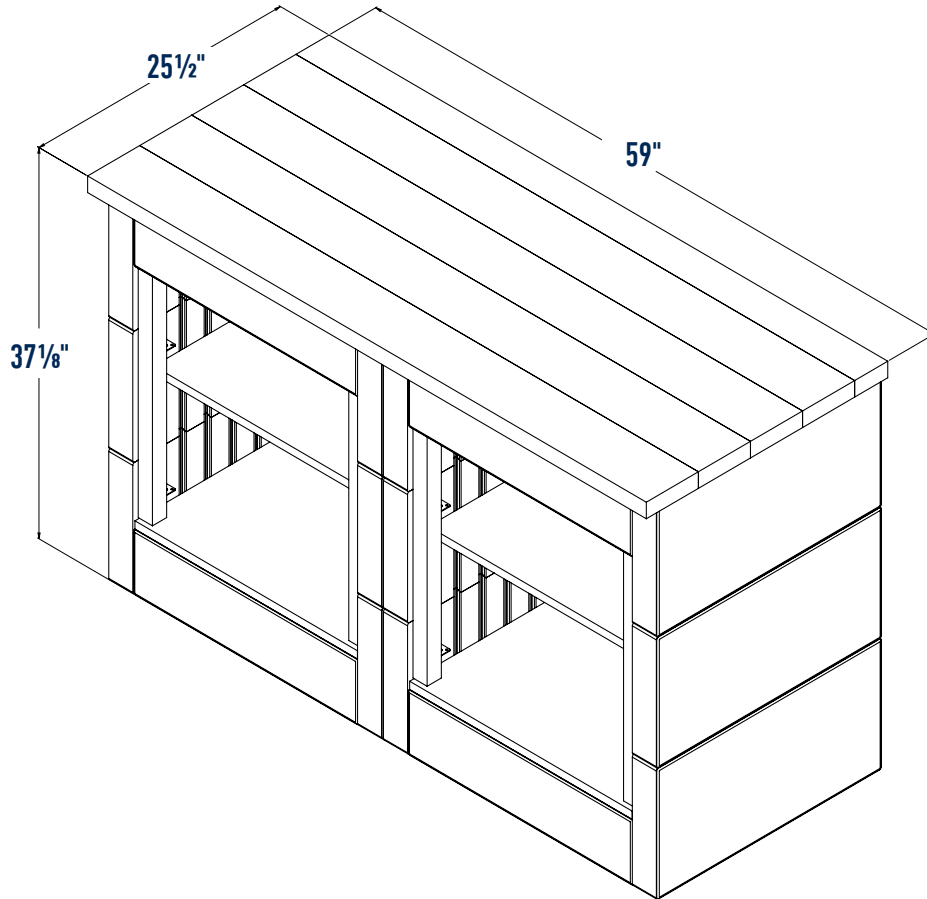




DESIGNFORMS™

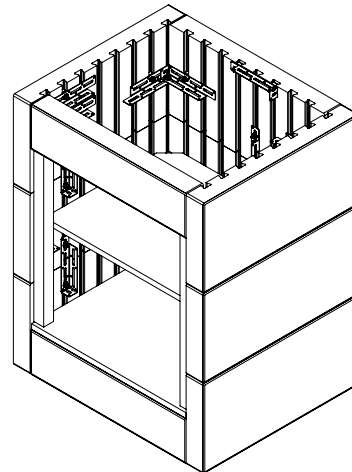
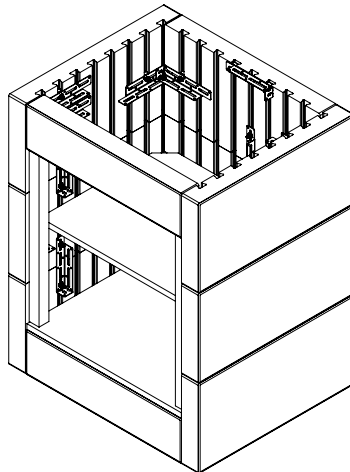


**COUNTER COMBO B
- 2 SHELVING UNITS**

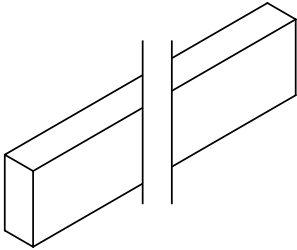
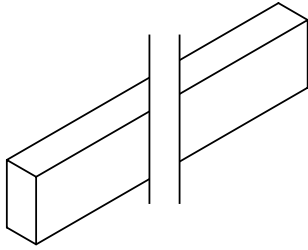
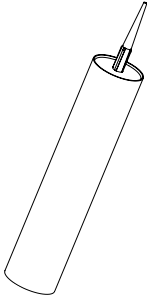



COMPONENTS

Build side by side.
Wood top construction
instructions follow in
this guide.



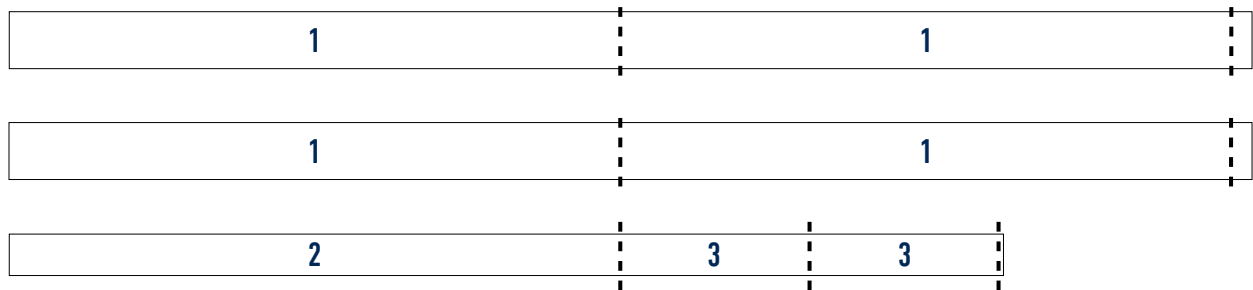
Single Shelf (x2)

<p>2" x 6" x 10' PRESSURE TREATED WOOD</p> <p>x2</p> 	<p>2" x 4" x 8' PRESSURE TREATED WOOD</p> <p>x1</p> 	<p>OUTDOOR SILICONE</p> <p>x1</p> 	<p>B #8 2½" DECK SCREW</p> <p>x20</p> 
---	--	--	--

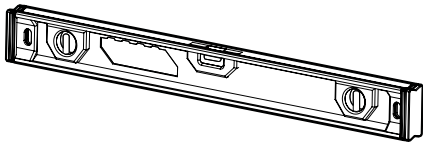
WOOD CUTS

Countertop only.

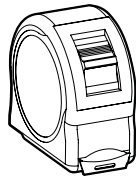
1 = 59"
2 = 59"
3 = 18¼"



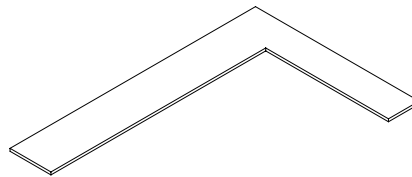
REQUIRED TOOLS



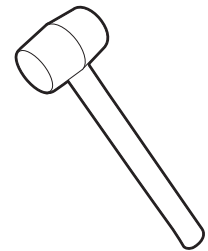
LEVEL



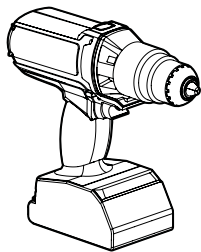
MEASURING TAPE



CARPENTER SQUARE



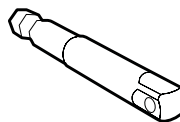
RUBBER Mallet



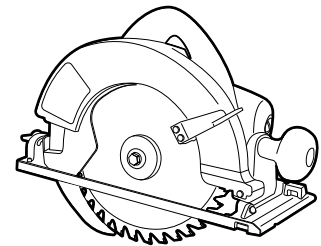
DRILL



**DEEP HEX SOCKET
7/16" WITH 1/4" DRIVE**



**SOCKET ADAPTOR
1/4" HEX SHANK TO 1/4" DRIVE**

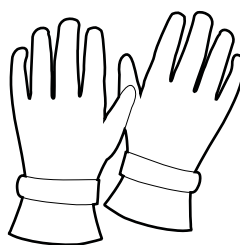


SKILL SAW

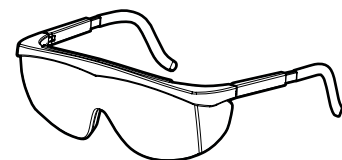
SAFETY EQUIPMENT



SAFETY BOOTS



GLOVES

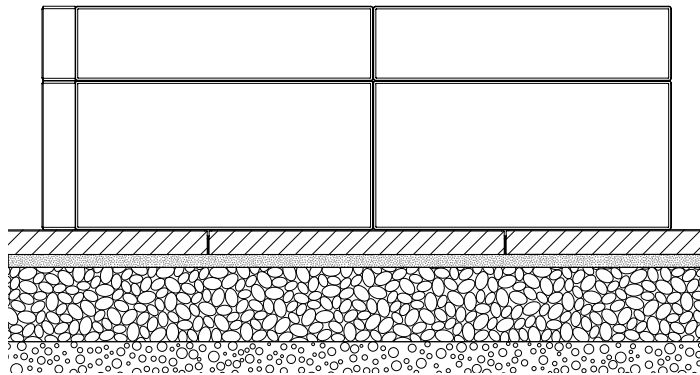


SAFETY GLASSES

BASE PREPARATION

ALWAYS LEVEL GROUND BEFORE INSTALLATION

ON NEW OR EXISTING PATIO



SLAB OR PAVER



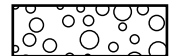
BEDDING SAND 1"



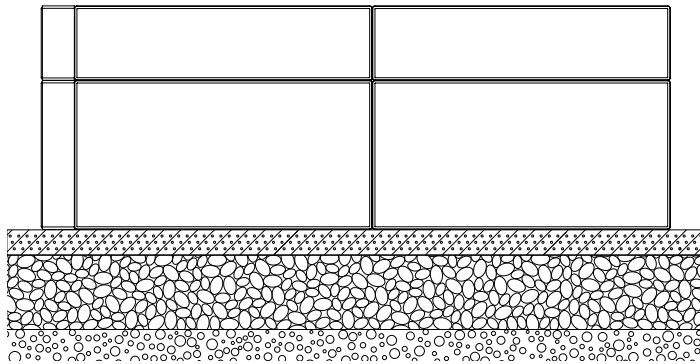
COMPACTED AGGREGATES 6" - 8"



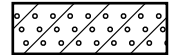
SOIL



ON POURED CONCRETE



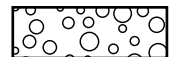
REINFORCED POURED CONCRETE FOUNDATION 2"



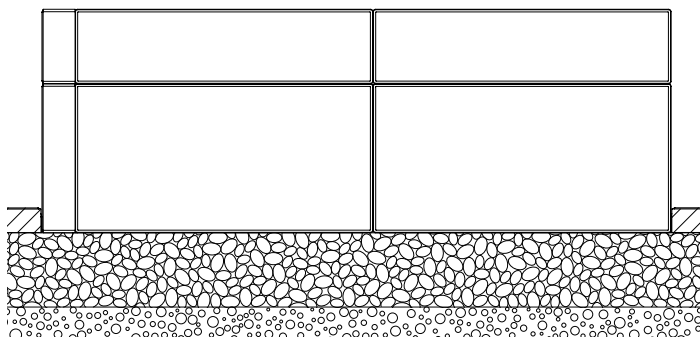
COMPACTED AGGREGATES 6" - 8"



SOIL



ON COMPACTED FOUNDATION



SLAB OR PAVER



COMPACTED AGGREGATES 6" - 8"



SOIL



TIPS & TRICKS

READ ALL INSTRUCTIONS BEFORE ASSEMBLY

PREBUILD:

- Prebuild all hardware prior to starting build.
- When assembling hardware SNAP the bolt into place with the plastic sliders. Pressing down on something flat and hard will help. (Fig. A)
- Do not over hand tighten the slider/bolt piece and the nut on the completed brackets. They should be loosely attached so they slide into the channels on the panels. Leave a space of ¼ in. (Fig. B)

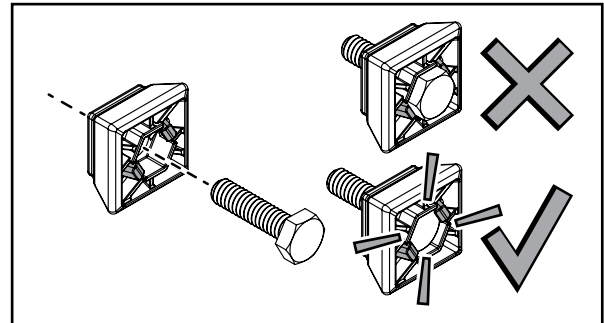


Fig. A

INSTALL:

- Always start in the corner when starting a build. (Fig. C)
- Set the drill clutch (torque) at a low level to deliver a torque range of 50-65lbs per inch. Refer to your drill manual for torque adjustment instructions.
- Use a rubber mallet to assist with moving/aligning/adjusting panel placement during assembly.

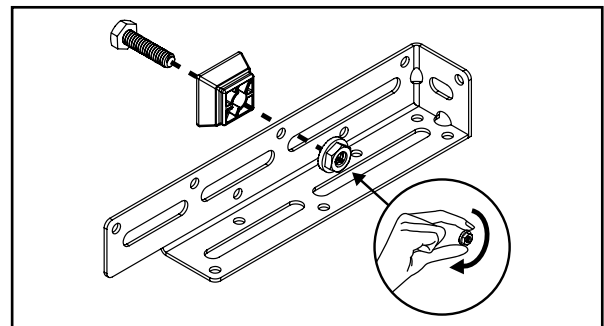


Fig. B

WHEN BUILDING WOODEN COMPONENTS:

- Do not exceed prescribed length. Exact measurements are required for proper assembly.
- Ensure your cuts are straight.
- Do not over tighten the screws into the wood - this can cause buckling.
- Pre-drill holes for 45° corner assemblies.
- Use cedar or pressure treated wood for outdoor use.
- Seal wooden components for prolonged use.

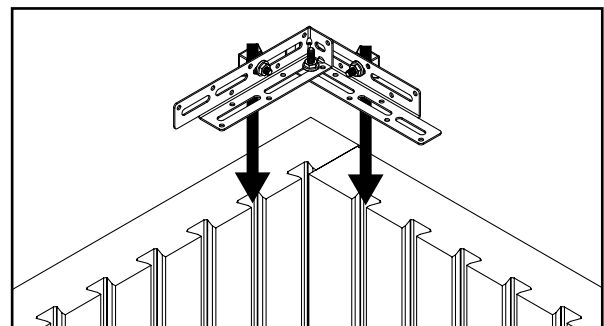
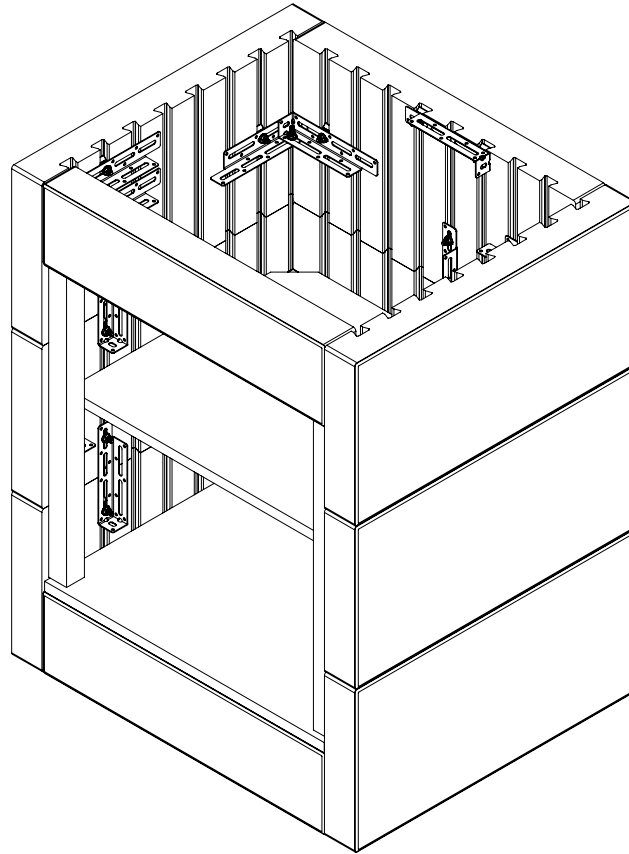


Fig. C

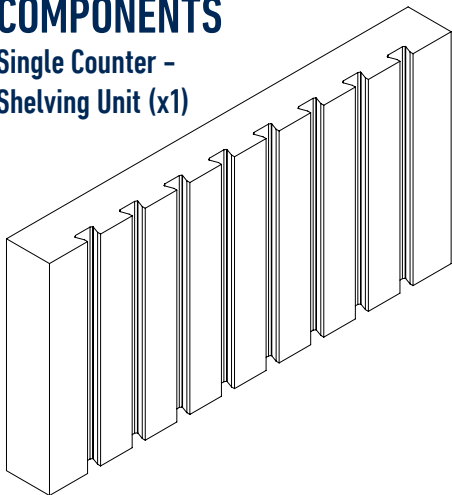
WHEN BUILDING PLANTERS:

- Line the inside of the planters or garden beds with a geotextile fabric to help with water management.

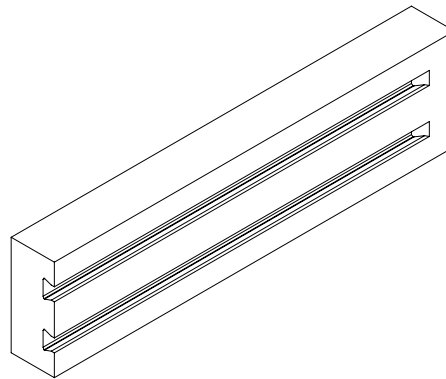


COMPONENTS

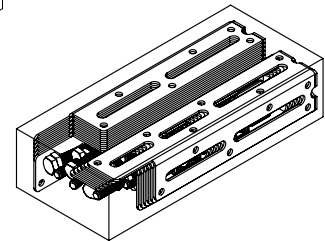
Single Counter -
Shelving Unit (x1)



Large Panel (x9)
12" x 24"



Small Panel (x2)
6" x 24"



Hardware Kit (x3)

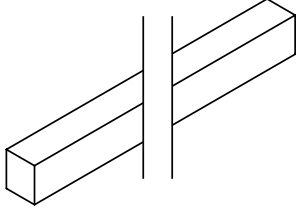
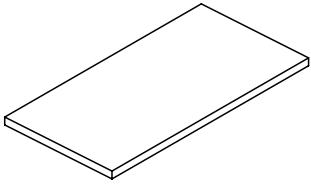
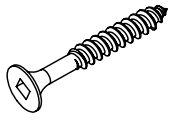


DESIGNFORMS™

COMPONENT 1 SINGLE COUNTER – SHELVING UNIT

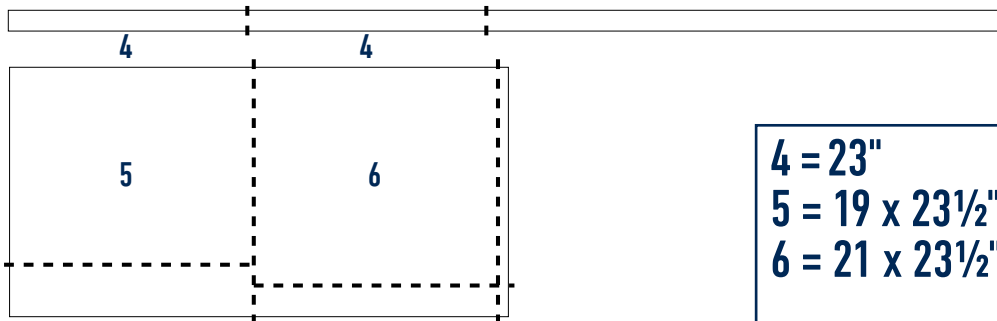
Shelves for one shelving unit only.

Double materials and cuts to
build matching shelving units.

2" x 2" x 8' PRESSURE TREATED WOOD 	x1	2' x 4' x 3/4" PLYWOOD 	x1	A #8 1 1/4" DECK SCREW 	x10
--	-----------	--	-----------	---	------------

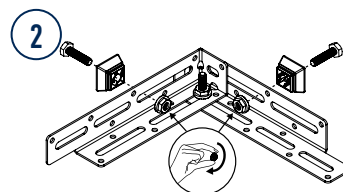
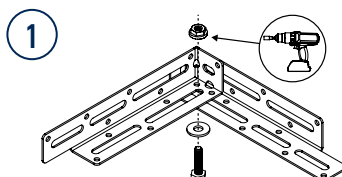
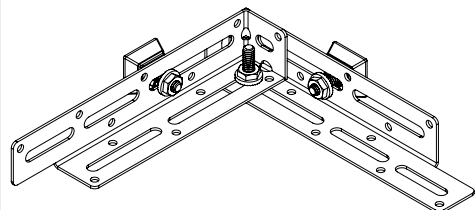
WOOD CUTS

Shelves for one shelving unit only.



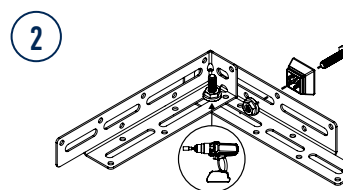
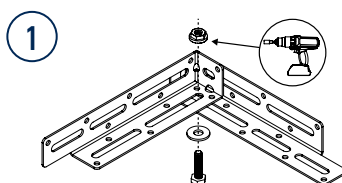
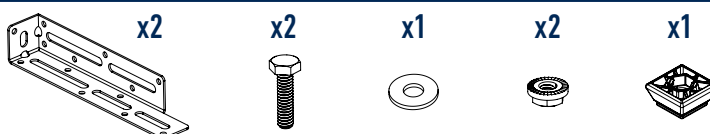
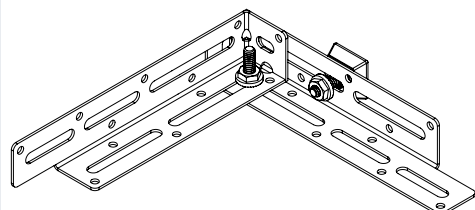
BRACKET A

x6



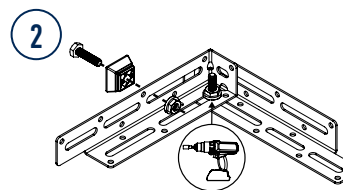
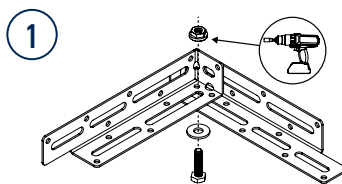
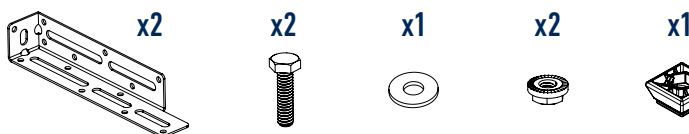
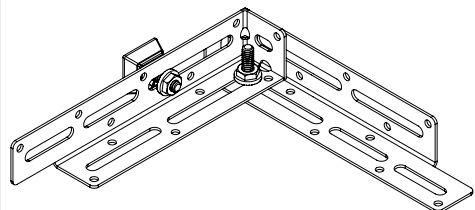
BRACKET A1

x3



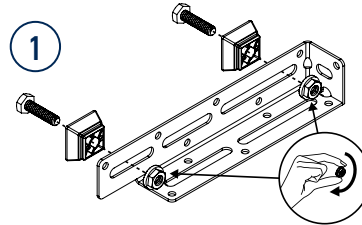
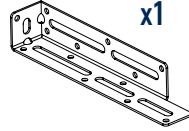
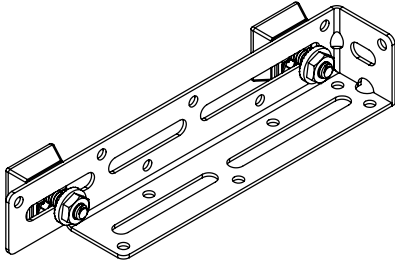
BRACKET A2

x3



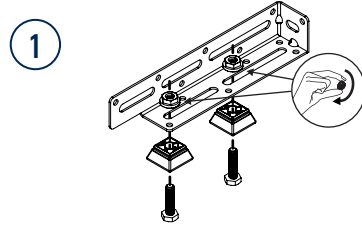
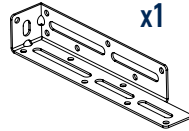
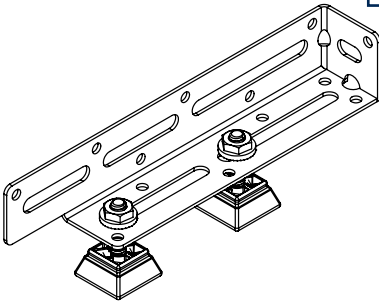
BRACKET C

x8



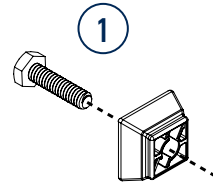
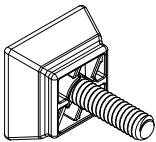
BRACKET C1

x1



ASSEMBLY I

x6

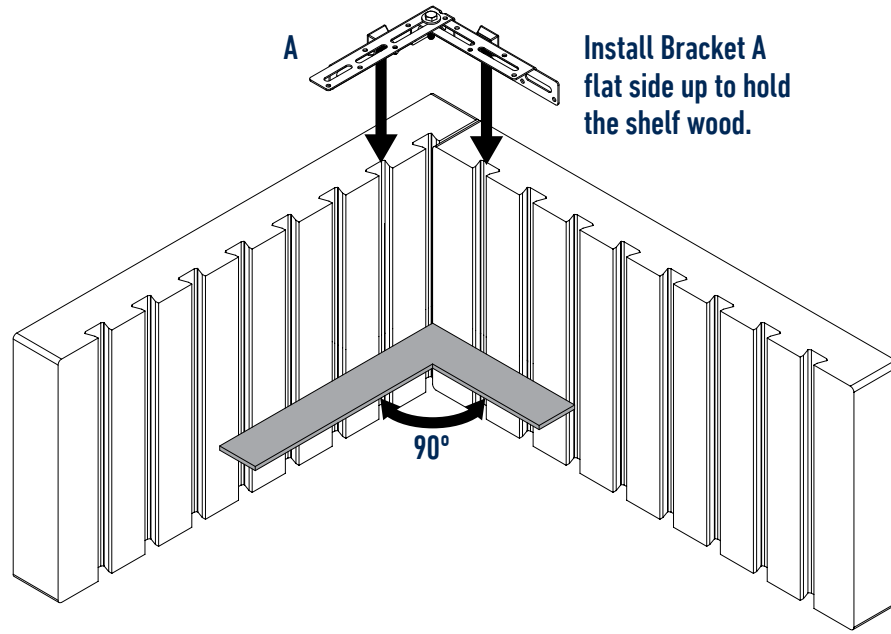


J

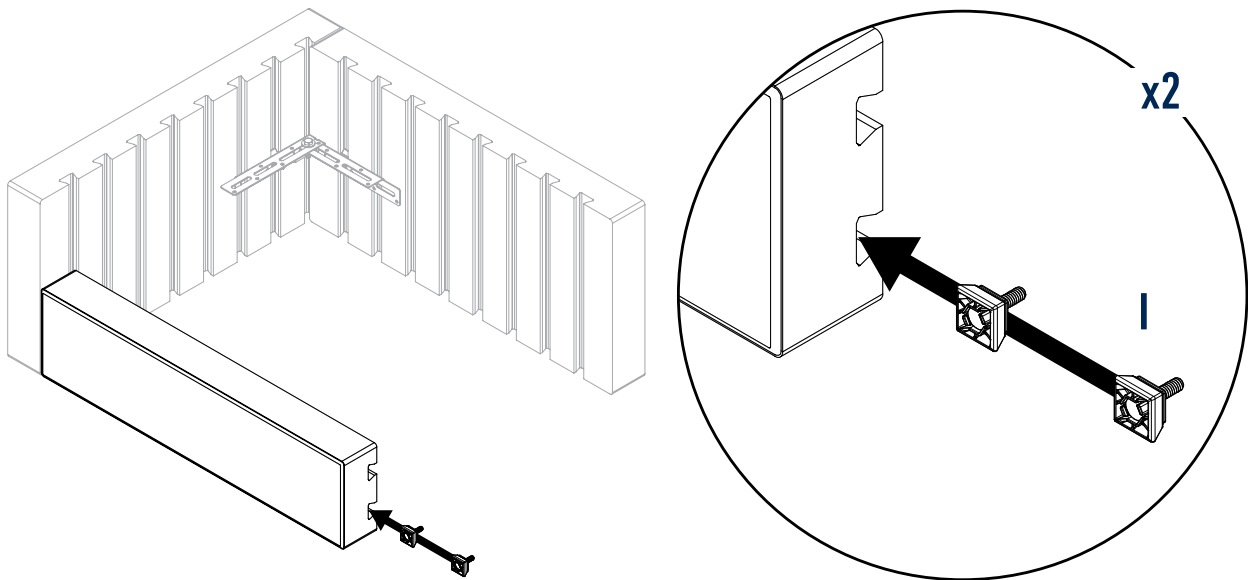
x6



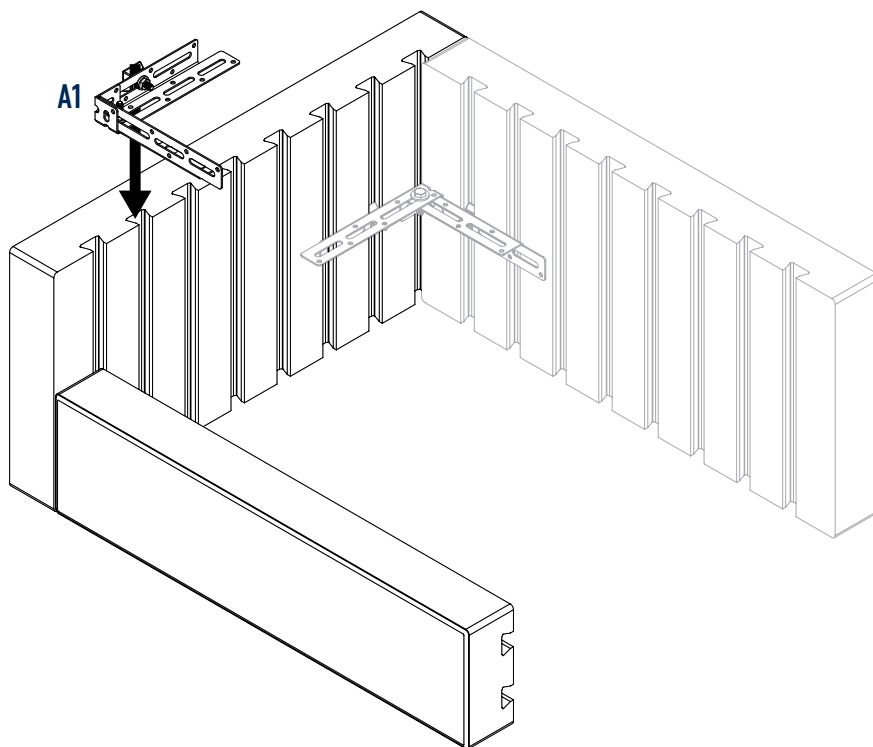
1



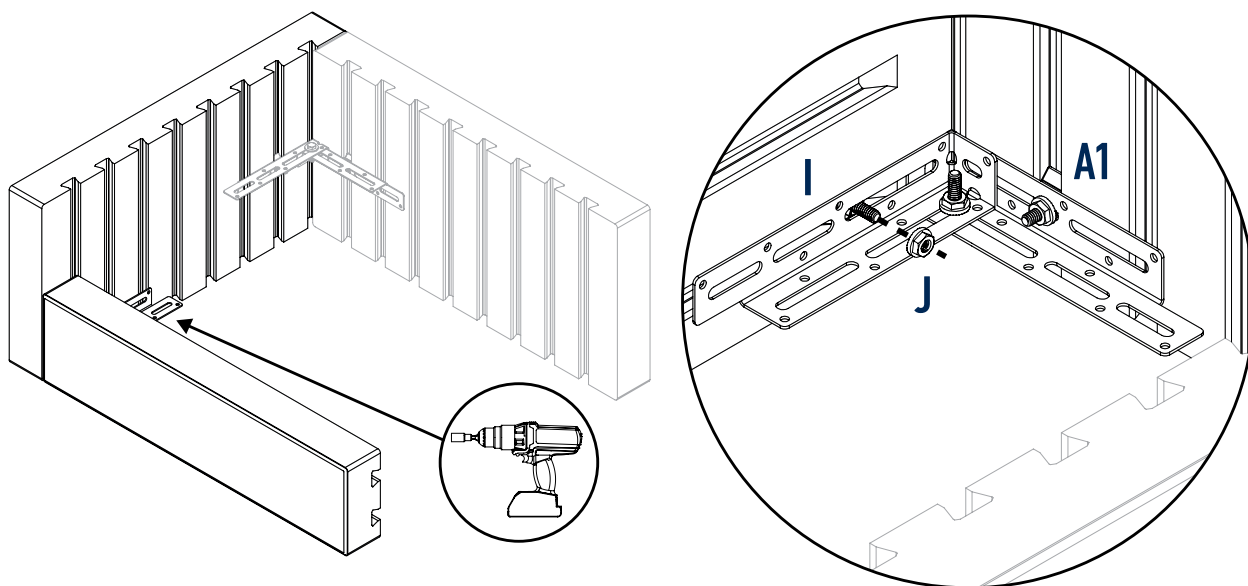
2



3

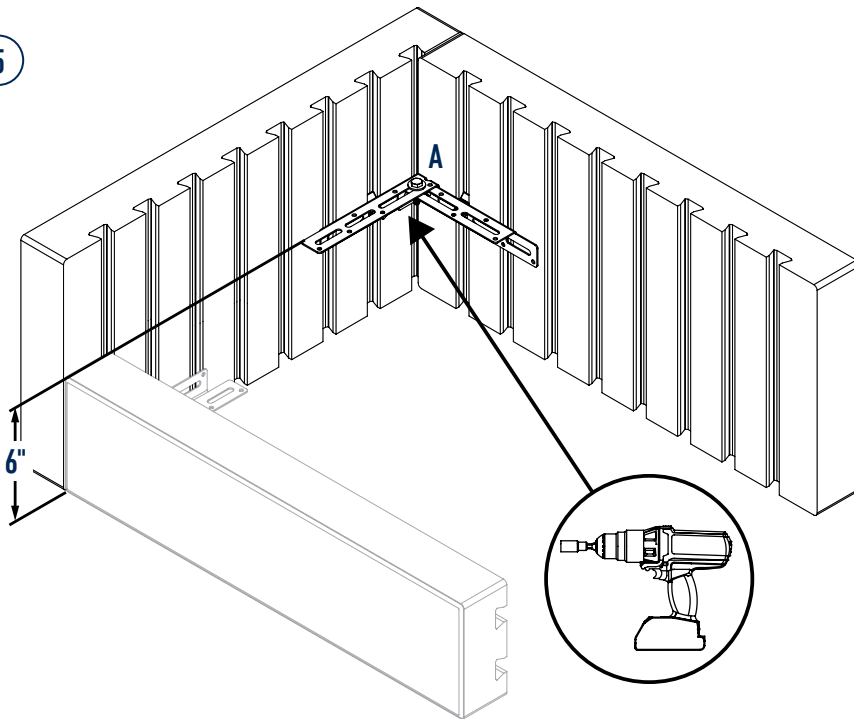


4

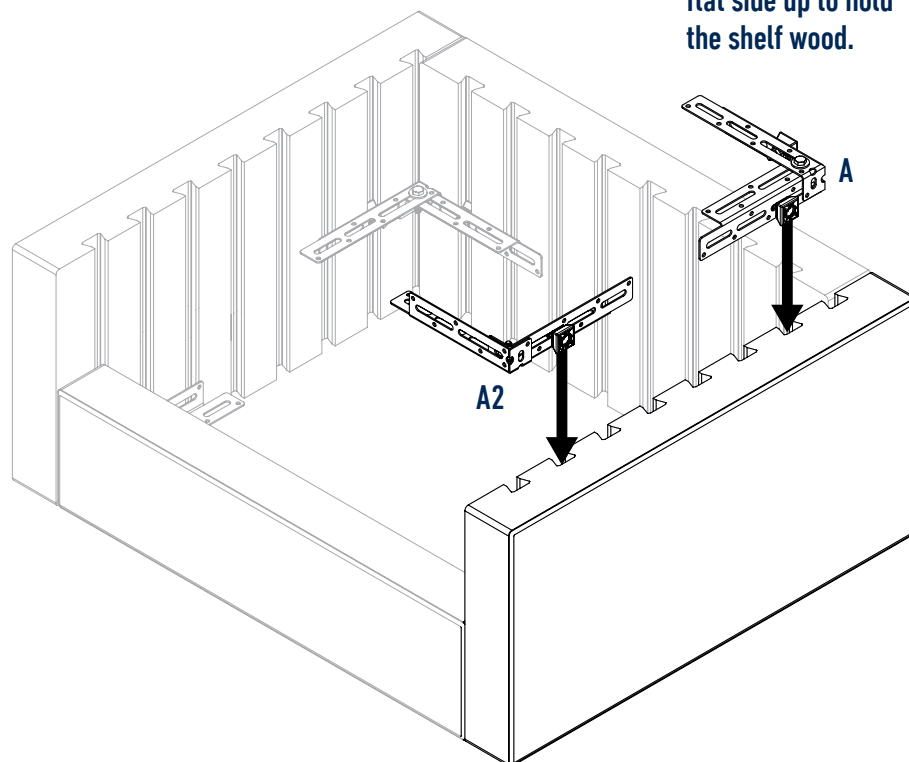




5

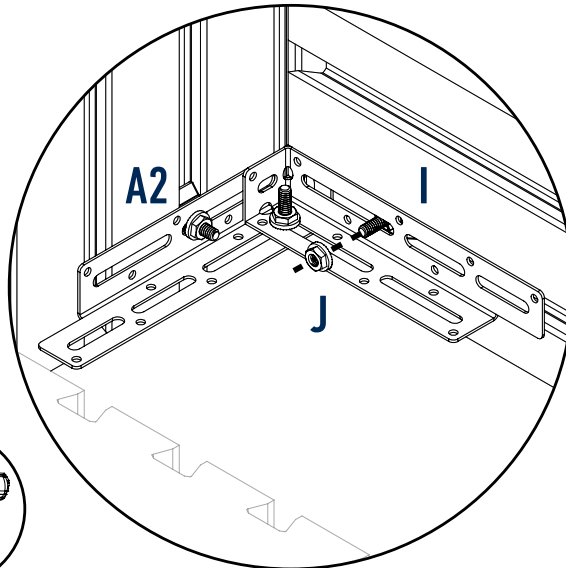
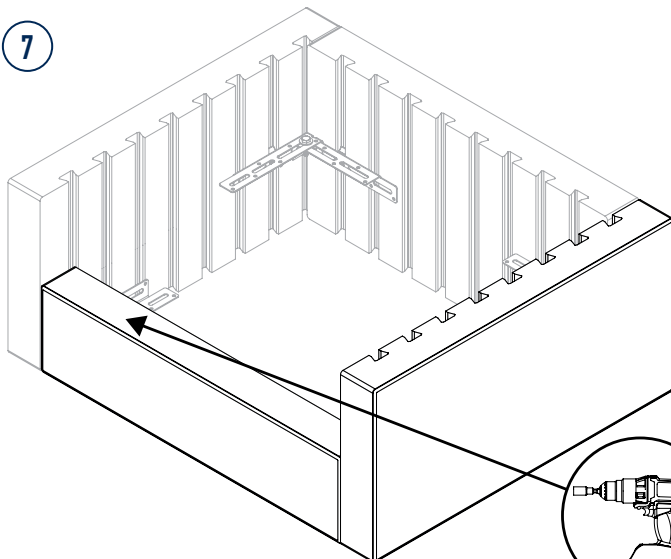


6

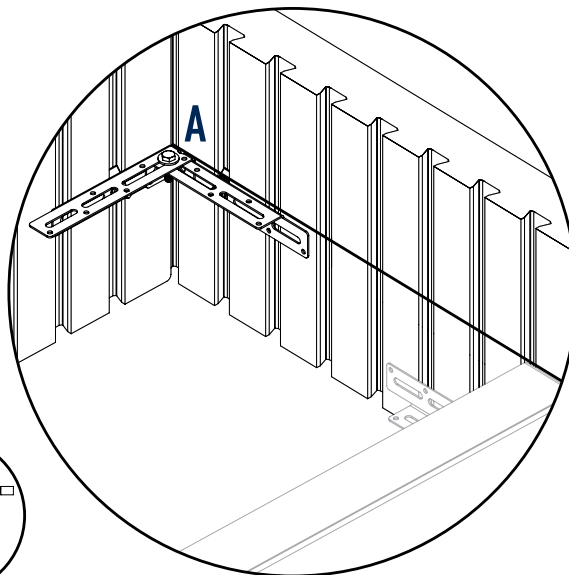
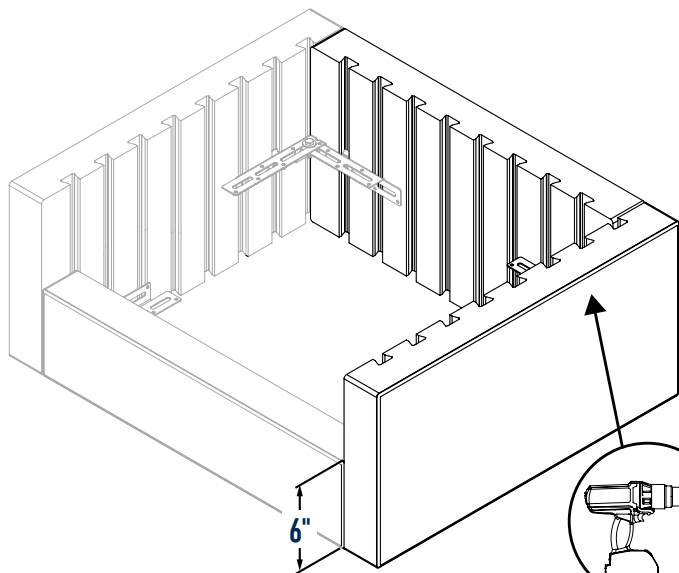


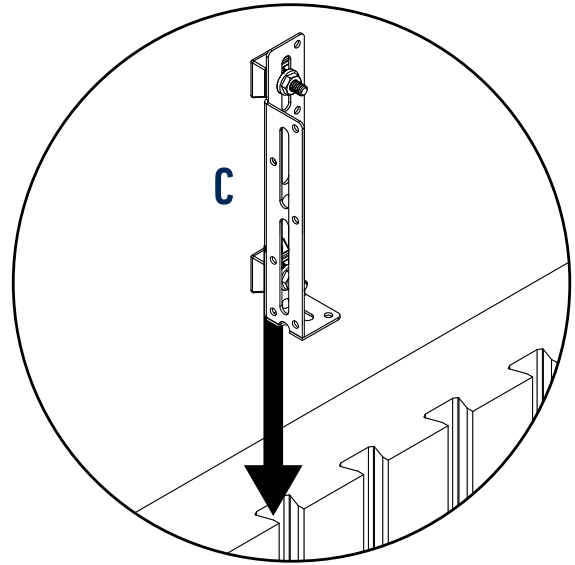
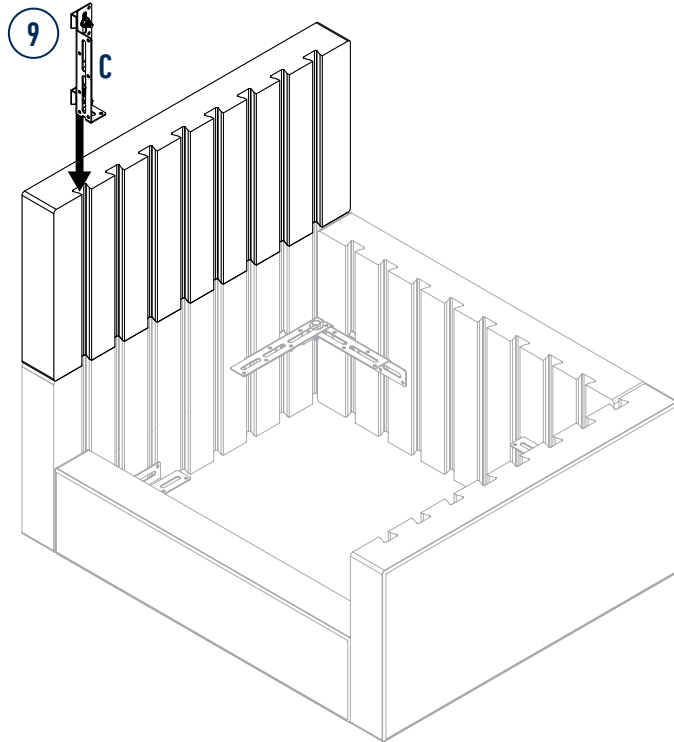
Install Bracket A
flat side up to hold
the shelf wood.

7



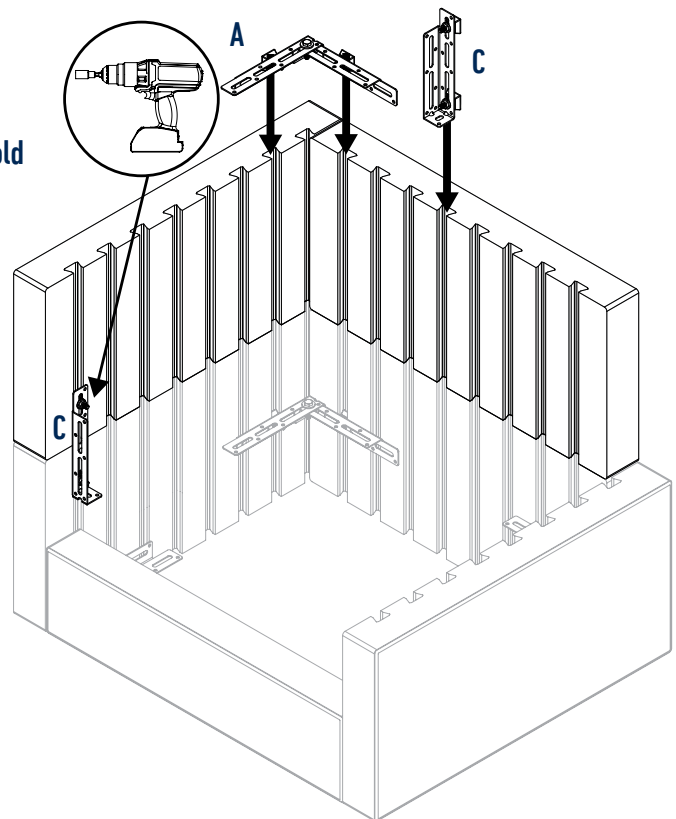
8



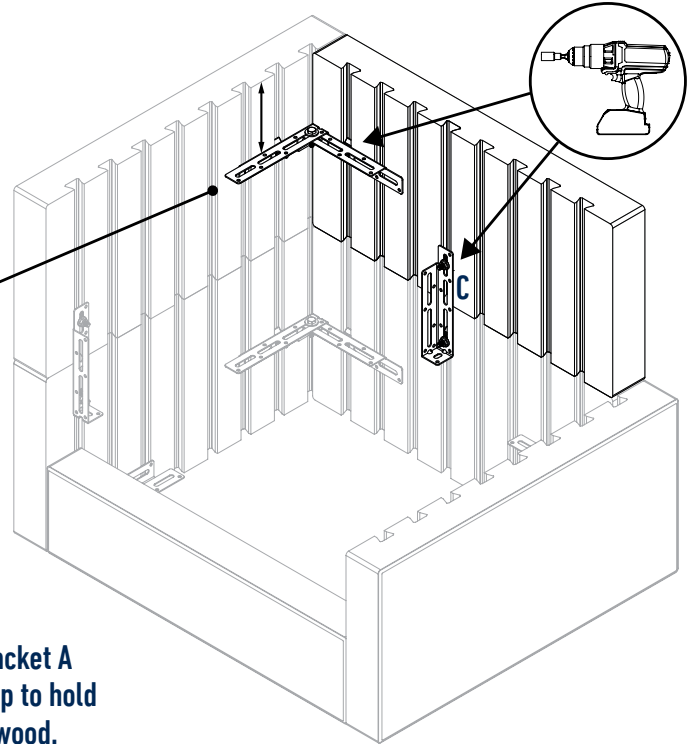
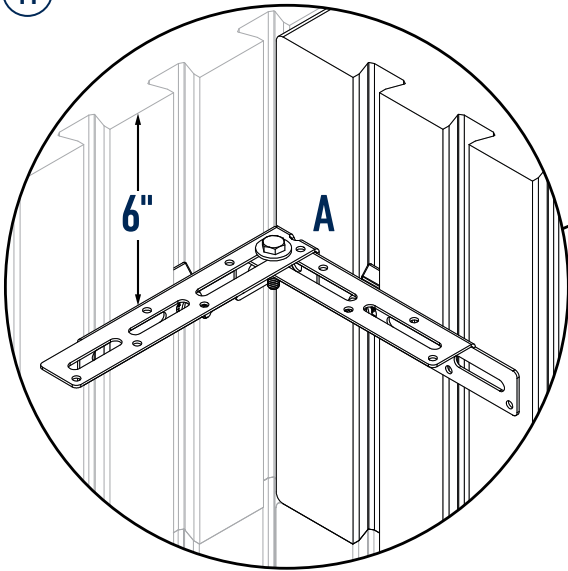


10

Install Bracket A
flat side up to hold
the shelf wood.

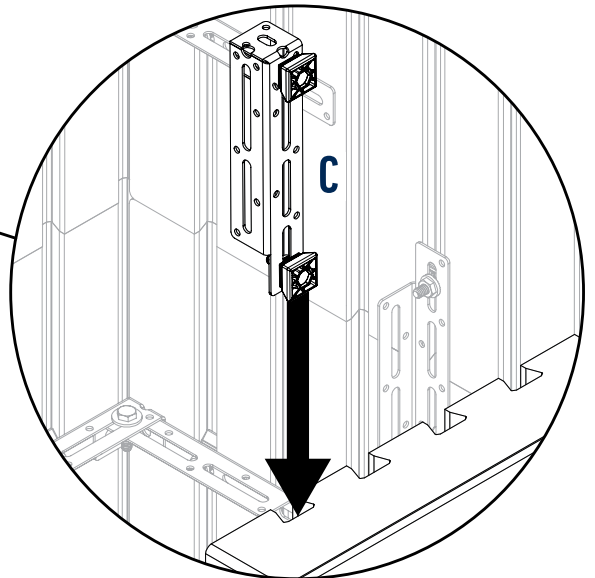
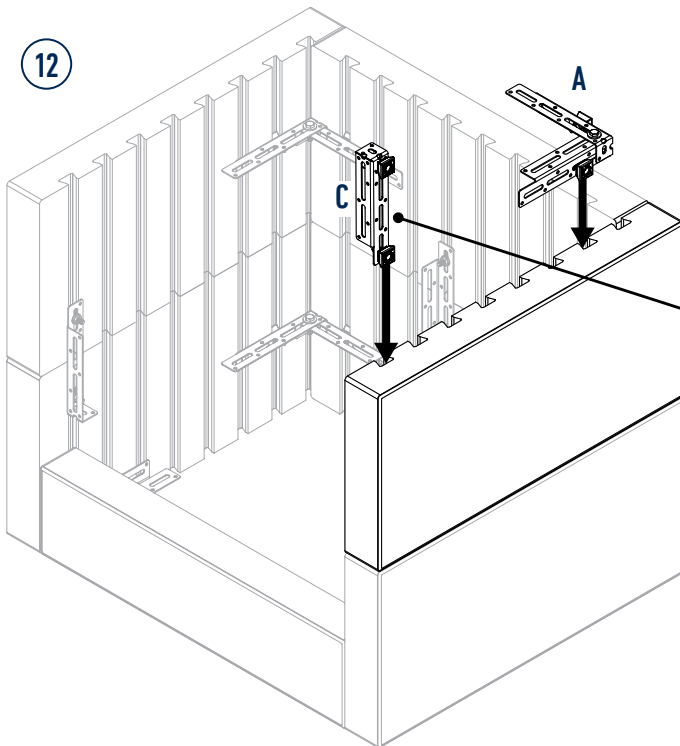


11

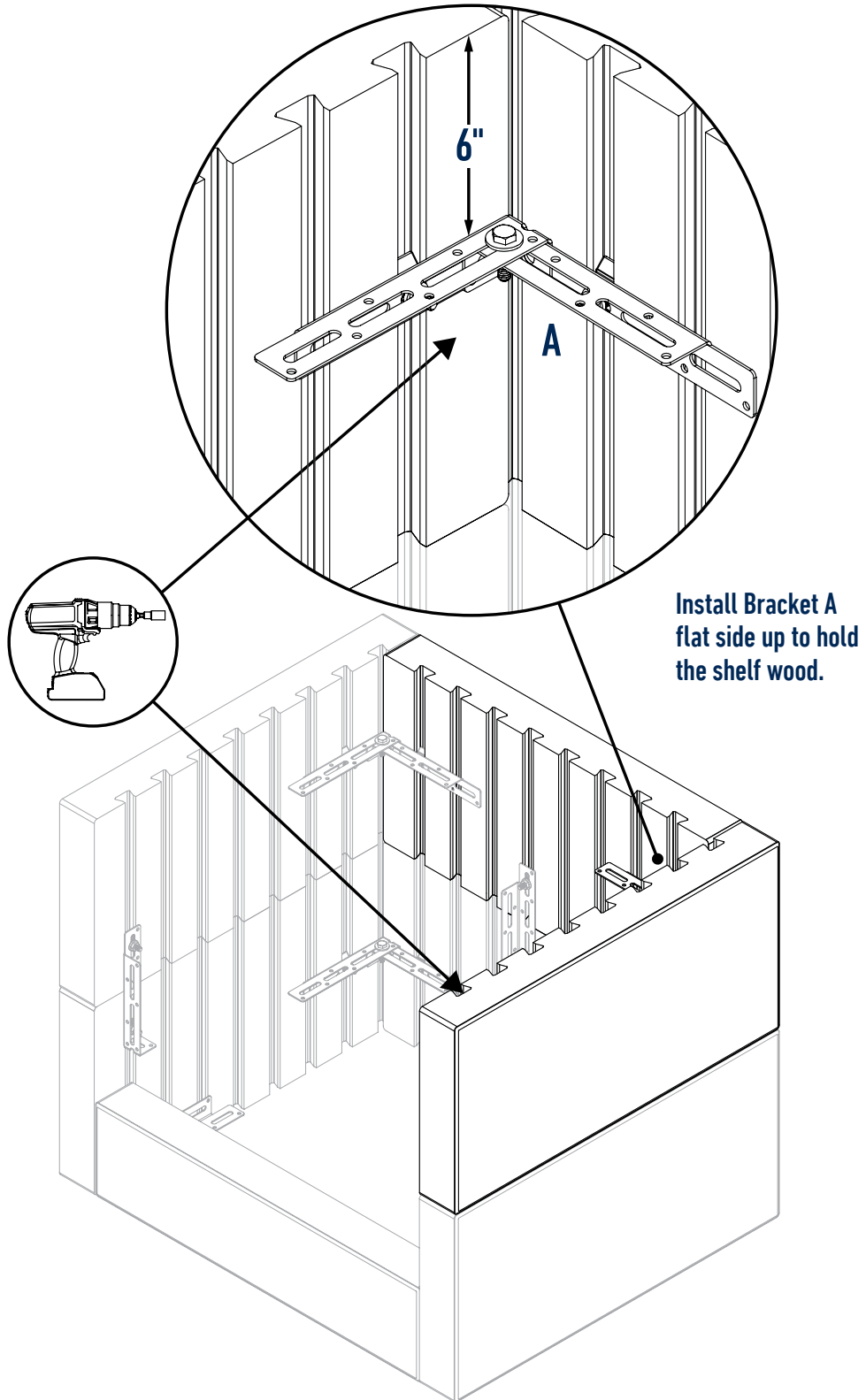


**Install Bracket A
flat side up to hold
the shelf wood.**

12

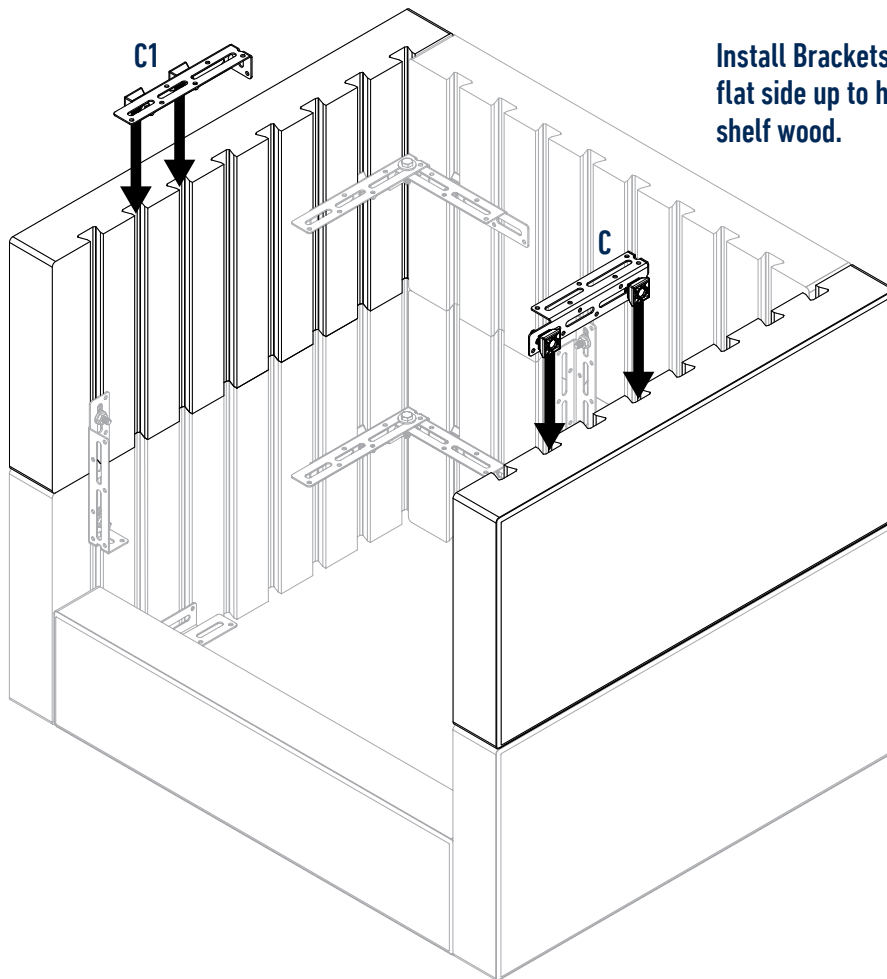


13



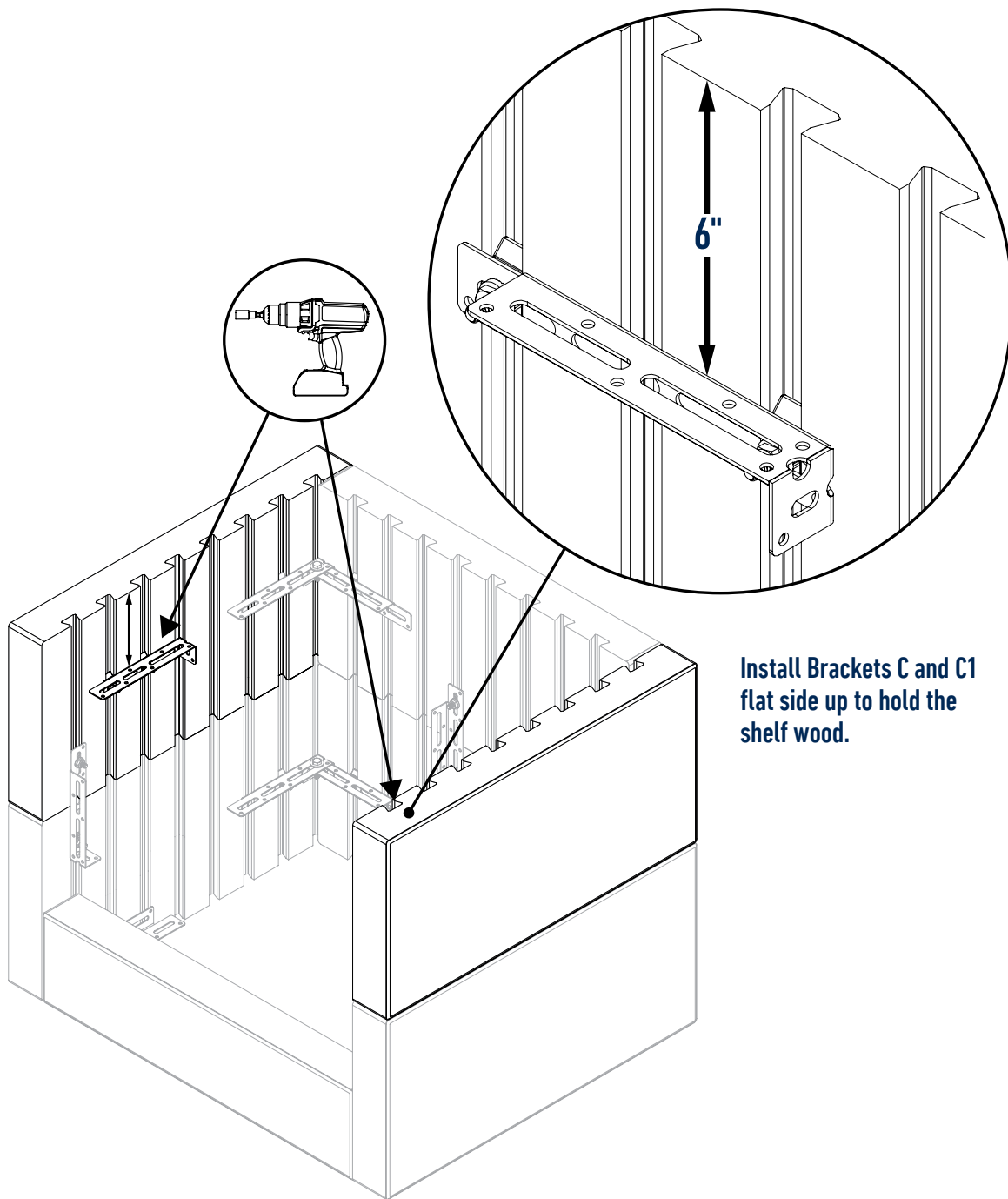


14



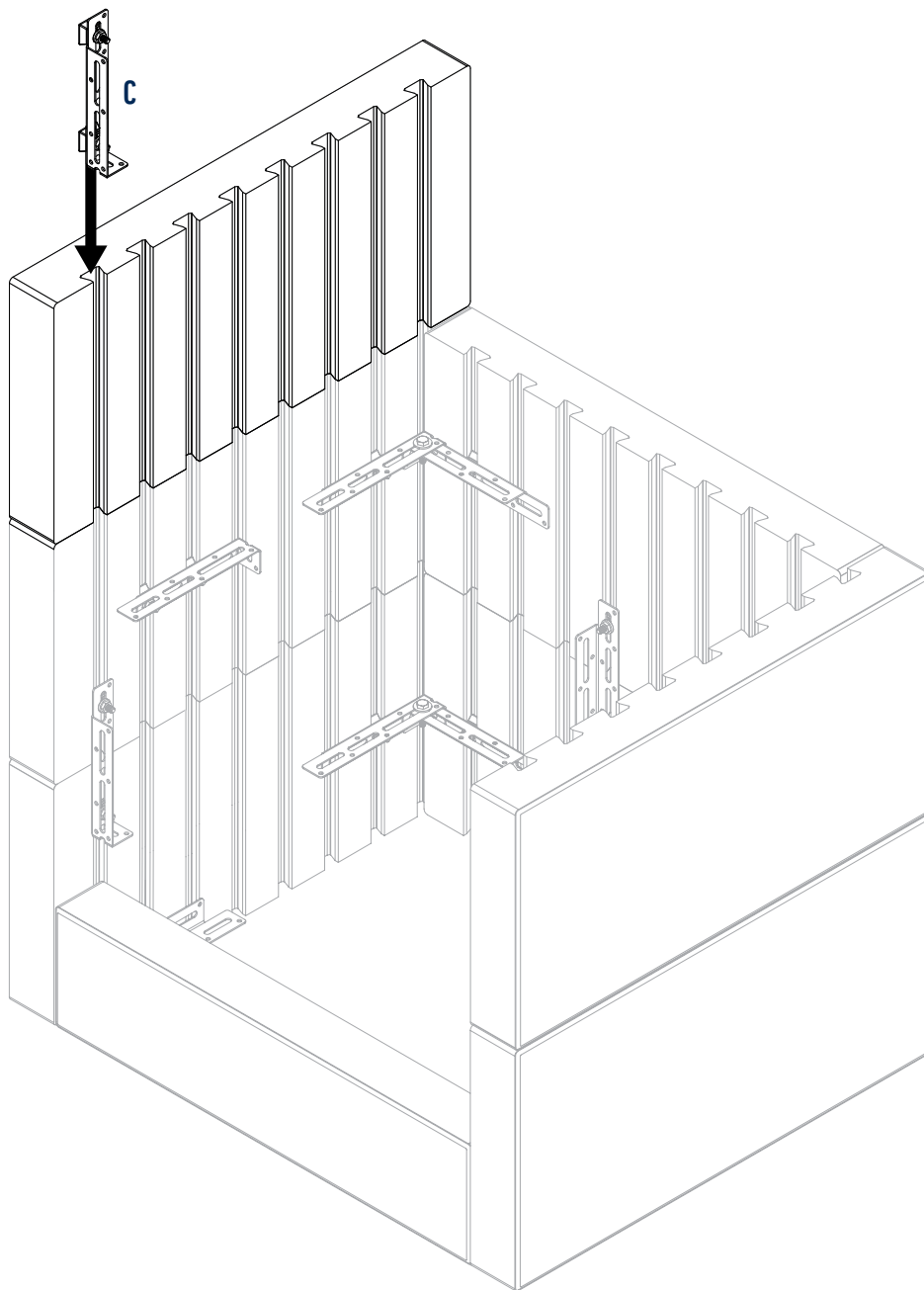
Install Brackets C and C1
flat side up to hold the
shelf wood.

15

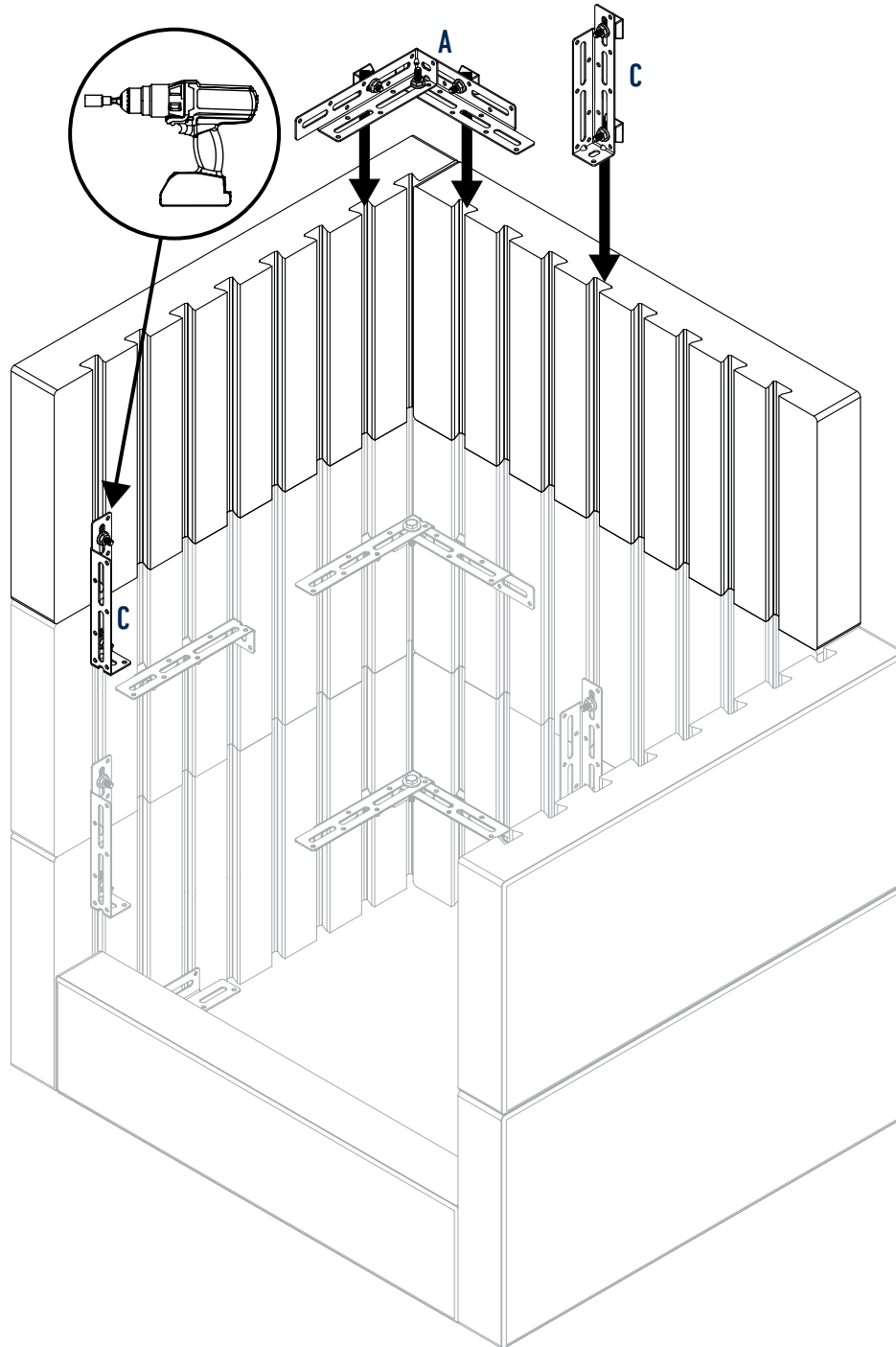


**Install Brackets C and C1
flat side up to hold the
shelf wood.**

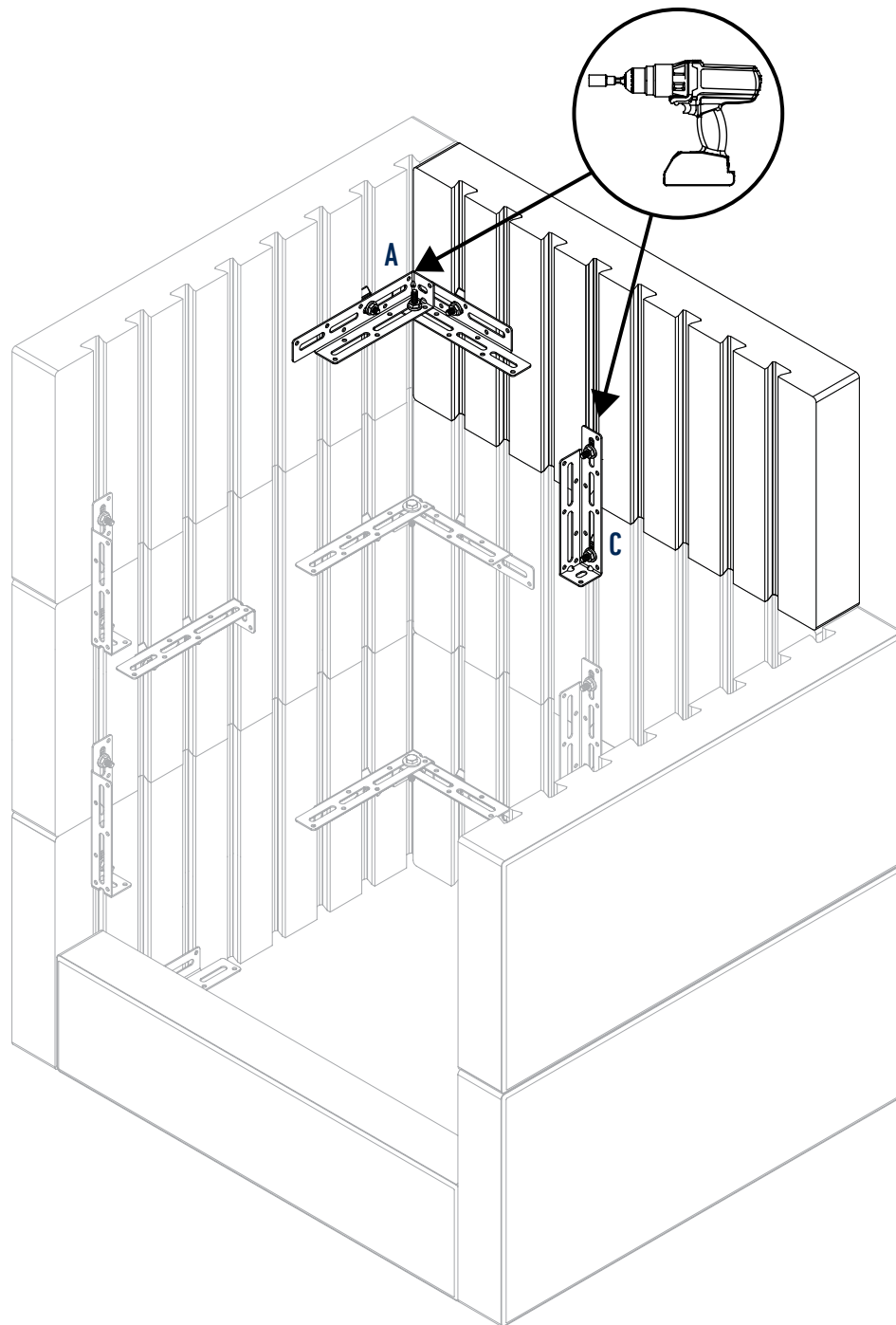
16



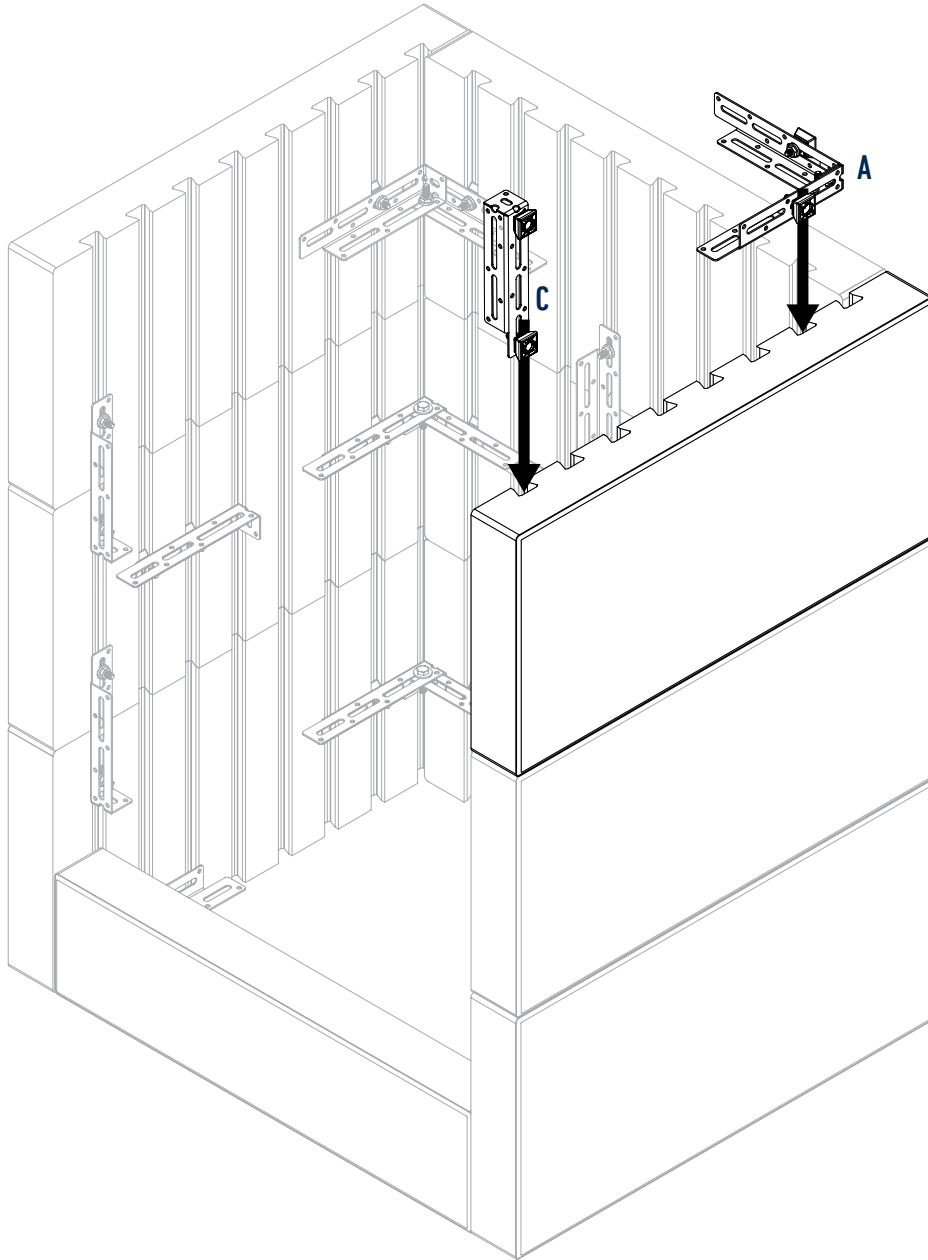
17



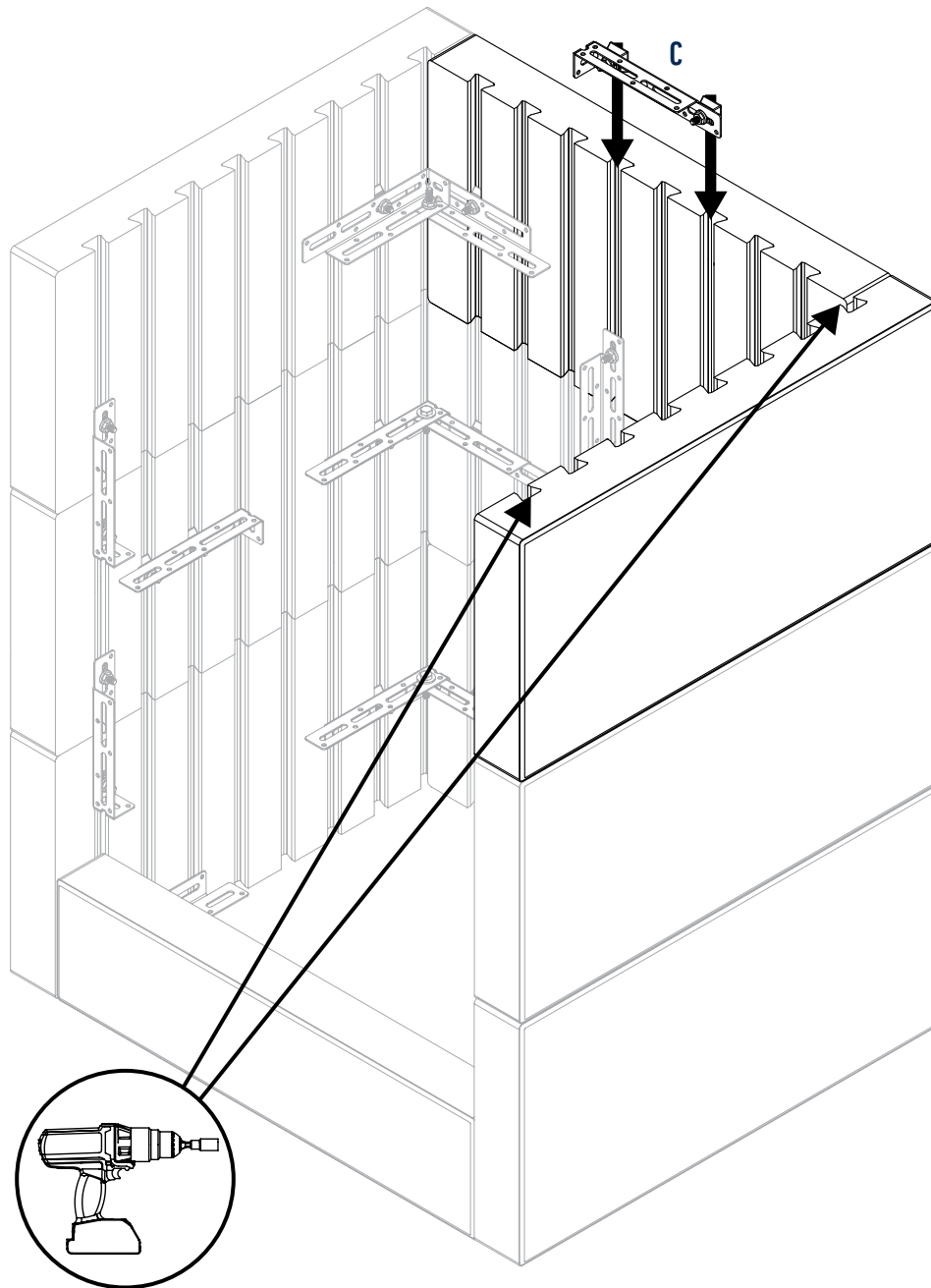
18



19

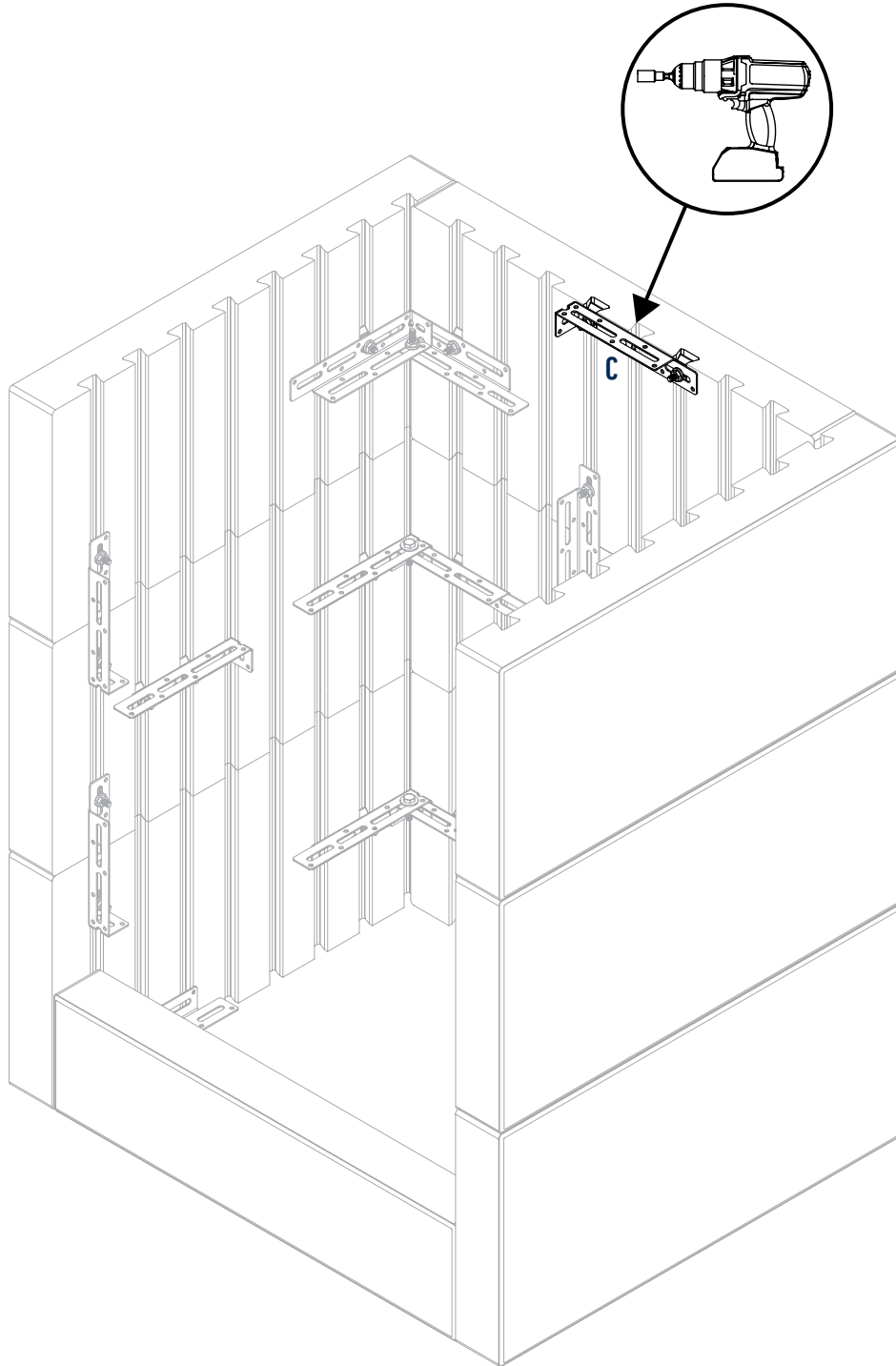


20

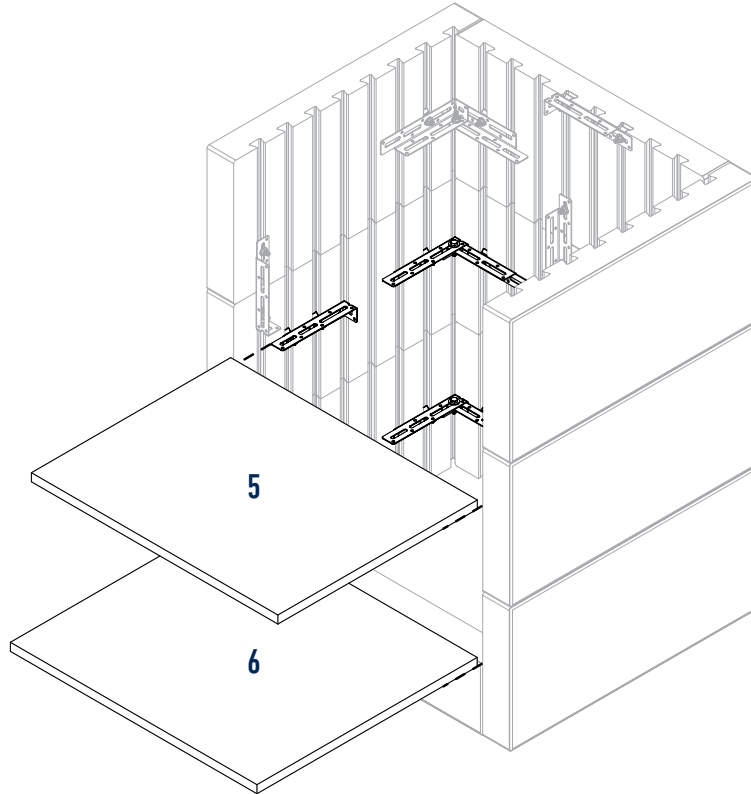




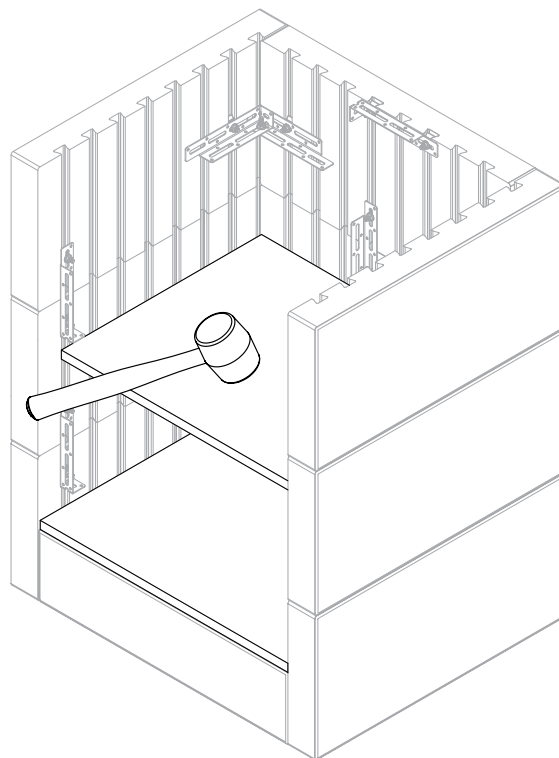
21



22

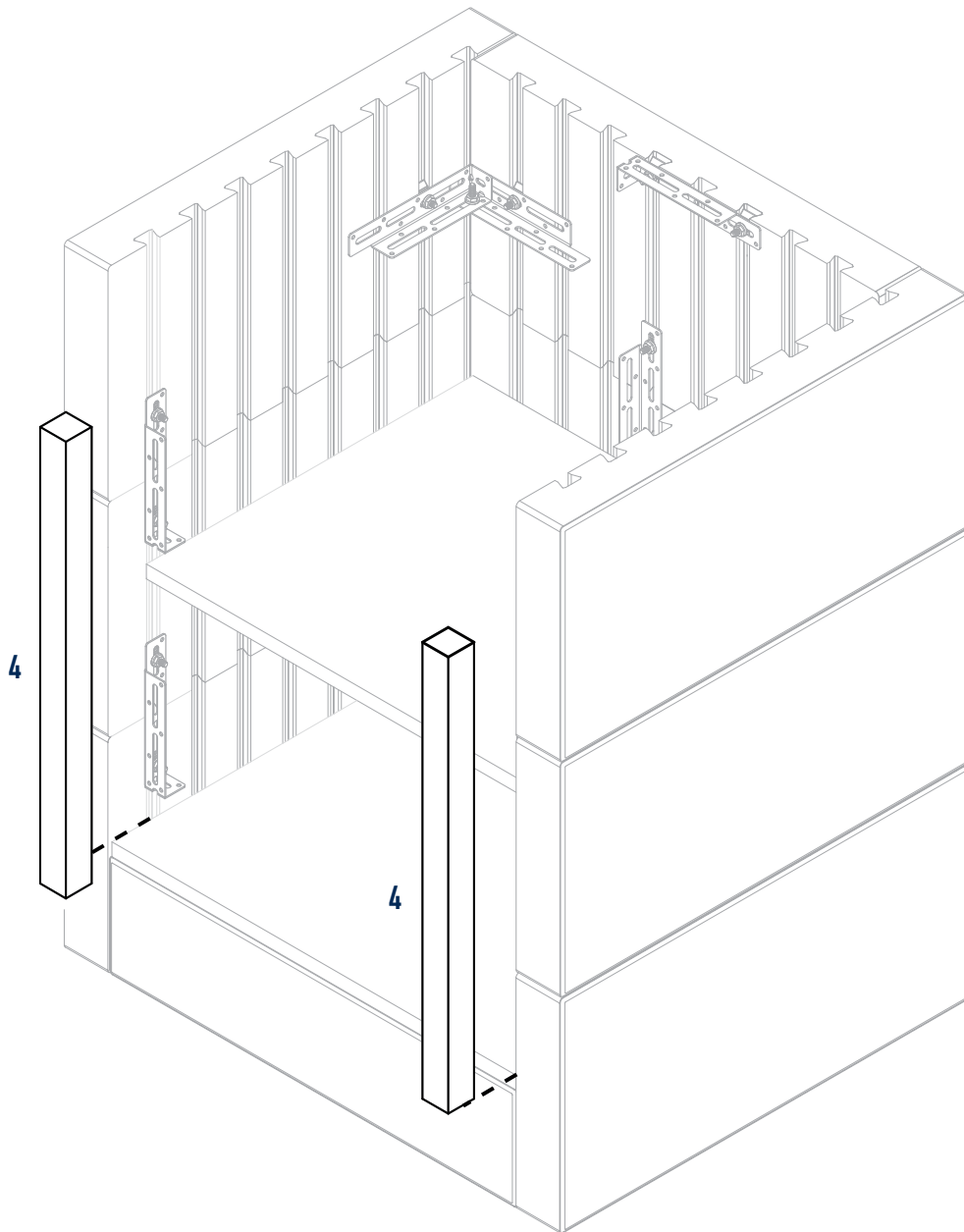


23

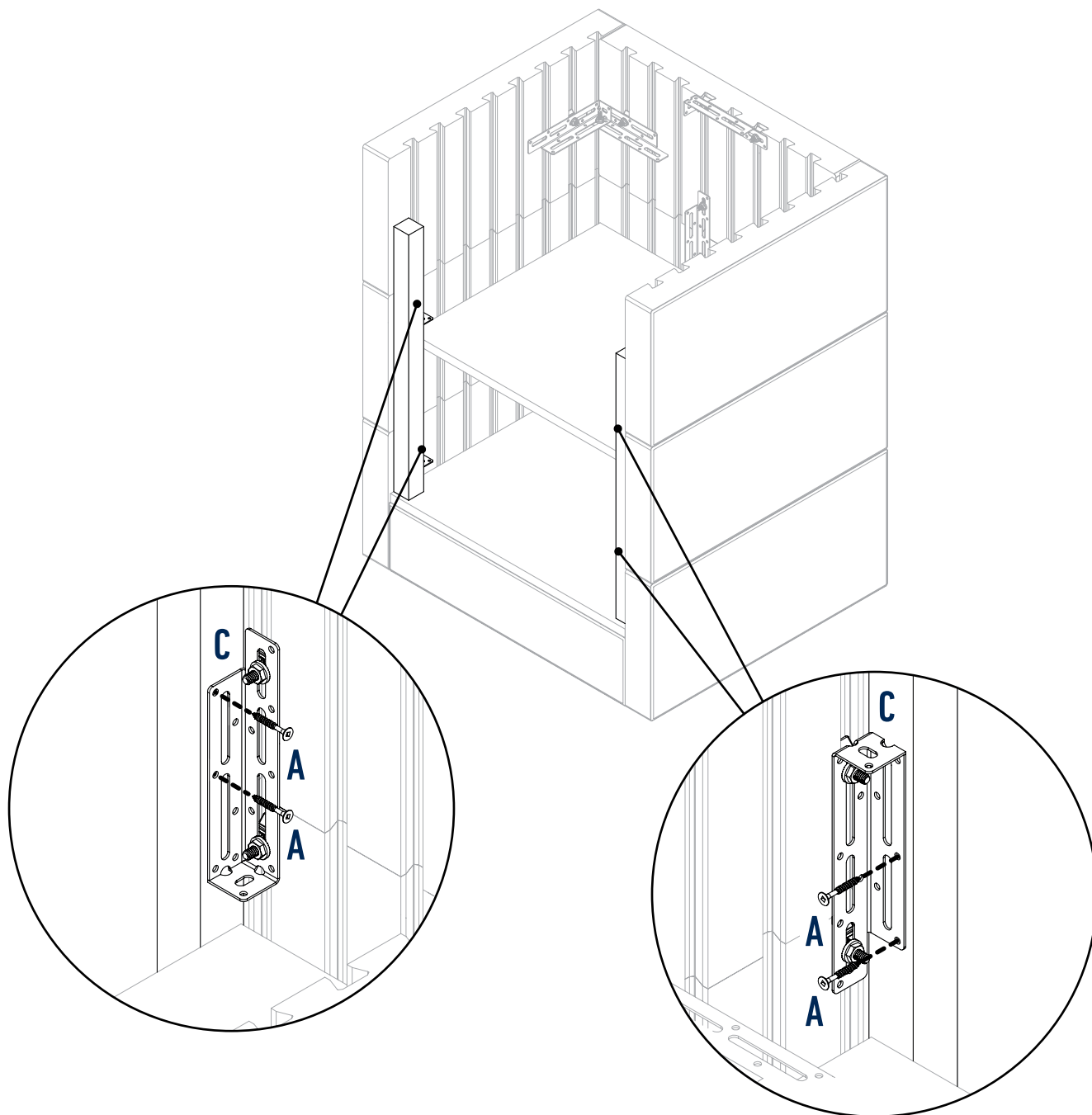




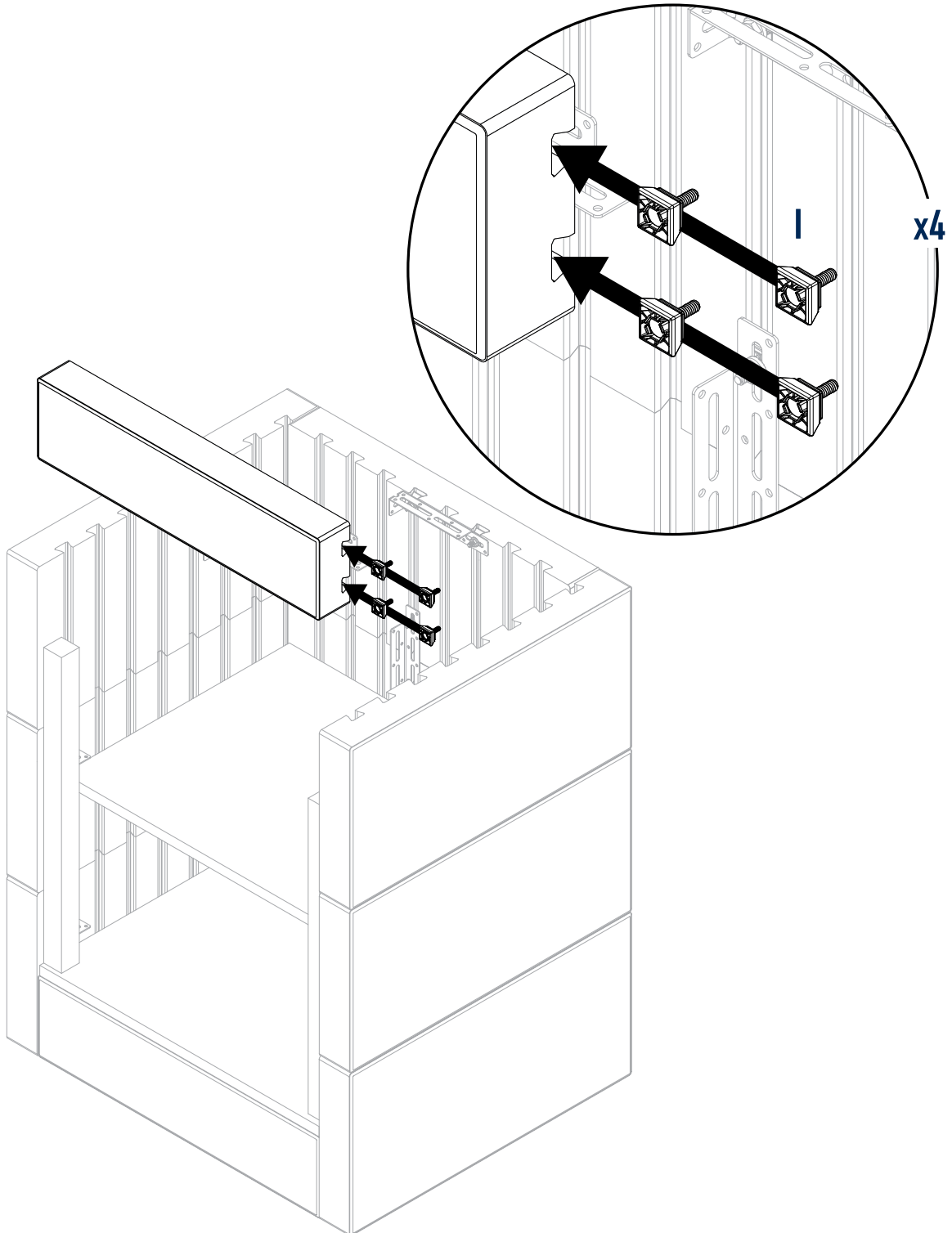
24



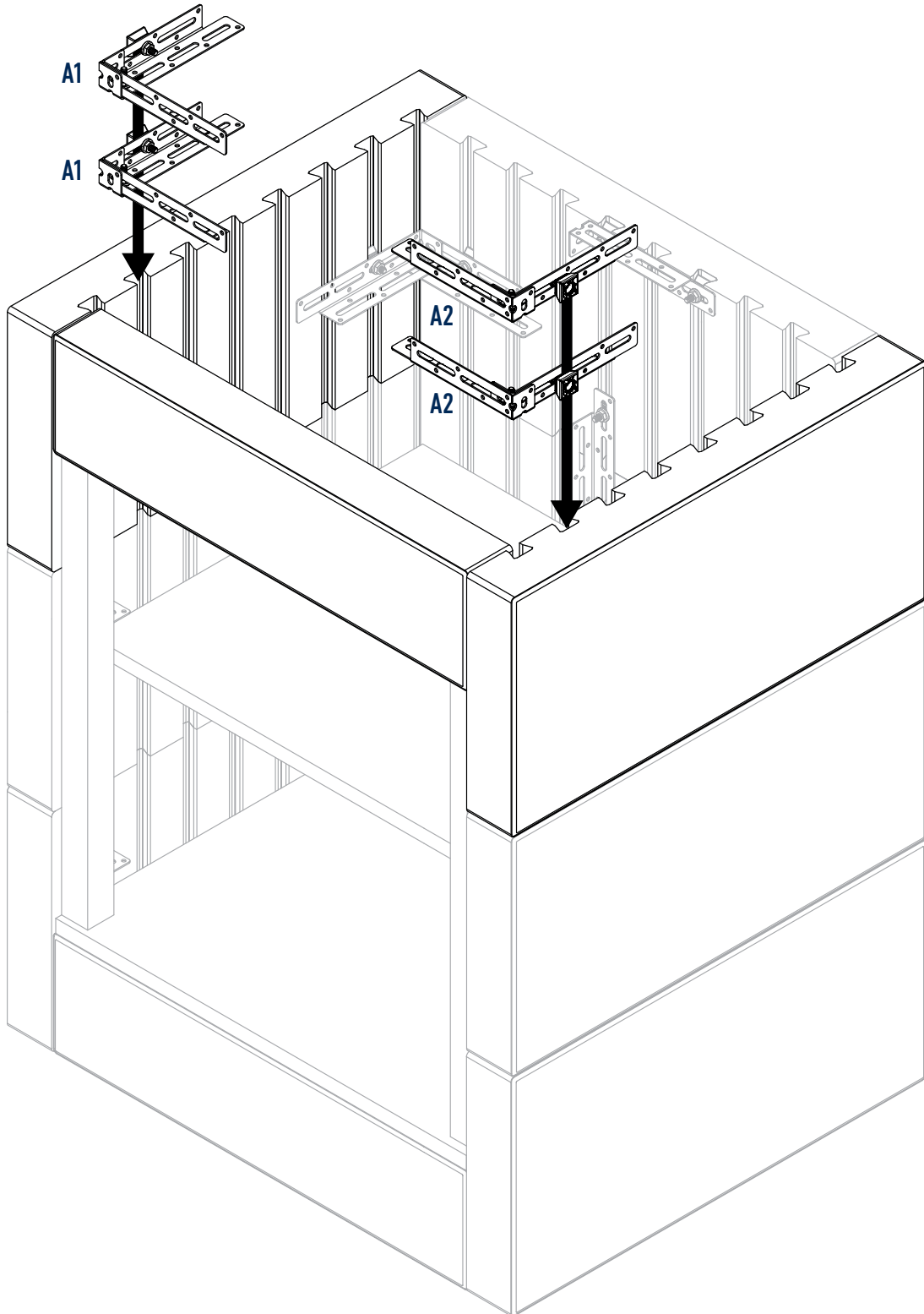
25



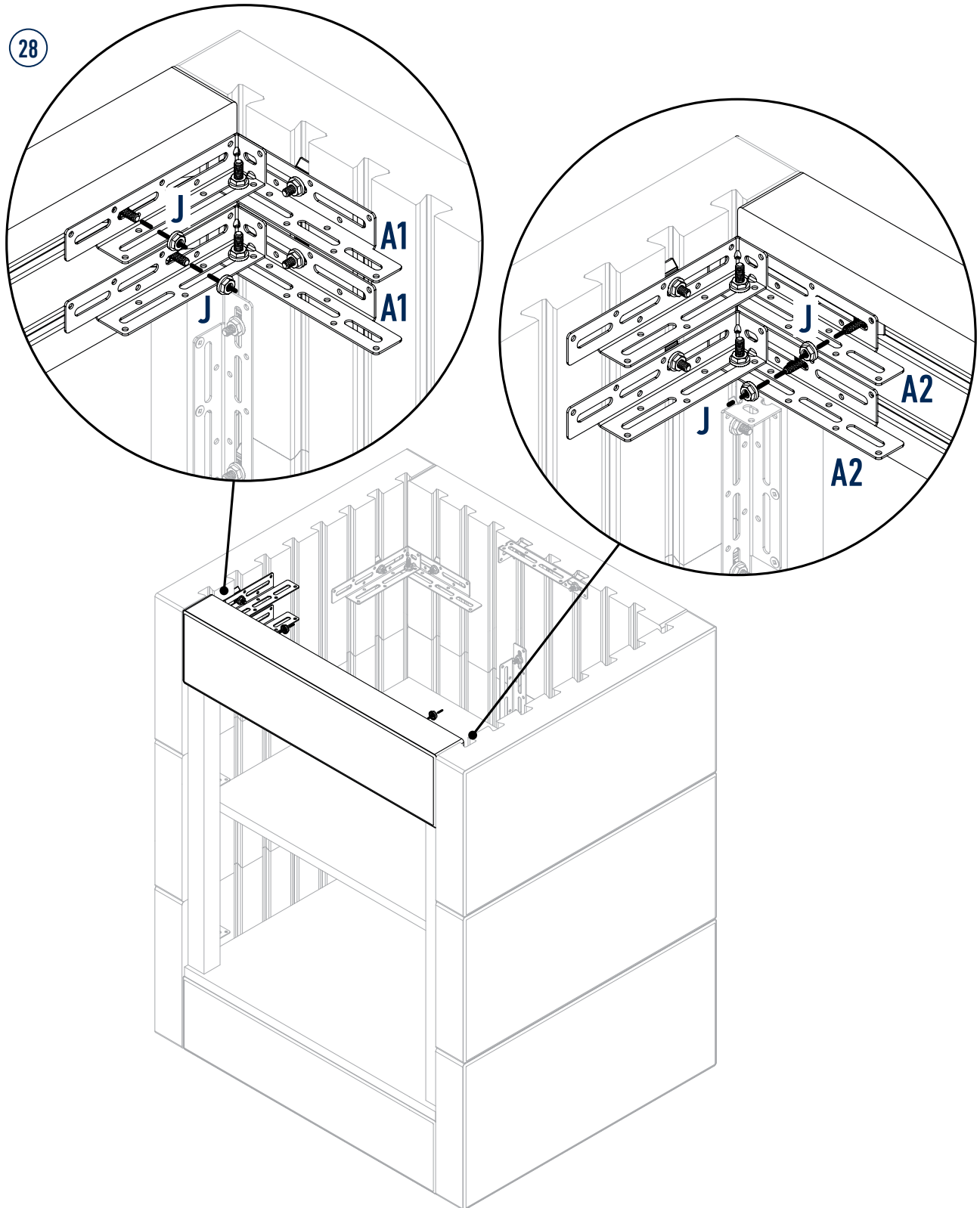
26



27

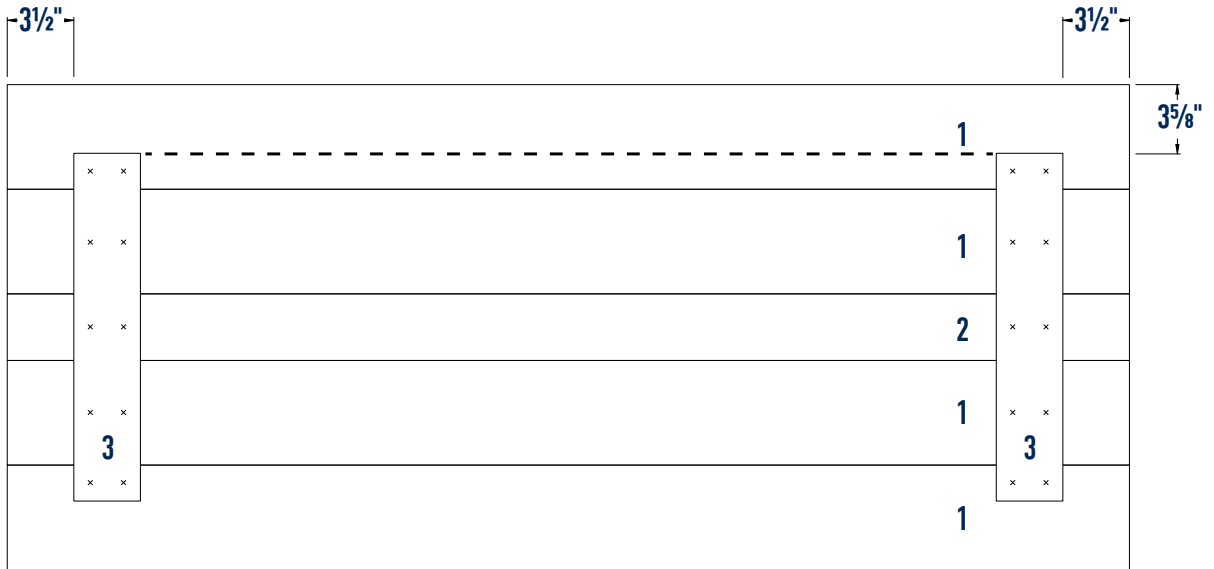


28



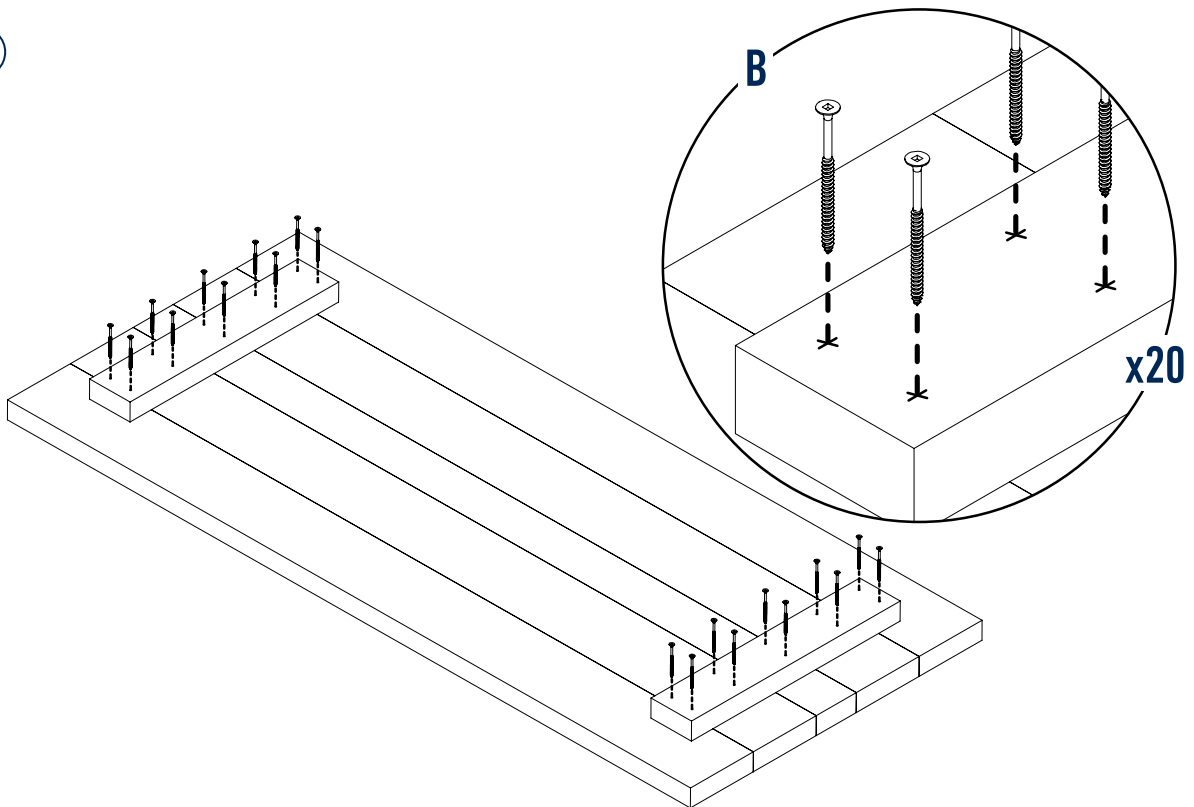


1

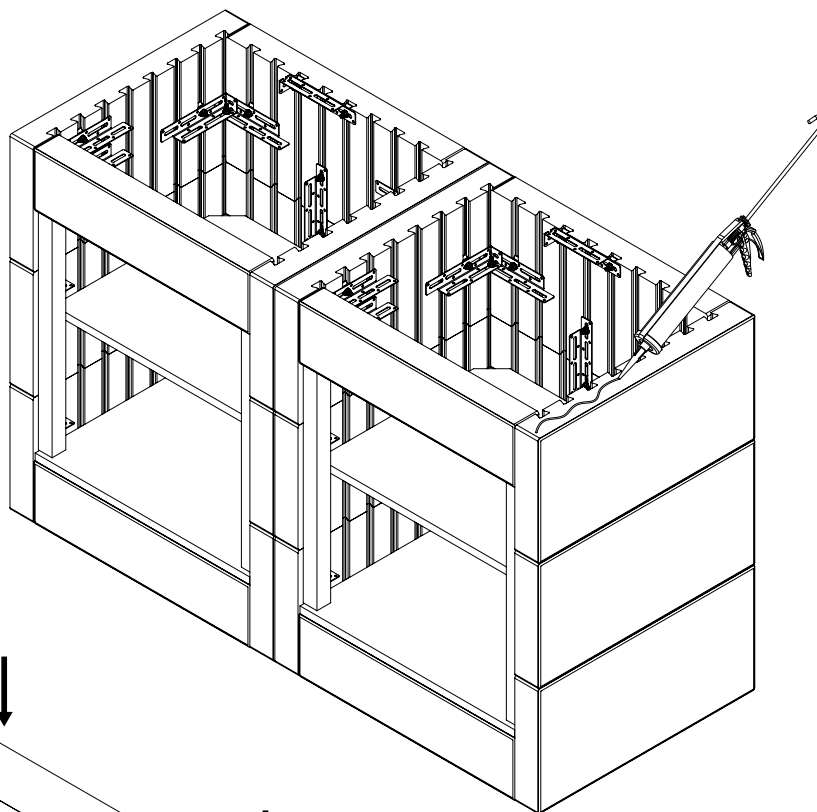


Center 2" x 4" between sides when constructing top

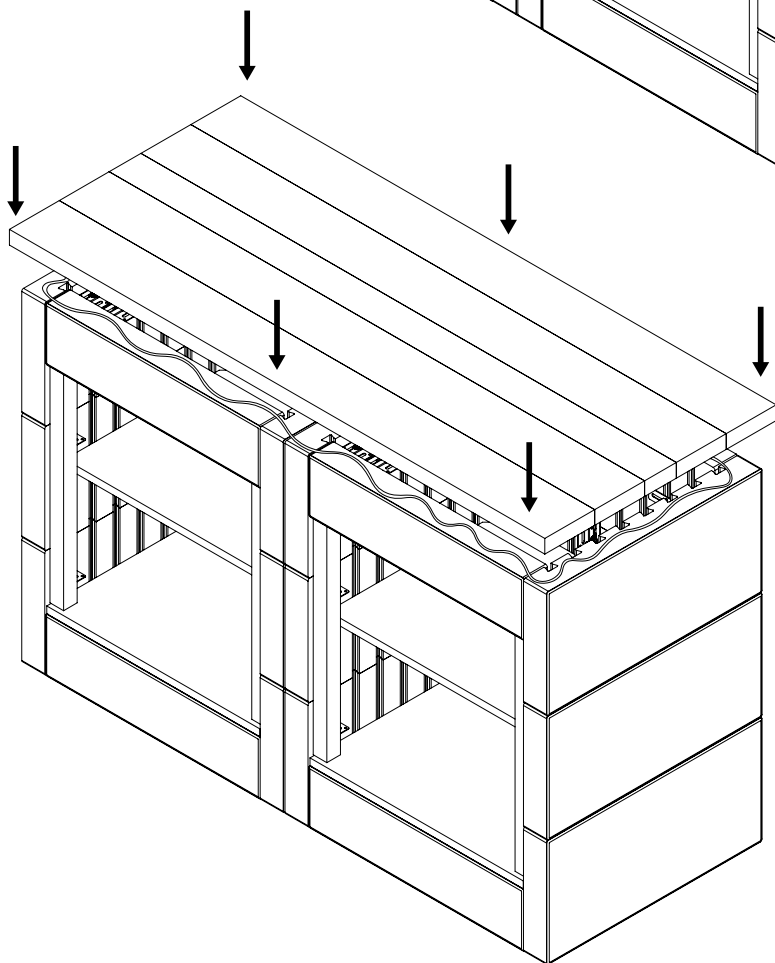
2



3



4





5

