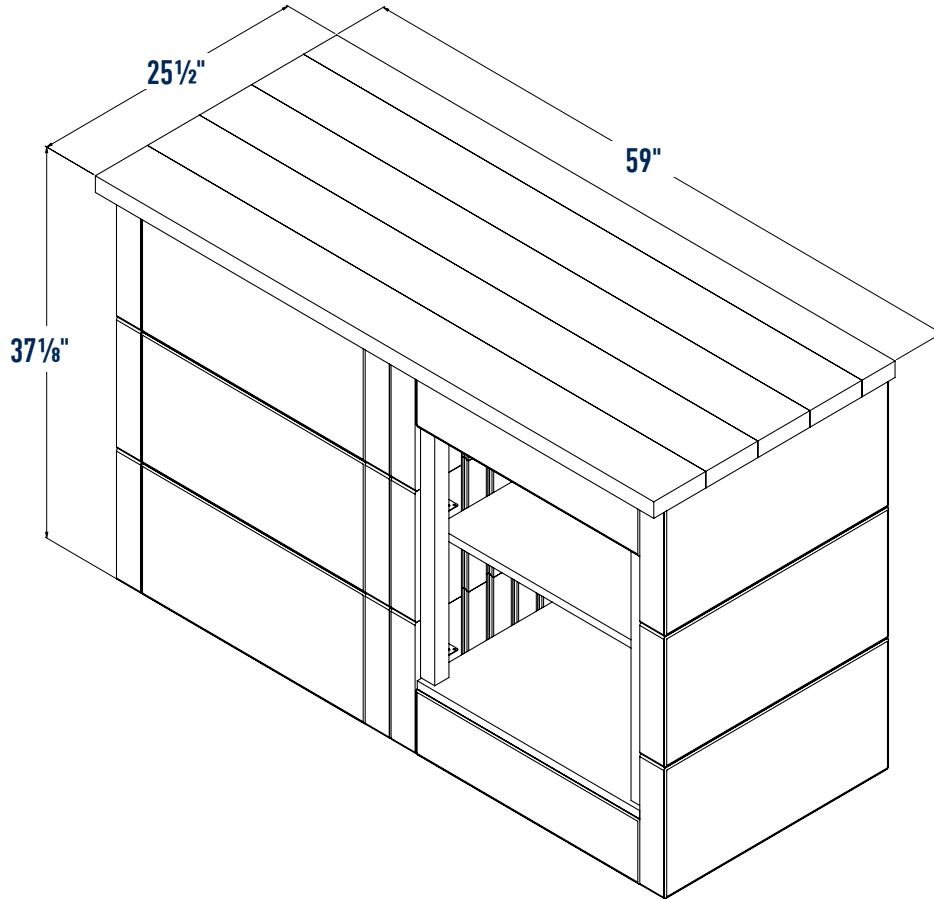




DESIGNFORMS™

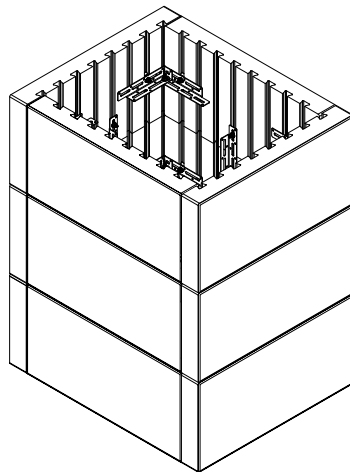


**COUNTER COMBO A
- 1 SHELVING UNIT & 1 SOLID UNIT**

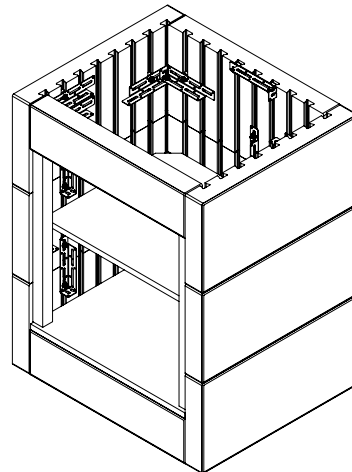


COMPONENTS

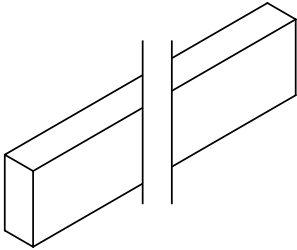
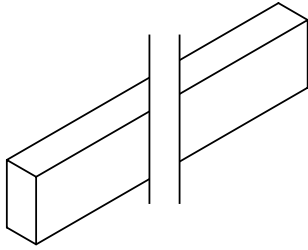
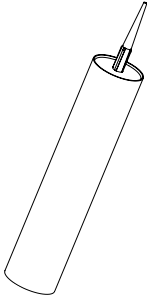

Build side by side.
Wood top construction
instructions follow in
this guide.



Single Counter (x1)



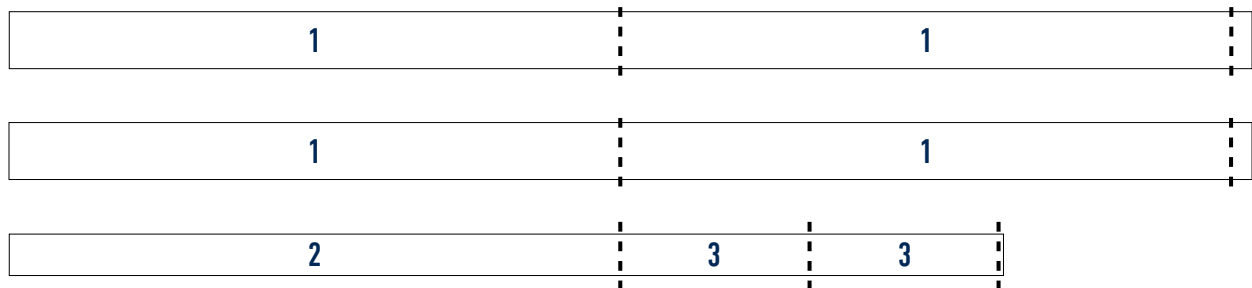
Single Shelf (x1)

<p>2" x 6" x 10' PRESSURE TREATED WOOD</p> <p>x2</p> 	<p>2" x 4" x 8' PRESSURE TREATED WOOD</p> <p>x1</p> 	<p>OUTDOOR SILICONE</p> <p>x1</p> 	<p>B #8 2½" DECK SCREW</p> <p>x20</p> 
---	--	--	--

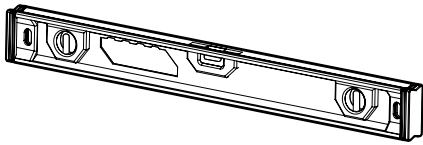
WOOD CUTS

Countertop only.

1 = 59"
2 = 59"
3 = 18¼"



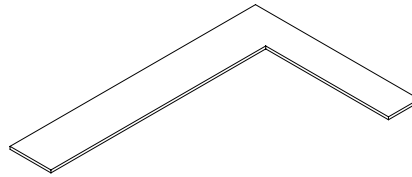
REQUIRED TOOLS



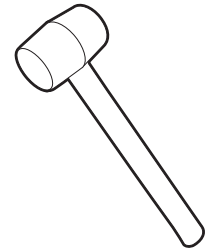
LEVEL



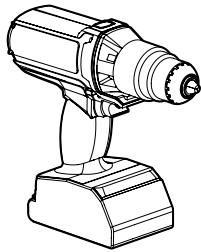
MEASURING TAPE



CARPENTER SQUARE



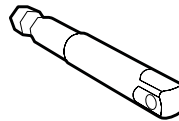
RUBBER MALLET



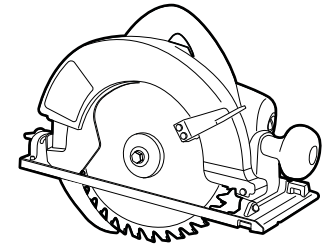
DRILL



**DEEP HEX SOCKET
7/16" WITH 1/4" DRIVE**



**SOCKET ADAPTOR
1/4" HEX SHANK TO 1/4" DRIVE**

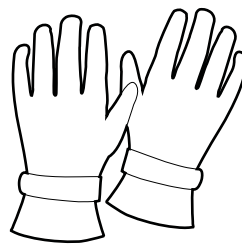


SKILL SAW

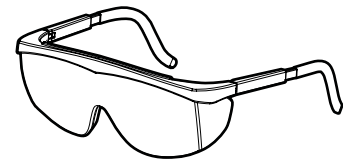
SAFETY EQUIPMENT



SAFETY BOOTS



GLOVES

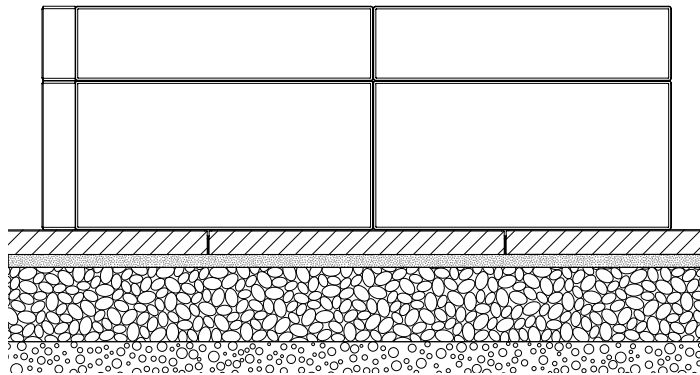


SAFETY GLASSES

BASE PREPARATION

ALWAYS LEVEL GROUND BEFORE INSTALLATION

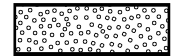
ON NEW OR EXISTING PATIO



SLAB OR PAVER



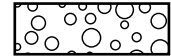
BEDDING SAND 1"



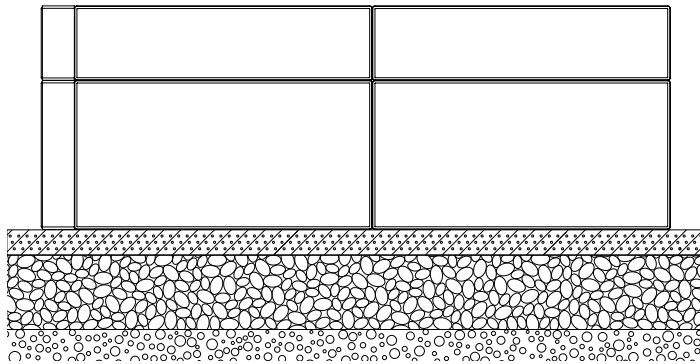
COMPACTED AGGREGATES 6" - 8"



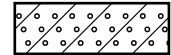
SOIL



ON POURED CONCRETE



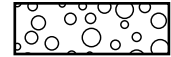
REINFORCED POURED CONCRETE FOUNDATION 2"



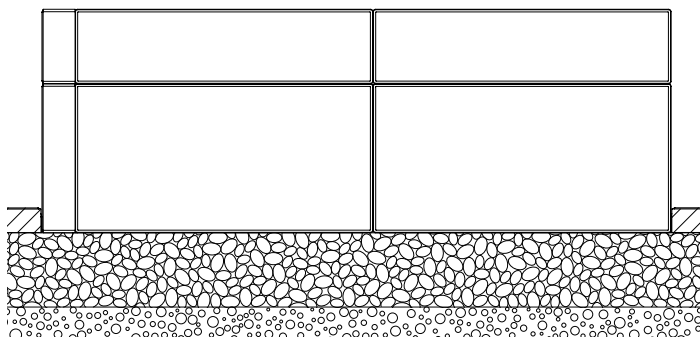
COMPACTED AGGREGATES 6" - 8"



SOIL



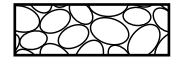
ON COMPACTED FOUNDATION



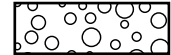
SLAB OR PAVER



COMPACTED AGGREGATES 6" - 8"



SOIL



TIPS & TRICKS

READ ALL INSTRUCTIONS BEFORE ASSEMBLY

PREBUILD:

- Prebuild all hardware prior to starting build.
- When assembling hardware SNAP the bolt into place with the plastic sliders. Pressing down on something flat and hard will help. (Fig. A)
- Do not over hand tighten the slider/bolt piece and the nut on the completed brackets. They should be loosely attached so they slide into the channels on the panels. Leave a space of ¼ in. (Fig. B)

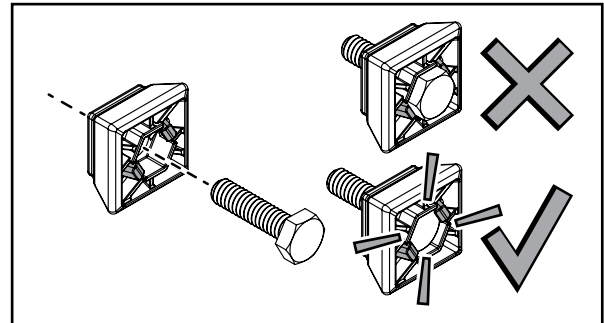


Fig. A

INSTALL:

- Always start in the corner when starting a build. (Fig. C)
- Set the drill clutch (torque) at a low level to deliver a torque range of 50-65lbs per inch. Refer to your drill manual for torque adjustment instructions.
- Use a rubber mallet to assist with moving/aligning/adjusting panel placement during assembly.

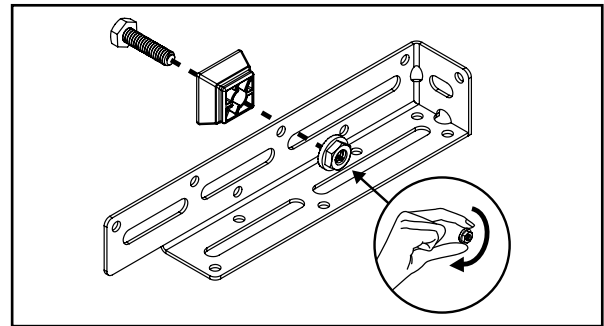


Fig. B

WHEN BUILDING WOODEN COMPONENTS:

- Do not exceed prescribed length. Exact measurements are required for proper assembly.
- Ensure your cuts are straight.
- Do not over tighten the screws into the wood - this can cause buckling.
- Pre-drill holes for 45° corner assemblies.
- Use cedar or pressure treated wood for outdoor use.
- Seal wooden components for prolonged use.

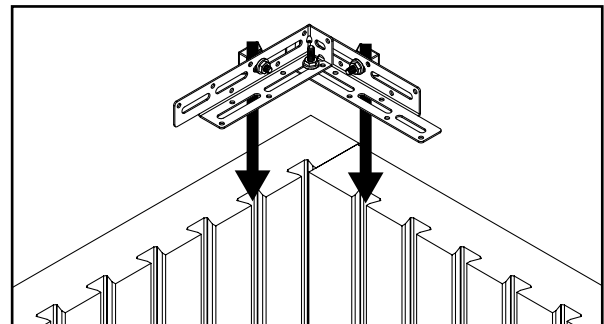
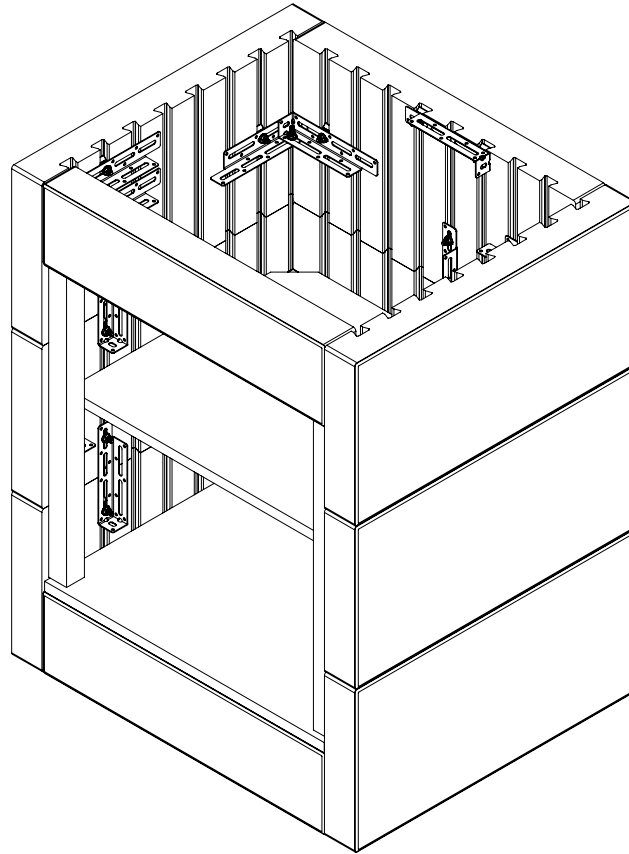


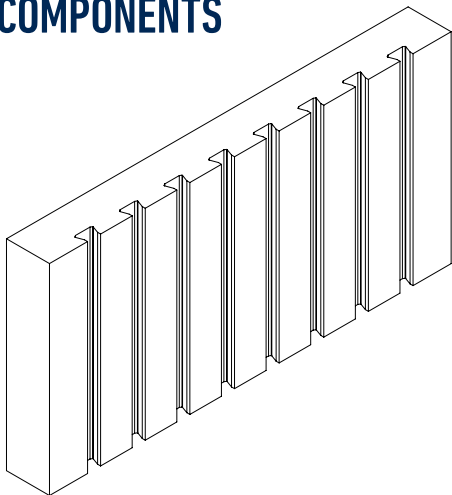
Fig. C

WHEN BUILDING PLANTERS:

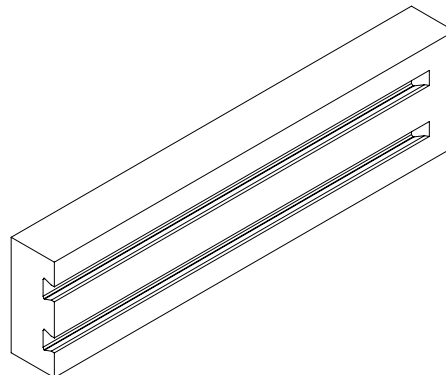
- Line the inside of the planters or garden beds with a geotextile fabric to help with water management.



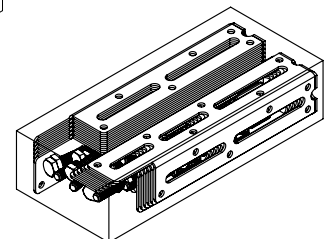
COMPONENTS



Large Panel (x9)
12" x 24"

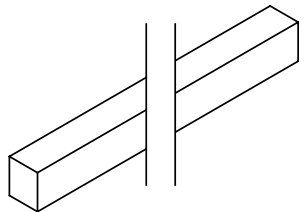
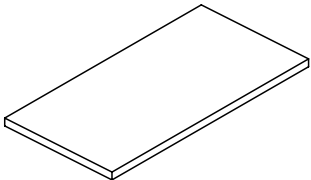
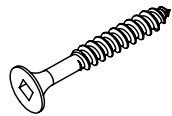


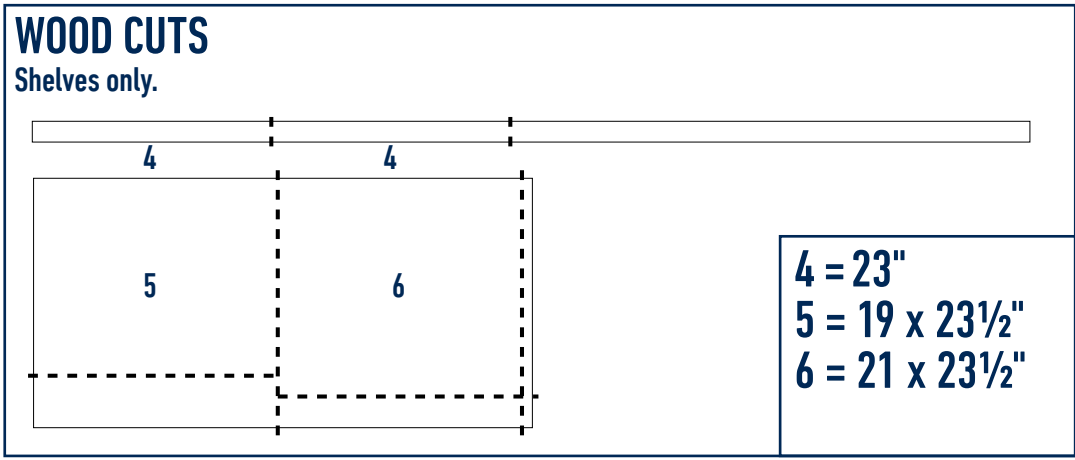
Small Panel (x2)
6" x 24"



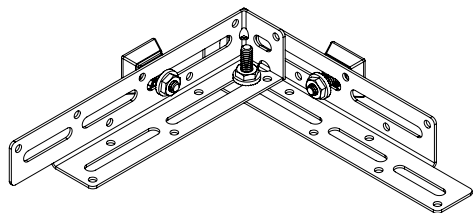
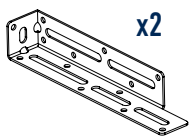




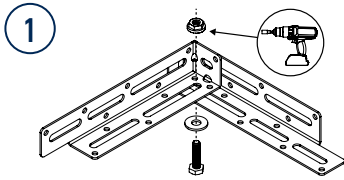

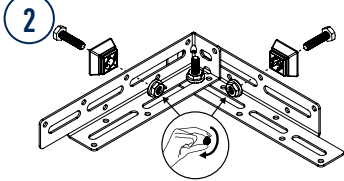
Hardware Kit (x3)



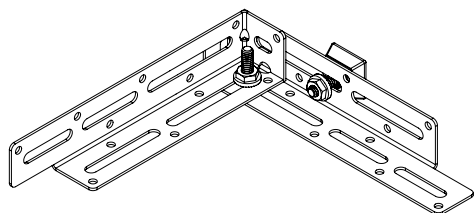
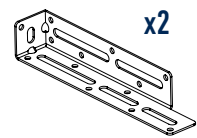




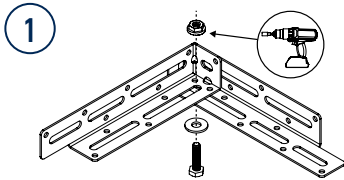

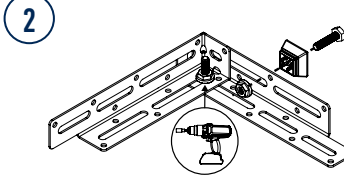
2" x 2" x 8' PRESSURE TREATED WOOD 	x1	2' x 4' x 3/4" PLYWOOD 	x1	A #8 1 1/4" DECK SCREW 	x10
--	-----------	--	-----------	---	------------



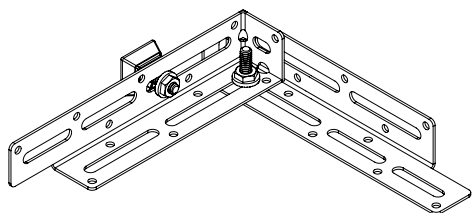
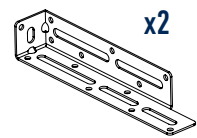




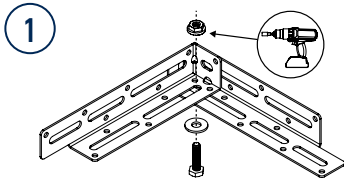

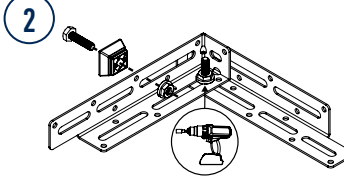
BRACKET A **x6**

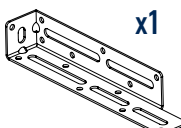



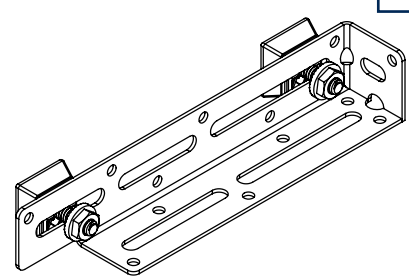
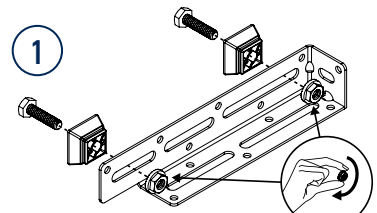
	x2	x3	x1	x3	x2
					
1			2		
					

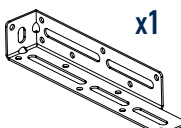



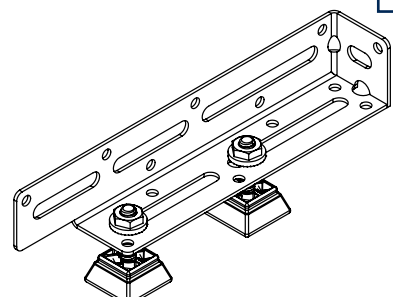
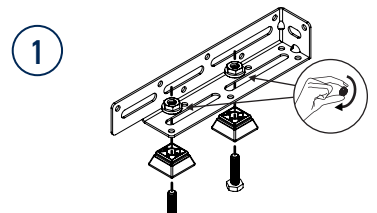
BRACKET A1 **x3**



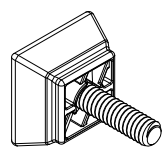
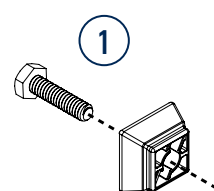

	x2	x2	x1	x2	x1
					
1			2		
					

BRACKET A2 **x3**

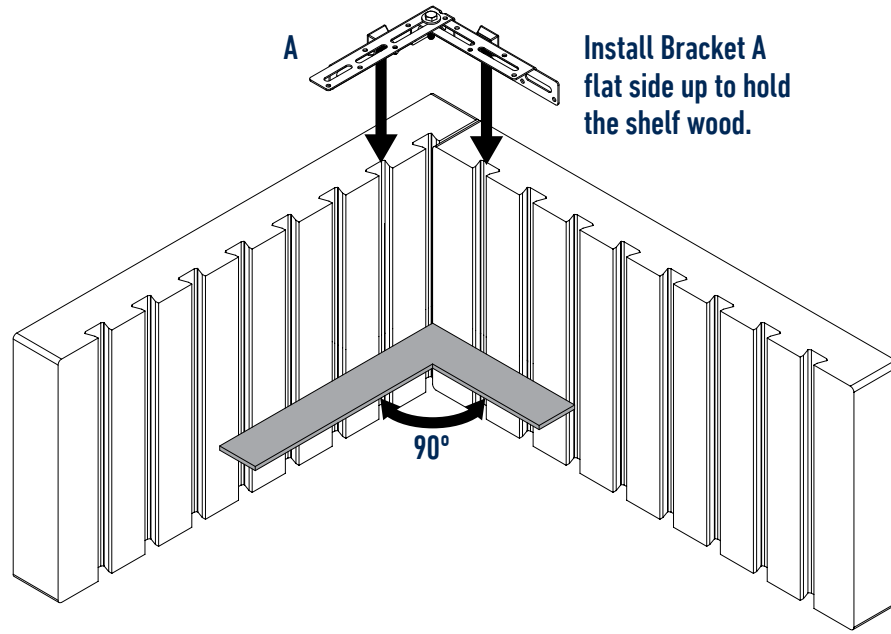
	x2	x2	x1	x2	x1
					
1			2		
					

BRACKET C	x8	x1	x2	x2	x2
					
					

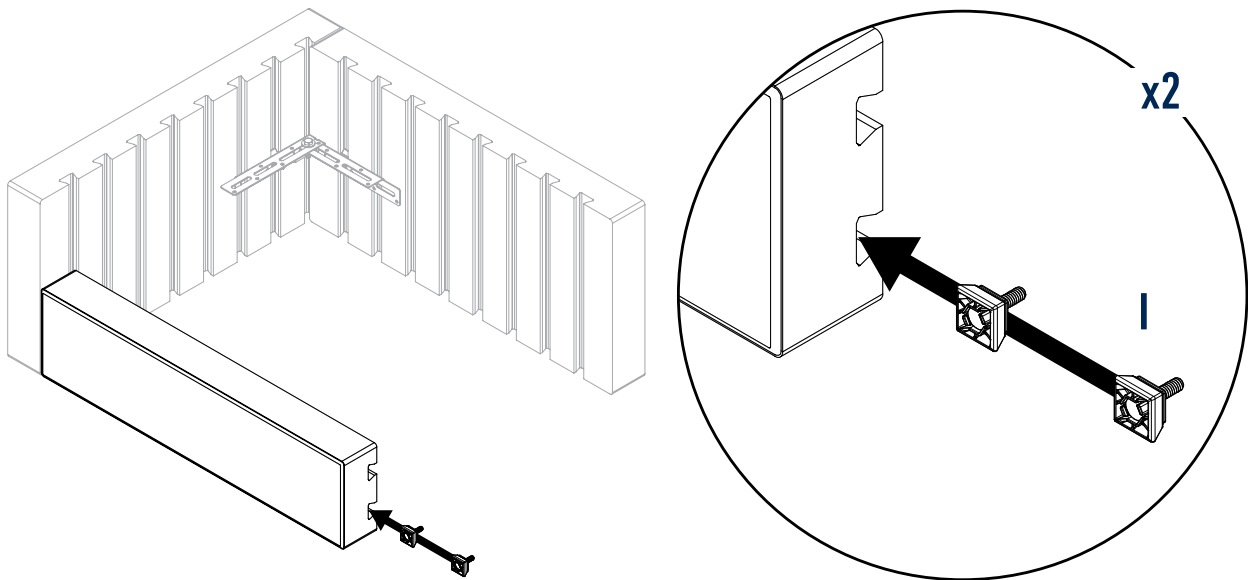
BRACKET C1	x1	x1	x2	x2	x2
					
					

ASSEMBLY I	x6	x1	x1	J	x6
					
					

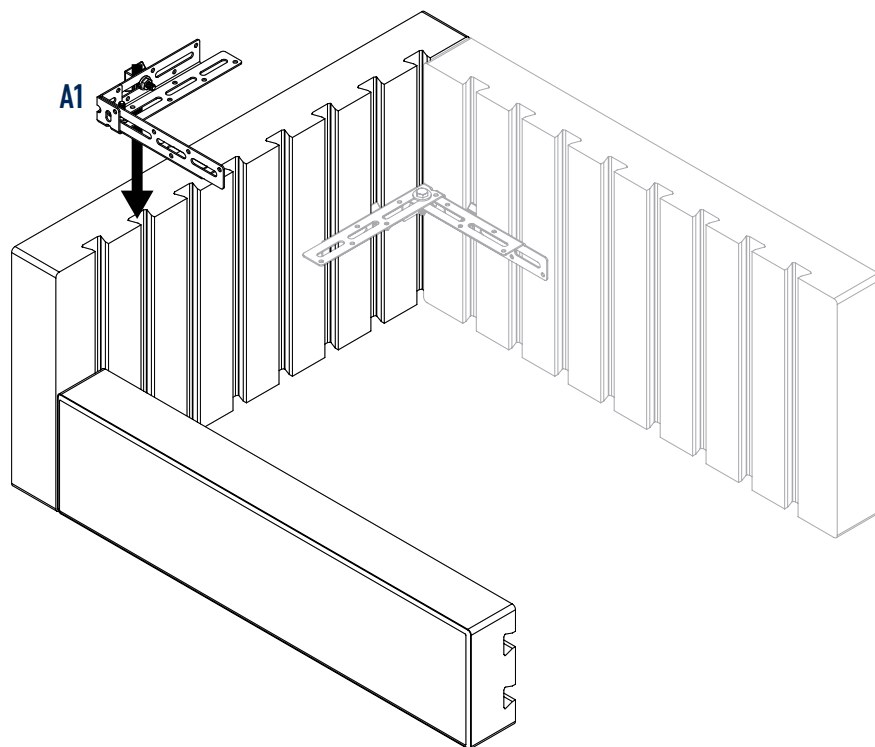
1



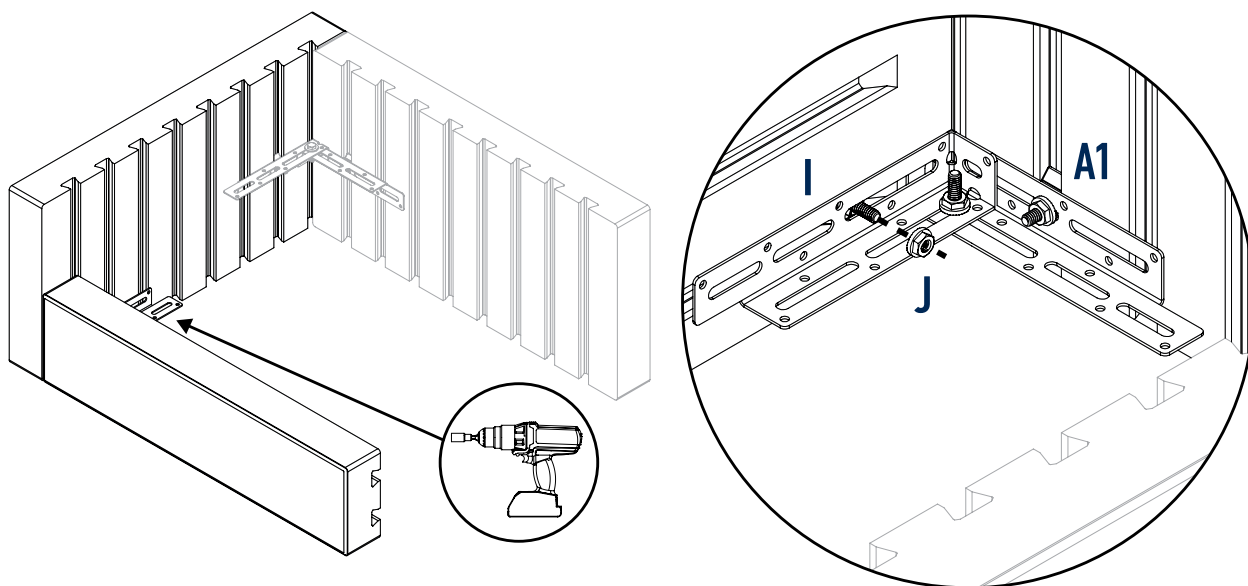
2



3

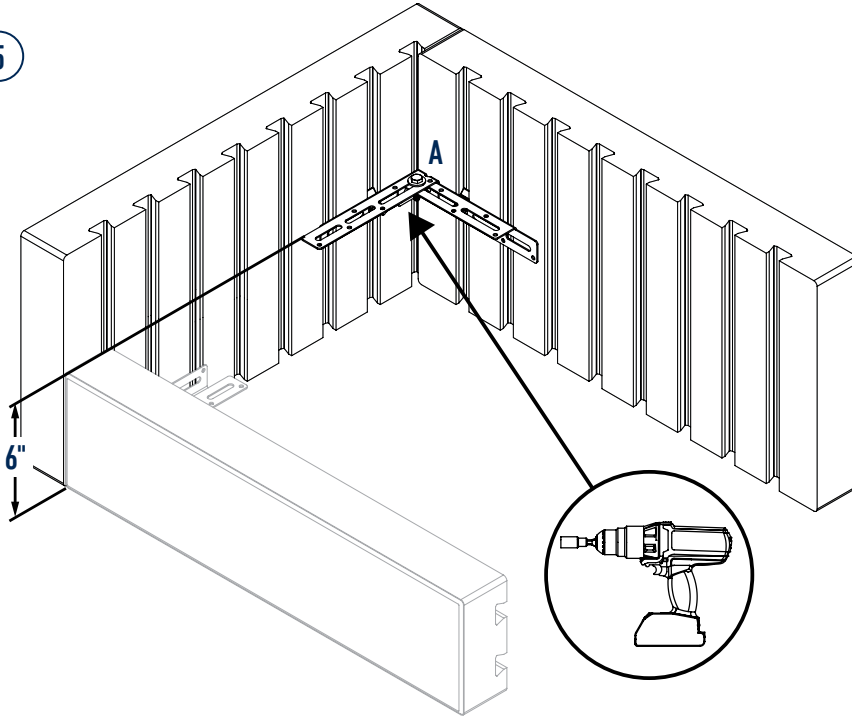


4

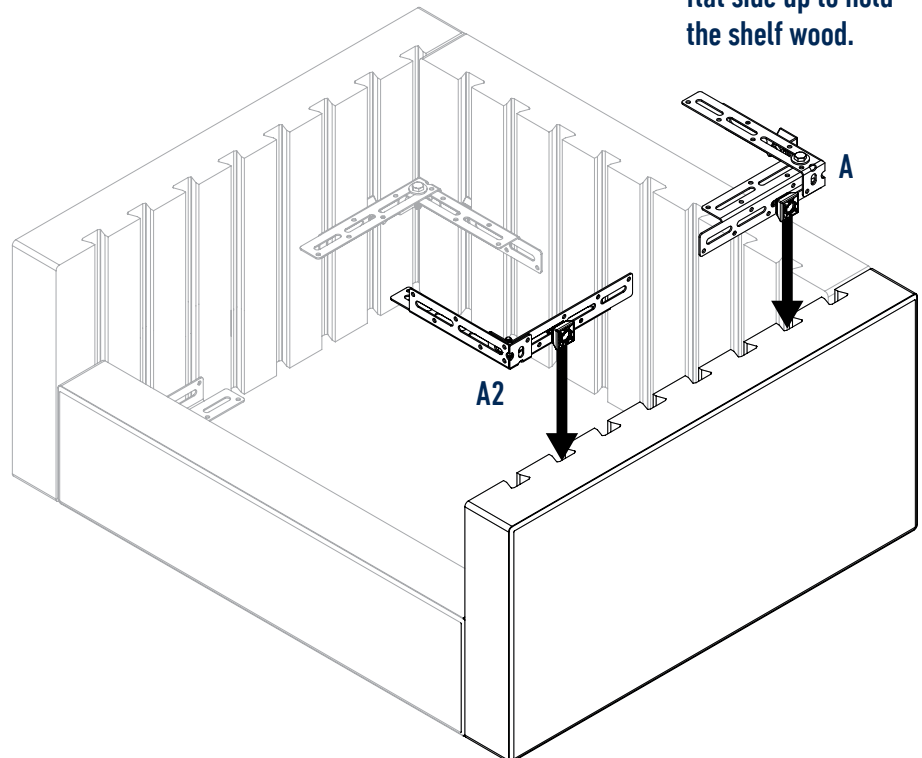




5

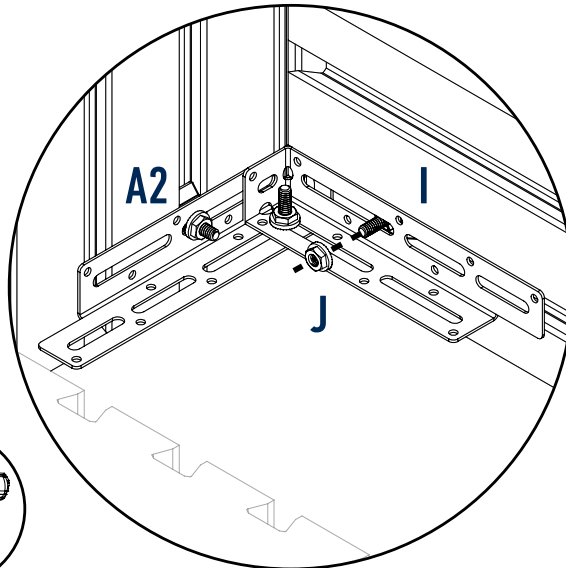
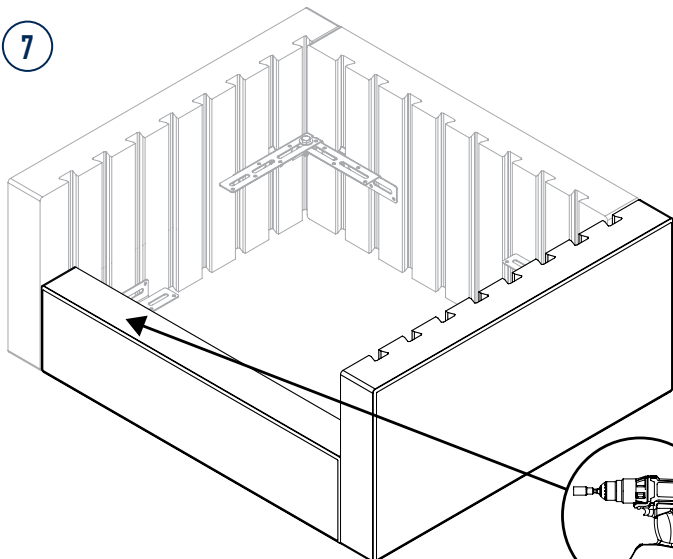


6

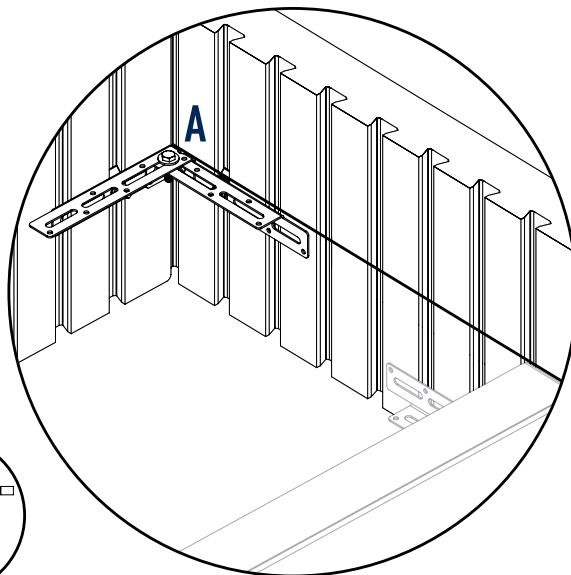
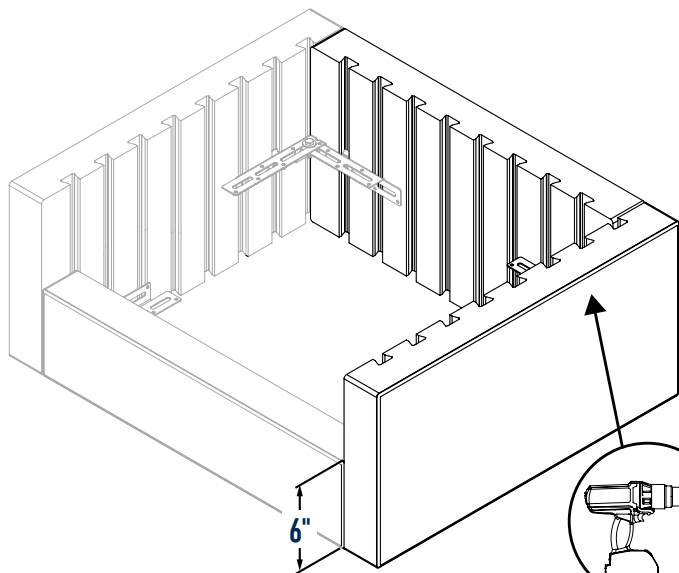


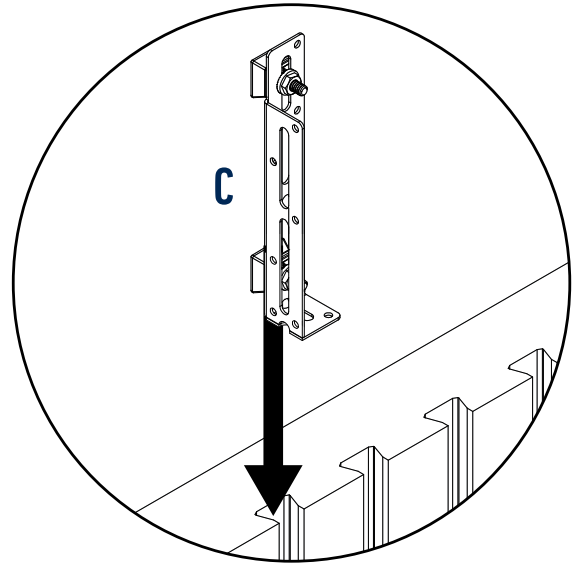
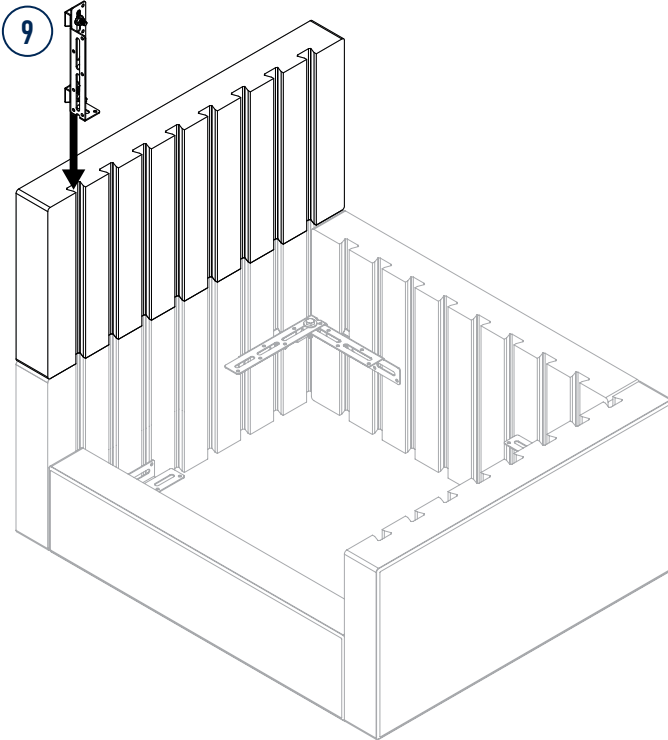
Install Bracket A
flat side up to hold
the shelf wood.

7



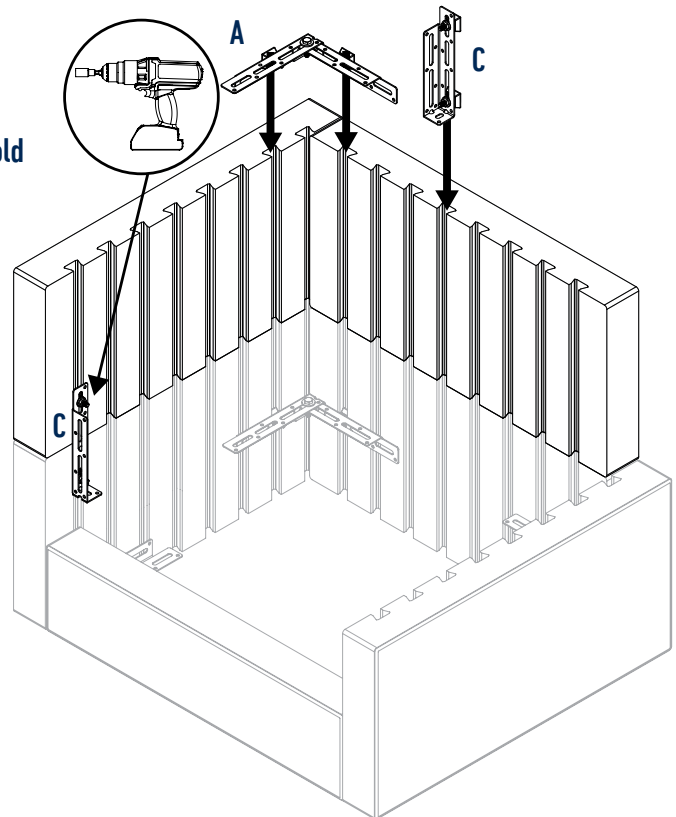
8



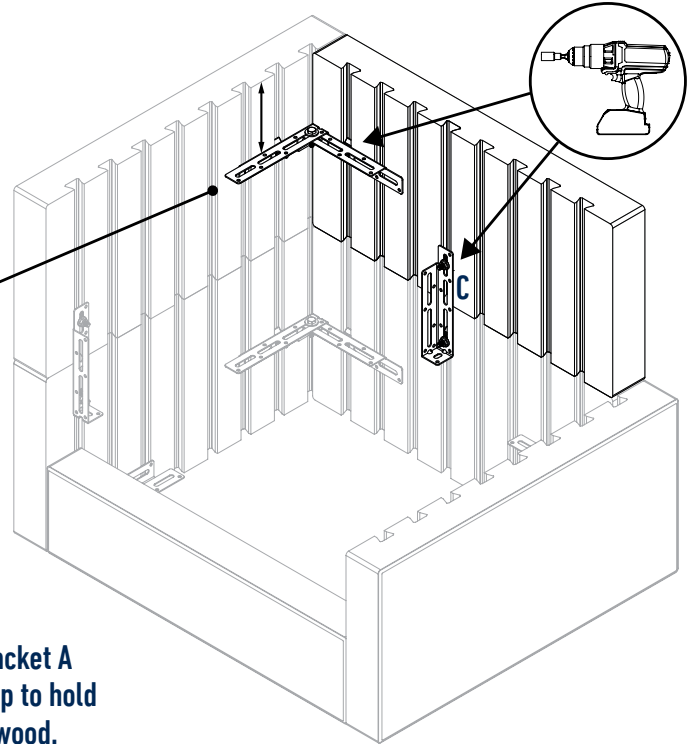
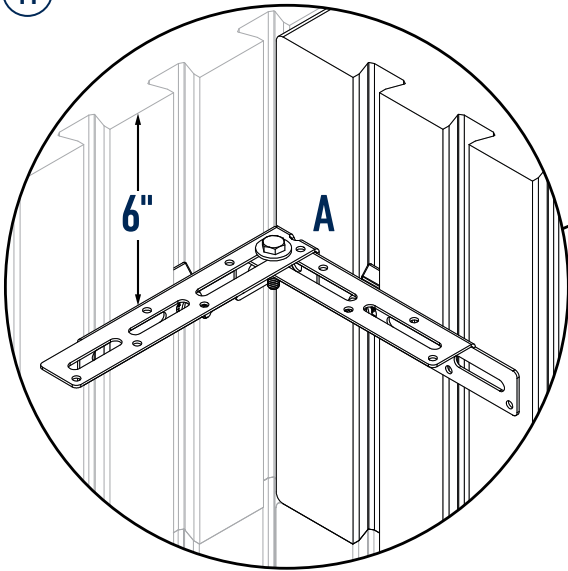


10

Install Bracket A
flat side up to hold
the shelf wood.

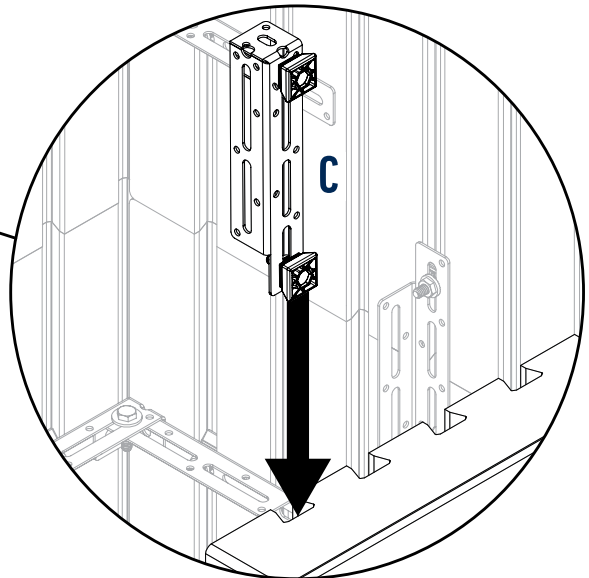
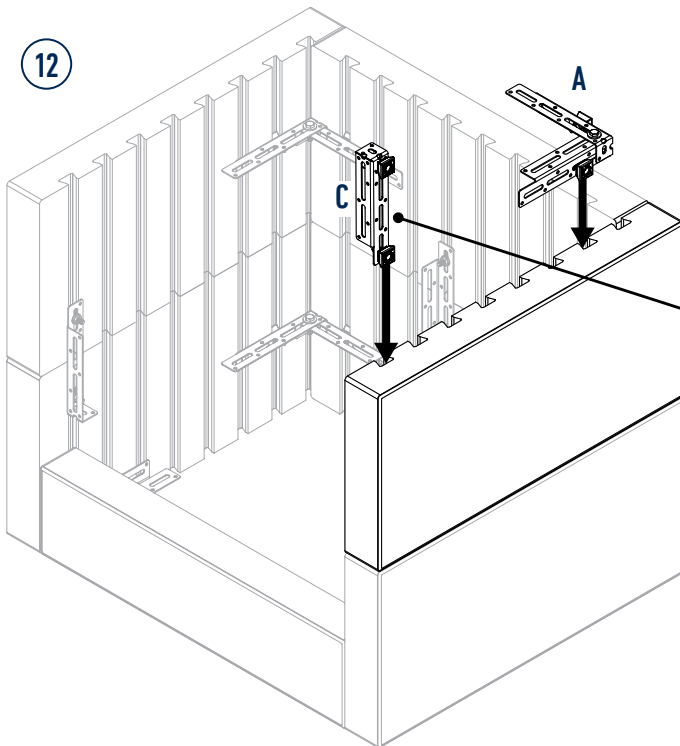


11

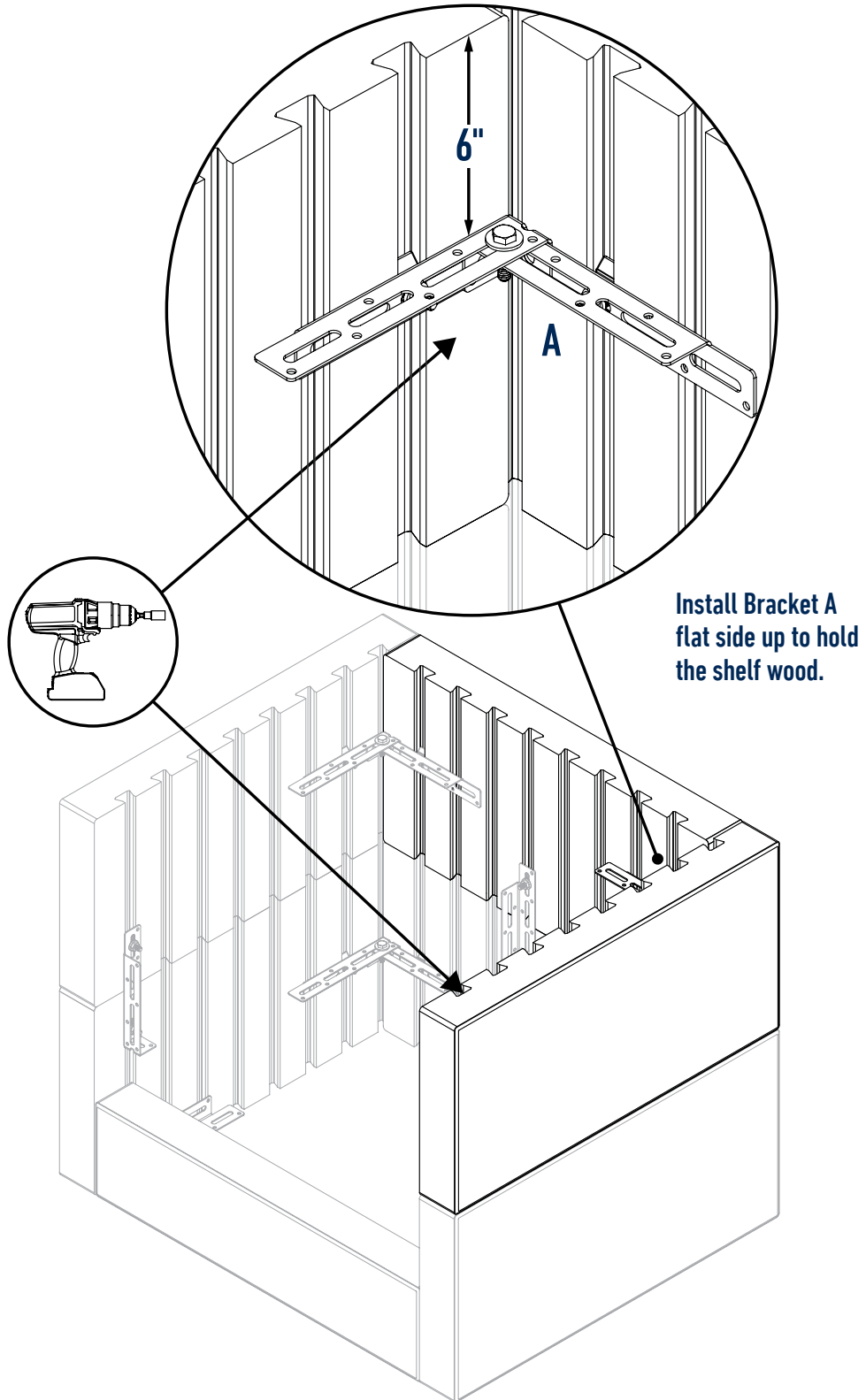


**Install Bracket A
flat side up to hold
the shelf wood.**

12

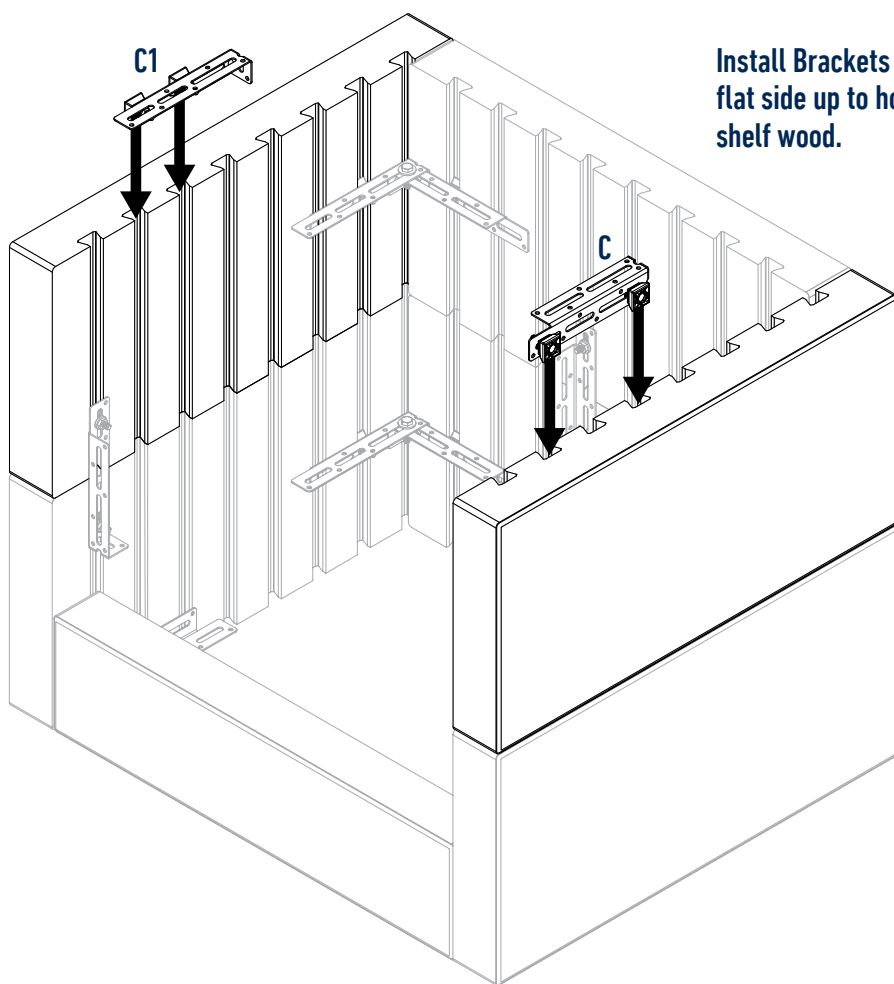


13



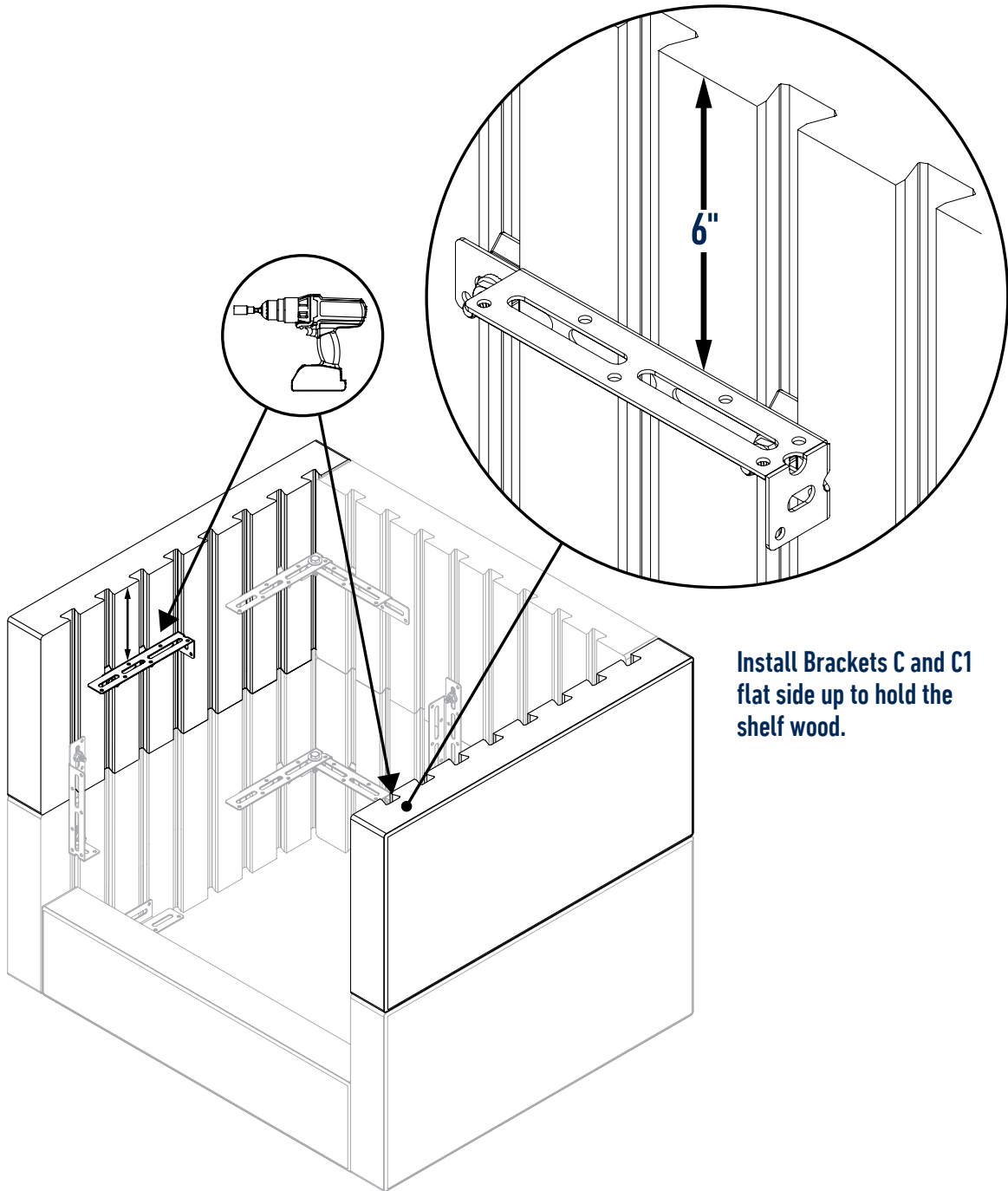


14



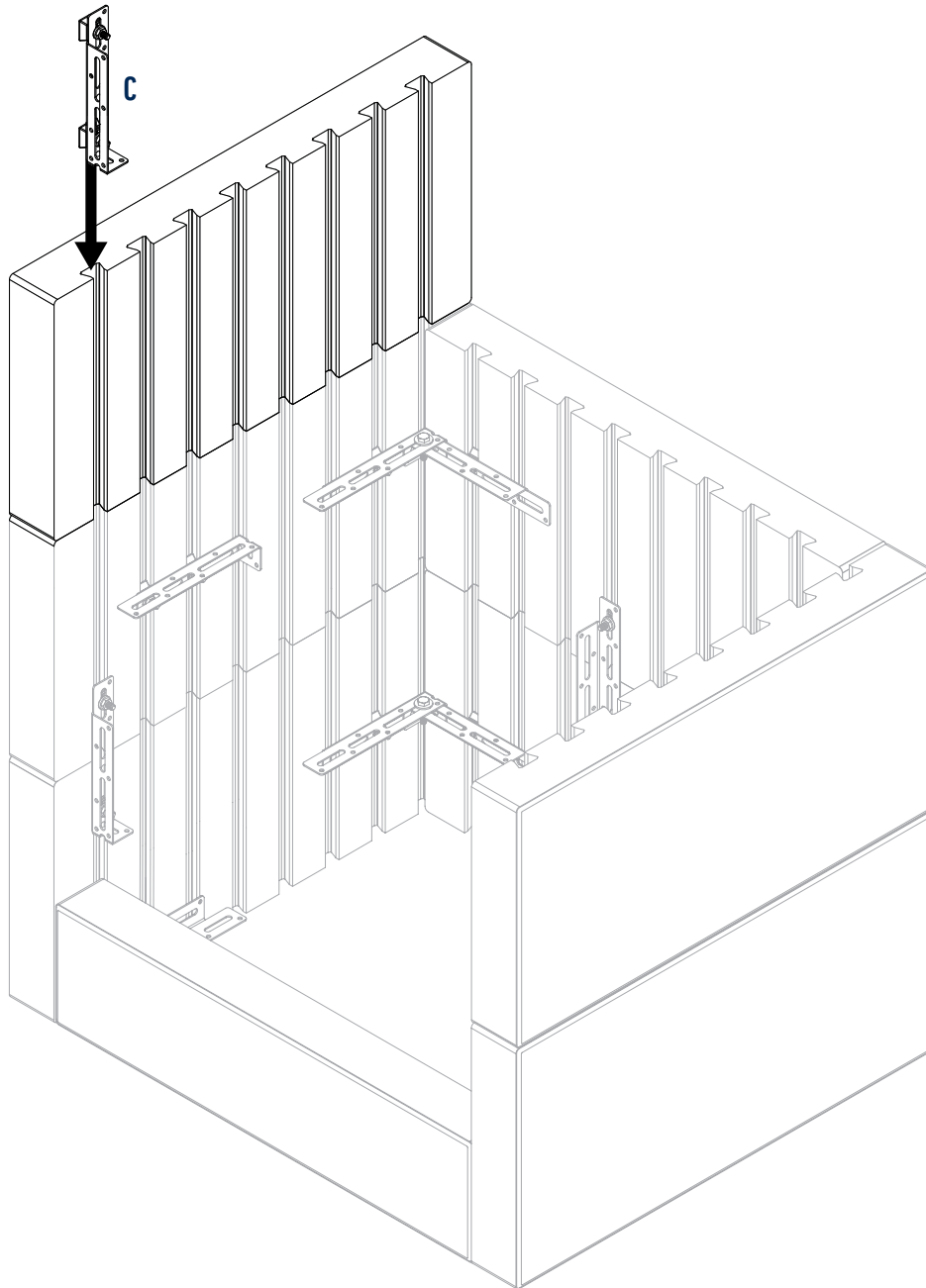
Install Brackets C and C1
flat side up to hold the
shelf wood.

15

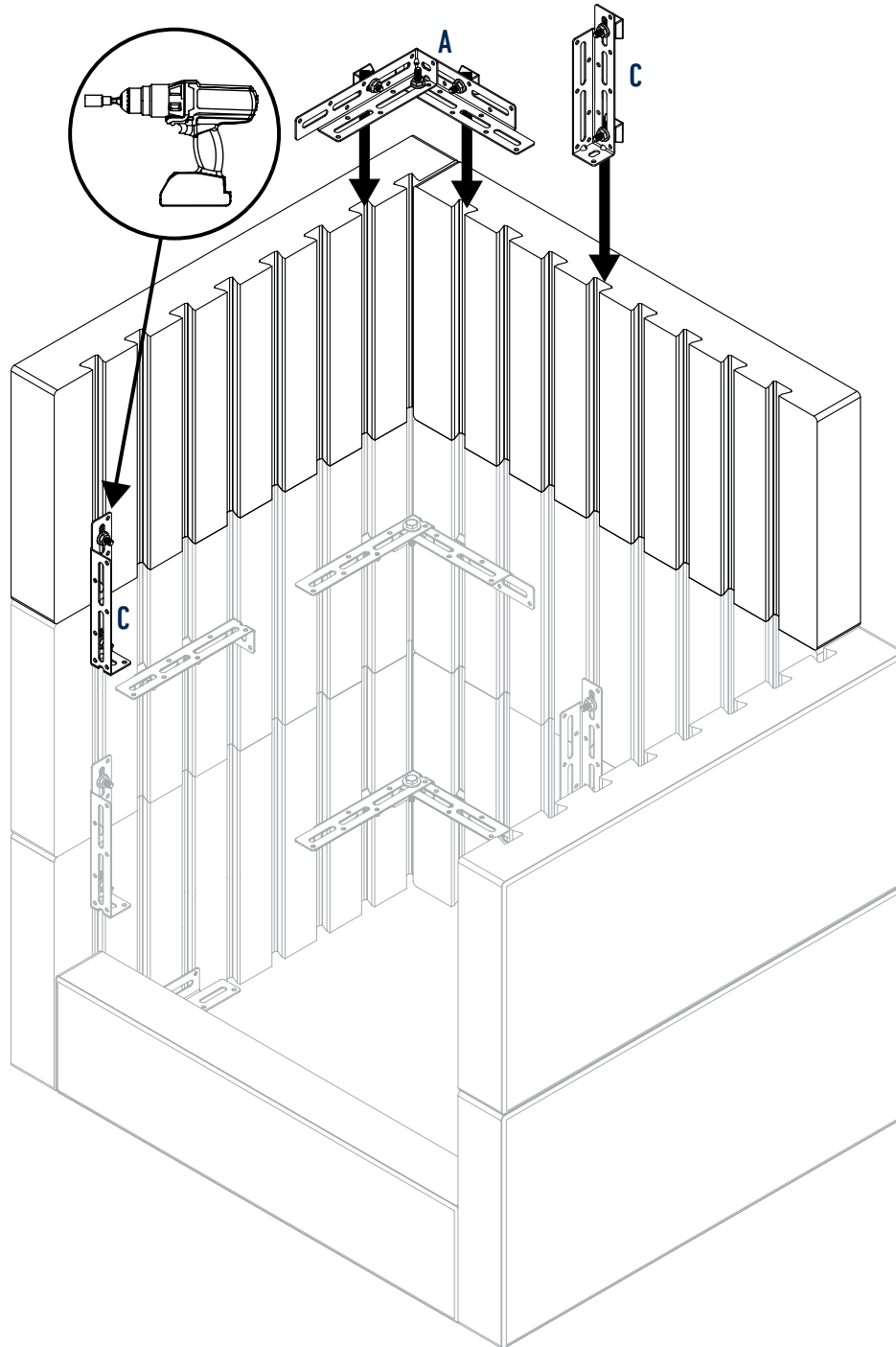


**Install Brackets C and C1
flat side up to hold the
shelf wood.**

16

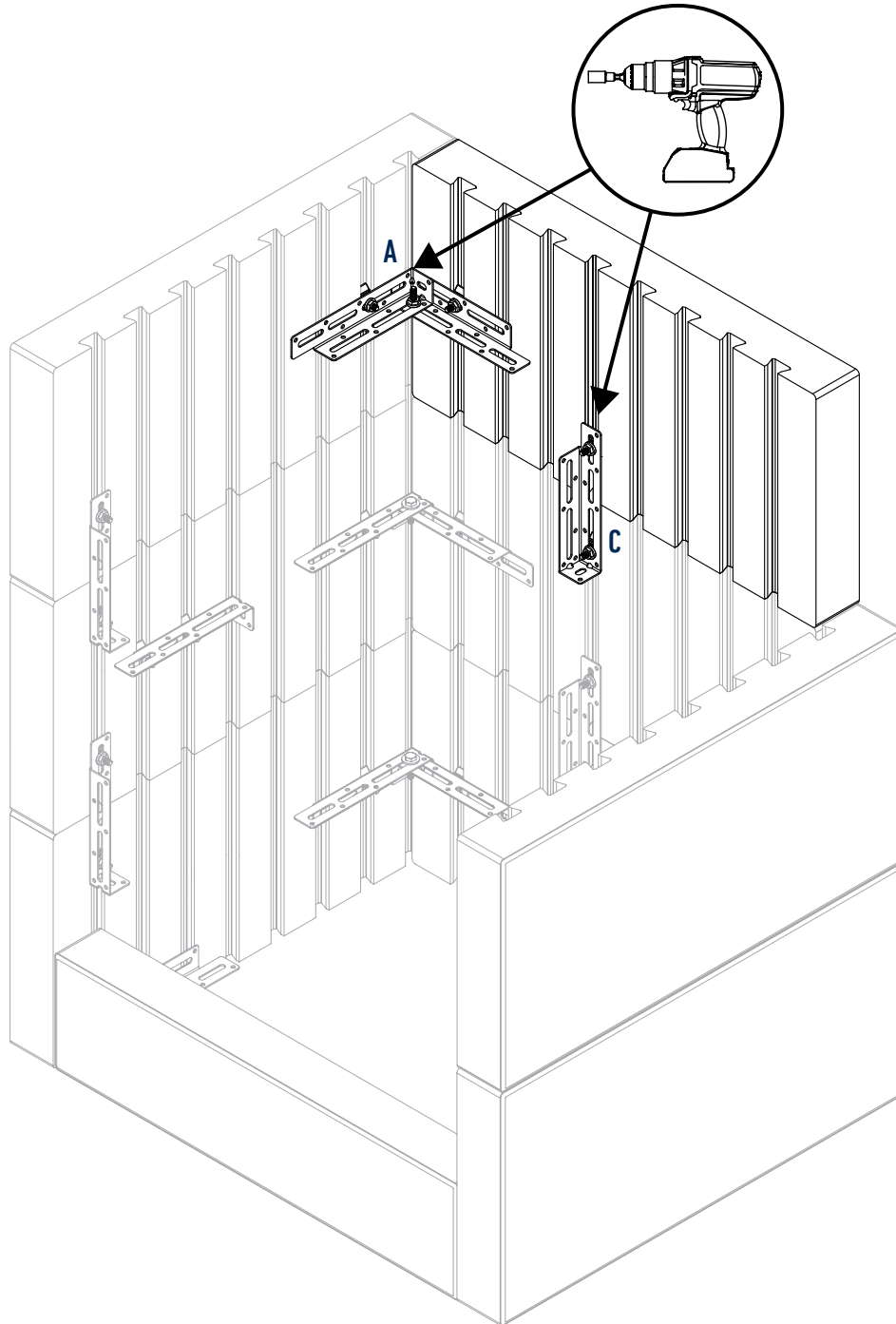


17



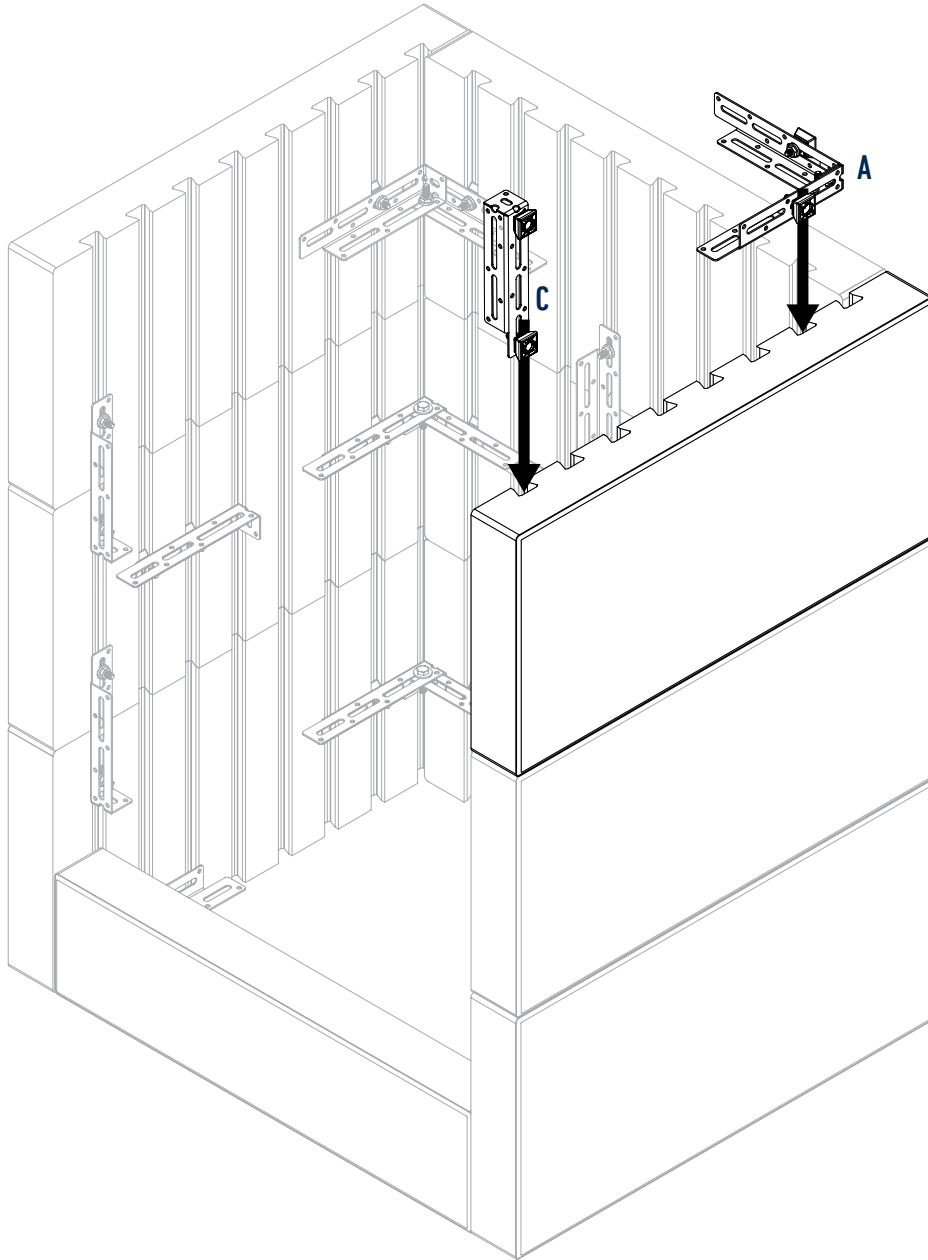


18



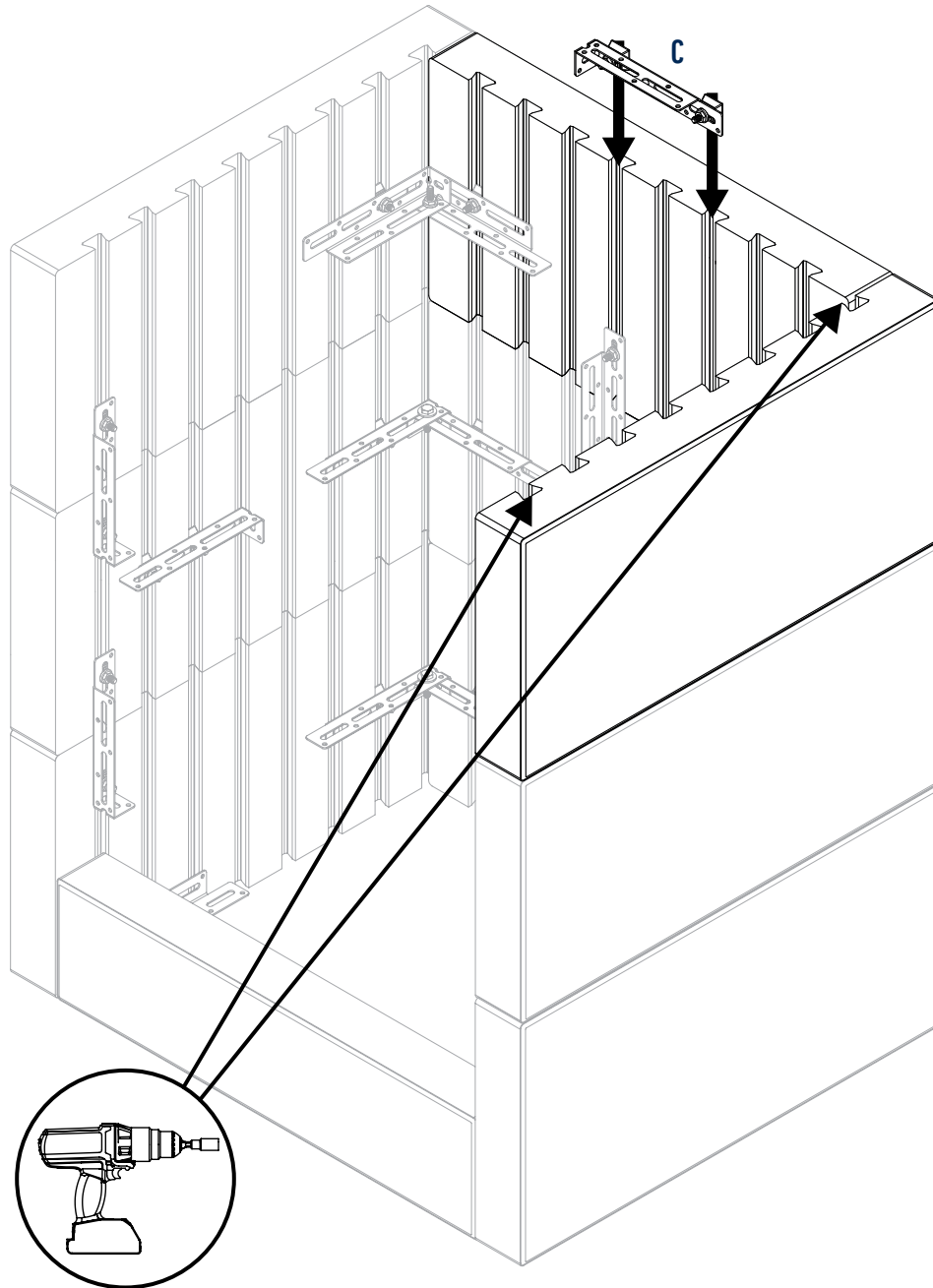


19



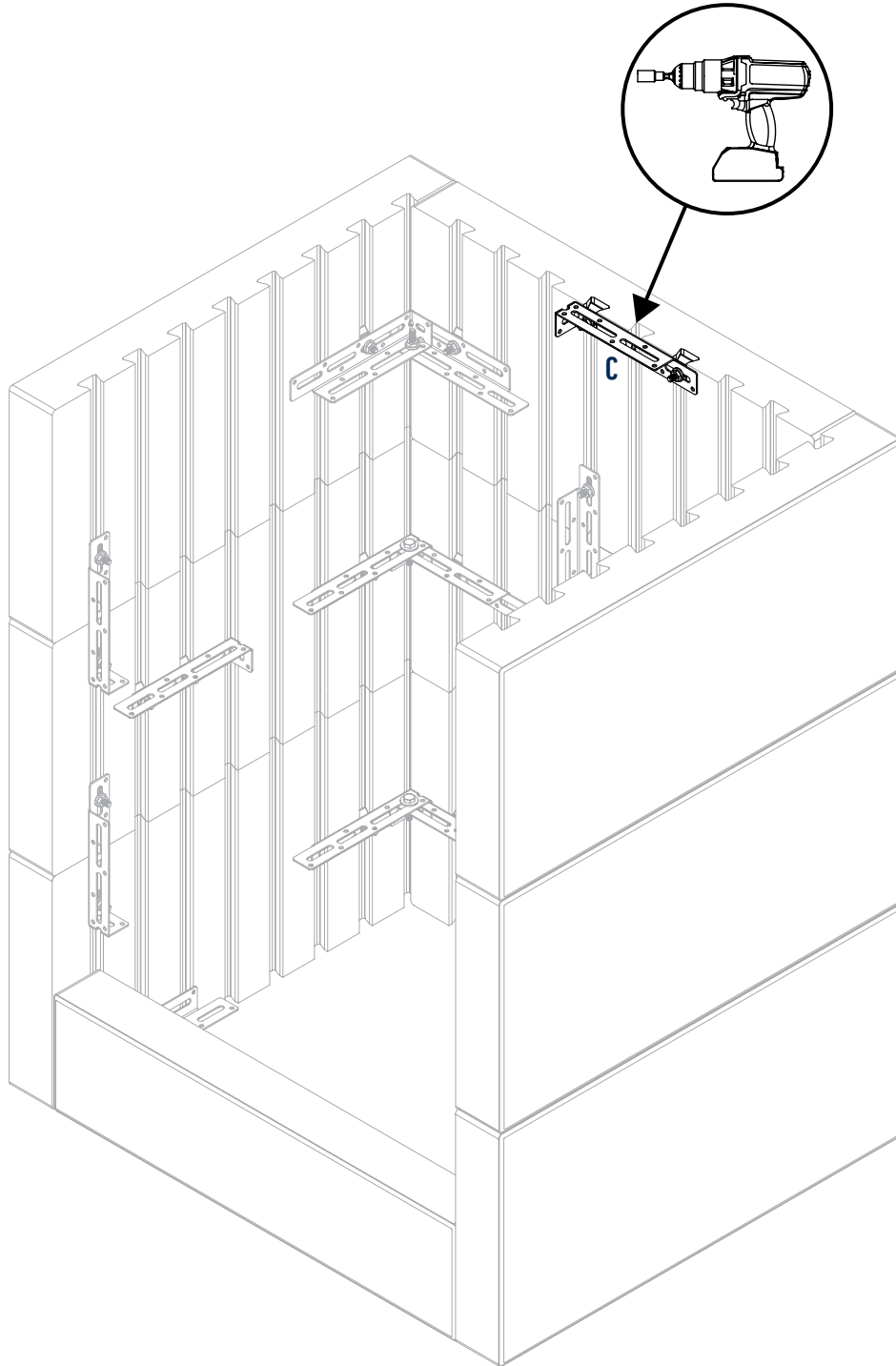


20

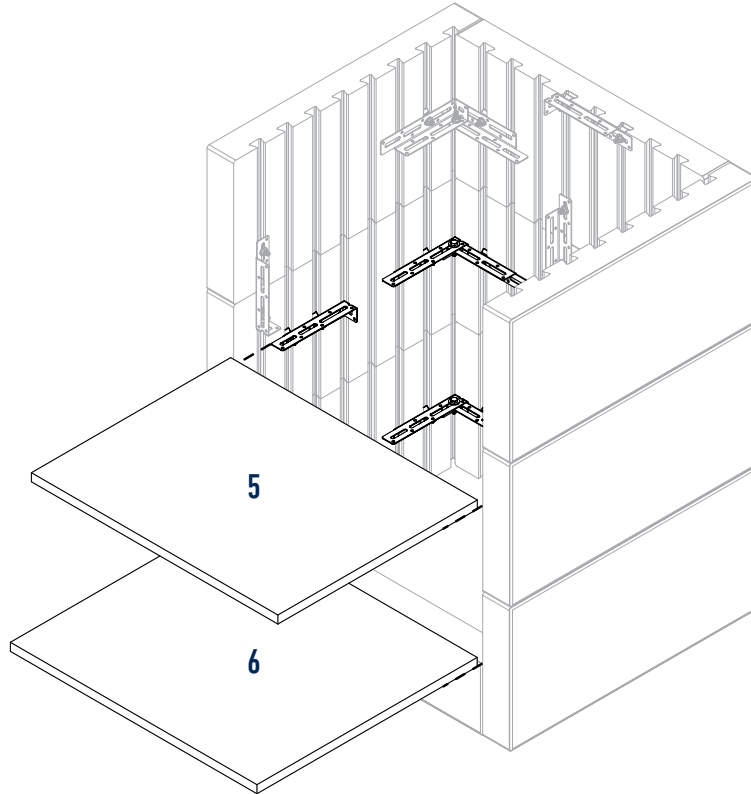




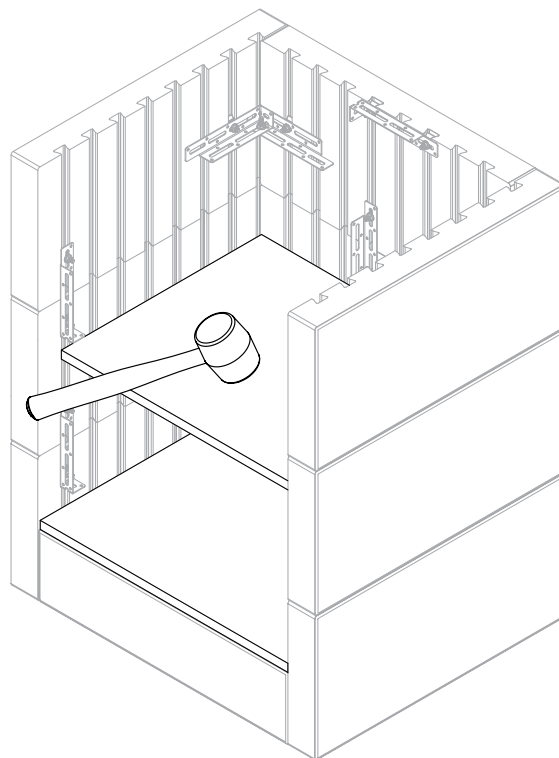
21



22

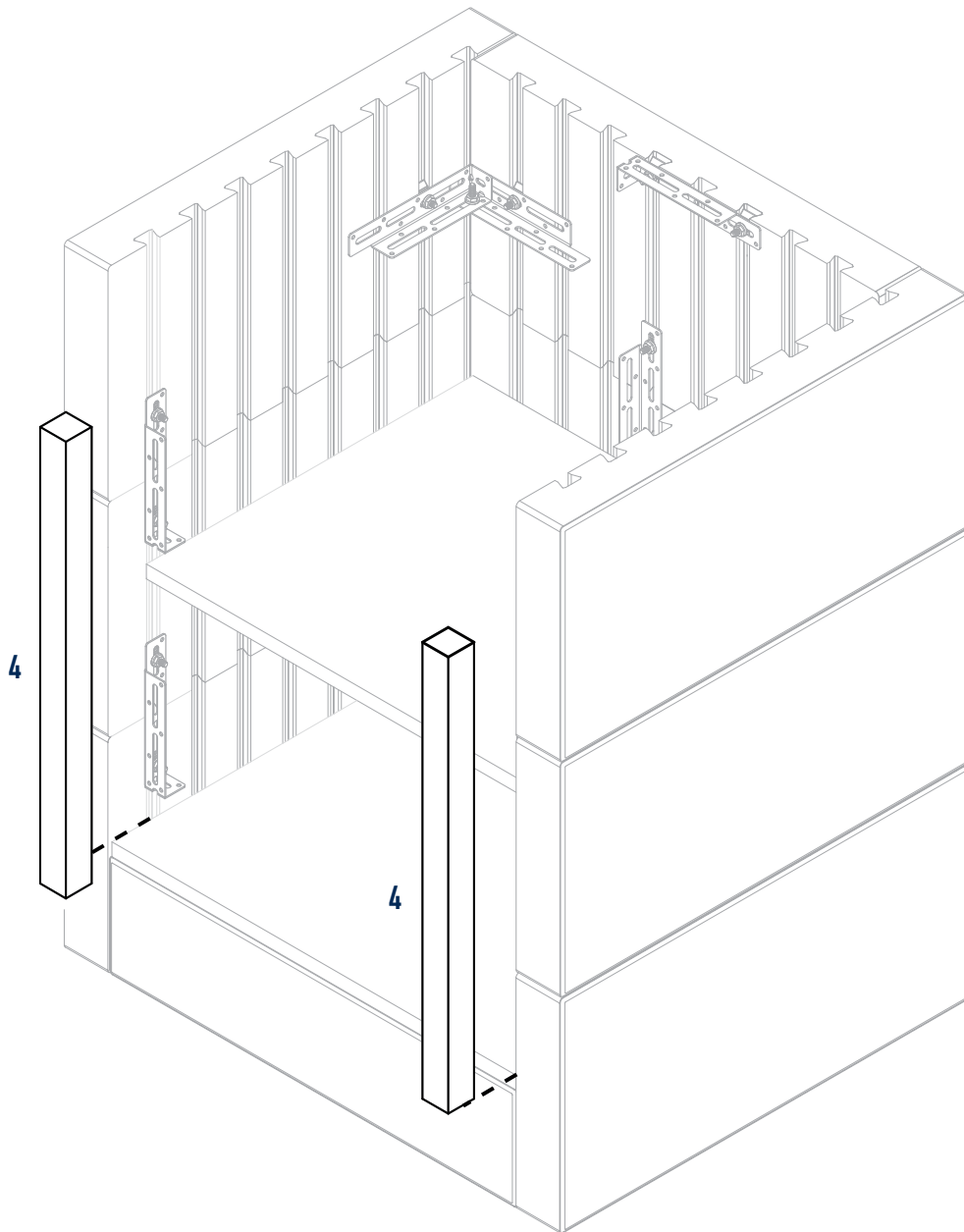


23

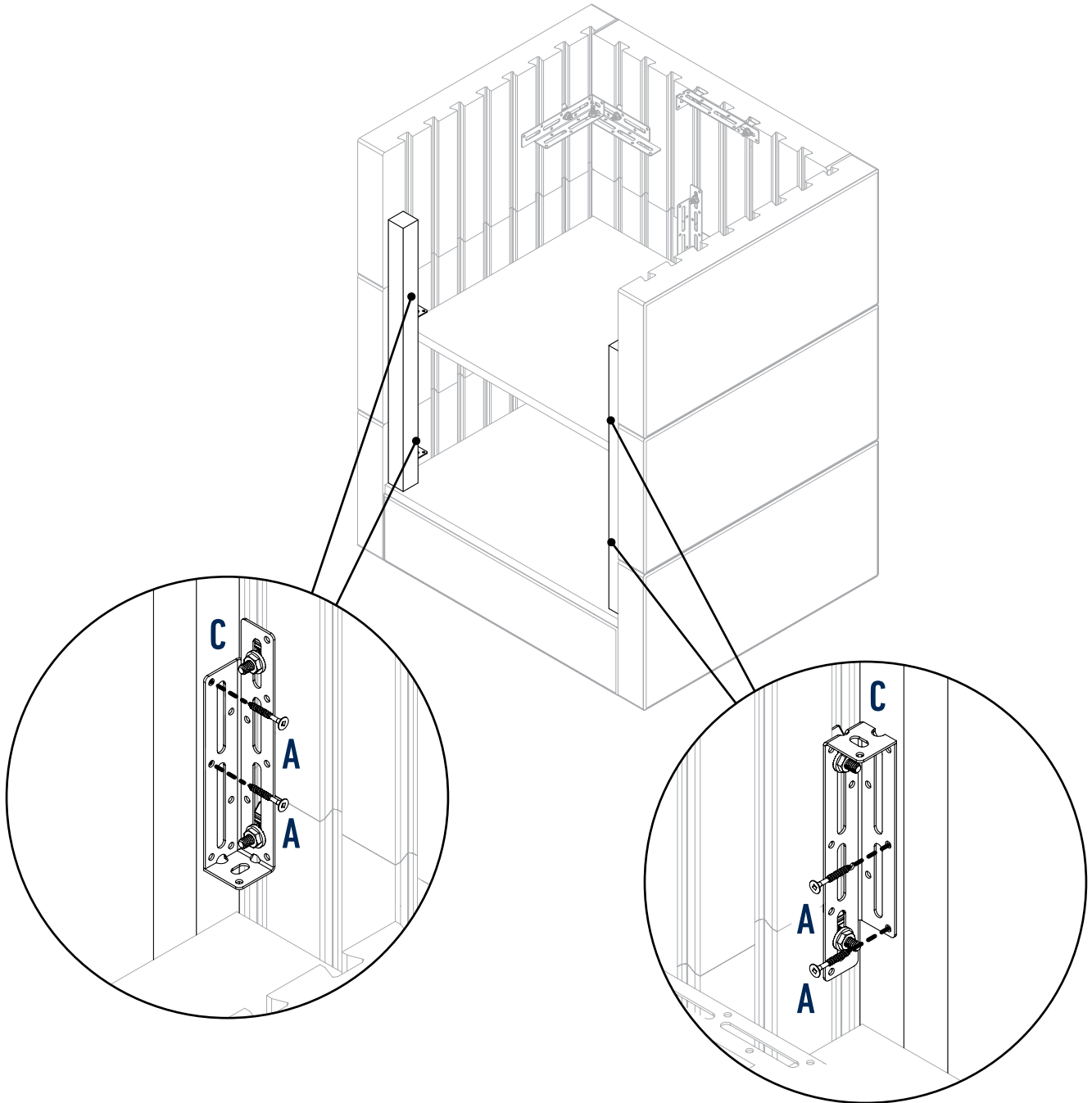




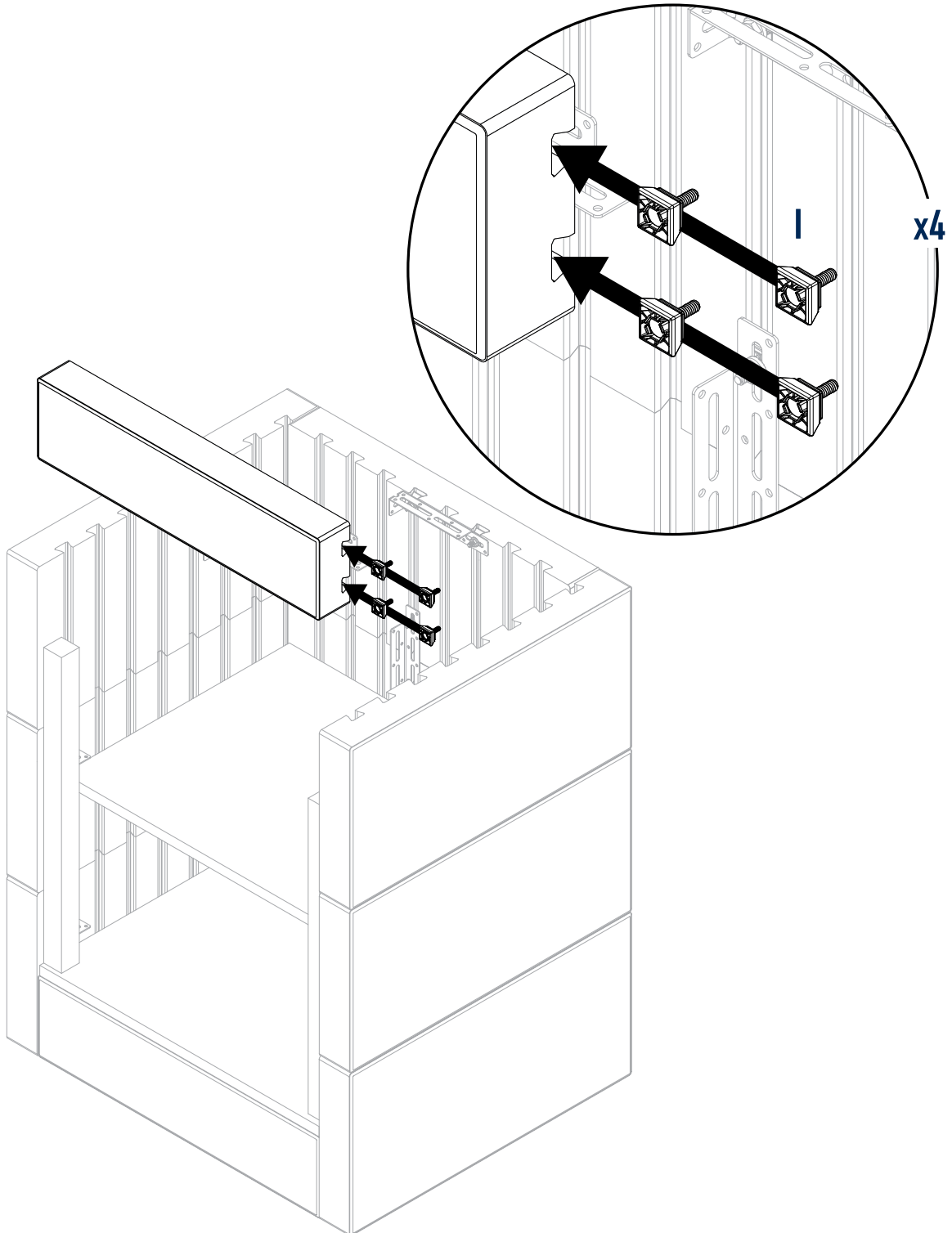
24



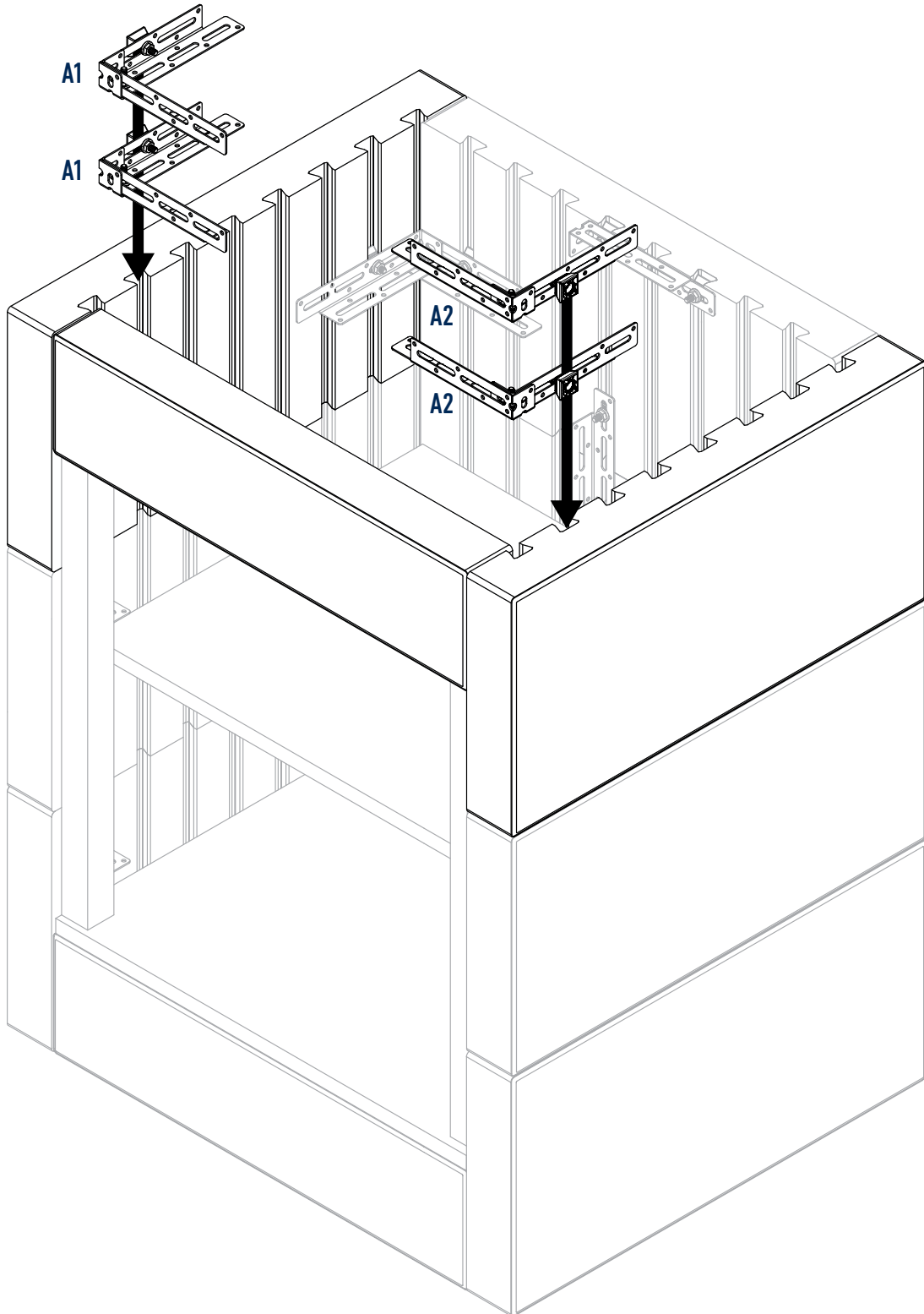
25



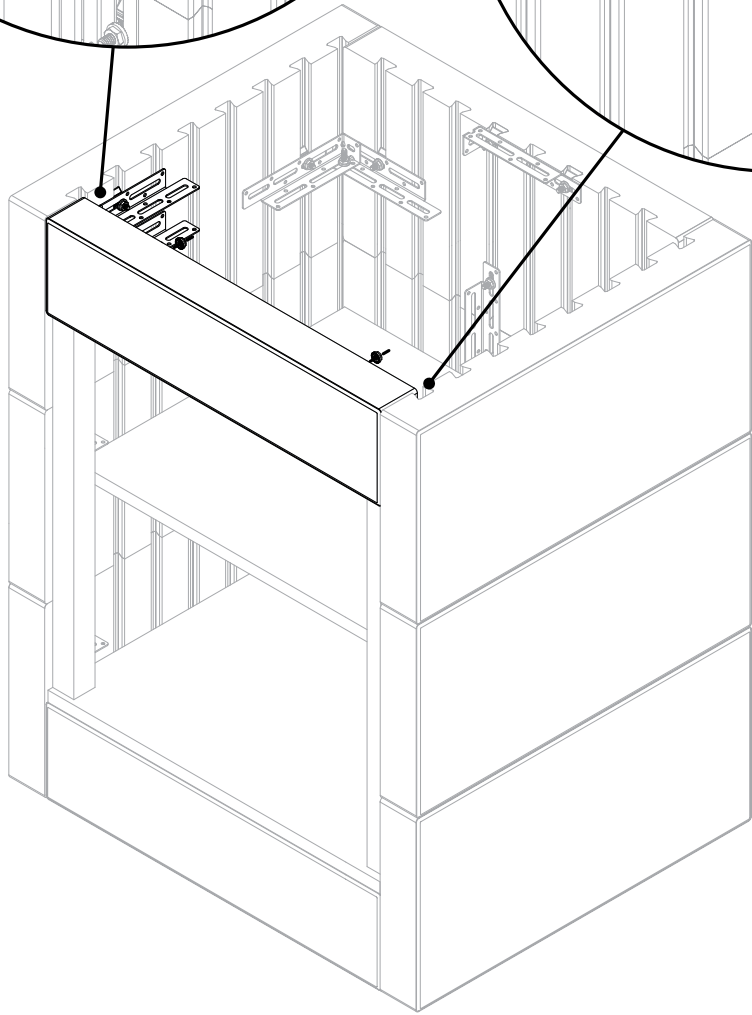
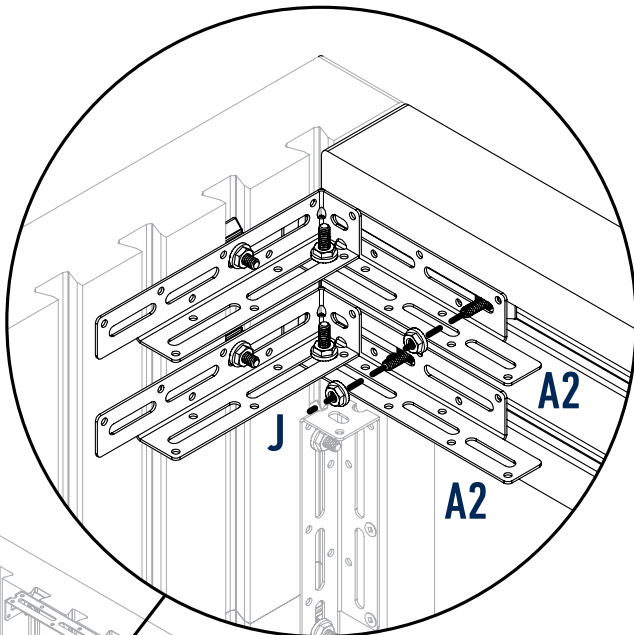
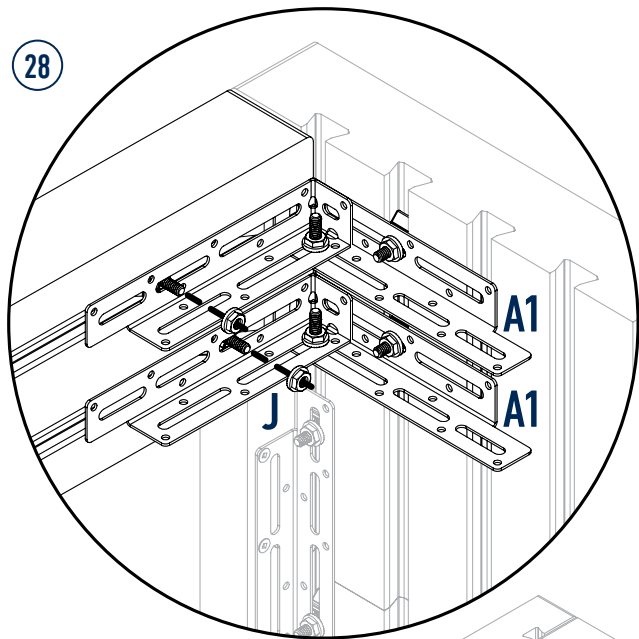
26

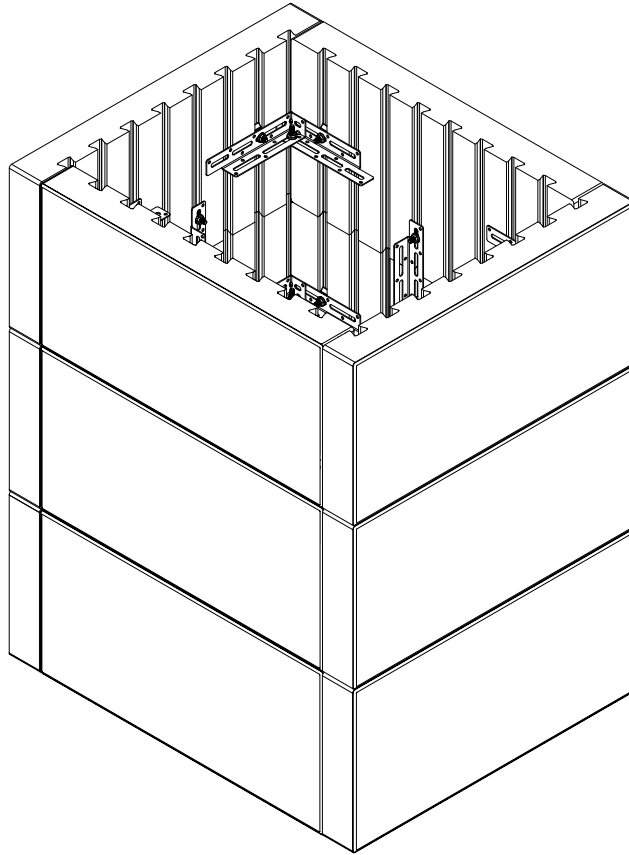


27

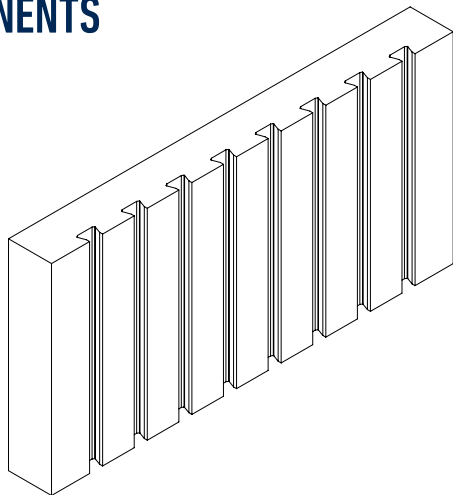


28

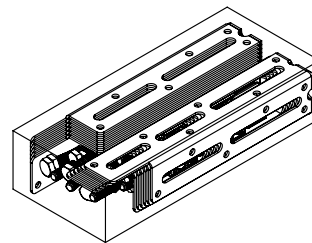




COMPONENTS



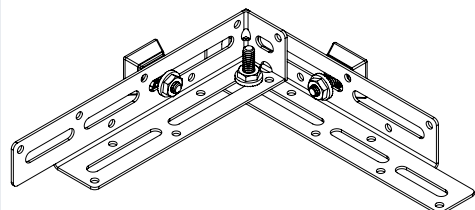
Large Panel (x12)
12" x 24"



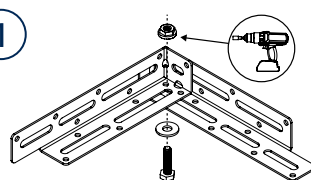
Hardware Kit (x3)

BRACKET A

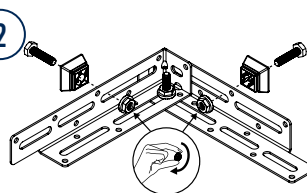
x12



1

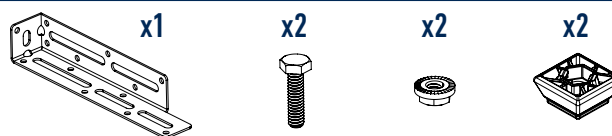
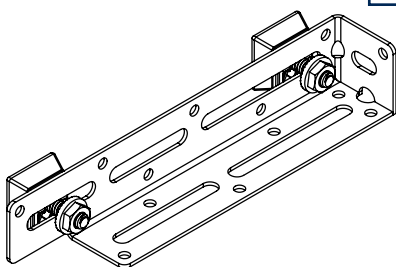


2

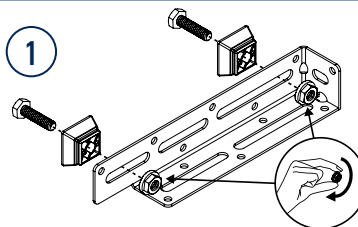


BRACKET C

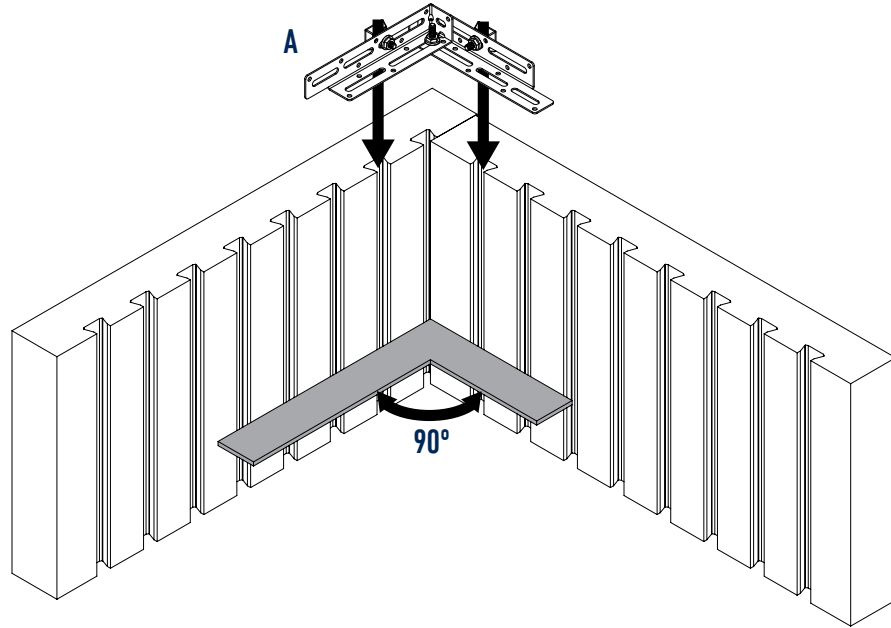
x8



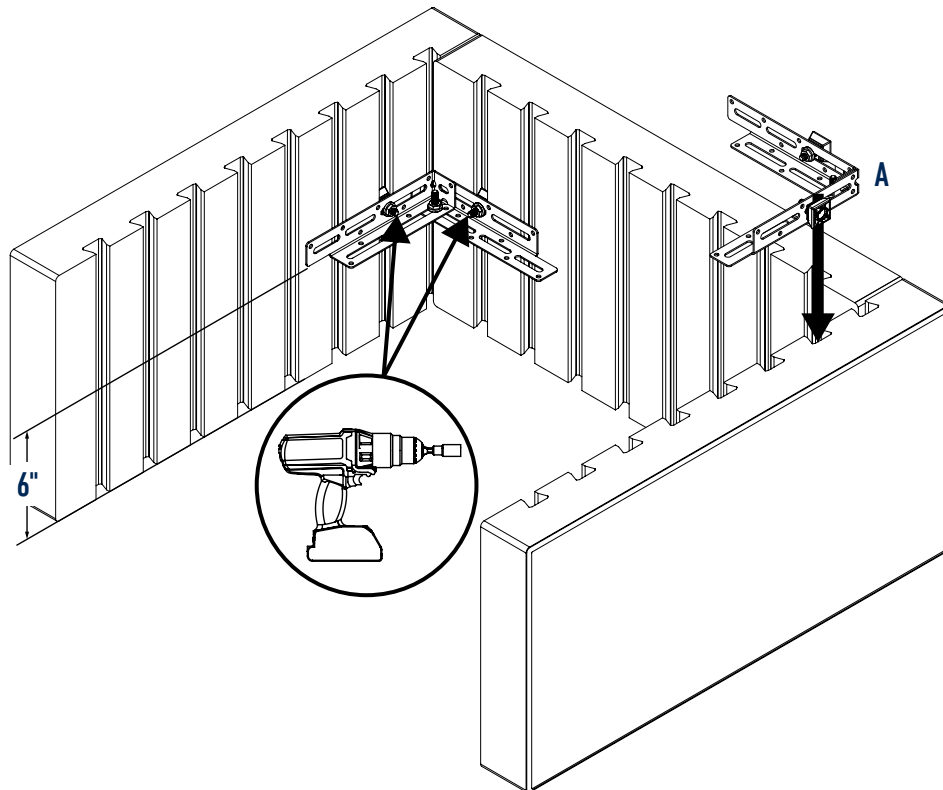
1



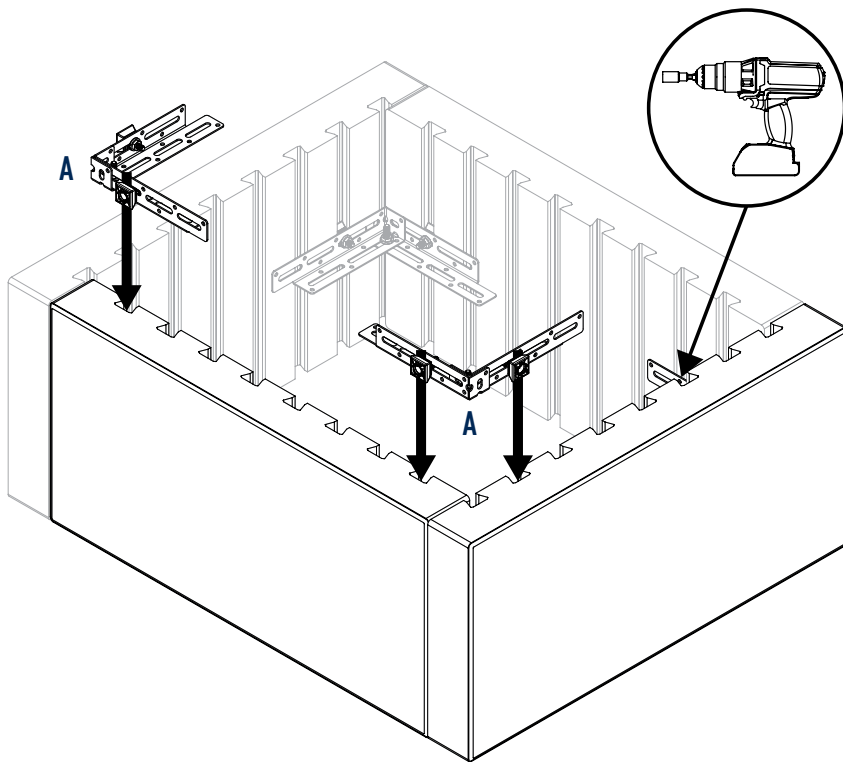
1



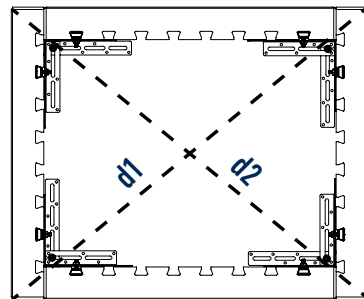
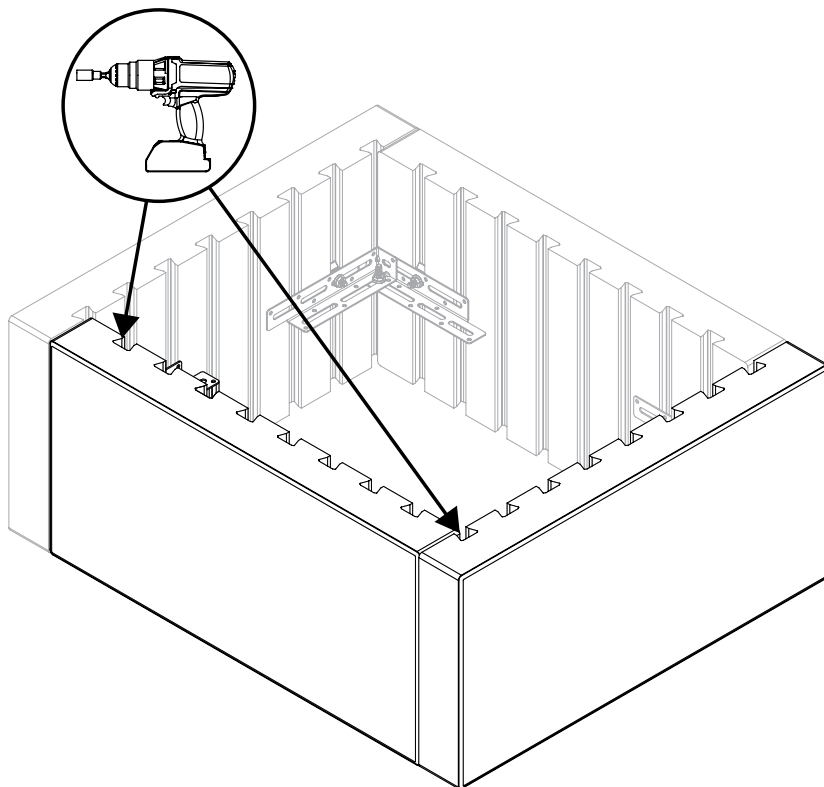
2



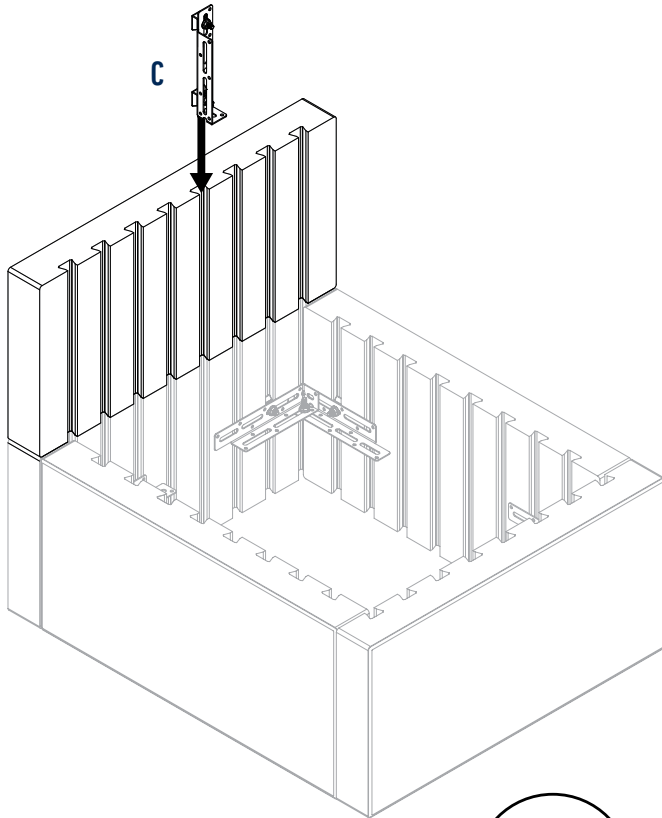
3



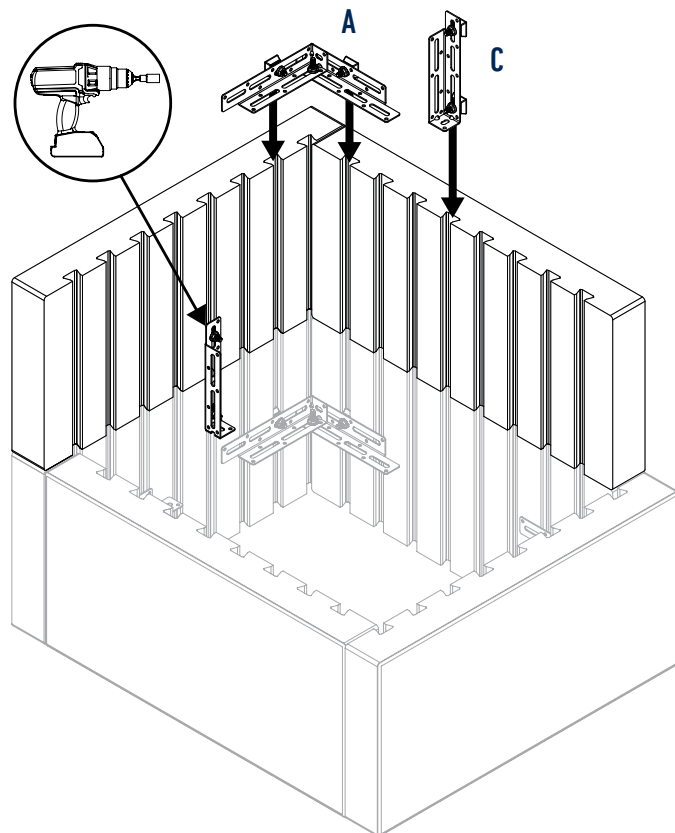
4



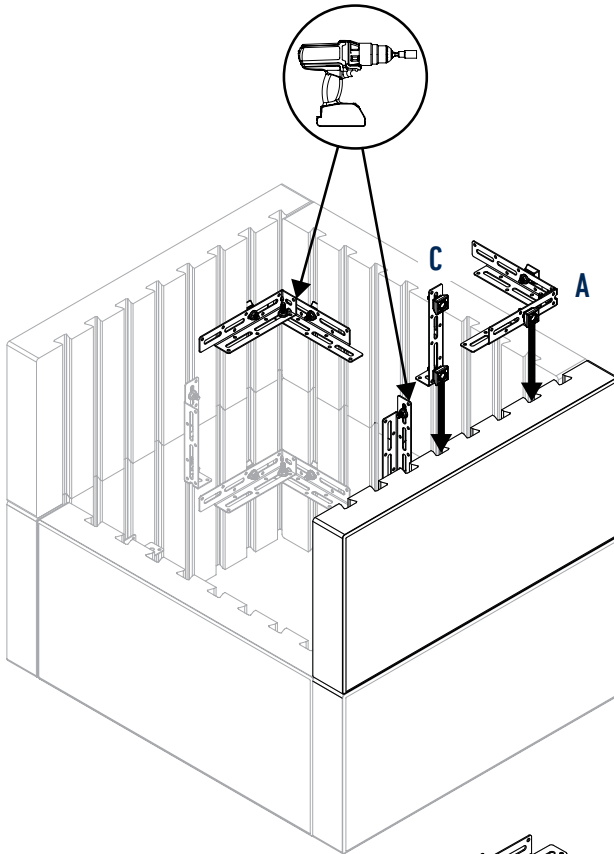
5



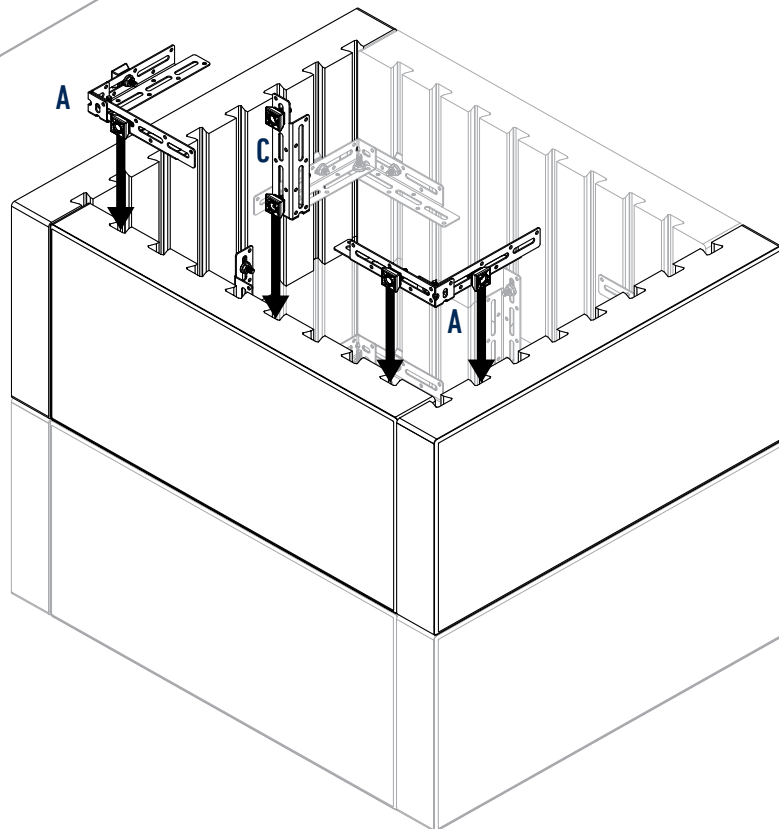
6

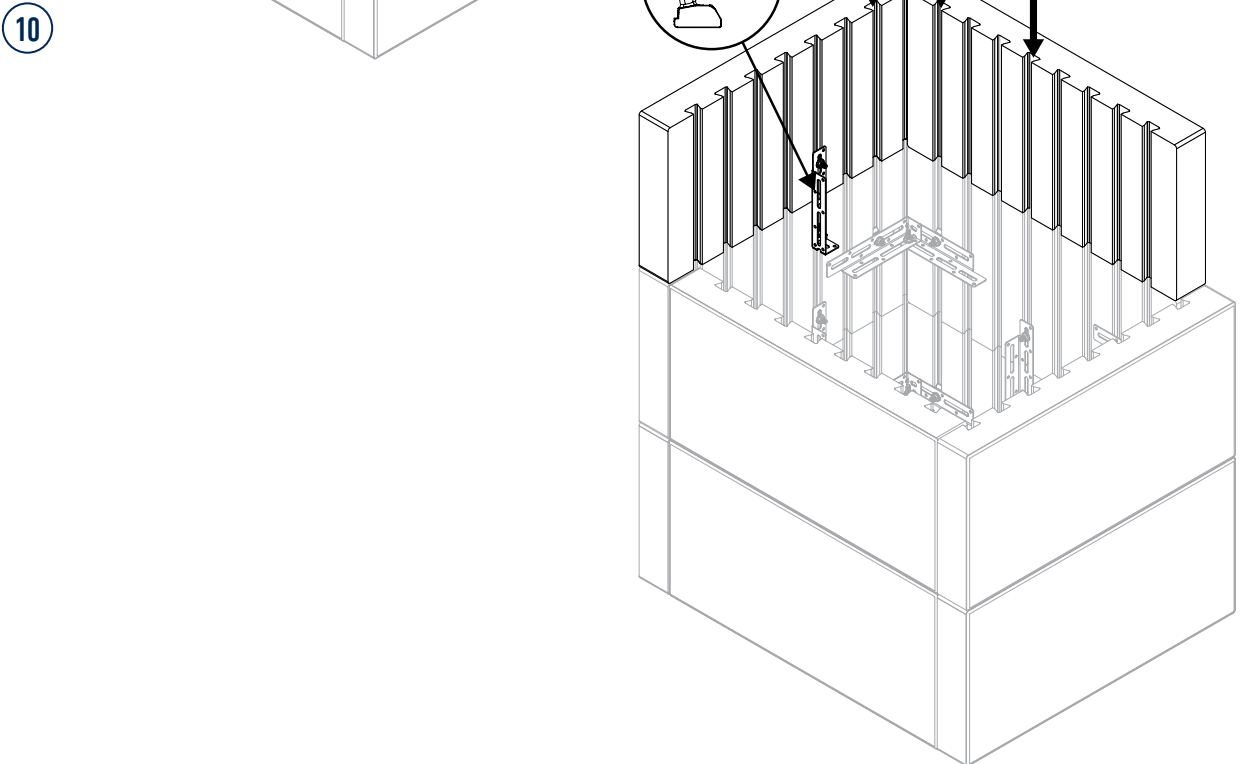
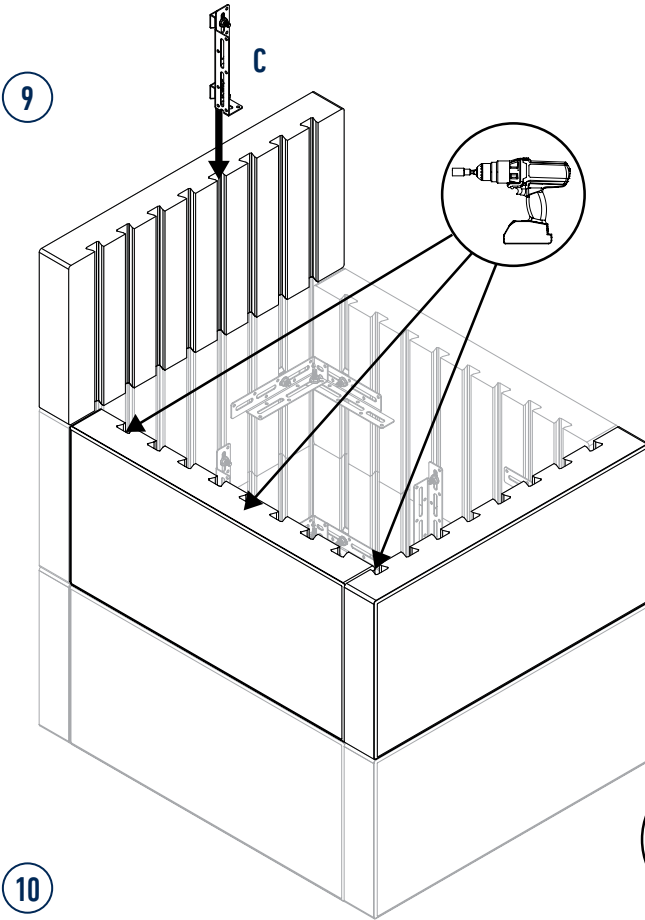


7

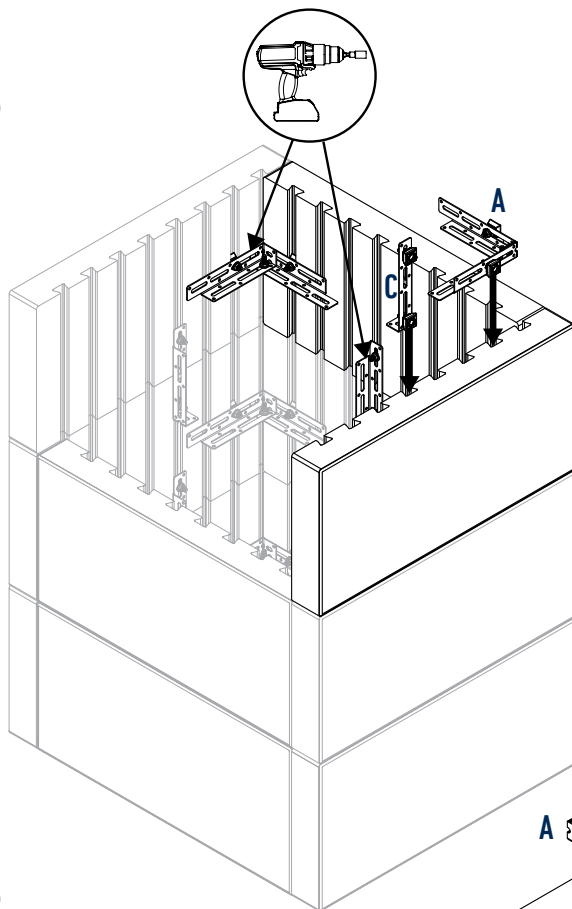


8

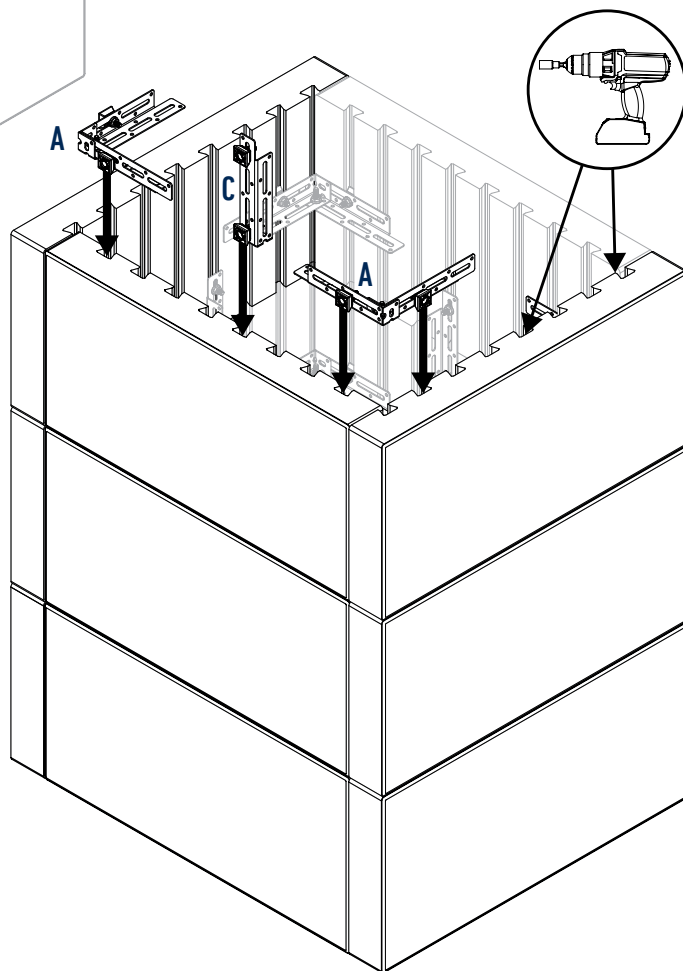




11

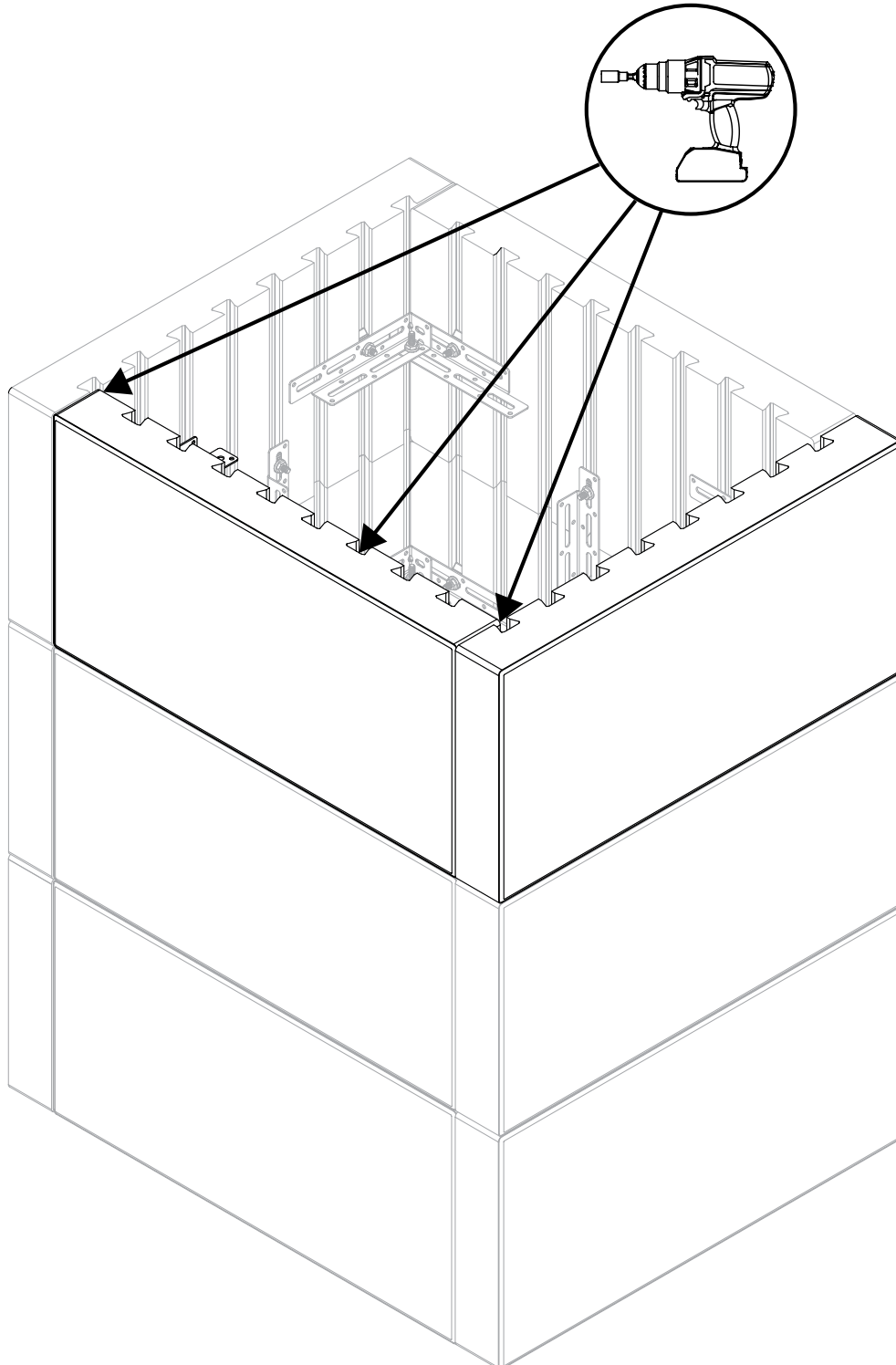


12



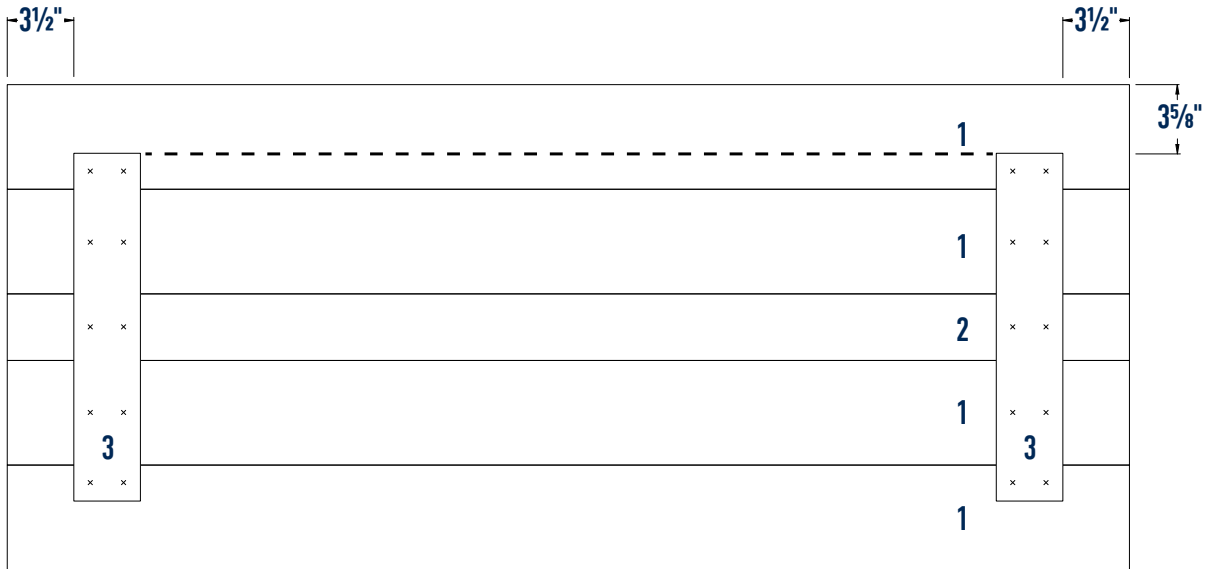


13



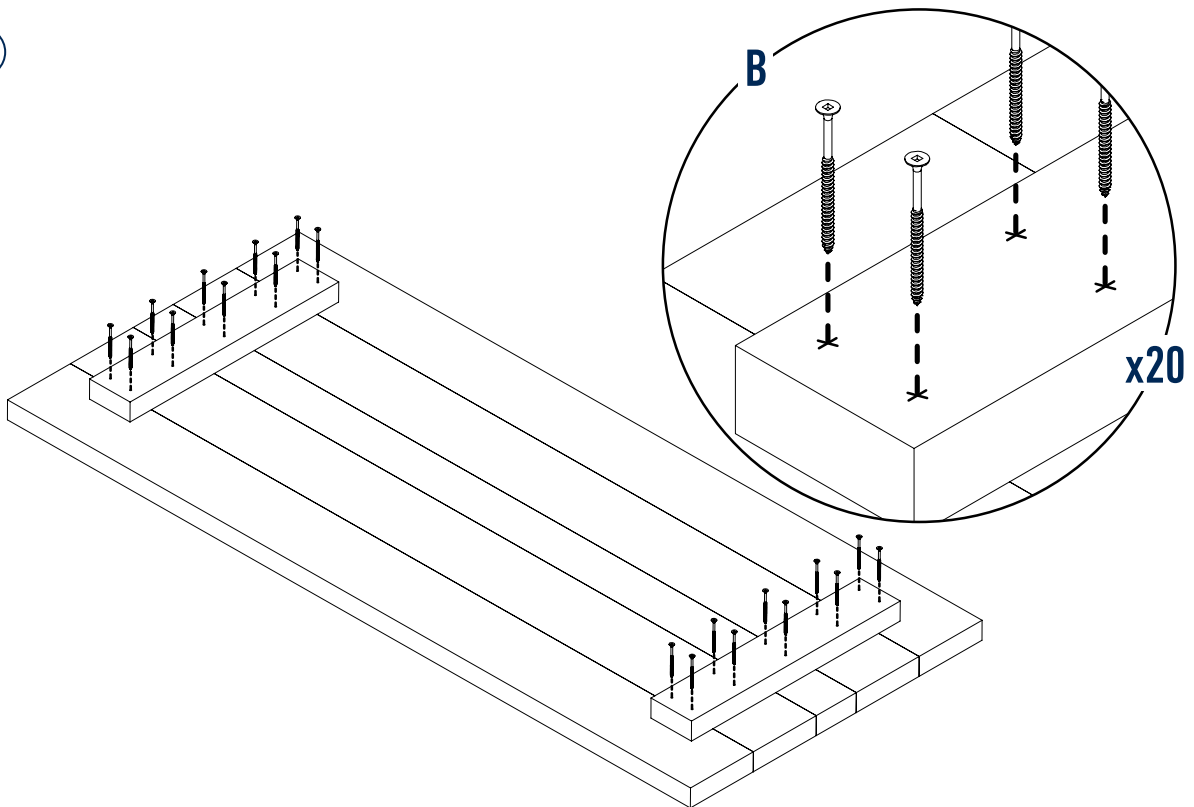


1

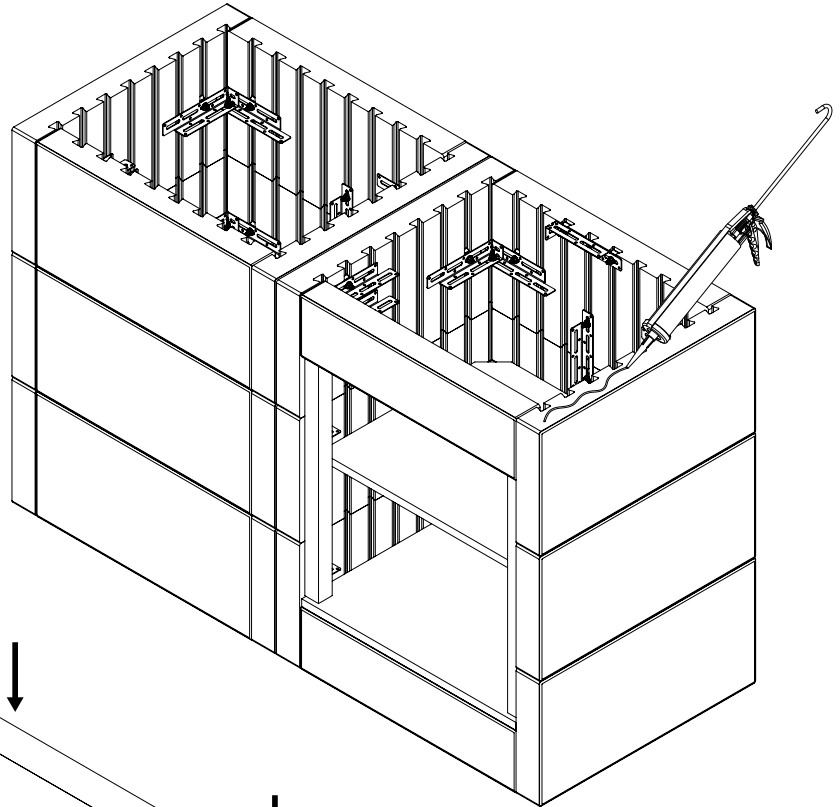


Center 2" x 4" between sides when constructing top

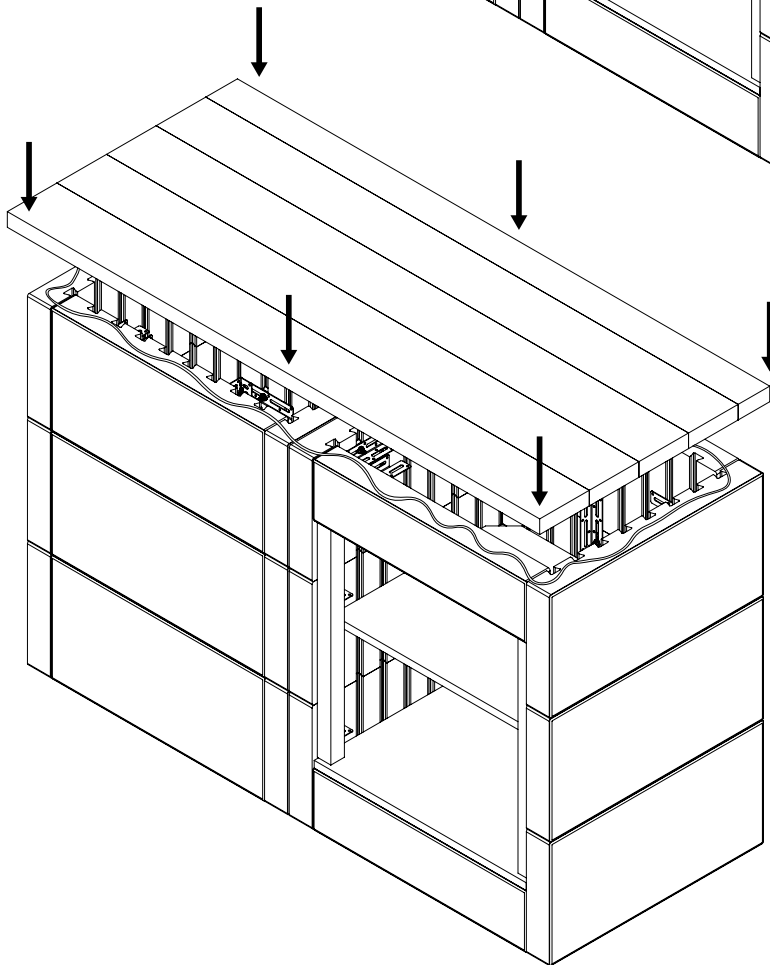
2



3



4





5

