



DESIGNFORMS™

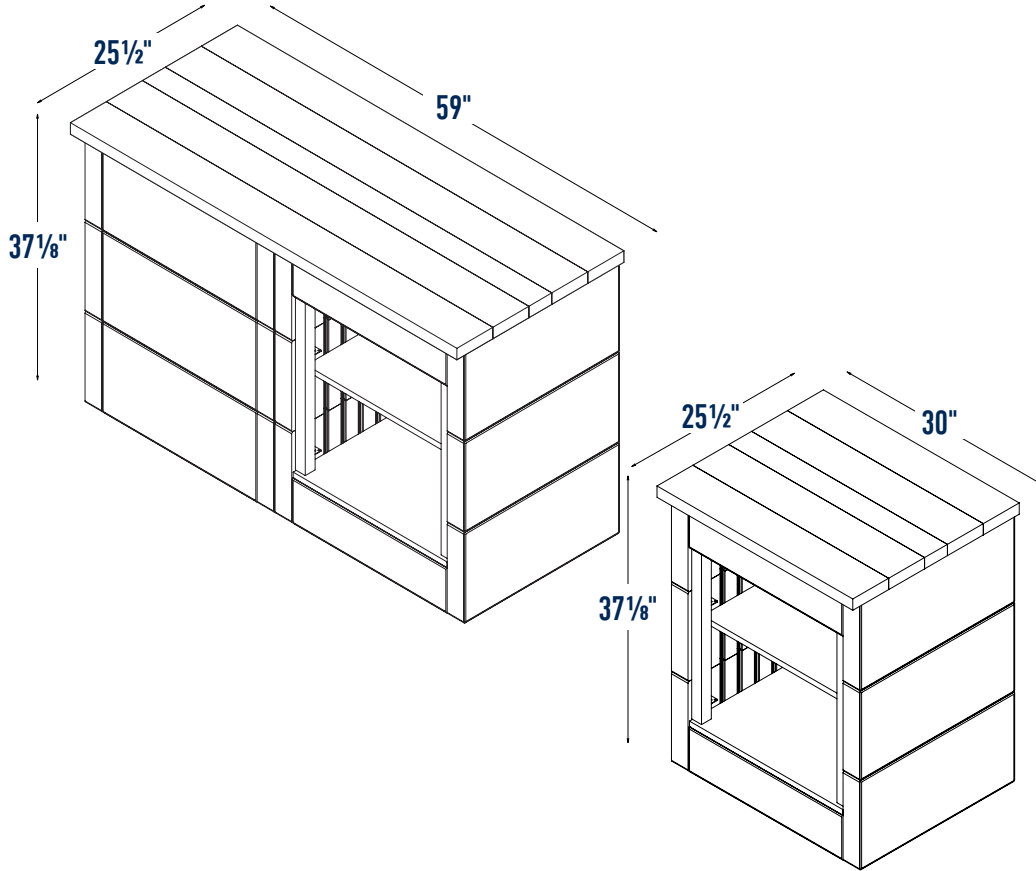


**BBQ SURROUND COMBO –
COUNTER COMBO A & 1 SHELVING UNIT**

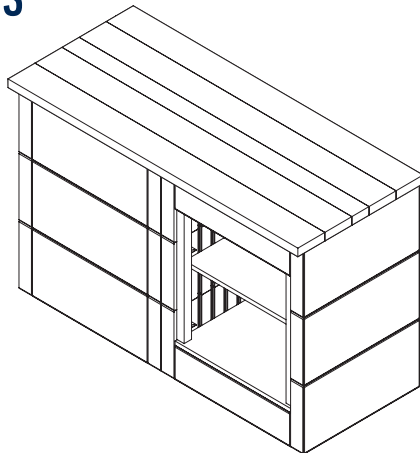


DESIGNFORMS™

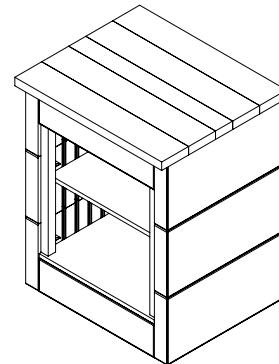
BBQ SURROUND COMBO - COUNTER COMBO A & 1 SHELVING UNIT



COMPONENTS

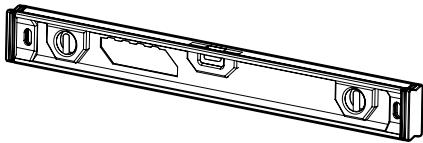


**Counter Combo A -
1 Shelving Unit & 1 Solid Unit (x1)**

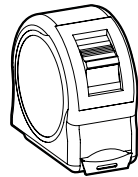


**Single Counter -
Shelving Unit (x1)**

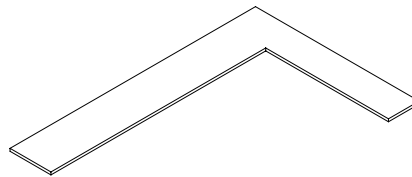
REQUIRED TOOLS



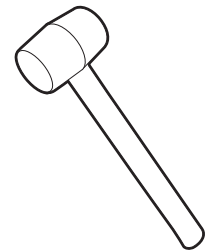
LEVEL



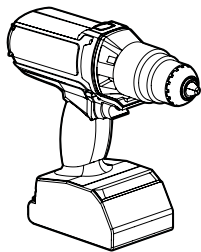
MEASURING TAPE



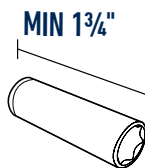
CARPENTER SQUARE



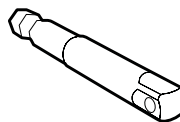
RUBBER MALLET



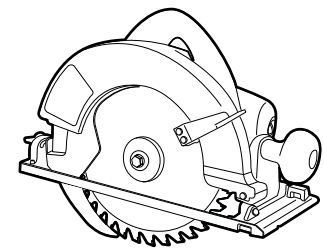
DRILL



**DEEP HEX SOCKET
7/16" WITH 1/4" DRIVE**



**SOCKET ADAPTOR
1/4" HEX SHANK TO 1/4" DRIVE**

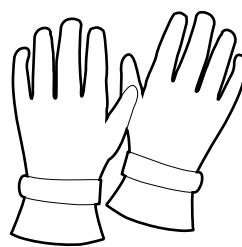


SKILL SAW

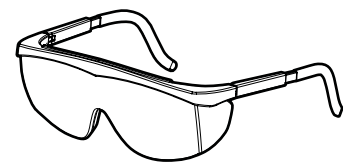
SAFETY EQUIPMENT



SAFETY BOOTS



GLOVES

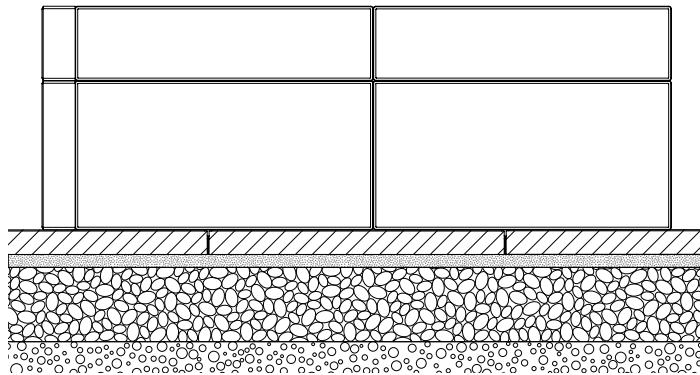


SAFETY GLASSES

BASE PREPARATION

ALWAYS LEVEL GROUND BEFORE INSTALLATION

ON NEW OR EXISTING PATIO



SLAB OR PAVER



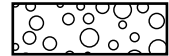
BEDDING SAND 1"



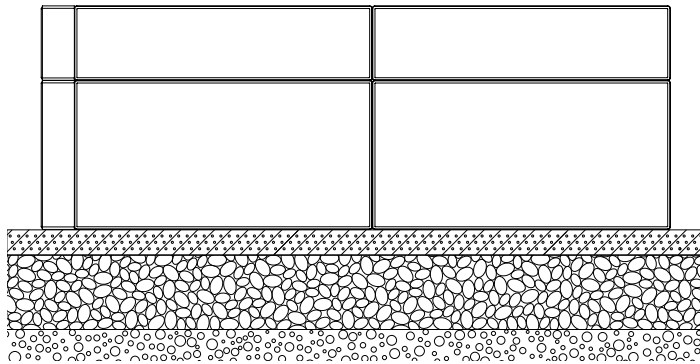
COMPACTED AGGREGATES 6" - 8"



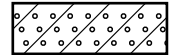
SOIL



ON POURED CONCRETE



REINFORCED POURED CONCRETE FOUNDATION 2"



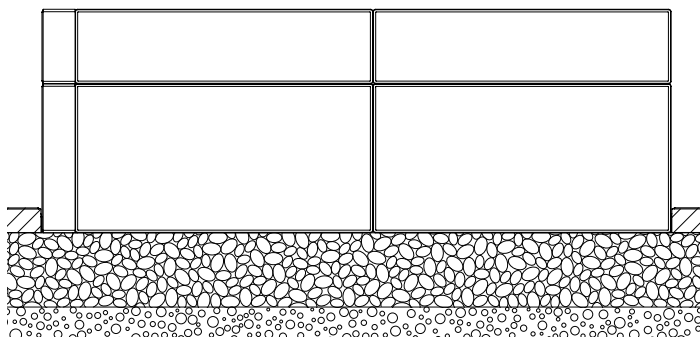
COMPACTED AGGREGATES 6" - 8"



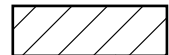
SOIL



ON COMPACTED FOUNDATION



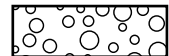
SLAB OR PAVER



COMPACTED AGGREGATES 6" - 8"



SOIL





TIPS & TRICKS

READ ALL INSTRUCTIONS BEFORE ASSEMBLY

PREBUILD:

- Prebuild all hardware prior to starting build.
- When assembling hardware SNAP the bolt into place with the plastic sliders. Pressing down on something flat and hard will help. (Fig. A)
- Do not over hand tighten the slider/bolt piece and the nut on the completed brackets. They should be loosely attached so they slide into the channels on the panels. Leave a space of ¼ in. (Fig. B)

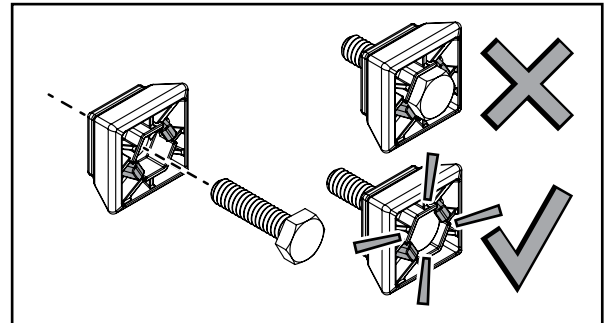


Fig. A

INSTALL:

- Always start in the corner when starting a build. (Fig. C)
- Set the drill clutch (torque) at a low level to deliver a torque range of 50-65lbs per inch. Refer to your drill manual for torque adjustment instructions.
- Use a rubber mallet to assist with moving/aligning/adjusting panel placement during assembly.

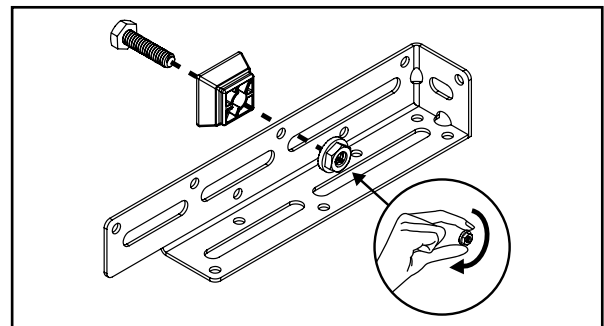


Fig. B

WHEN BUILDING WOODEN COMPONENTS:

- Do not exceed prescribed length. Exact measurements are required for proper assembly.
- Ensure your cuts are straight.
- Do not over tighten the screws into the wood - this can cause buckling.
- Pre-drill holes for 45° corner assemblies.
- Use cedar or pressure treated wood for outdoor use.
- Seal wooden components for prolonged use.

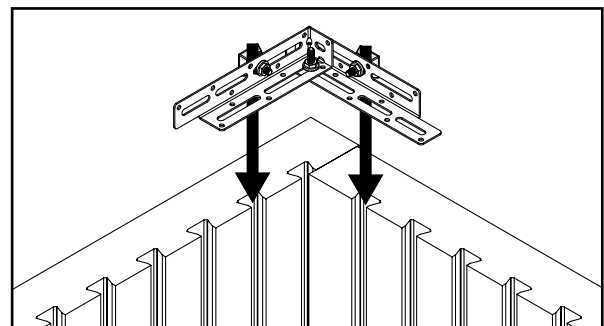


Fig. C

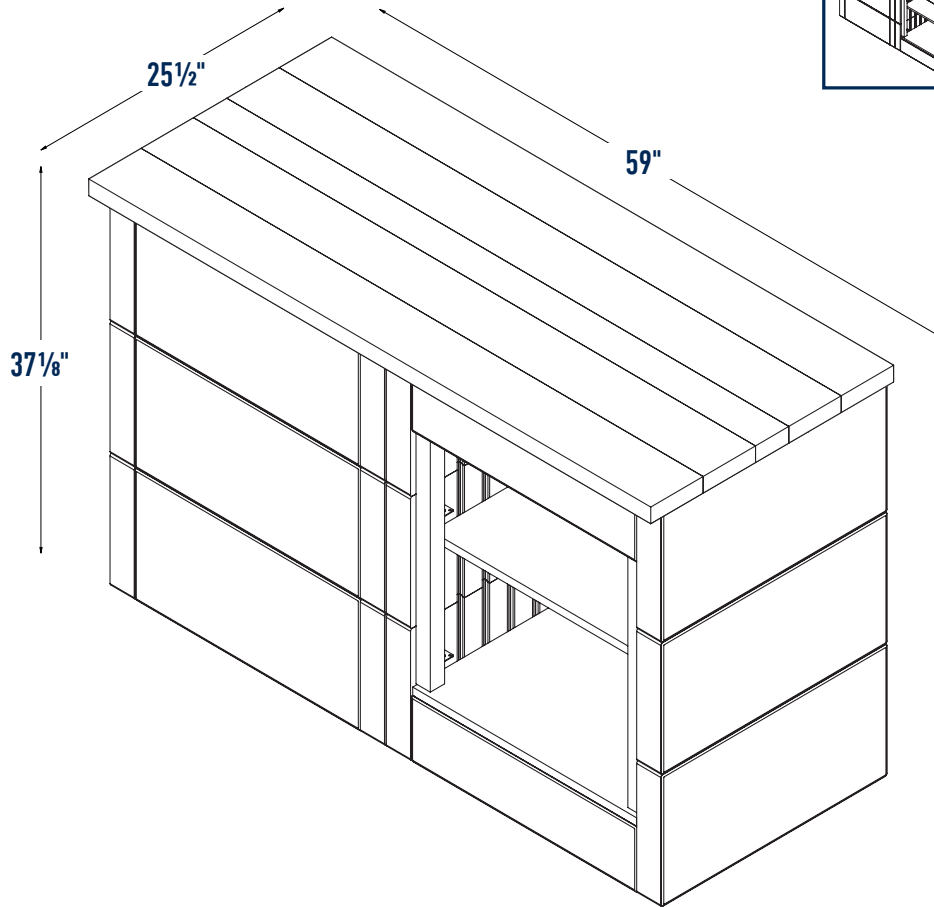
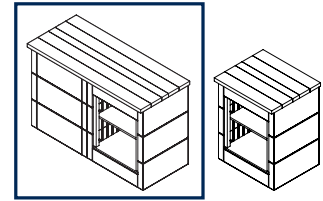
WHEN BUILDING PLANTERS:

- Line the inside of the planters or garden beds with a geotextile fabric to help with water management.



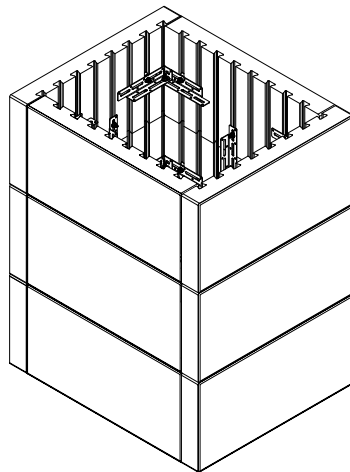
DESIGNFORMS™

COUNTER COMBO A - 1 SHELVING UNIT & 1 SOLID UNIT

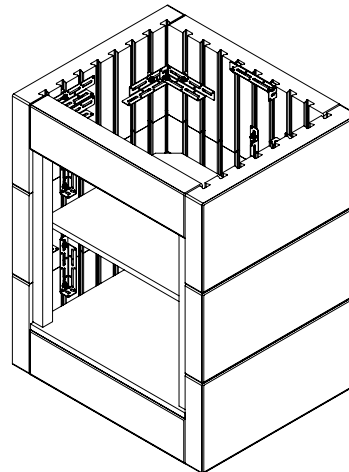


COMPONENTS

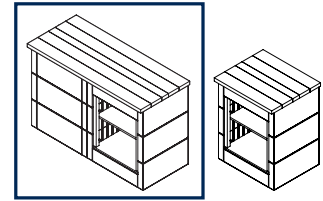
Build side by side.
Wood top construction
instructions follow in
this guide.

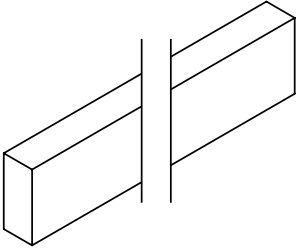
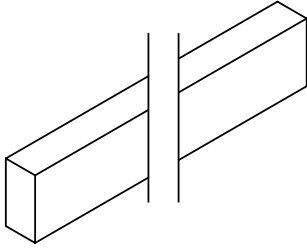
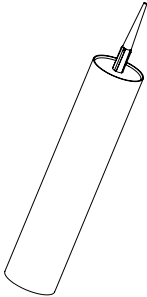
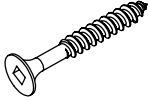



Single Counter (x1)



Single Shelf (x1)

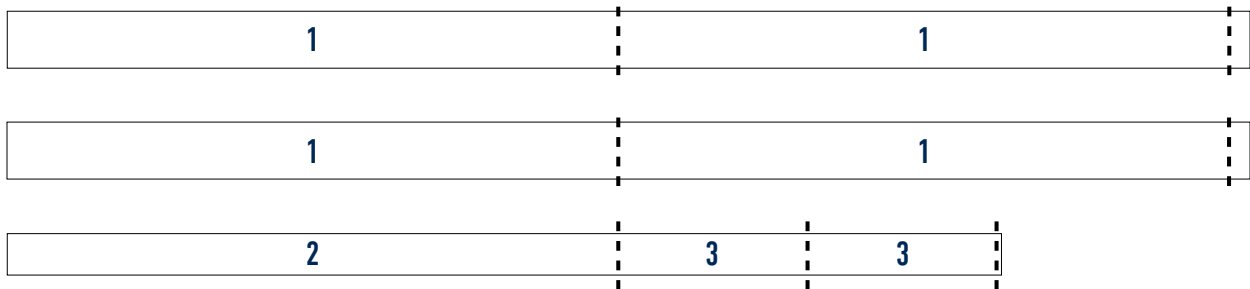


<p>2" x 6" x 10' PRESSURE TREATED WOOD</p> <p>x2</p> 	<p>2" x 4" x 8' PRESSURE TREATED WOOD</p> <p>x1</p> 	<p>OUTDOOR SILICONE</p> <p>x1</p> 	<p>A #8 1¼" DECK SCREW</p> <p>x10</p>  <p>B #8 2½" DECK SCREW</p> <p>x20</p> 
--	---	---	---

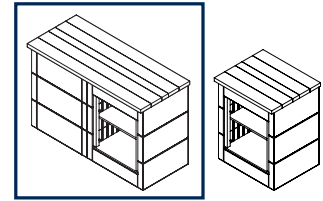
WOOD CUTS

Countertop only.

1 = 59"
2 = 59"
3 = 18¼"



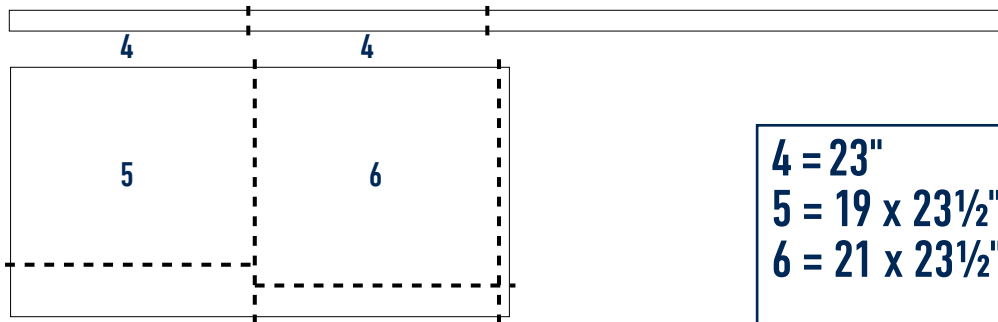
**COUNTER COMBO A -
1 SHELVING UNIT & 1 SOLID UNIT**



<p>2" x 2" x 8' PRESSURE TREATED WOOD</p>	<p>x1</p>	<p>2' x 4' x 3/4" PLYWOOD</p>	<p>x1</p>

WOOD CUTS

Shelves only.

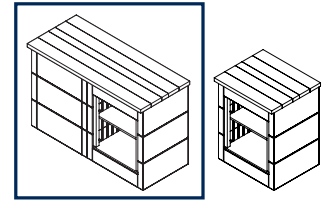


- 4 = 23"**
- 5 = 19 x 23 1/2"**
- 6 = 21 x 23 1/2"**



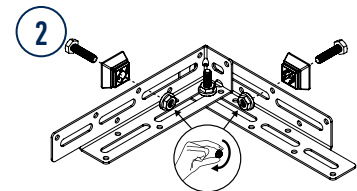
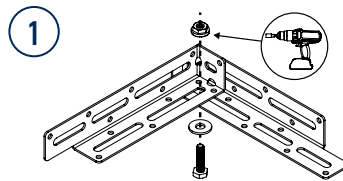
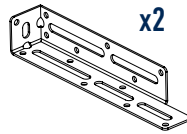
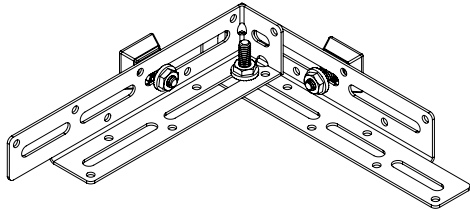
DESIGNFORMS™

COUNTER COMBO A - 1 SHELVING UNIT & 1 SOLID UNIT



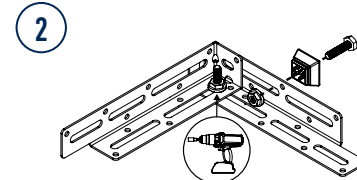
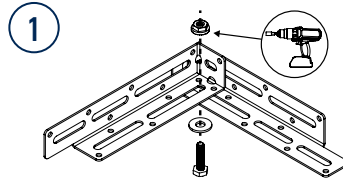
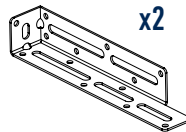
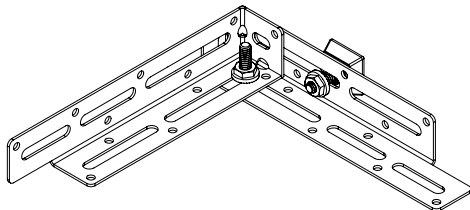
BRACKET A

x6



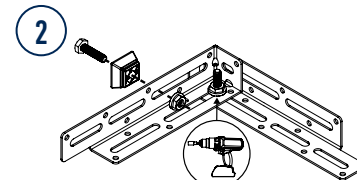
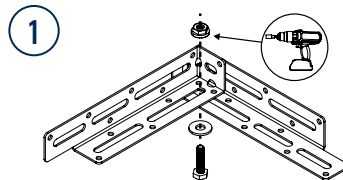
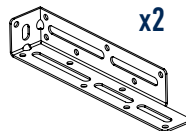
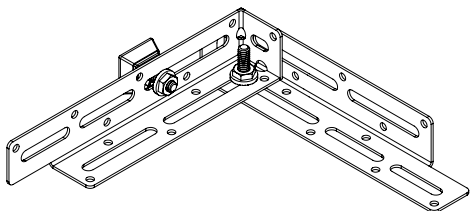
BRACKET A1

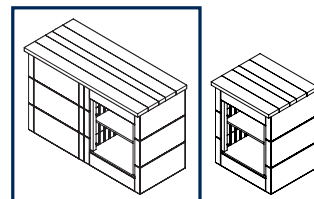
x3



BRACKET A2

x3





BRACKET C	x8	x1	x2	x2	x2

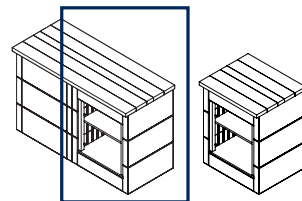
BRACKET C1	x1	x1	x2	x2	x2

ASSEMBLY I	x6	x1	x1	J	x6

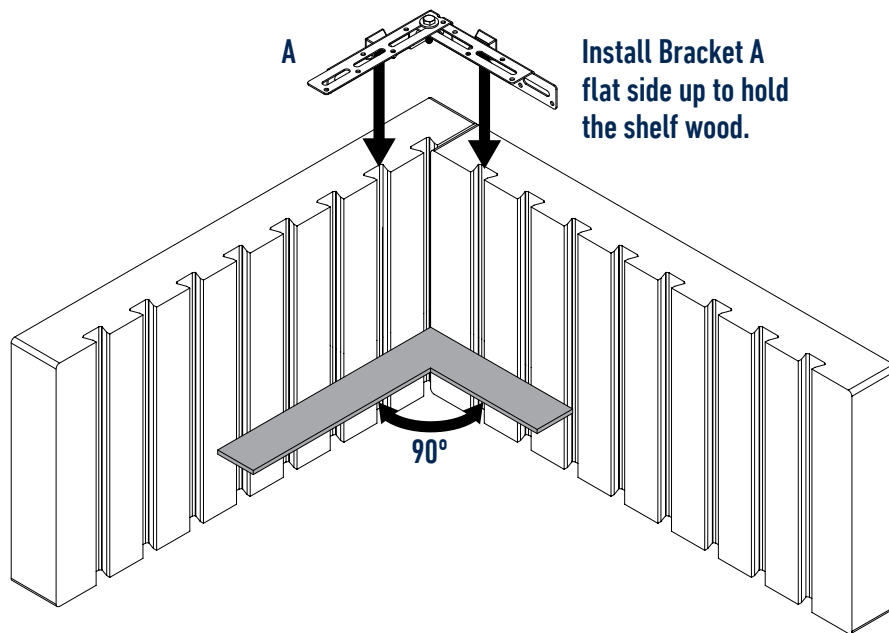


DESIGNFORMS™

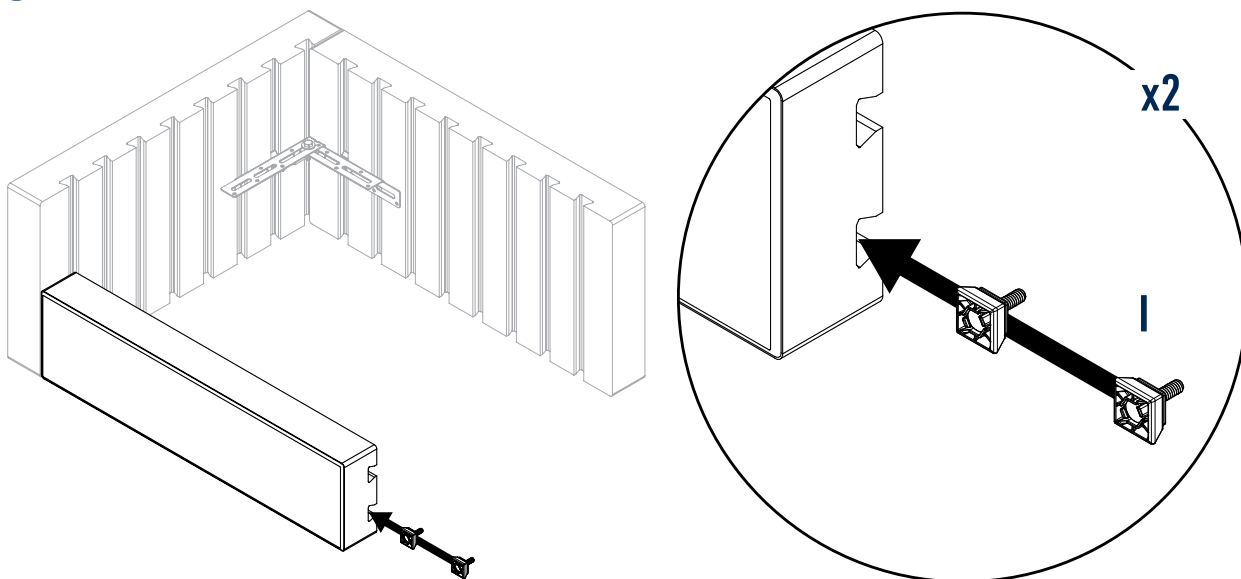
COUNTER COMBO A - 1 SHELVING UNIT & 1 SOLID UNIT



1



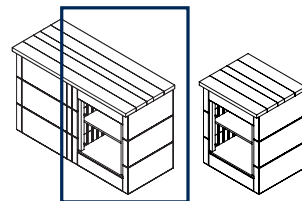
2



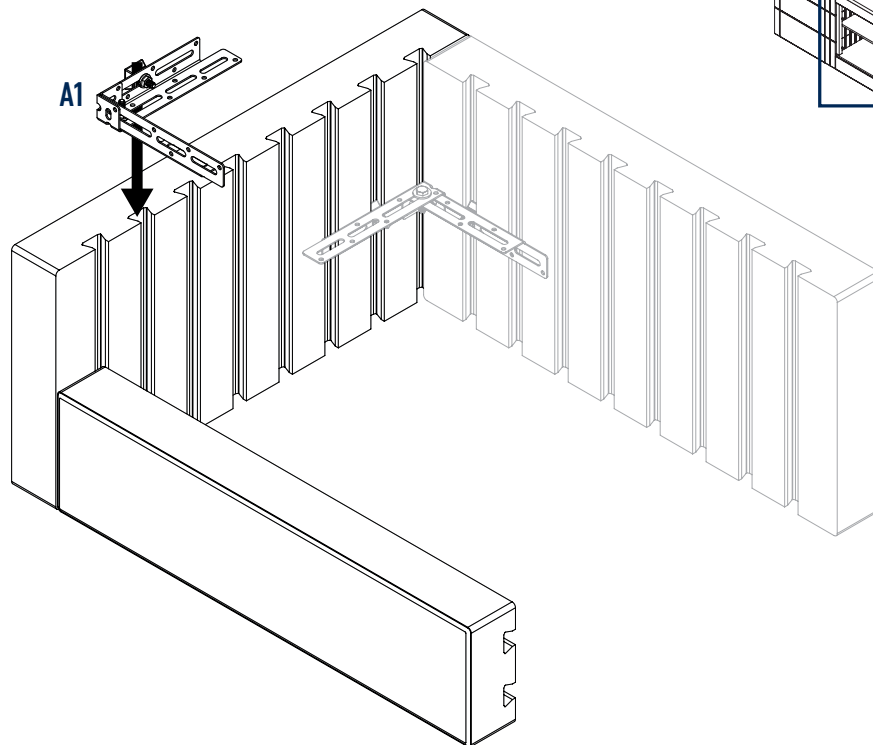


DESIGNFORMS™

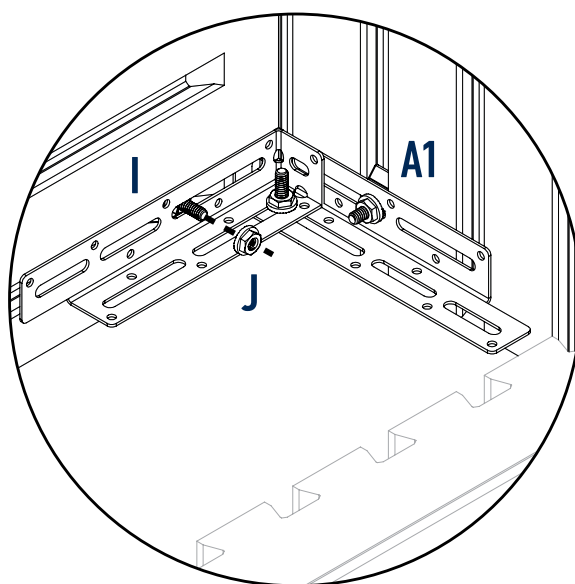
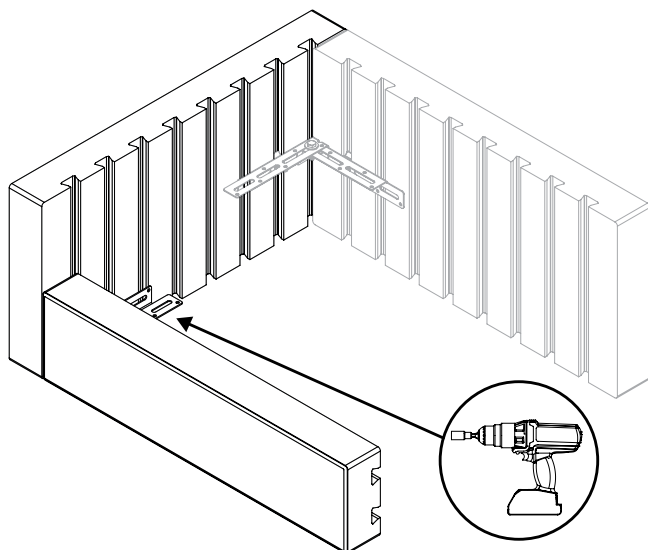
COUNTER COMBO A - 1 SHELVING UNIT & 1 SOLID UNIT

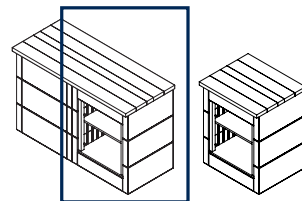


3

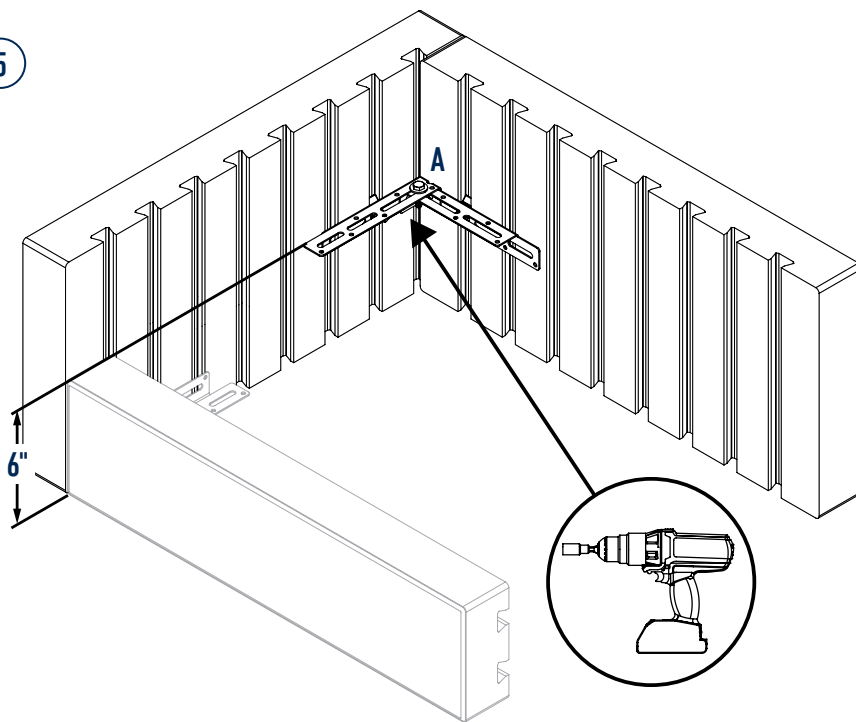


4

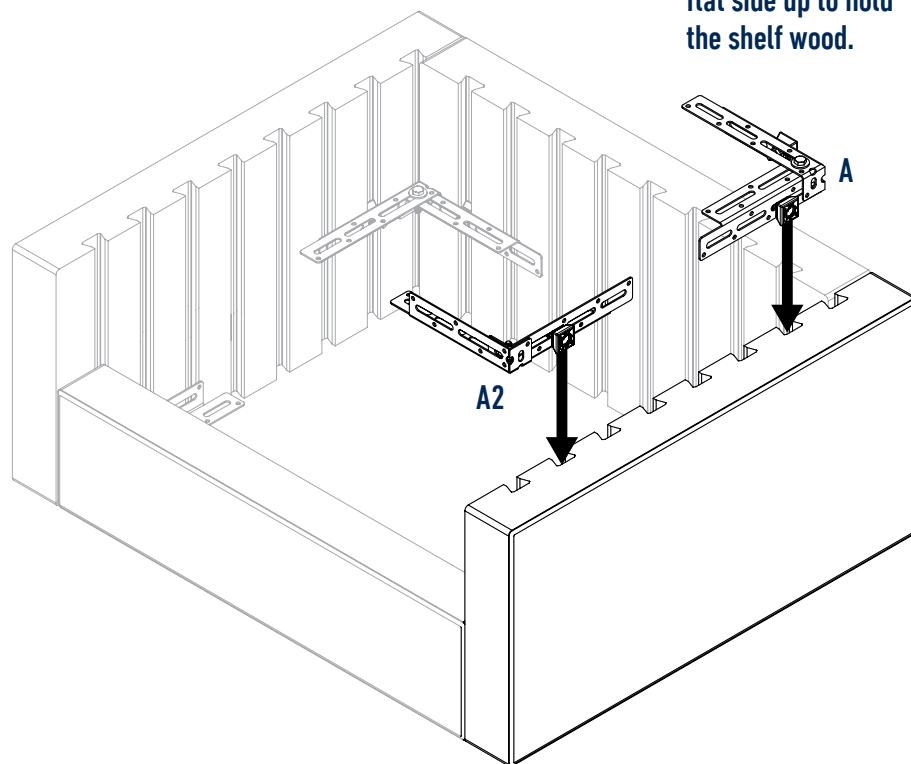




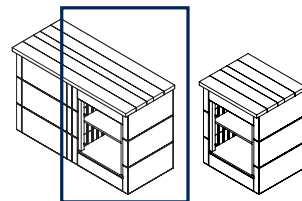
5



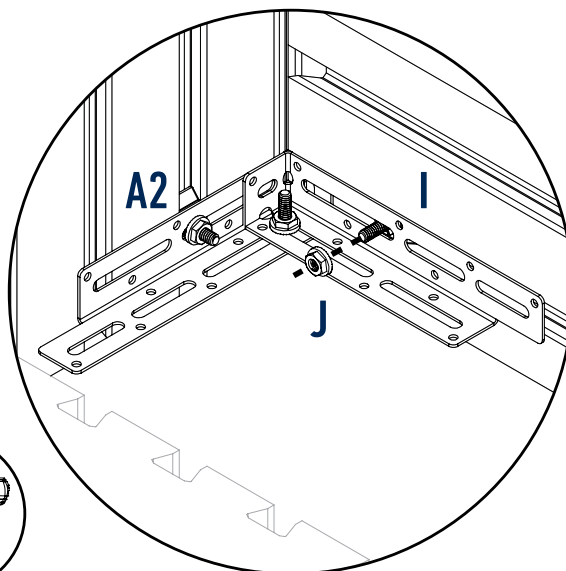
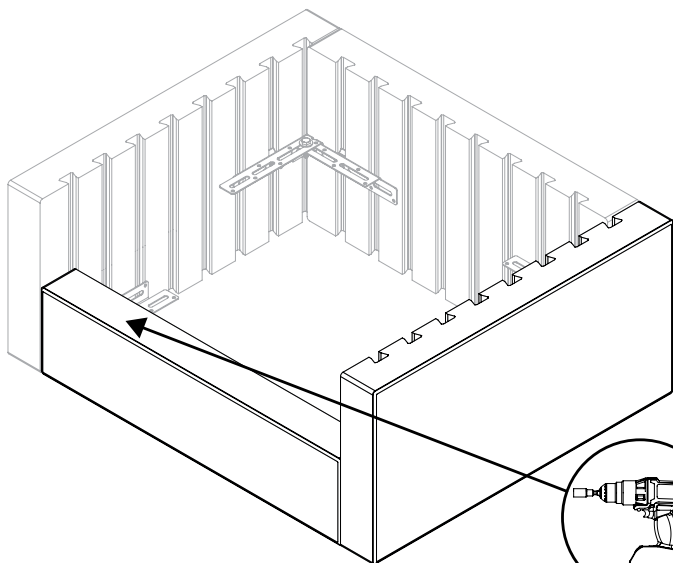
6



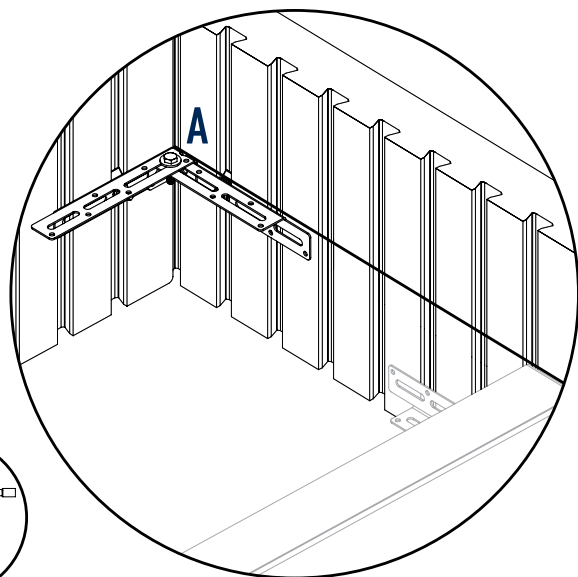
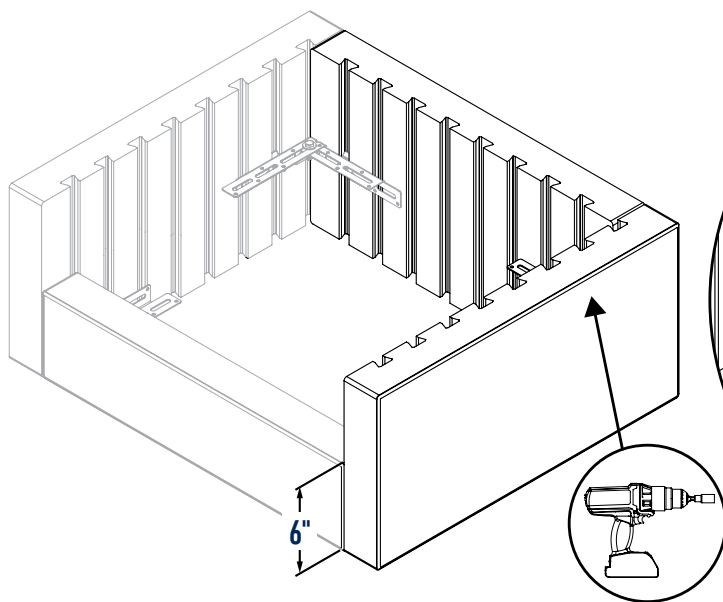
**Install Bracket A
flat side up to hold
the shelf wood.**

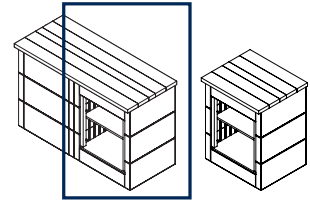


7

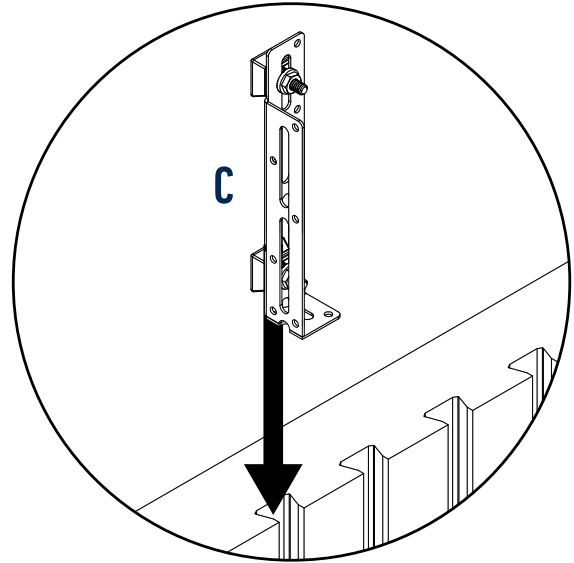
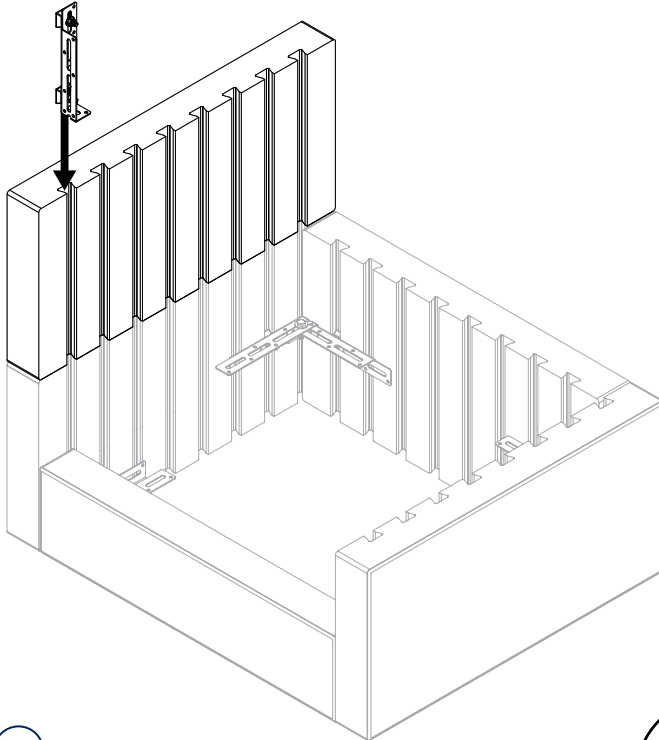


8



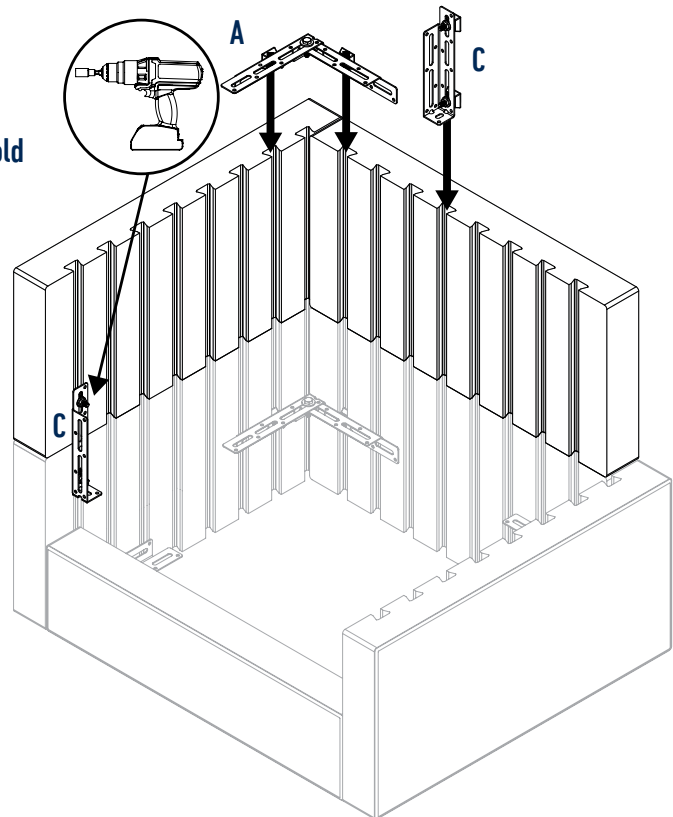


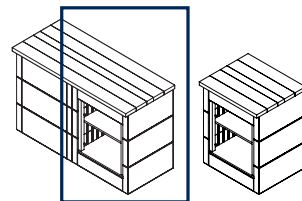
9



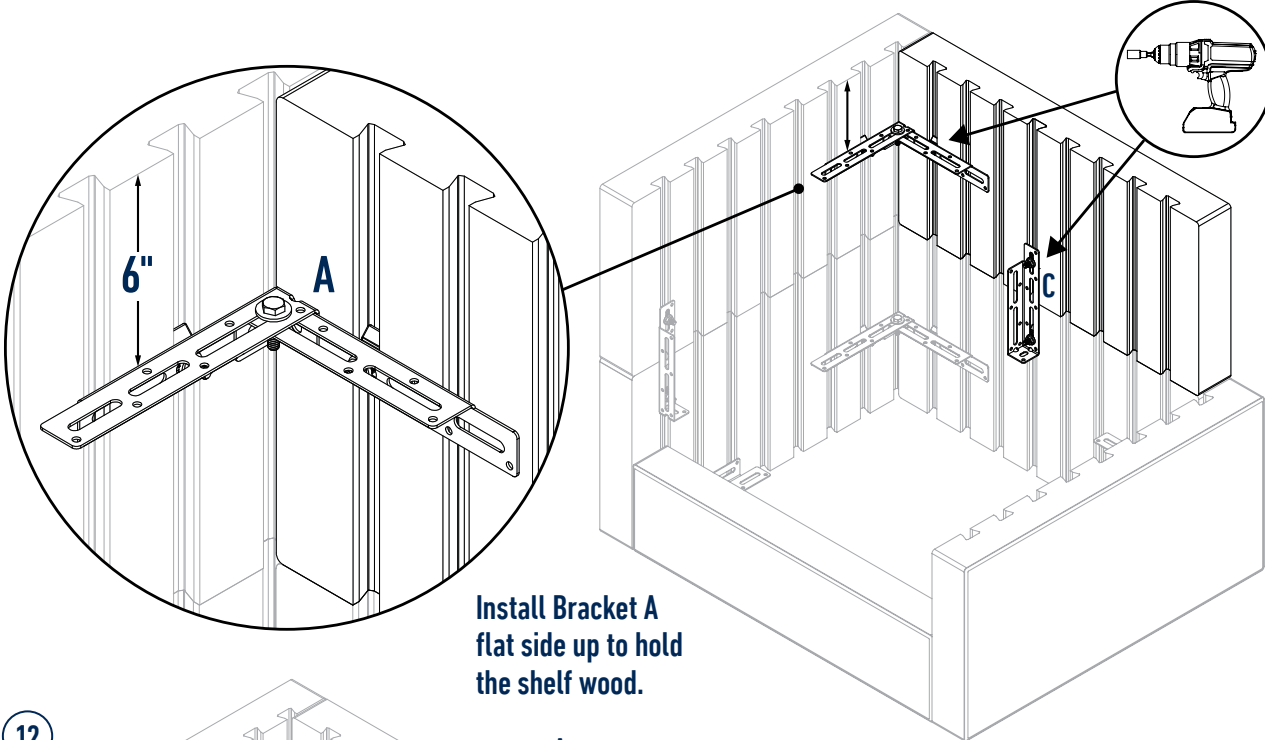
10

Install Bracket A
flat side up to hold
the shelf wood.



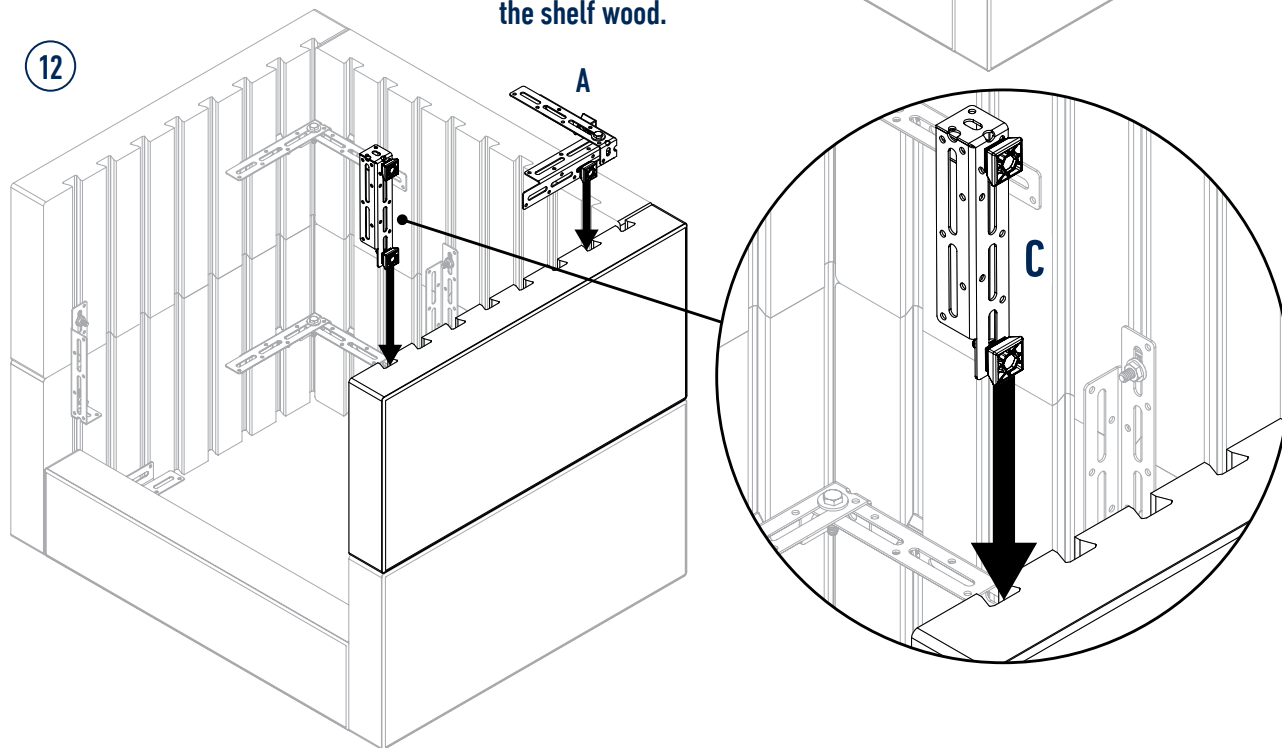


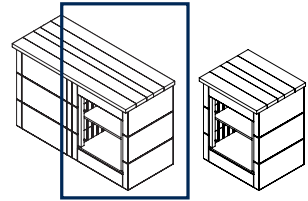
11



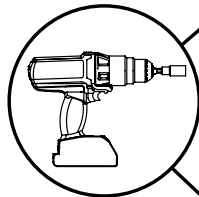
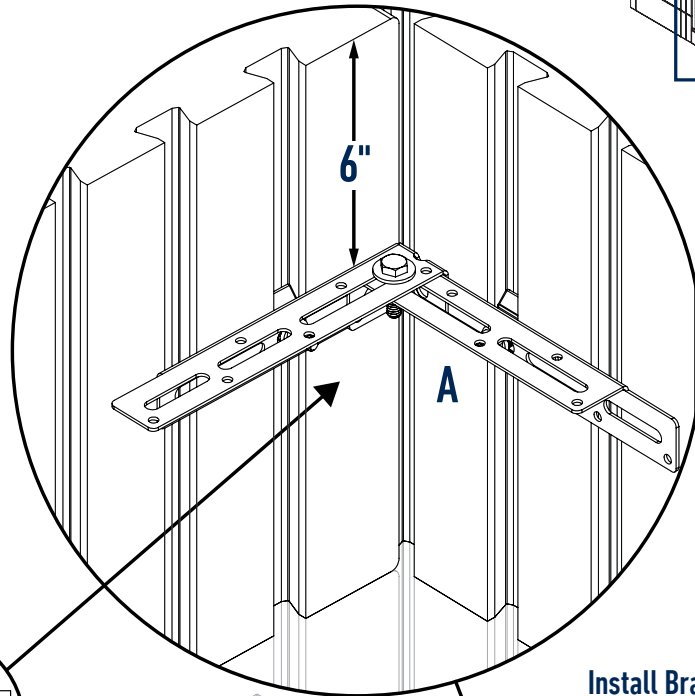
**Install Bracket A
flat side up to hold
the shelf wood.**

12

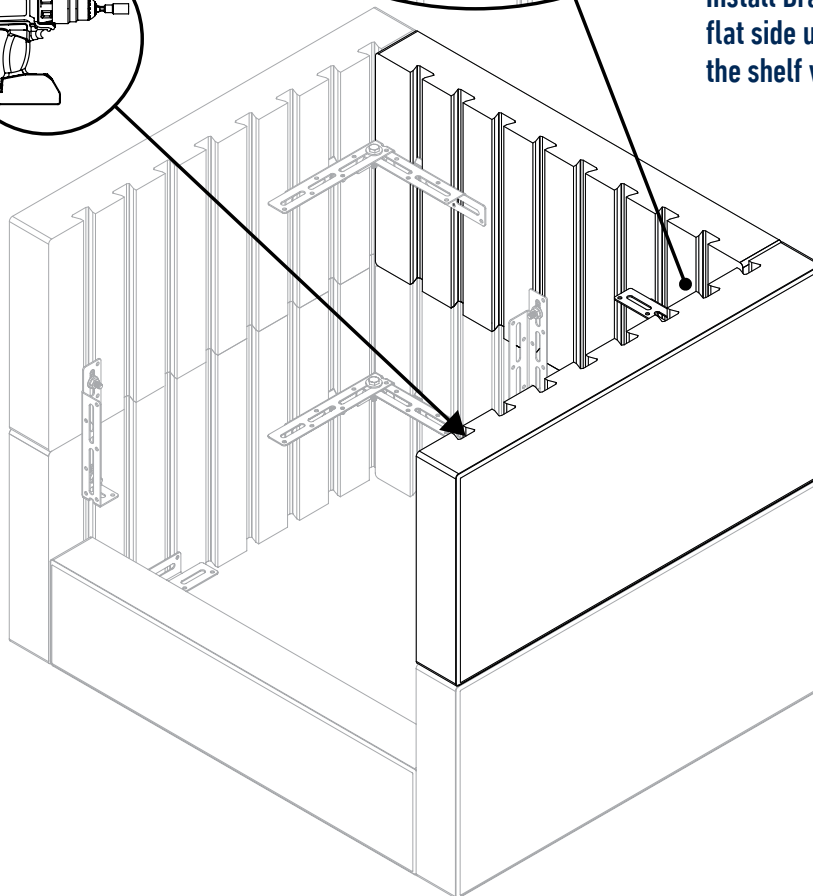




13



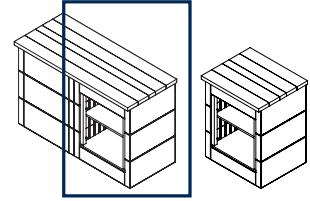
**Install Bracket A
flat side up to hold
the shelf wood.**



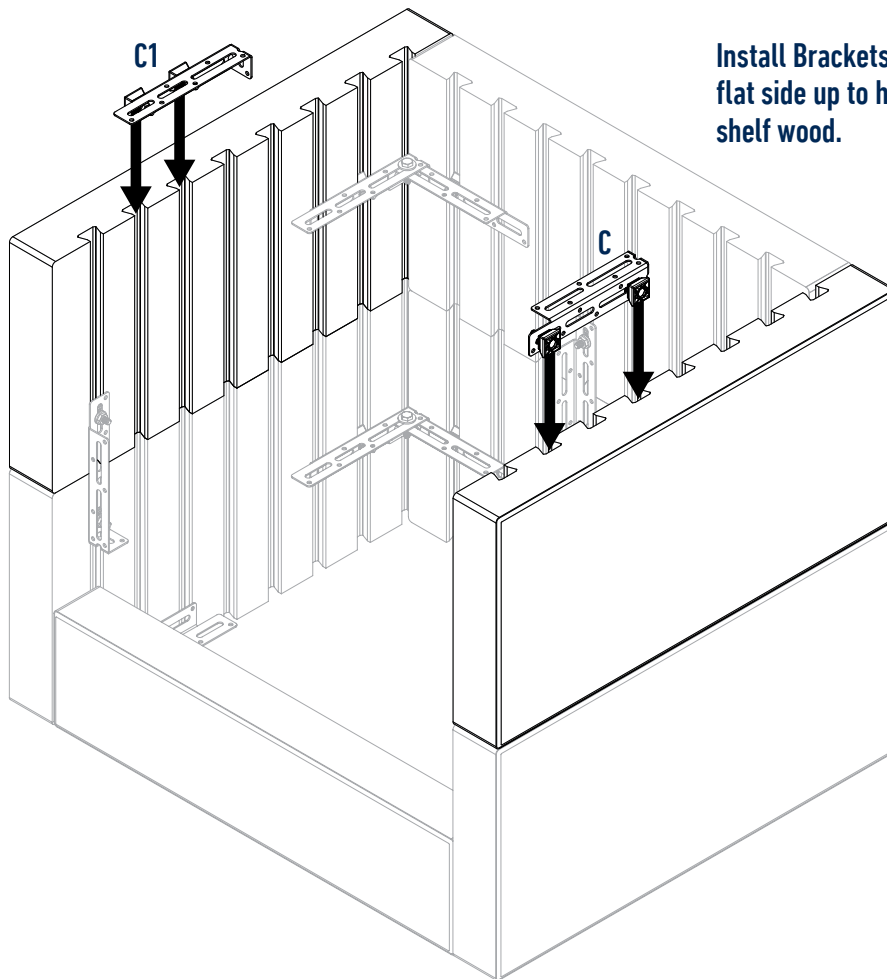


DESIGNFORMS™

COUNTER COMBO A - 1 SHELVING UNIT & 1 SOLID UNIT



14

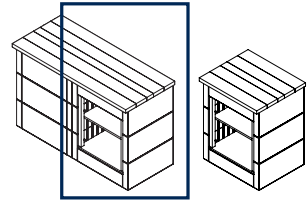


Install Brackets C and C1
flat side up to hold the
shelf wood.

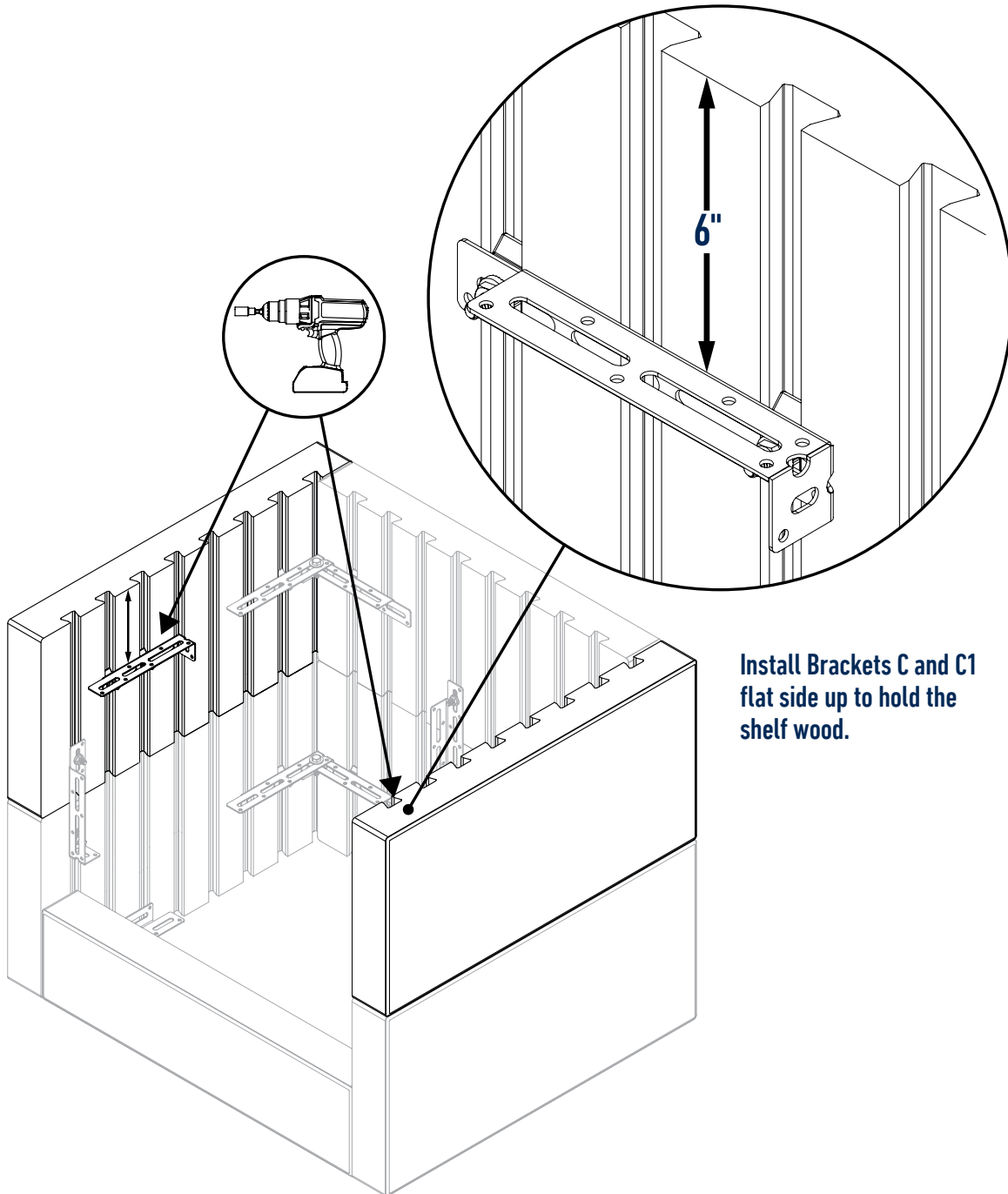


DESIGNFORMS™

COUNTER COMBO A - 1 SHELVING UNIT & 1 SOLID UNIT



15



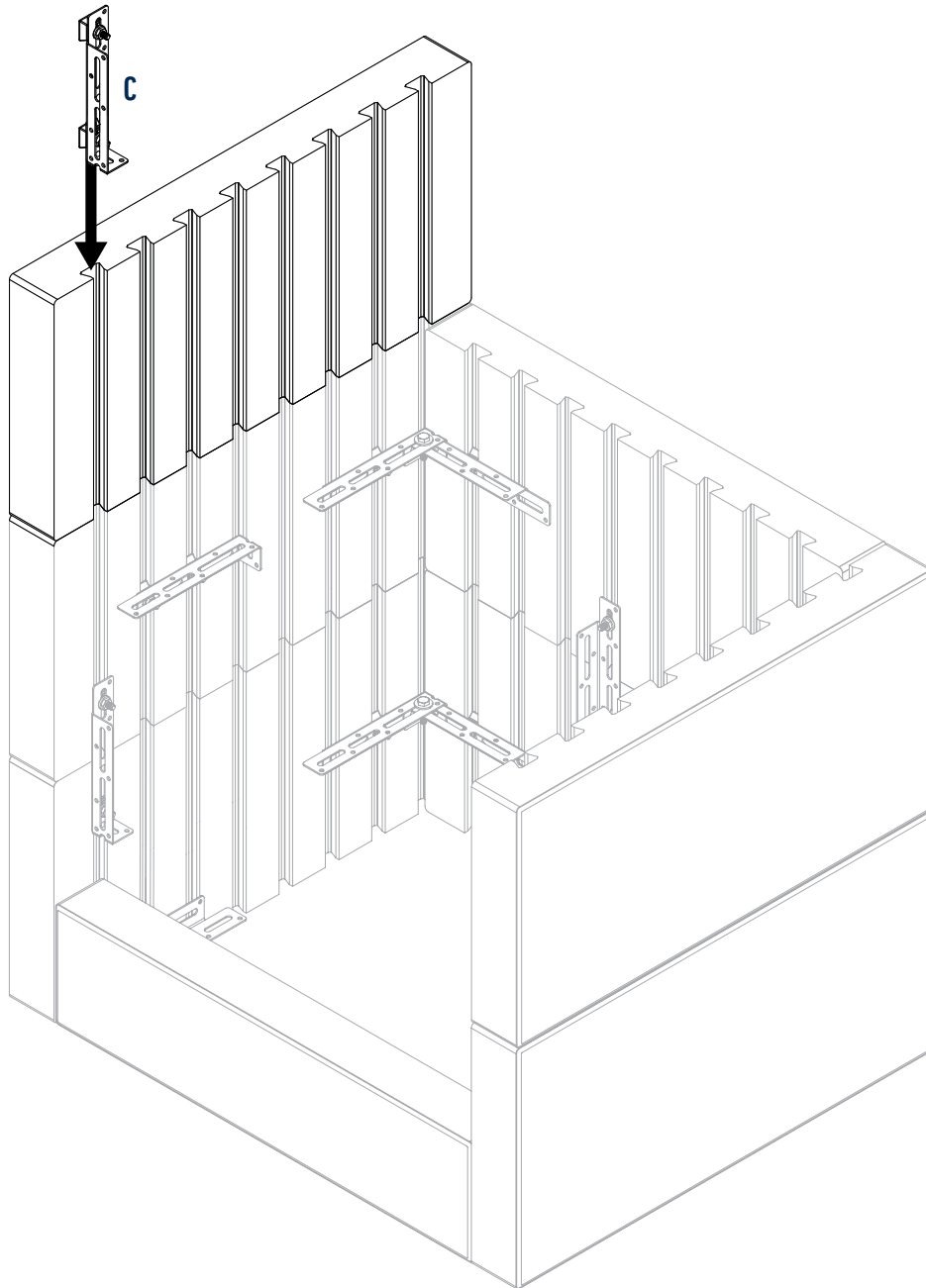
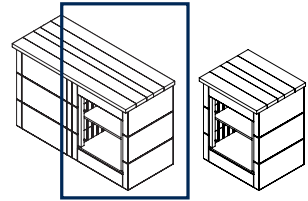
**Install Brackets C and C1
flat side up to hold the
shelf wood.**



DESIGNFORMS™

COUNTER COMBO A - 1 SHELVING UNIT & 1 SOLID UNIT

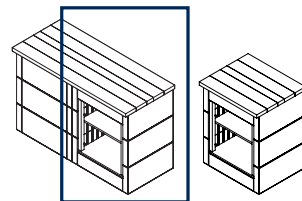
16



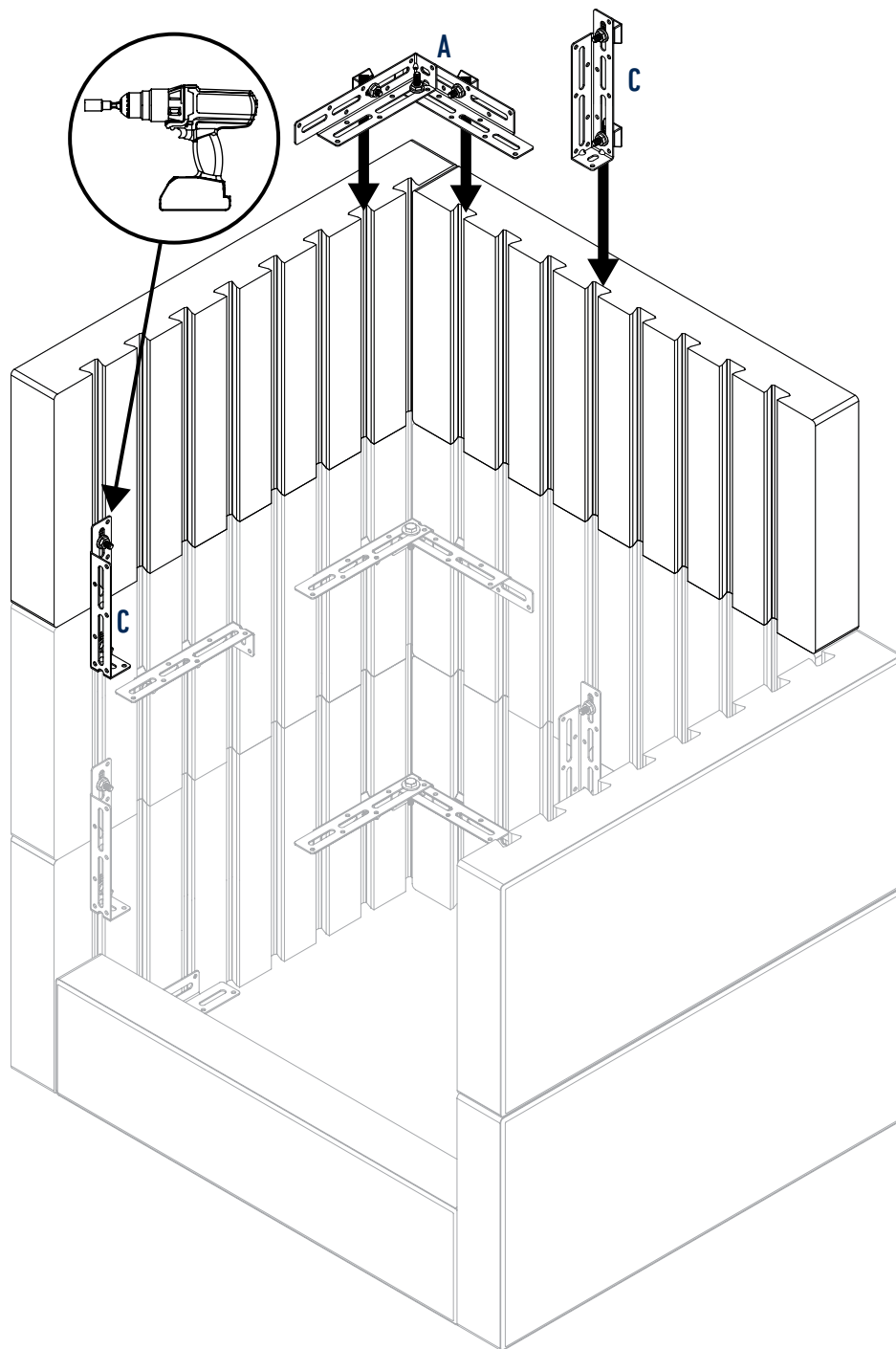


DESIGNFORMS™

COUNTER COMBO A - 1 SHELVING UNIT & 1 SOLID UNIT



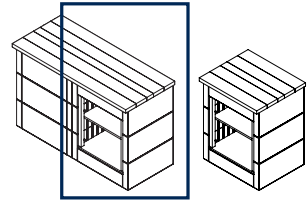
17



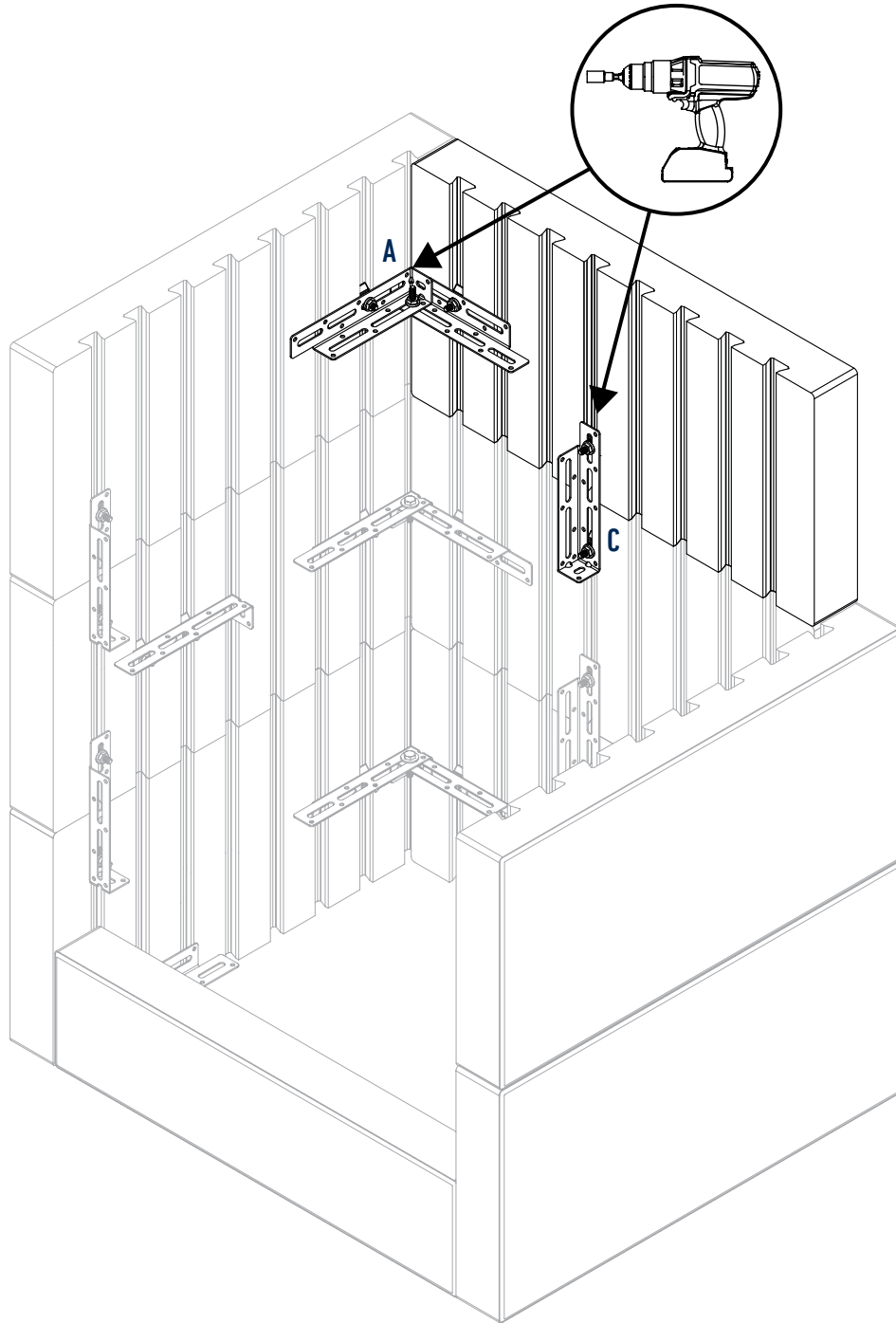


DESIGNFORMS™

COUNTER COMBO A - 1 SHELVING UNIT & 1 SOLID UNIT



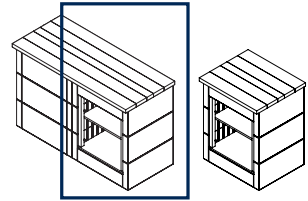
18



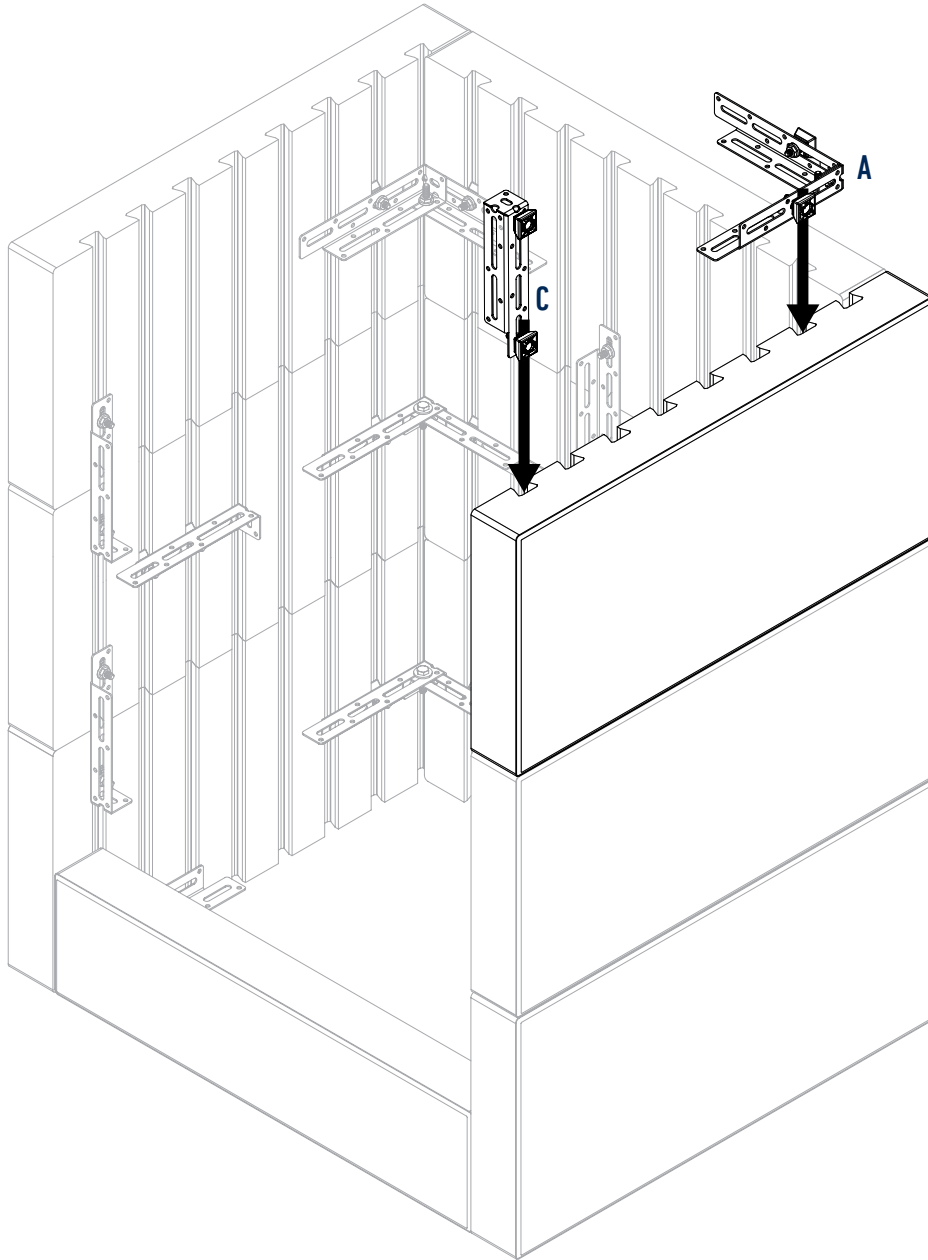


DESIGNFORMS™

COUNTER COMBO A - 1 SHELVING UNIT & 1 SOLID UNIT



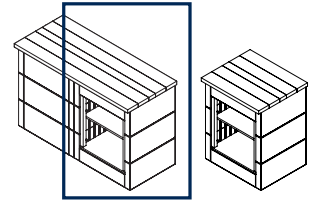
19



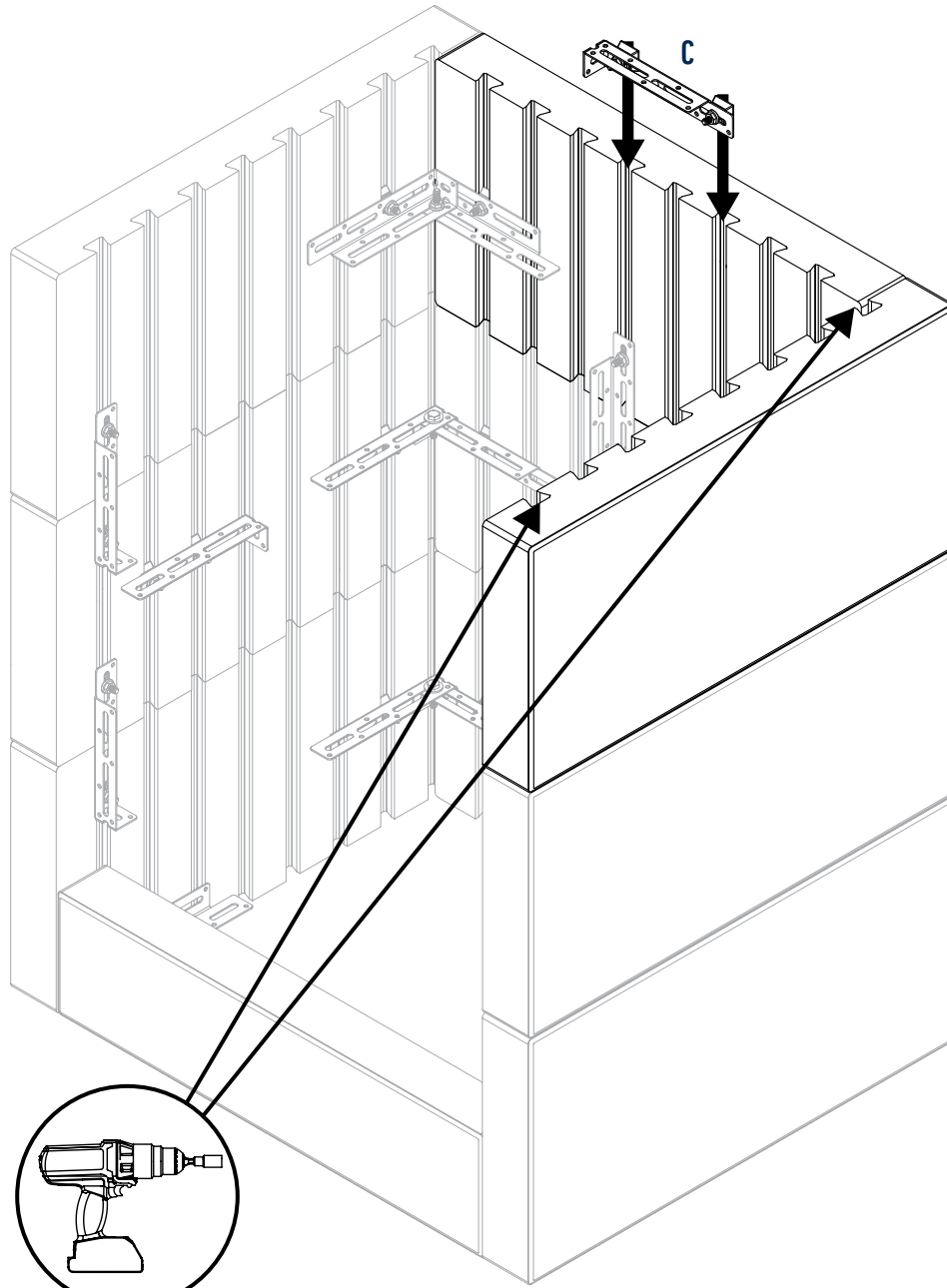


DESIGNFORMS™

COUNTER COMBO A - 1 SHELVING UNIT & 1 SOLID UNIT



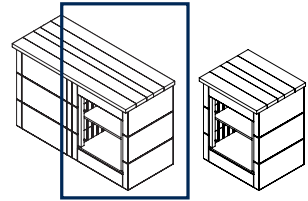
20



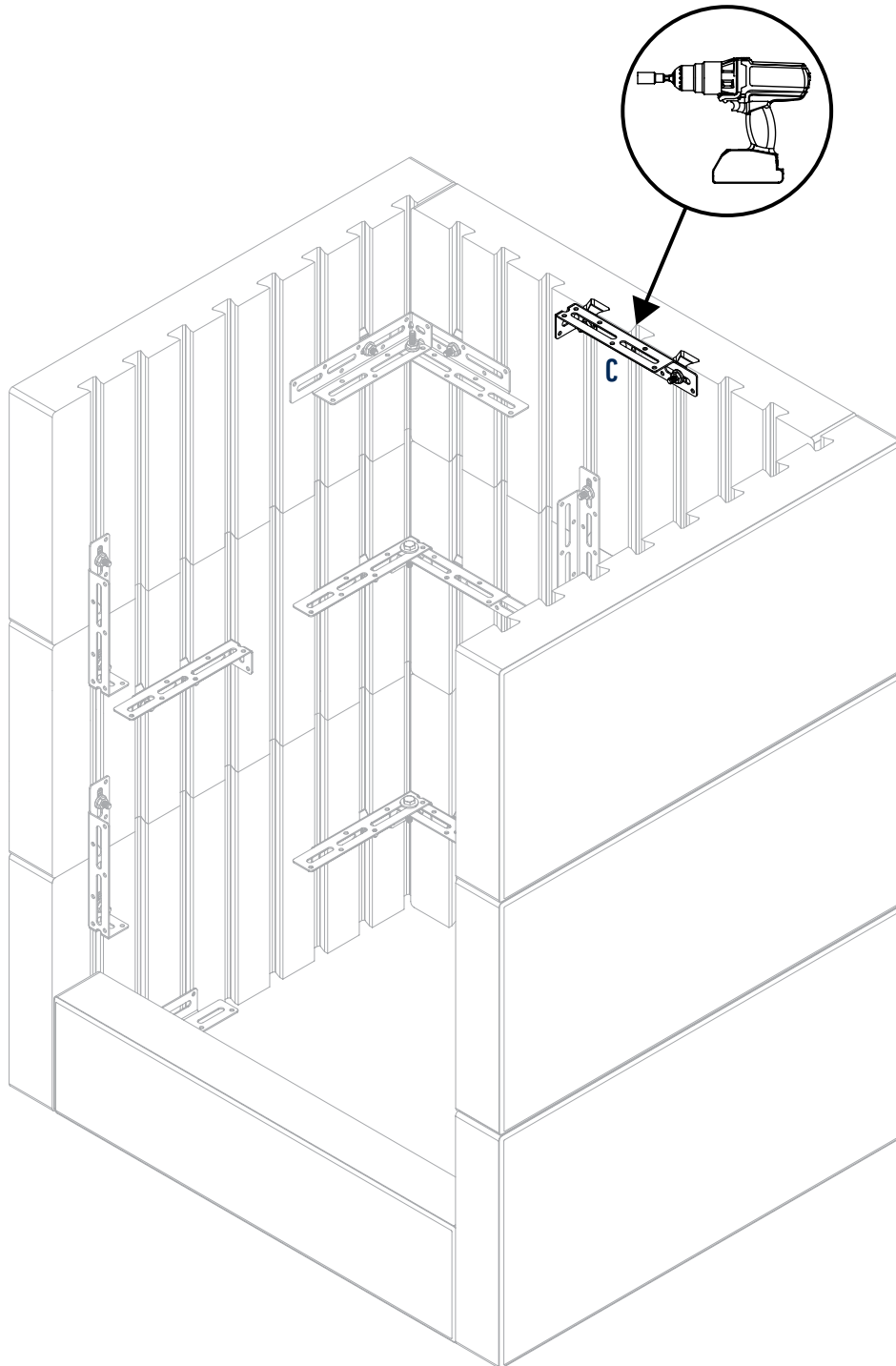


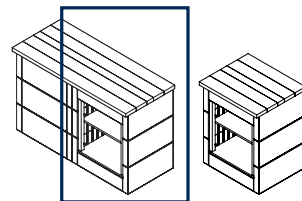
DESIGNFORMS™

COUNTER COMBO A - 1 SHELVING UNIT & 1 SOLID UNIT

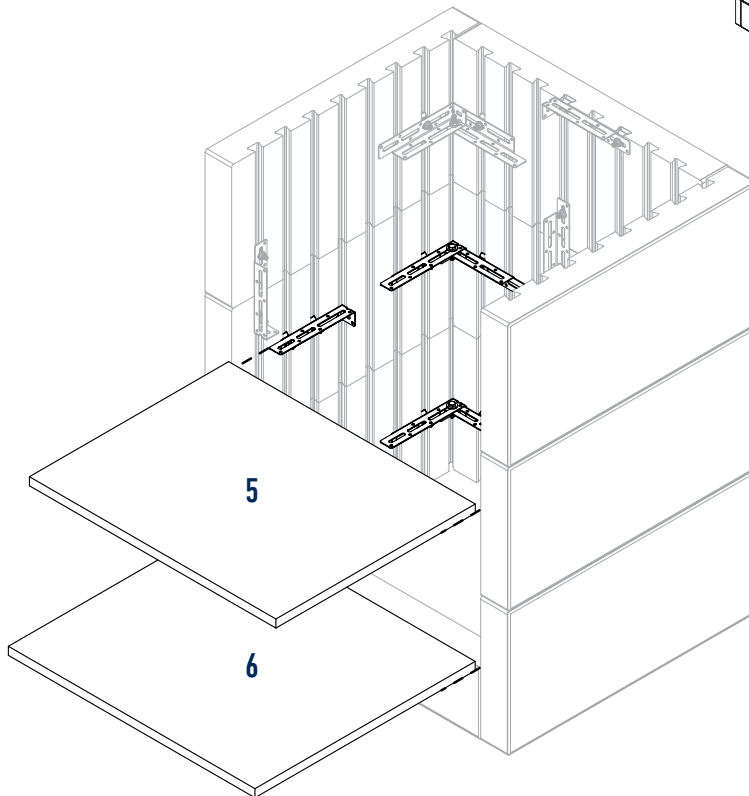


21

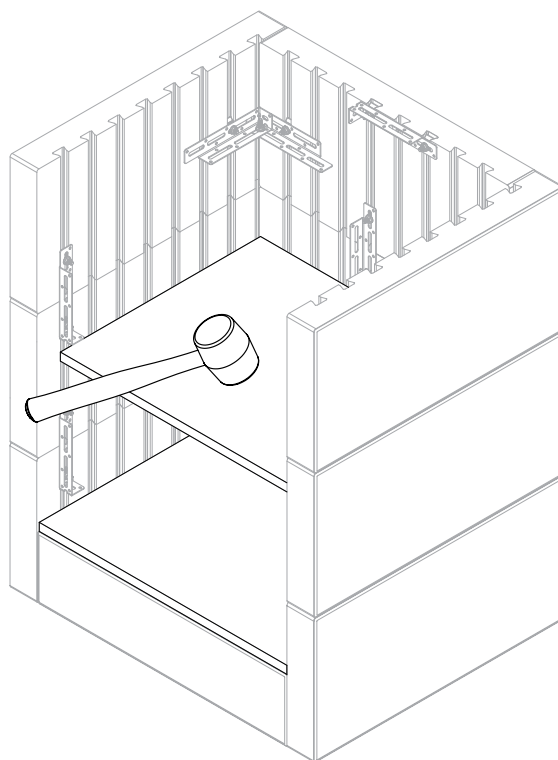




22



23

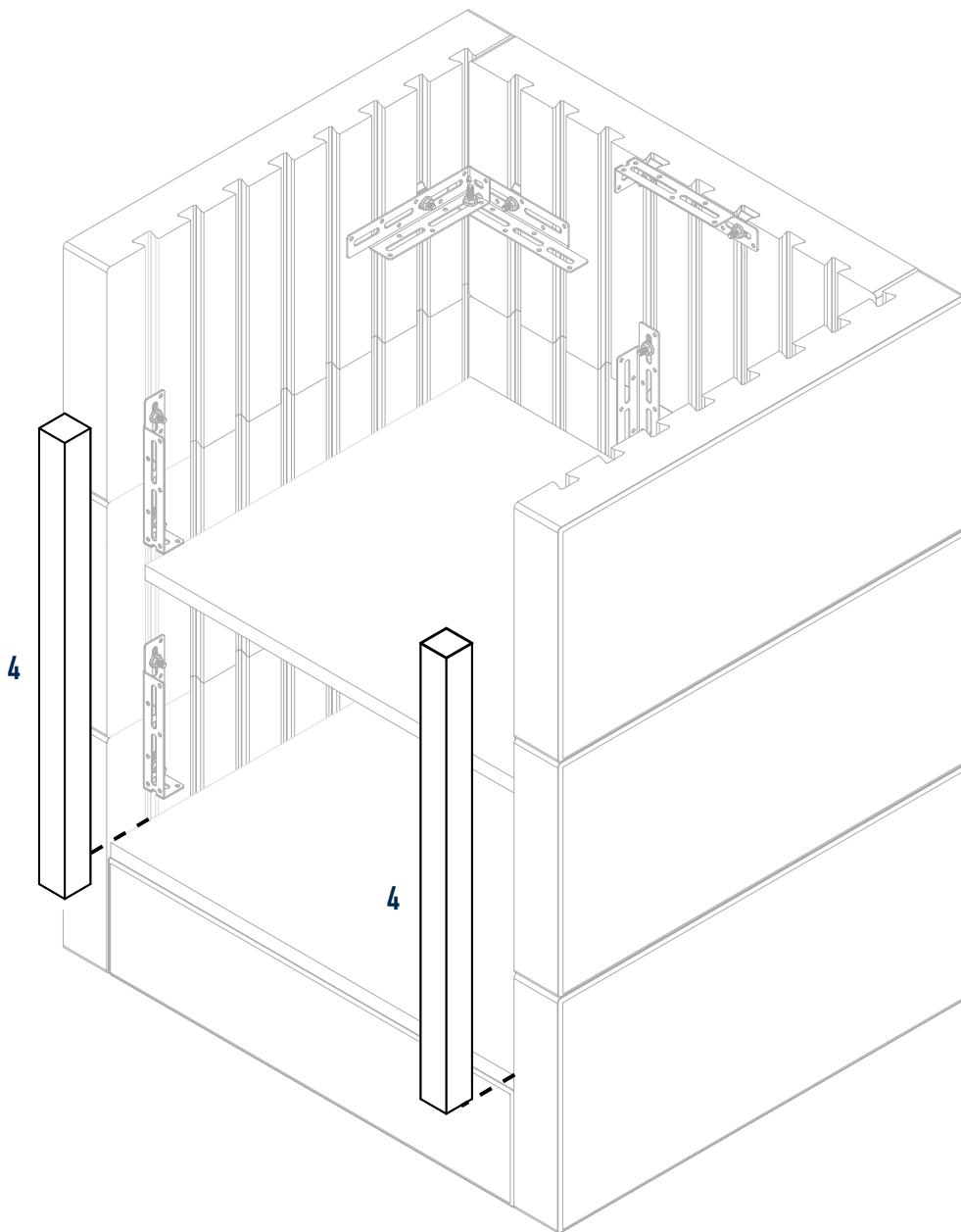
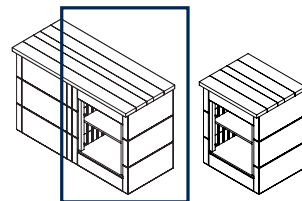




DESIGNFORMS™

COUNTER COMBO A - 1 SHELVING UNIT & 1 SOLID UNIT

24

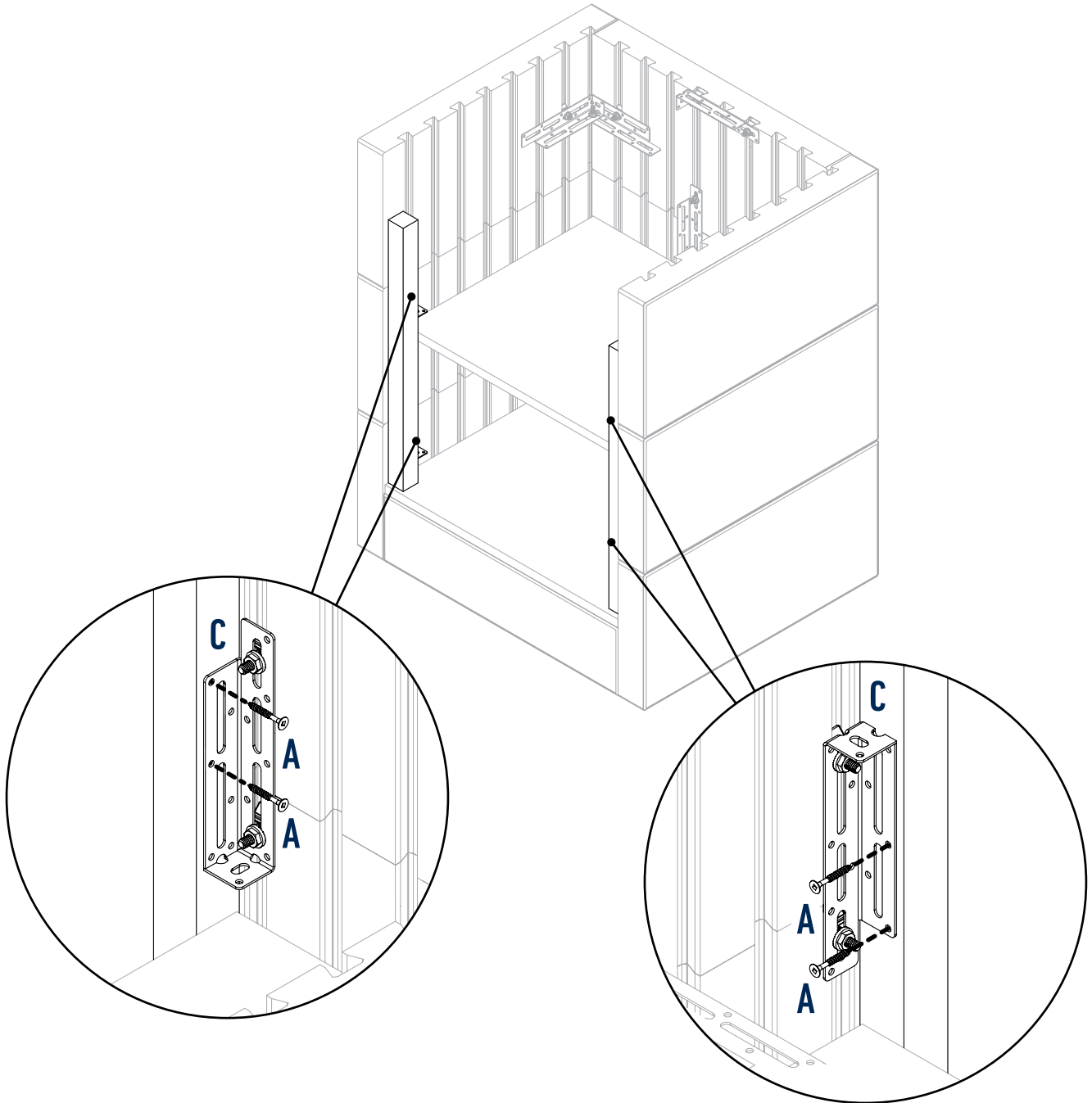
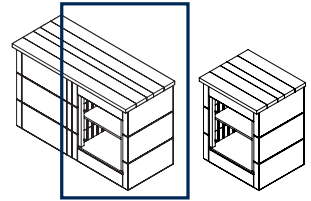




DESIGNFORMS™

COUNTER COMBO A - 1 SHELVING UNIT & 1 SOLID UNIT

25

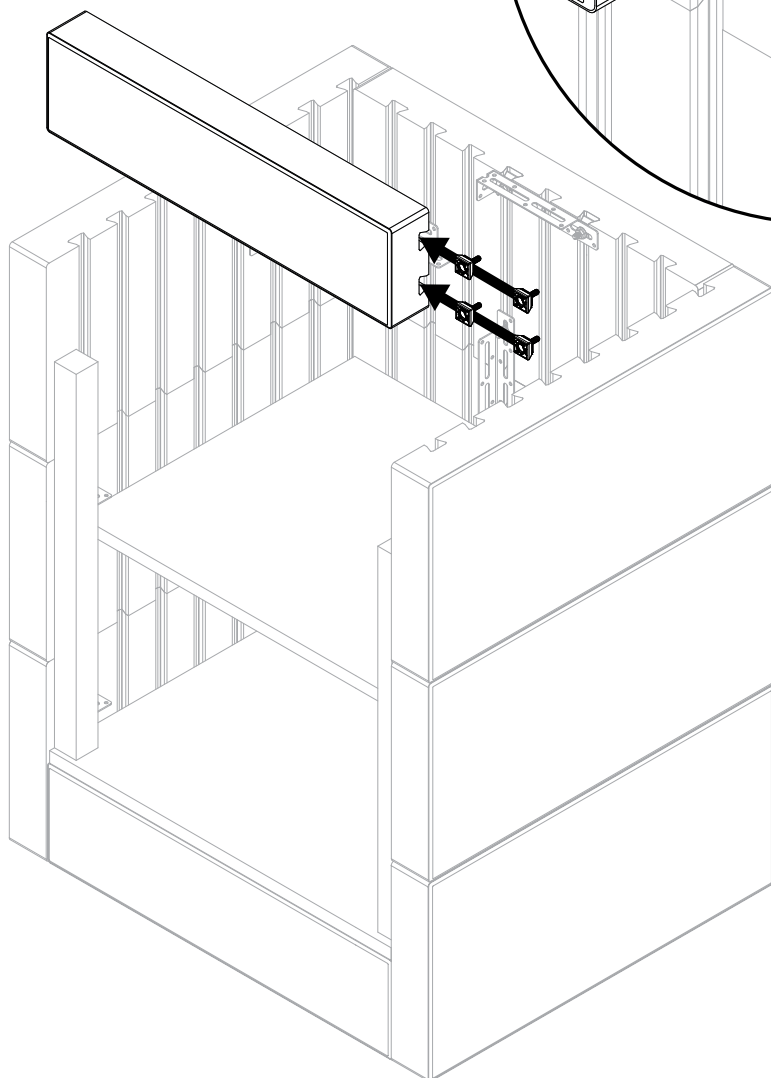
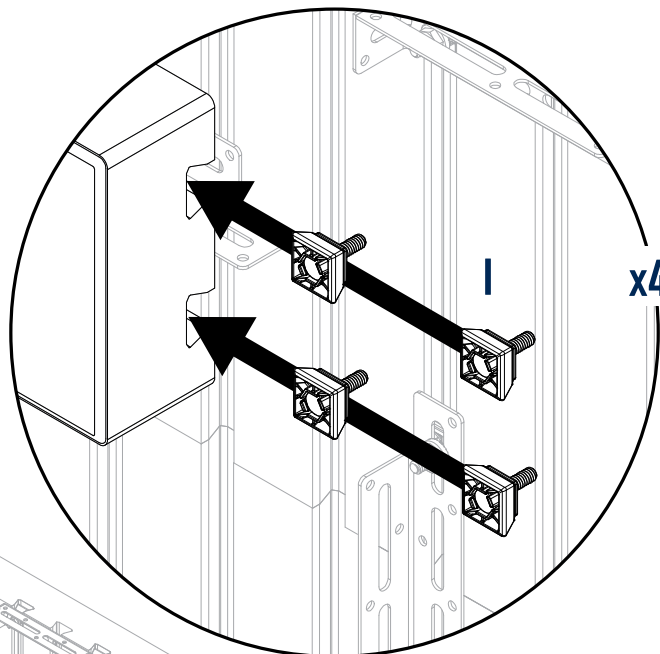
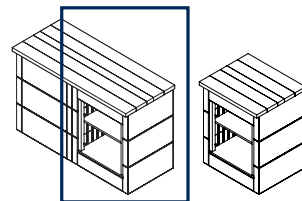




DESIGNFORMS™

COUNTER COMBO A - 1 SHELVING UNIT & 1 SOLID UNIT

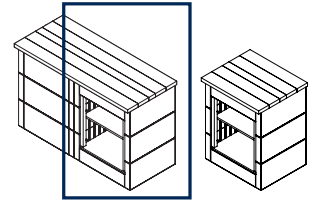
26



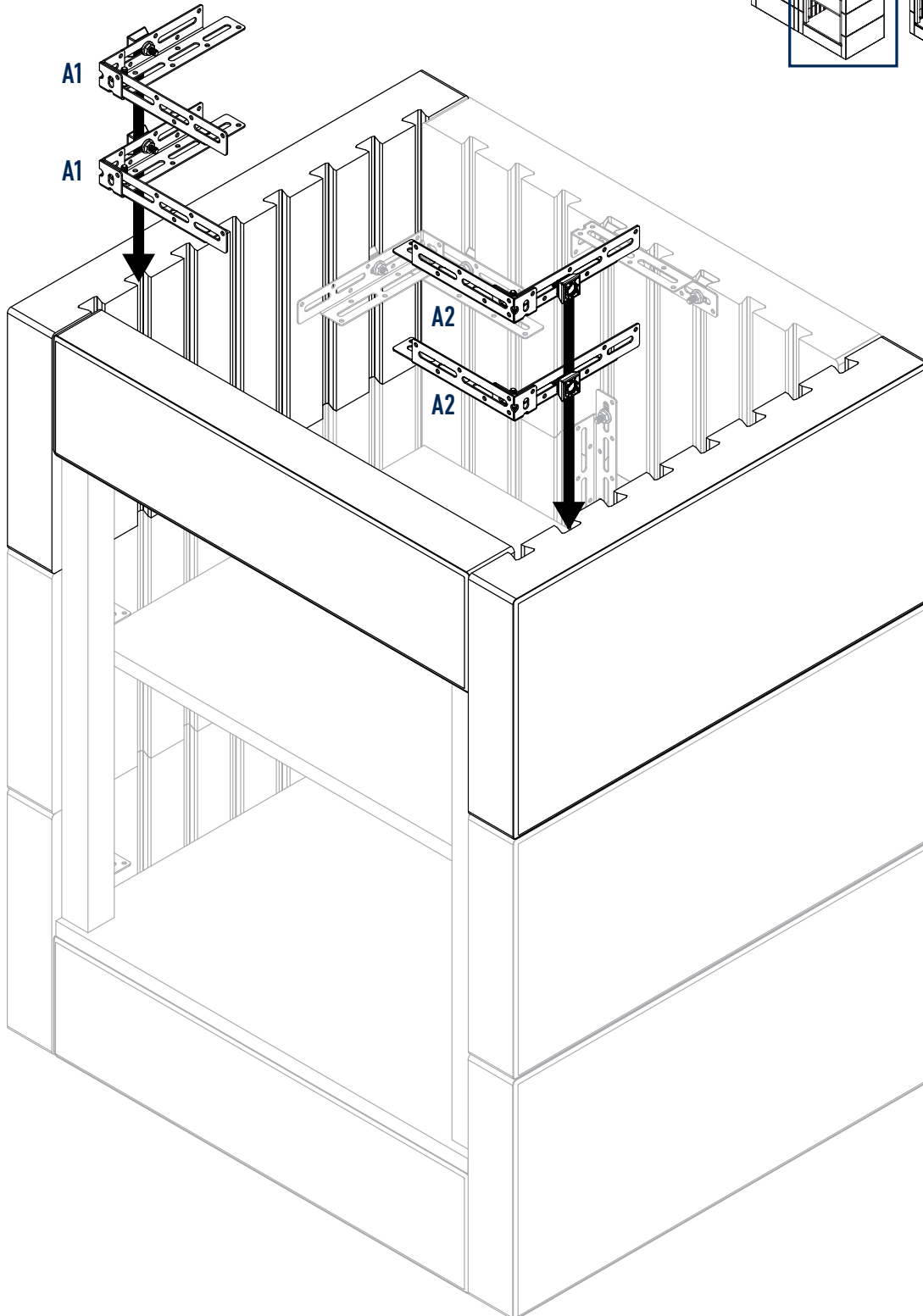


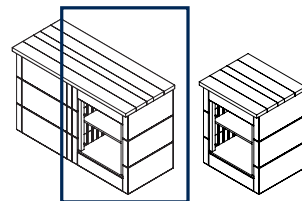
DESIGNFORMS™

COUNTER COMBO A - 1 SHELVING UNIT & 1 SOLID UNIT

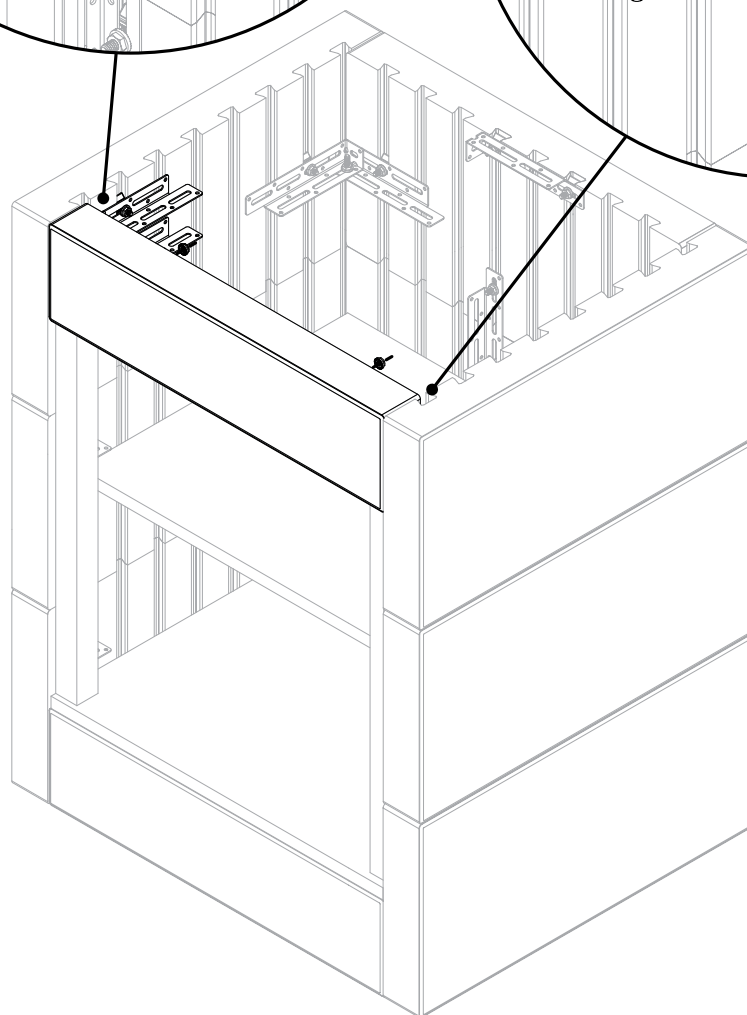
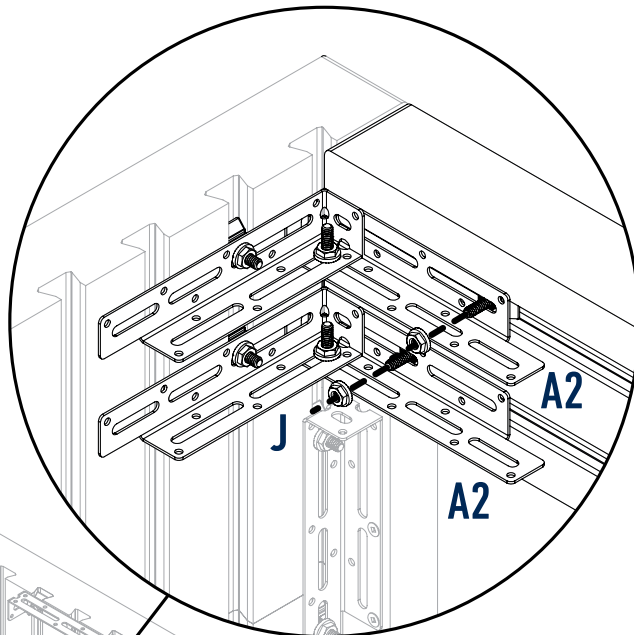
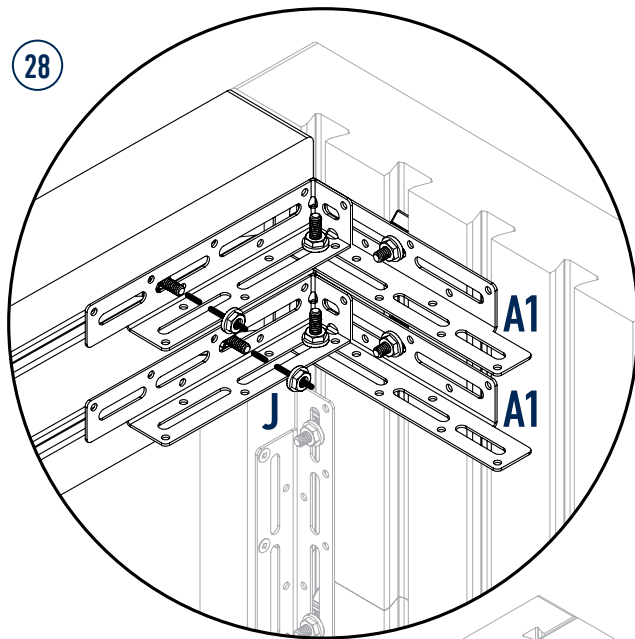


27





28

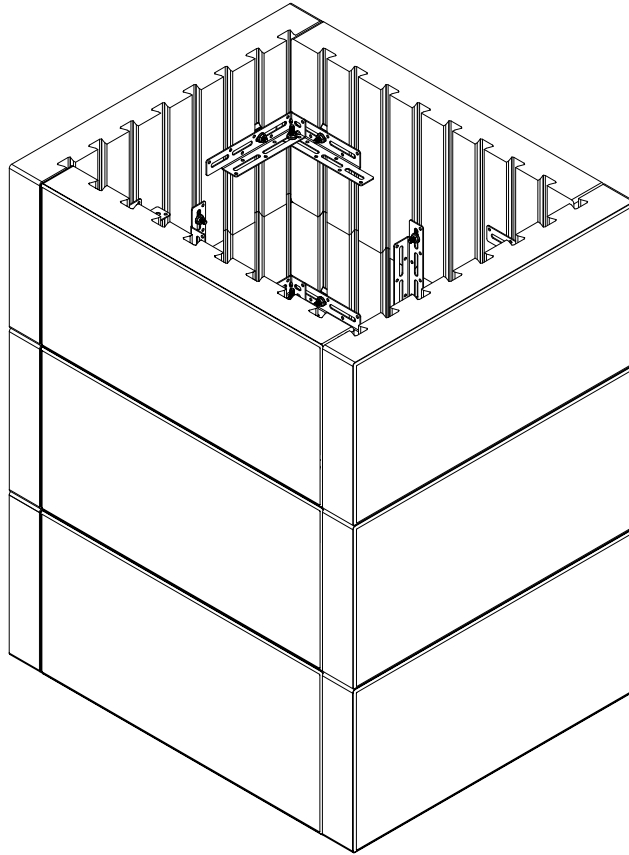
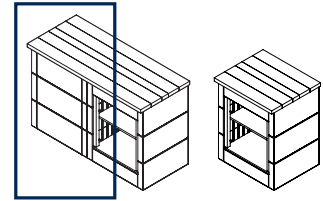


**Next, build the enclosed
single counter flush with
the shelf unit.**

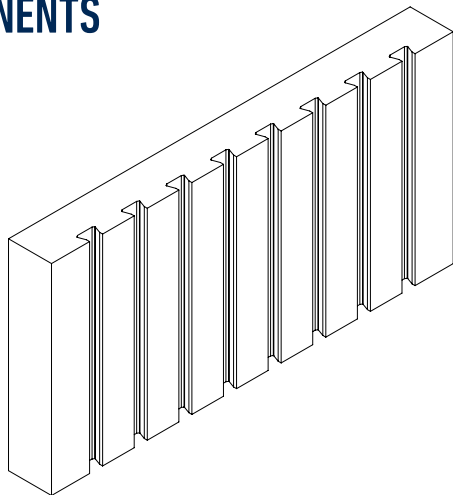


DESIGNFORMS™

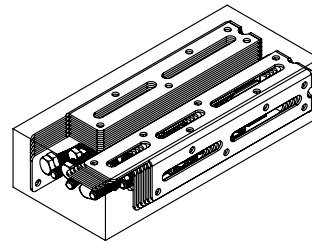
COUNTER COMBO A - 1 SHELVING UNIT & 1 SOLID UNIT



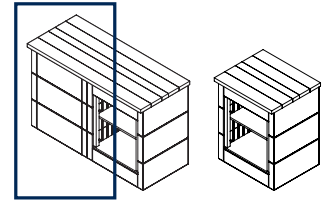
COMPONENTS



Large Panel (x12)
12" x 24"

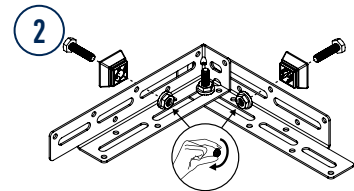
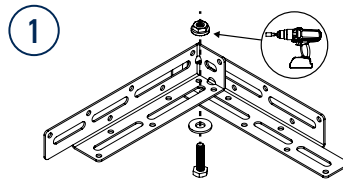
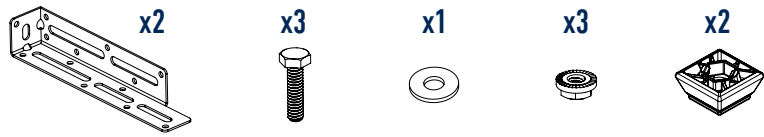
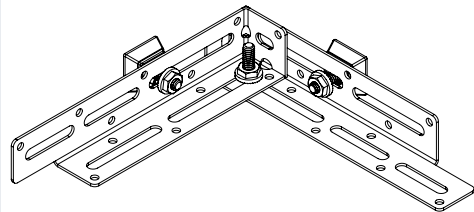


Hardware Kit (x3)



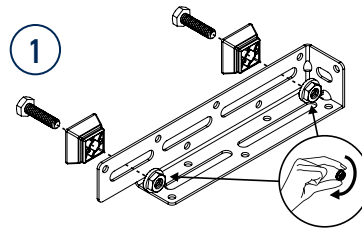
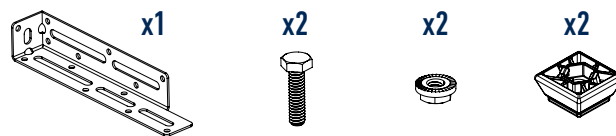
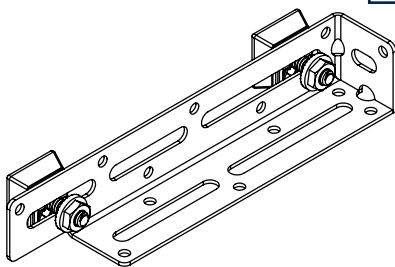
BRACKET A

x12



BRACKET C

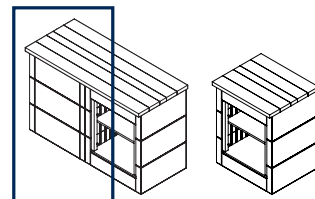
x8



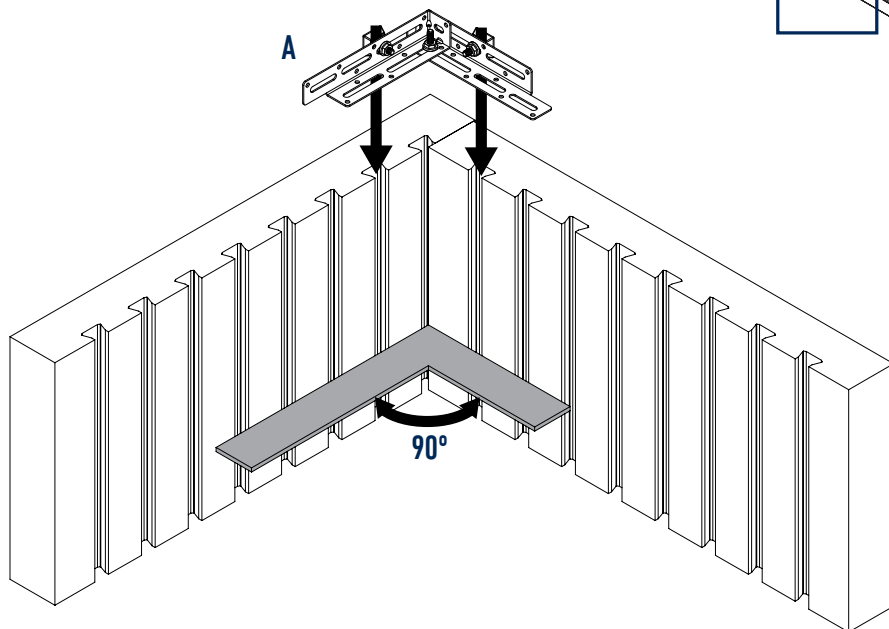


DESIGNFORMS™

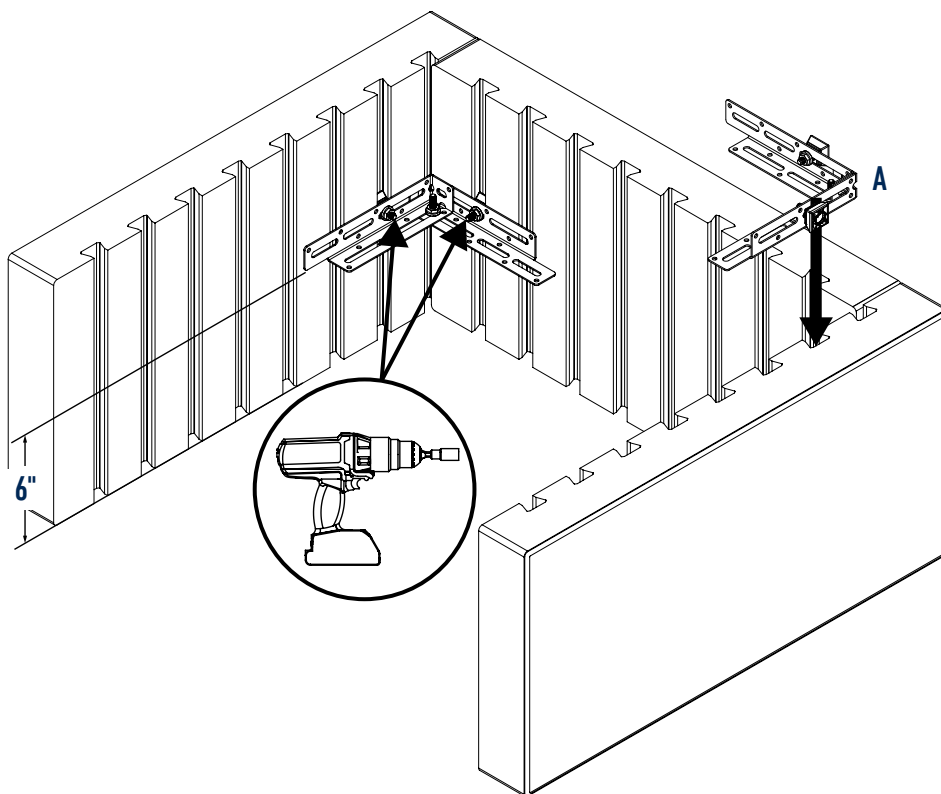
COUNTER COMBO A - 1 SHELVING UNIT & 1 SOLID UNIT



1



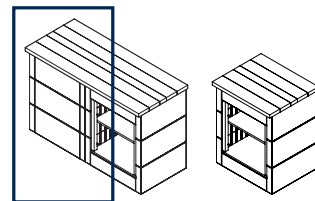
2



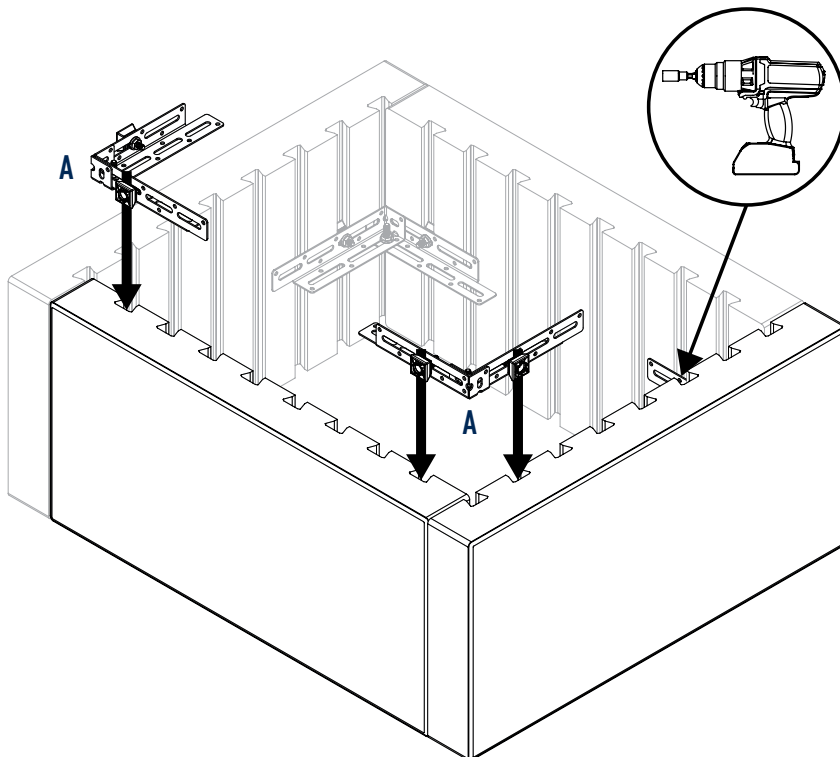


DESIGNFORMS™

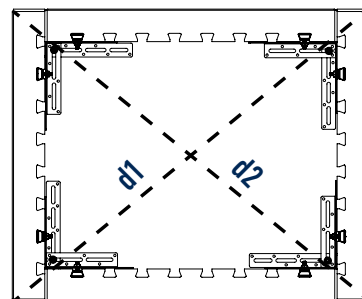
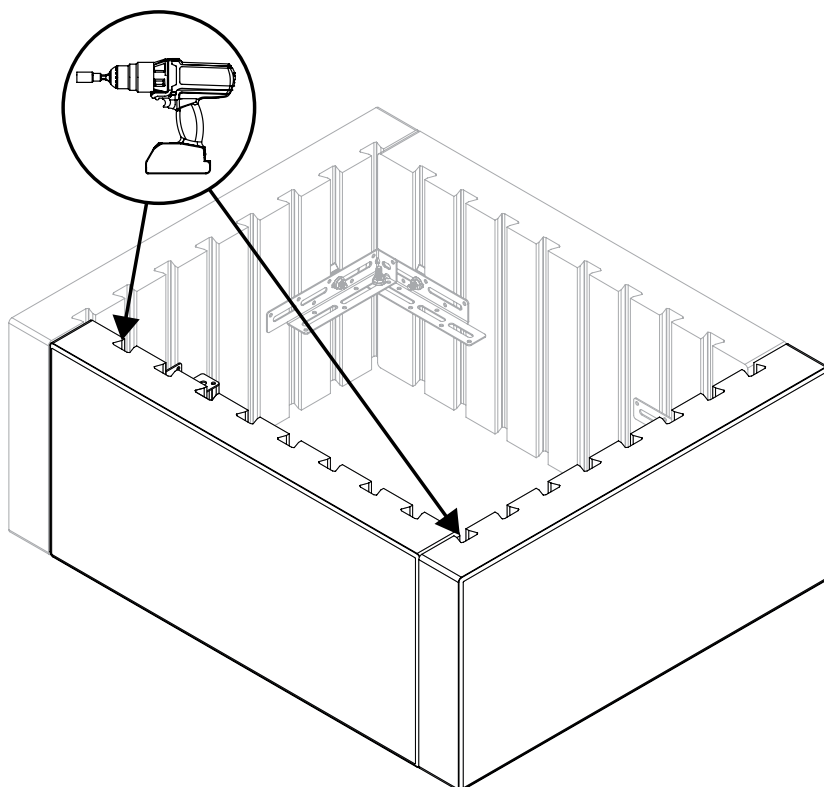
COUNTER COMBO A - 1 SHELVING UNIT & 1 SOLID UNIT



3



4

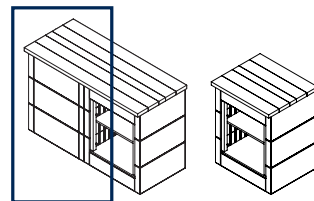


$d1 = d2$

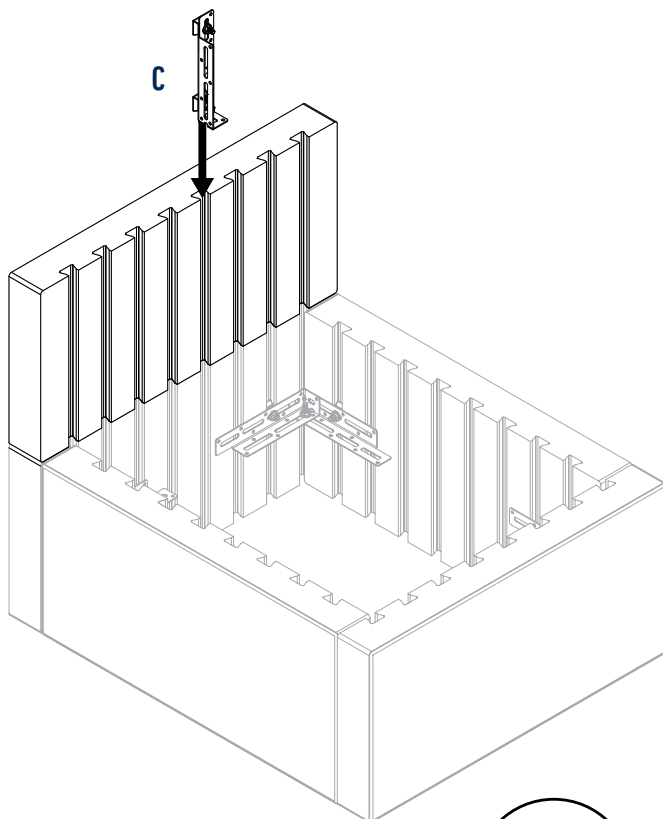


DESIGNFORMS™

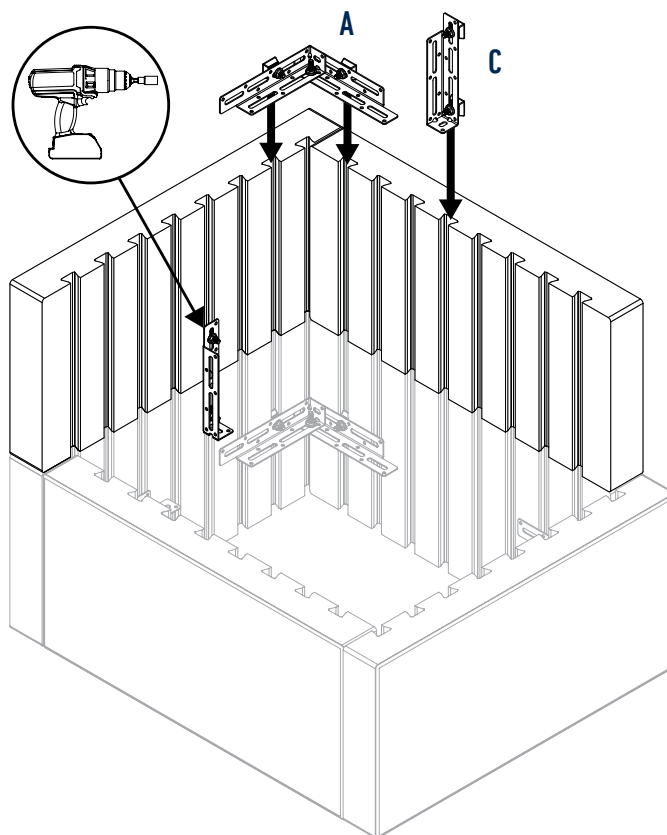
COUNTER COMBO A - 1 SHELVING UNIT & 1 SOLID UNIT



5



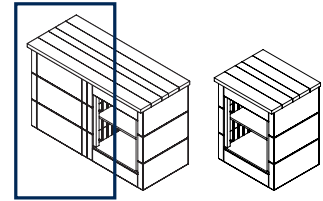
6



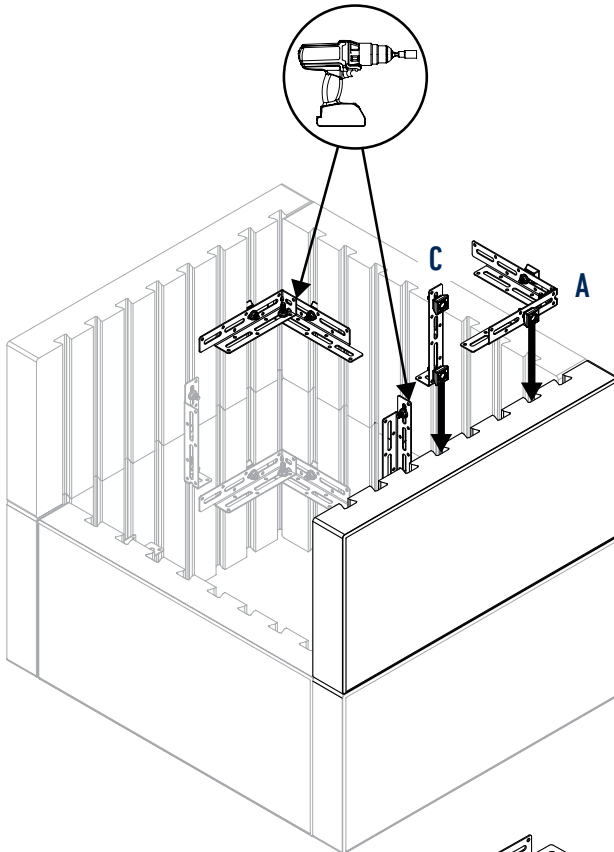


DESIGNFORMS™

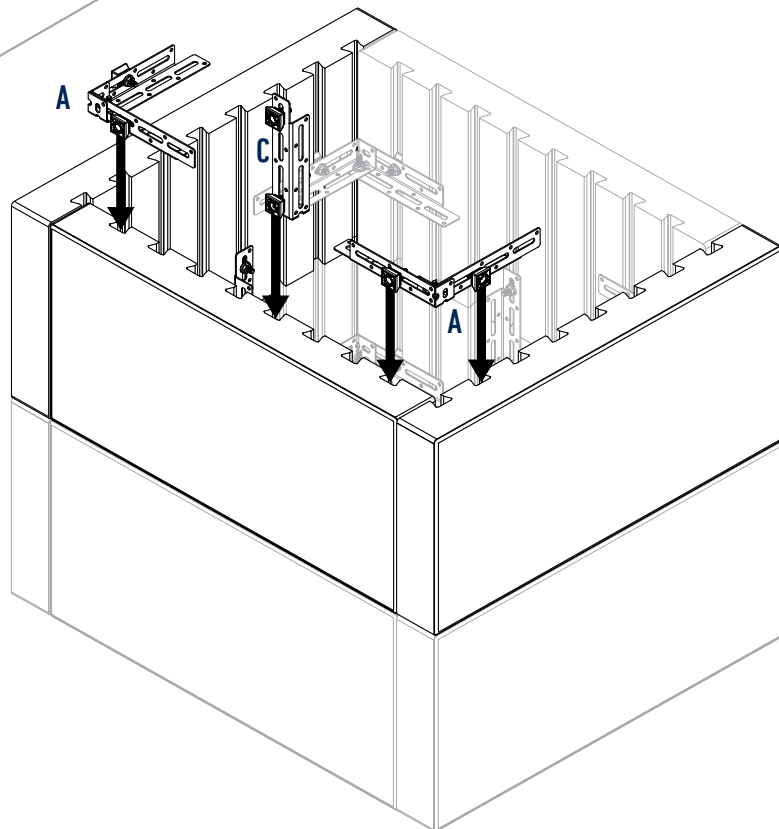
COUNTER COMBO A - 1 SHELVING UNIT & 1 SOLID UNIT

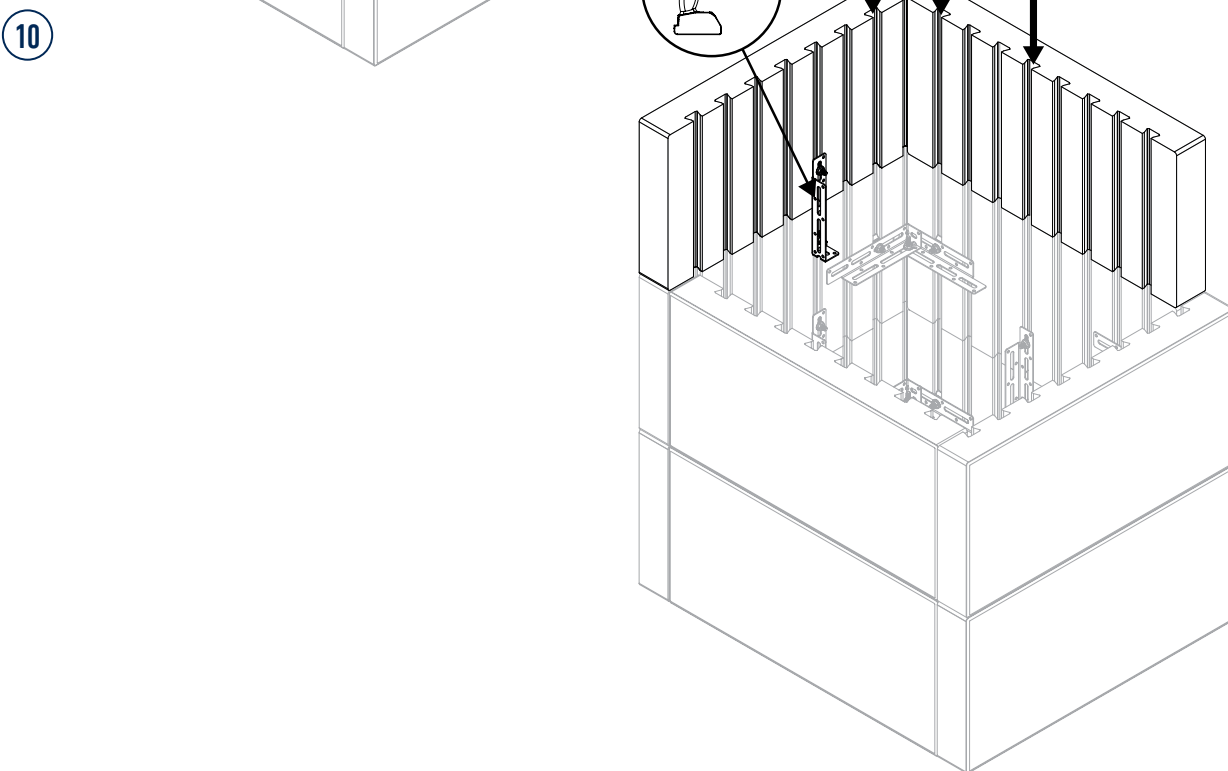
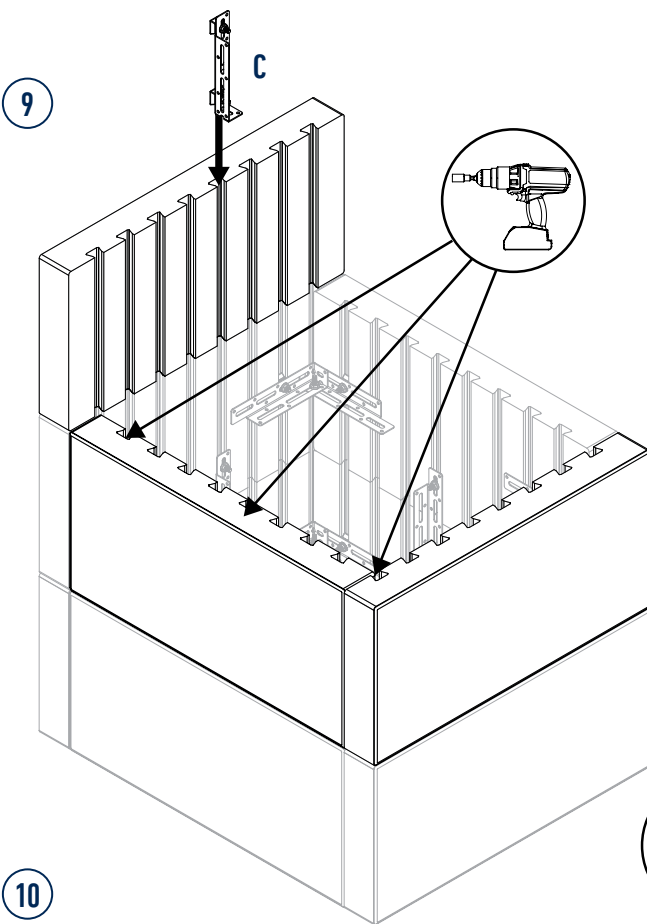
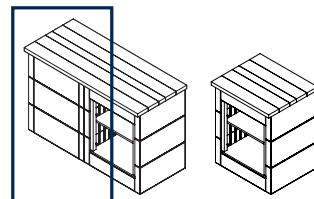


7



8

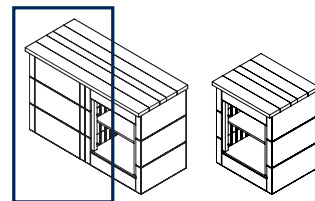




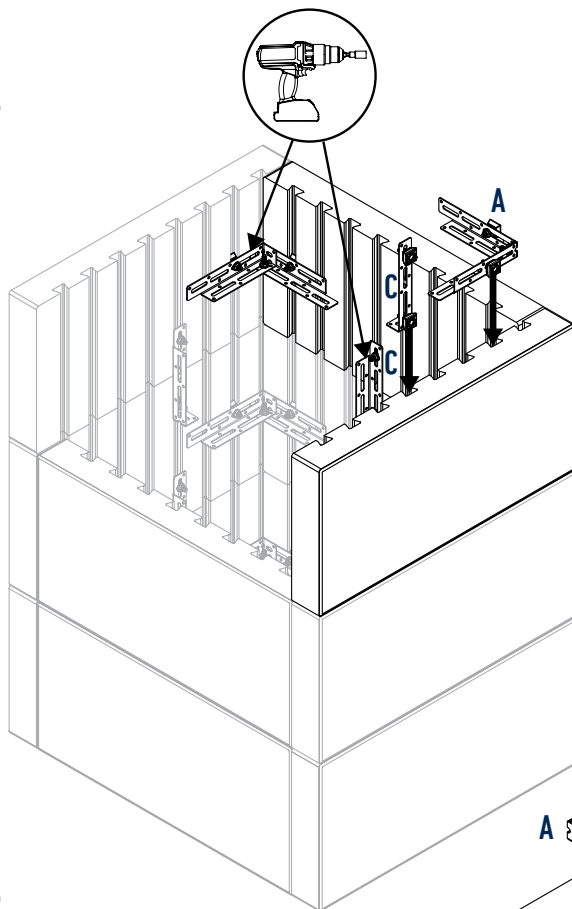


DESIGNFORMS™

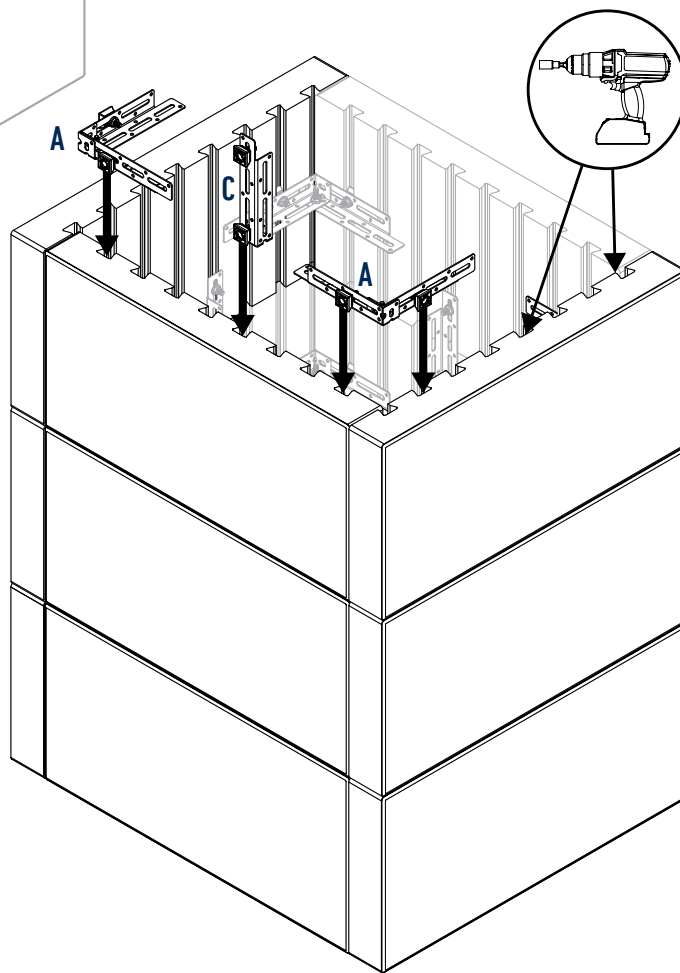
COUNTER COMBO A - 1 SHELVING UNIT & 1 SOLID UNIT



11



12

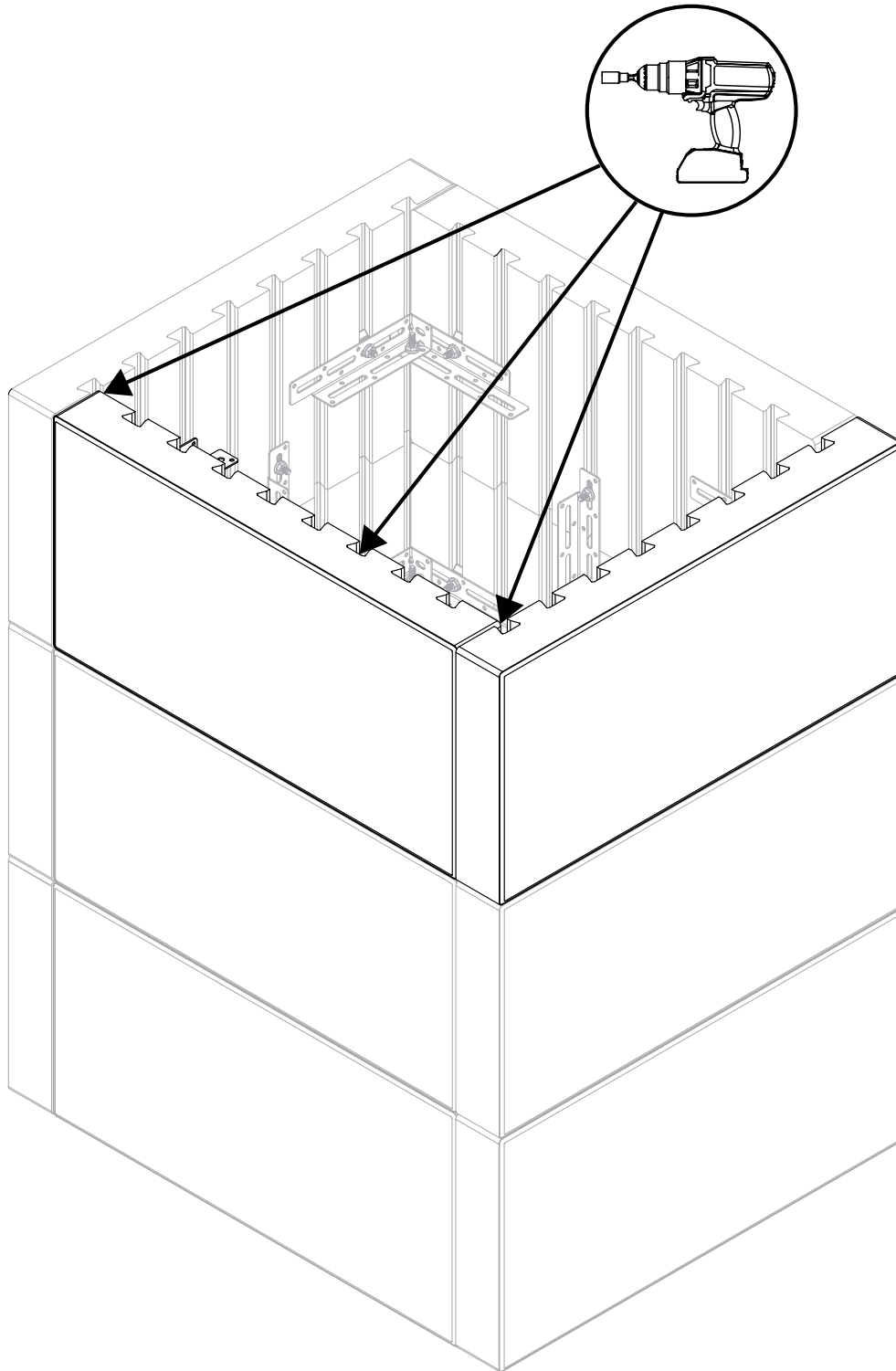
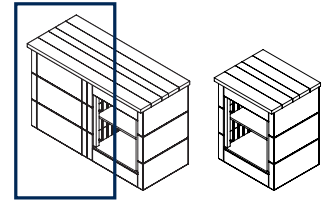




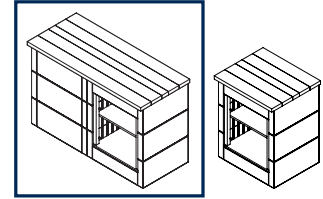
DESIGNFORMS™

COUNTER COMBO A - 1 SHELVING UNIT & 1 SOLID UNIT

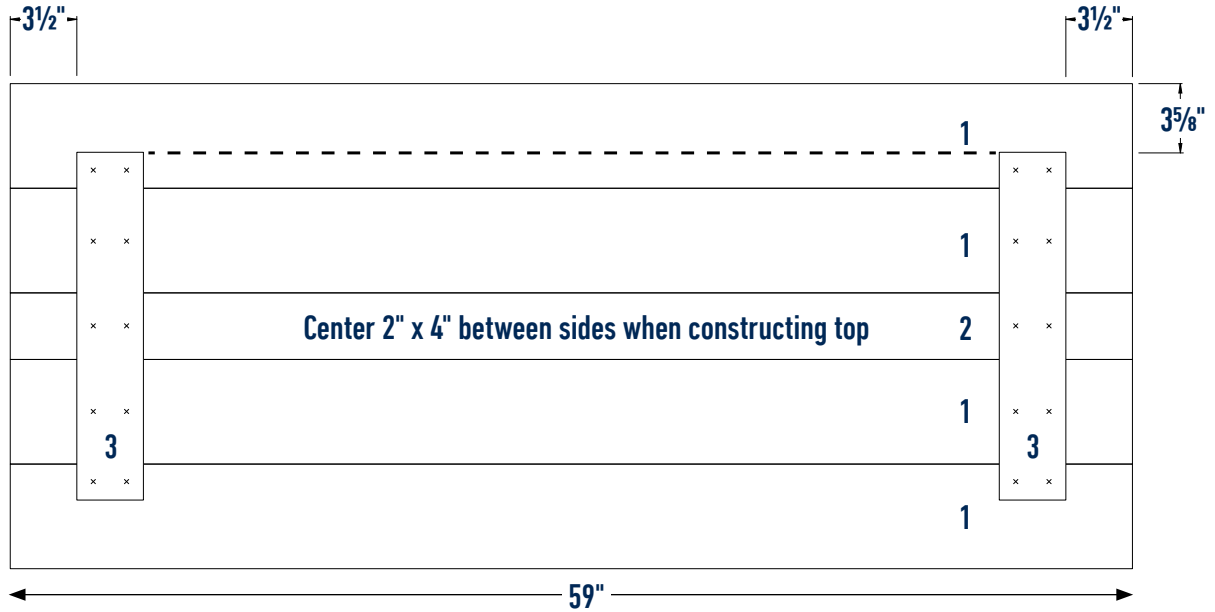
13



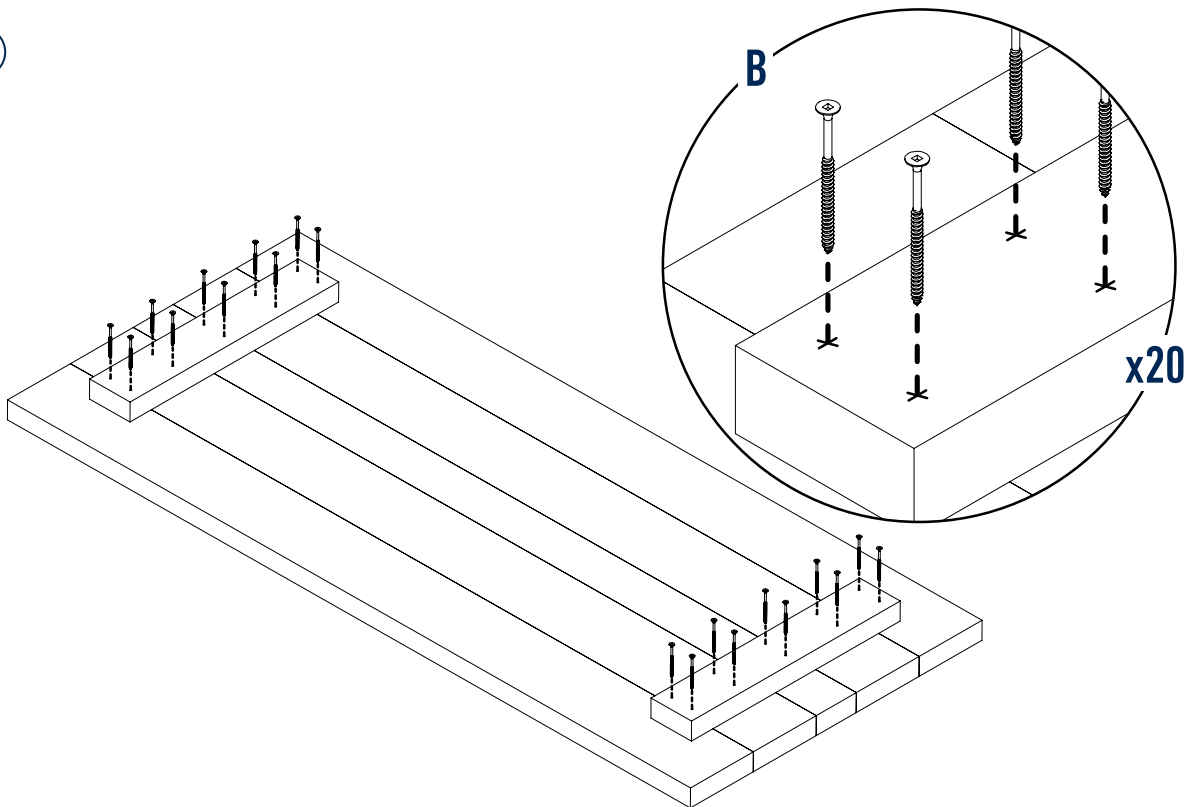
**COUNTER COMBO A -
1 SHELVING UNIT & 1 SOLID UNIT**



1



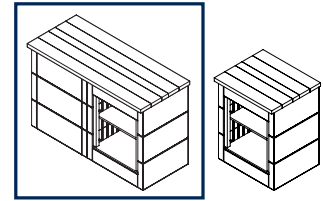
2



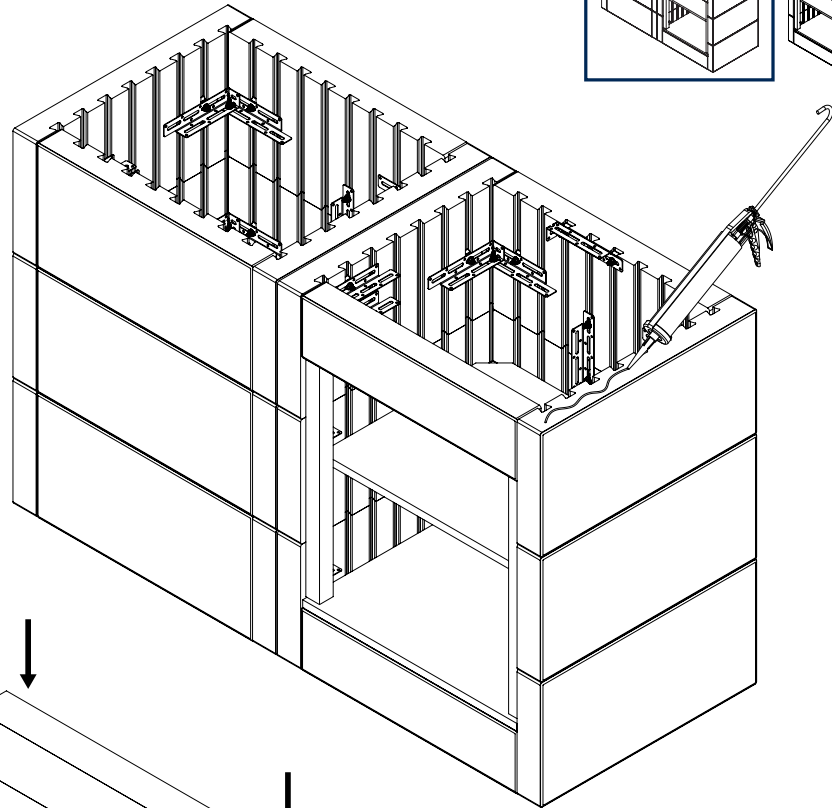


DESIGNFORMS™

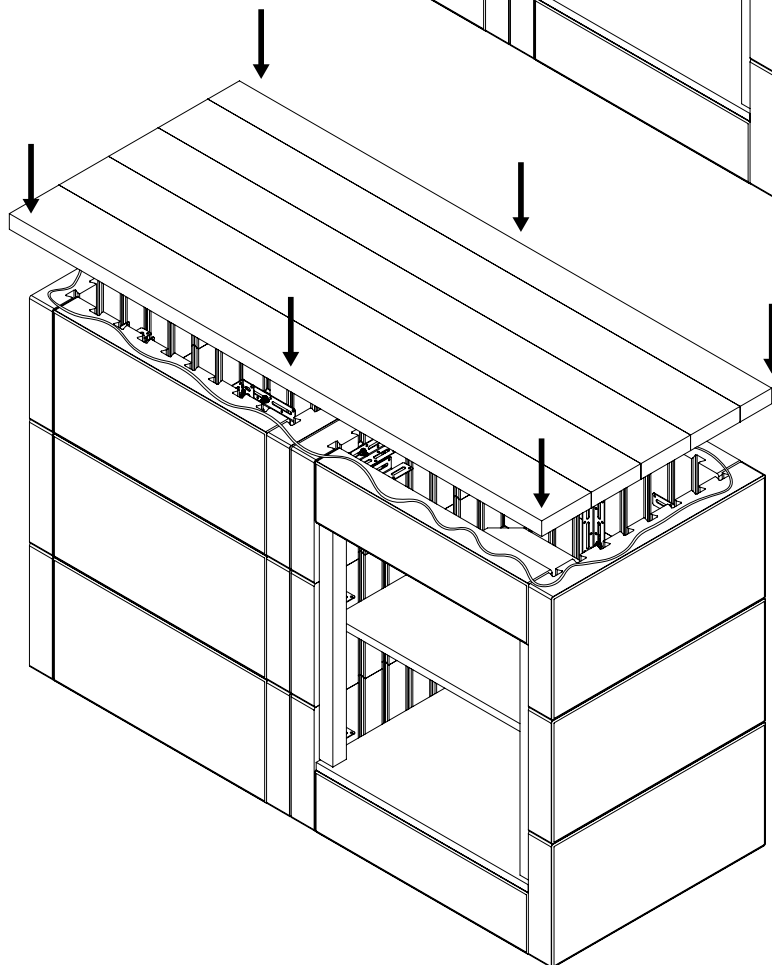
COUNTER COMBO A - 1 SHELVING UNIT & 1 SOLID UNIT



3

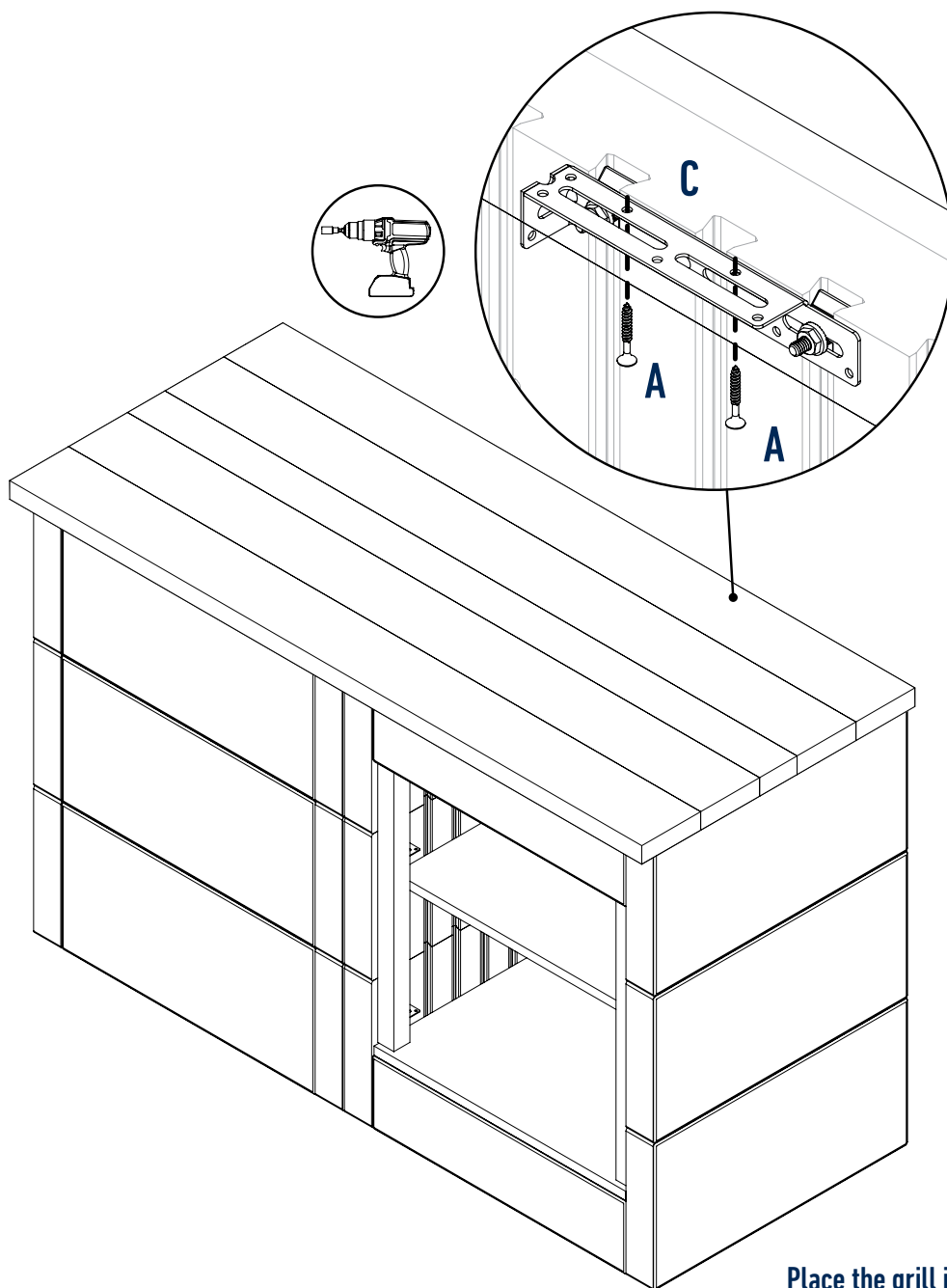
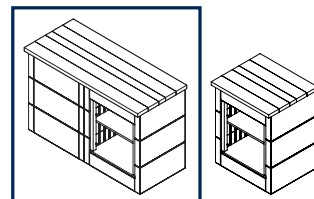


4





5

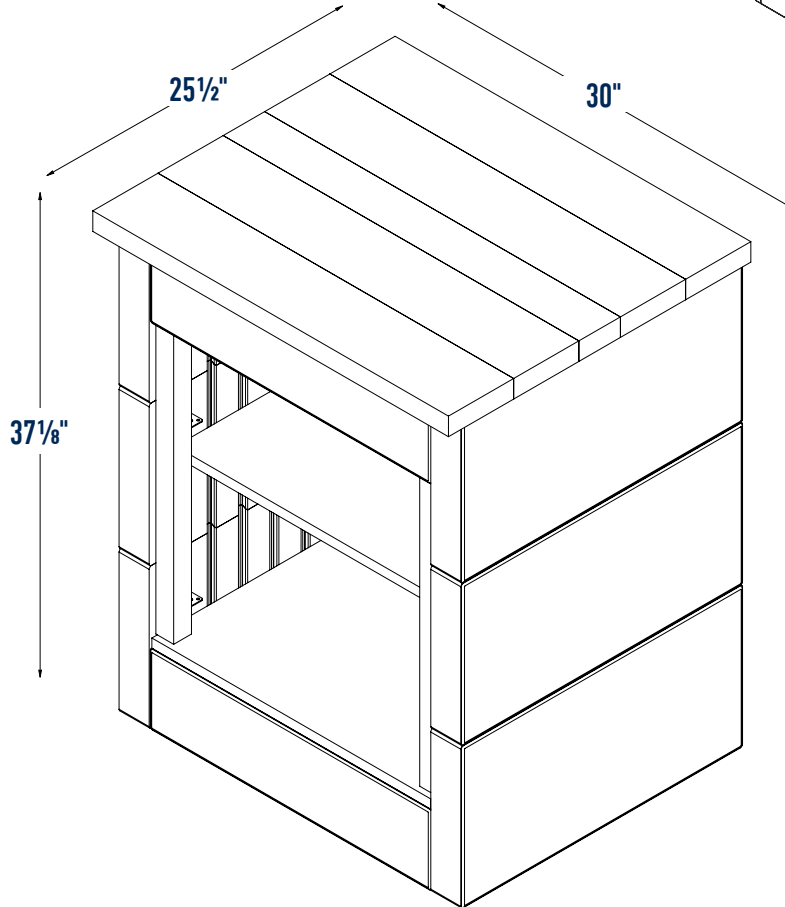
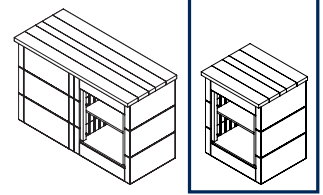


Place the grill in position to line up the next build before starting construction of the single counter shelving unit.

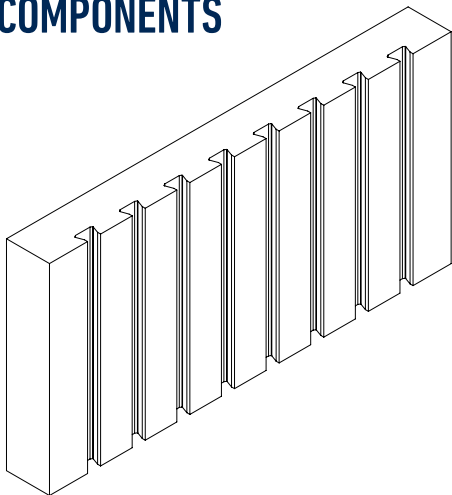


DESIGNFORMS™

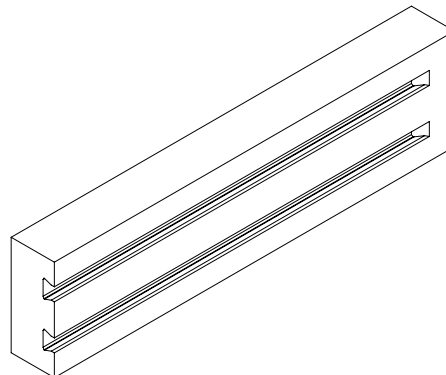
SINGLE COUNTER - SHELVING UNIT



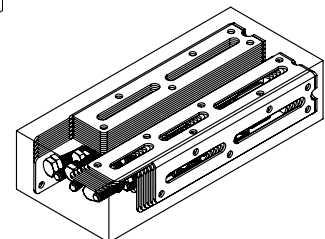
COMPONENTS



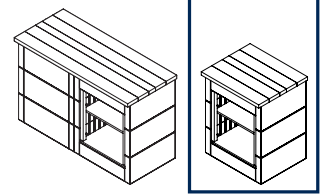
Large Panel (x9)
12" x 24"



Small Panel (x2)
6" x 24"



Hardware Kit (x3)



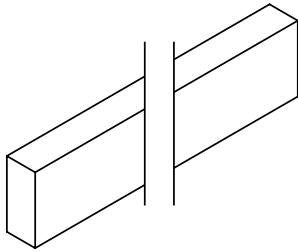
A #8 1¼" DECK SCREW **x10**



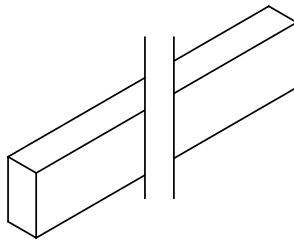
B #8 2½" DECK SCREW **x20**



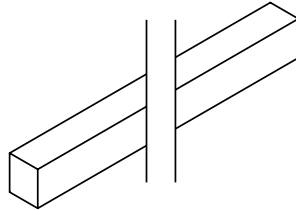
2" x 6" x 10' PRESSURE TREATED WOOD **x1**



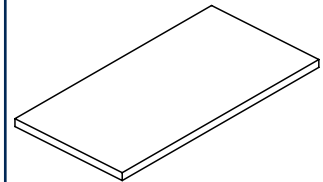
2" x 4" x 8' PRESSURE TREATED WOOD **x1**



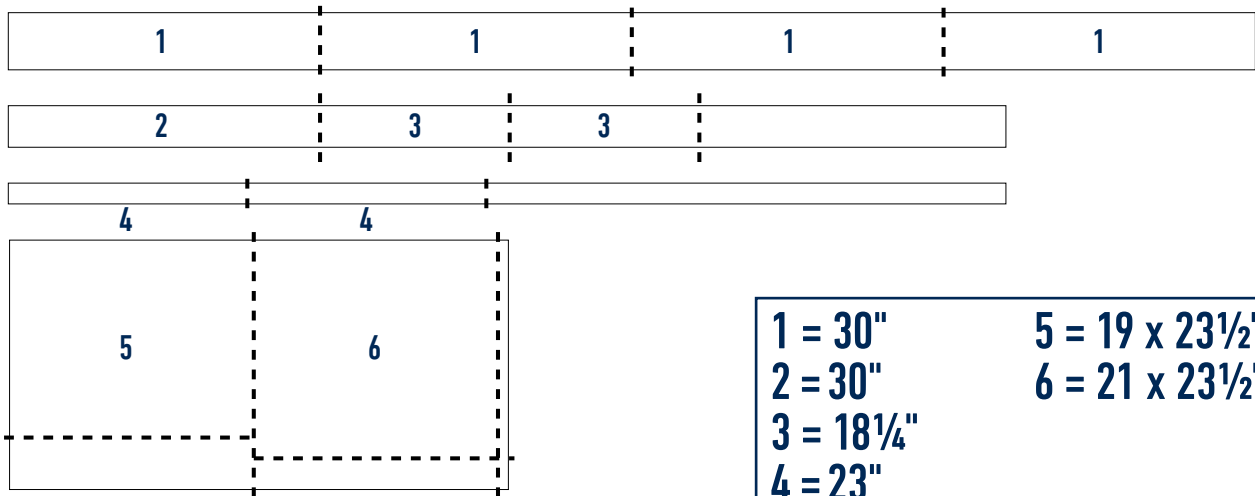
2" x 2" x 8' PRESSURE TREATED WOOD **x1**



2' x 4' x ¾" PLYWOOD **x1**



WOOD CUTS

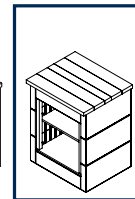
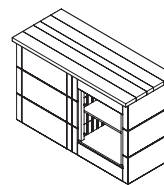


- 1 = 30"**
- 2 = 30"**
- 3 = 18¼"**
- 4 = 23"**
- 5 = 19 x 23½"**
- 6 = 21 x 23½"**

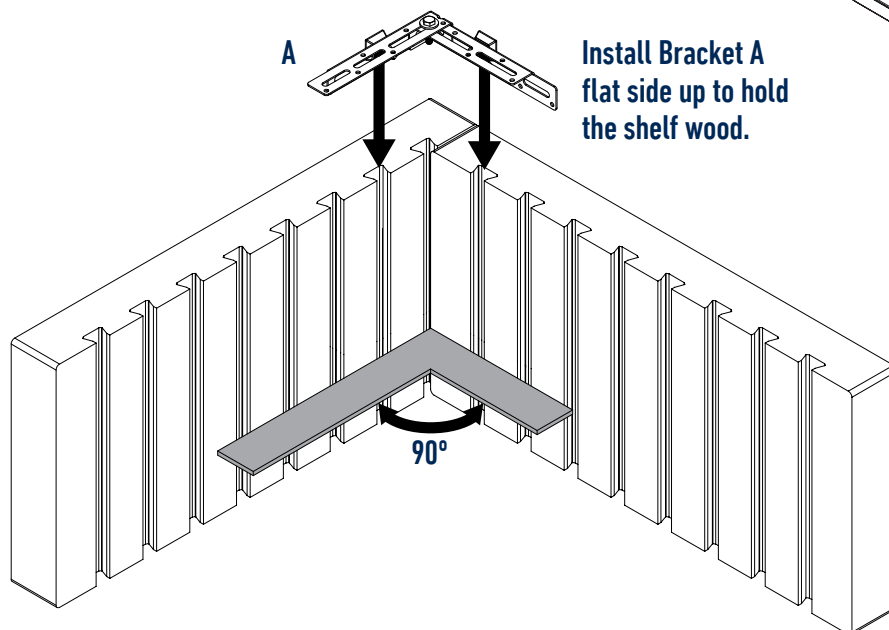


DESIGNFORMS™

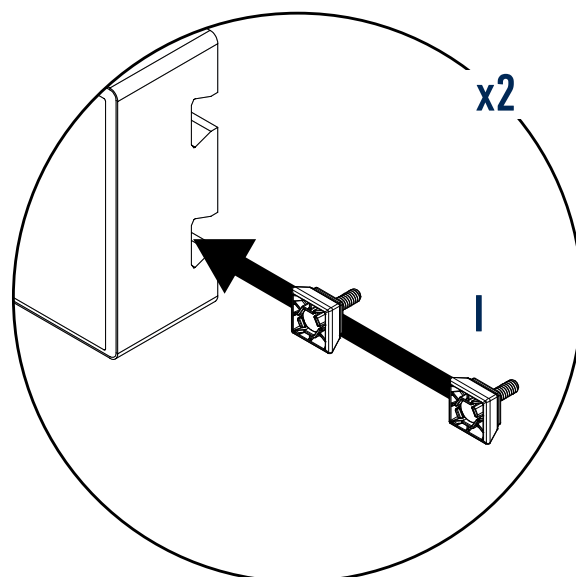
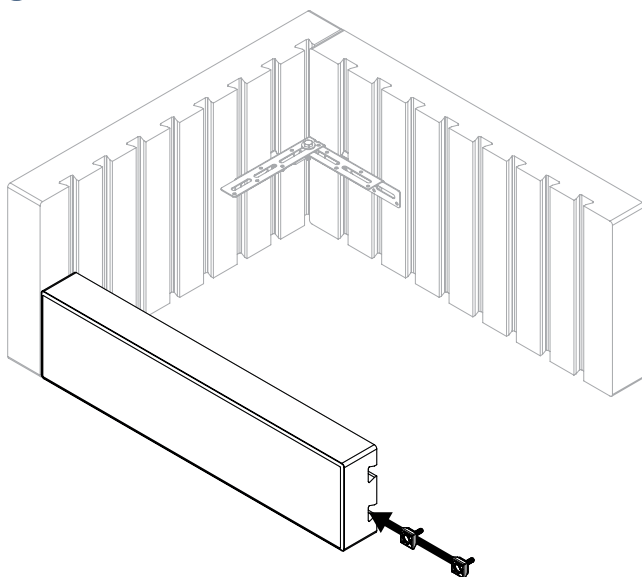
SINGLE COUNTER - SHELVING UNIT

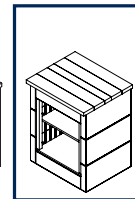
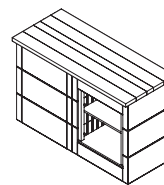


1

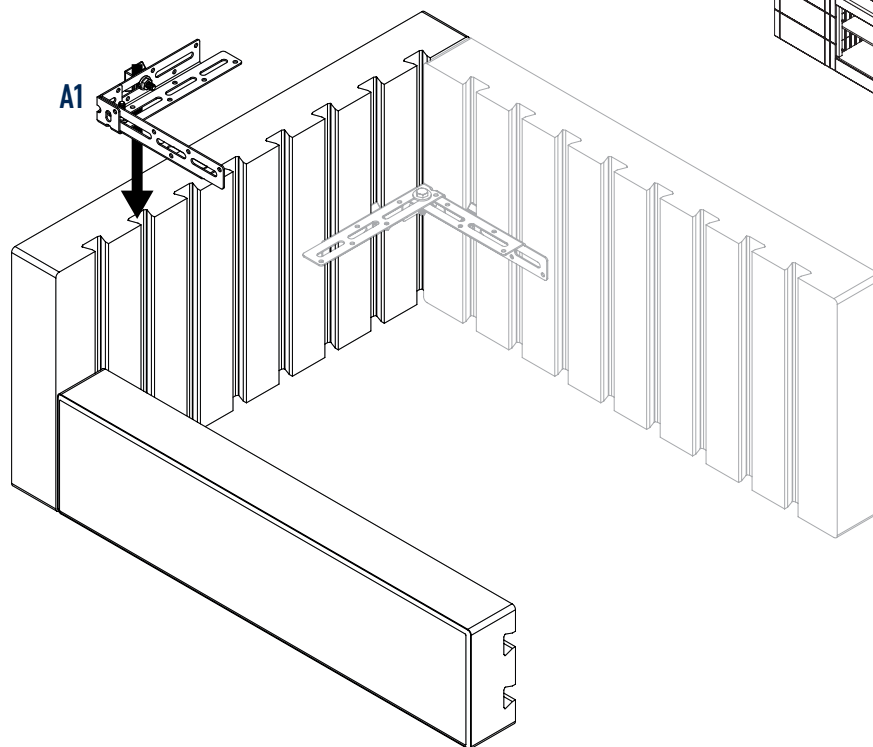


2

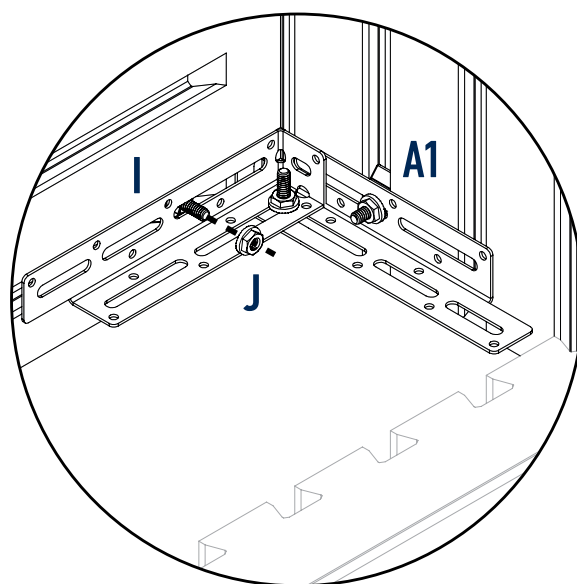
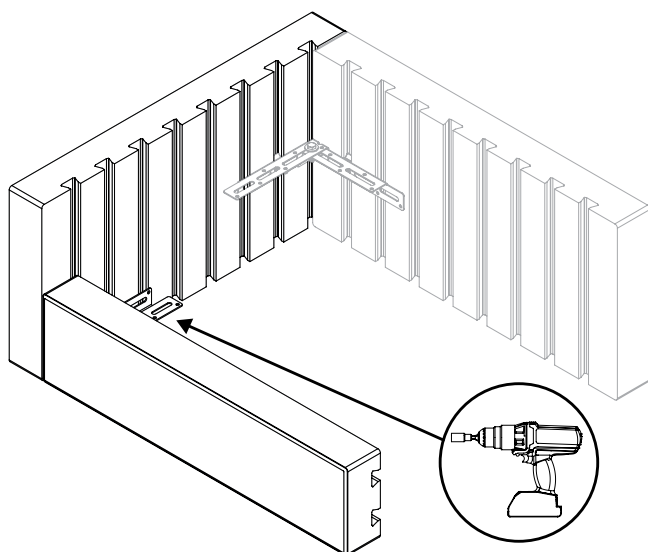




3



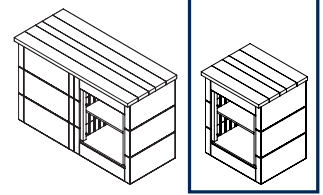
4



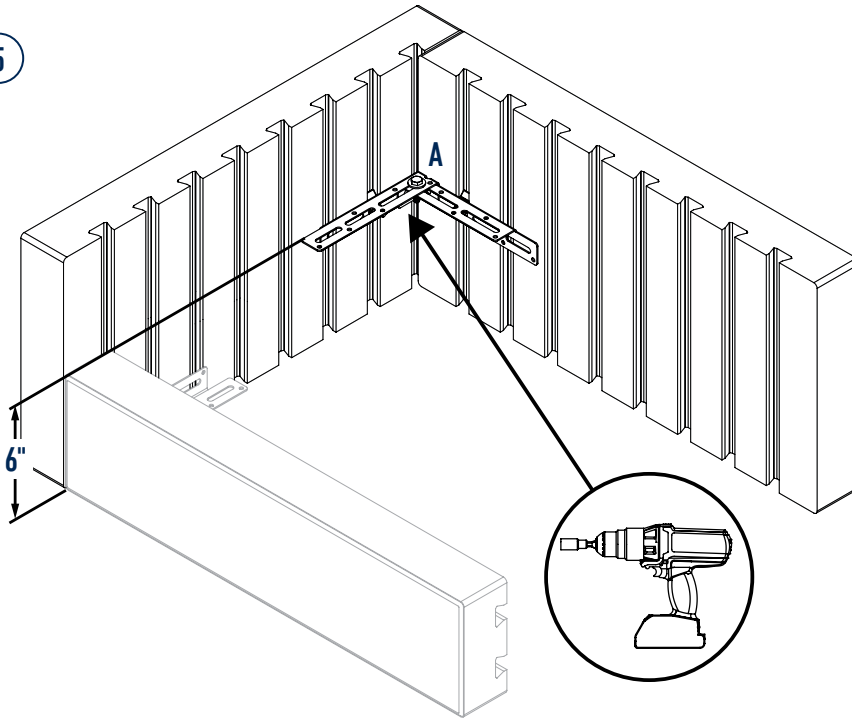


DESIGNFORMS™

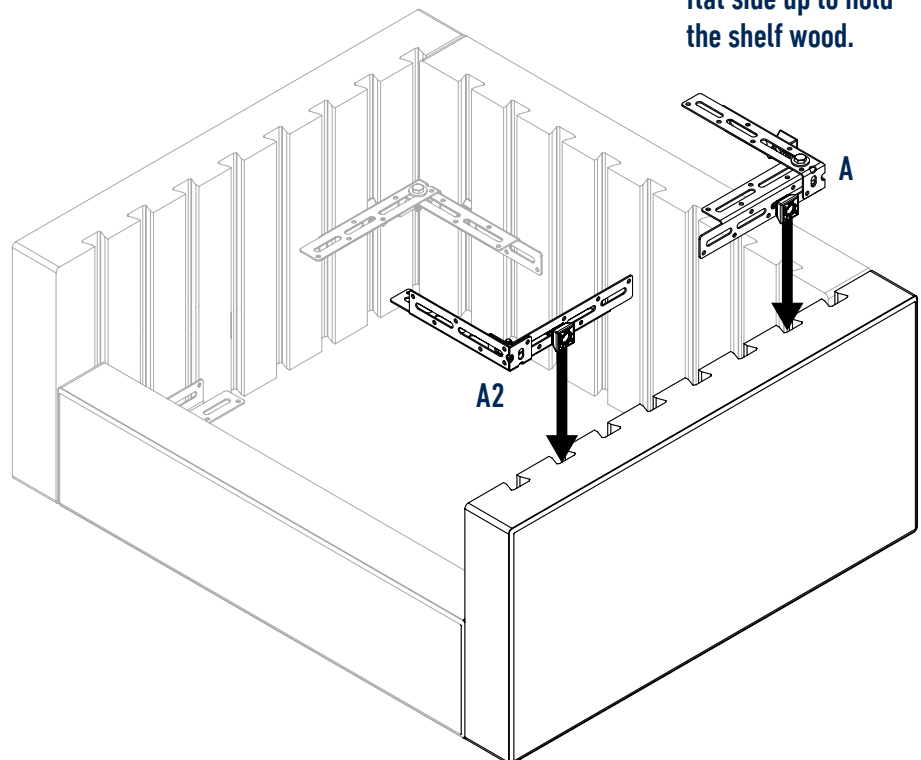
SINGLE COUNTER - SHELVING UNIT



5



6

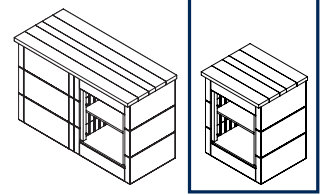


Install Bracket A
flat side up to hold
the shelf wood.

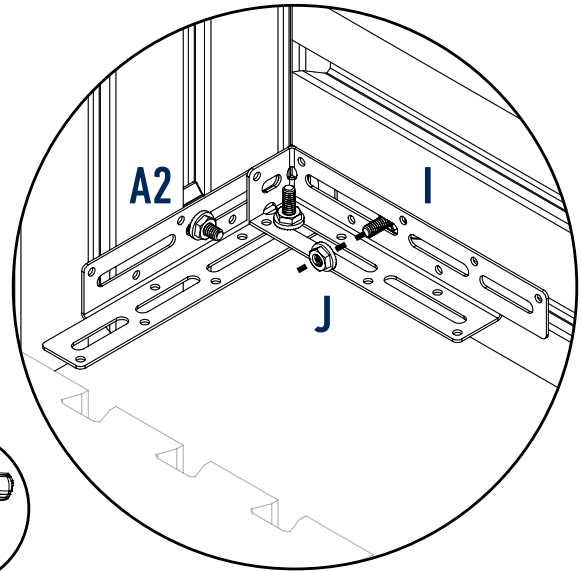
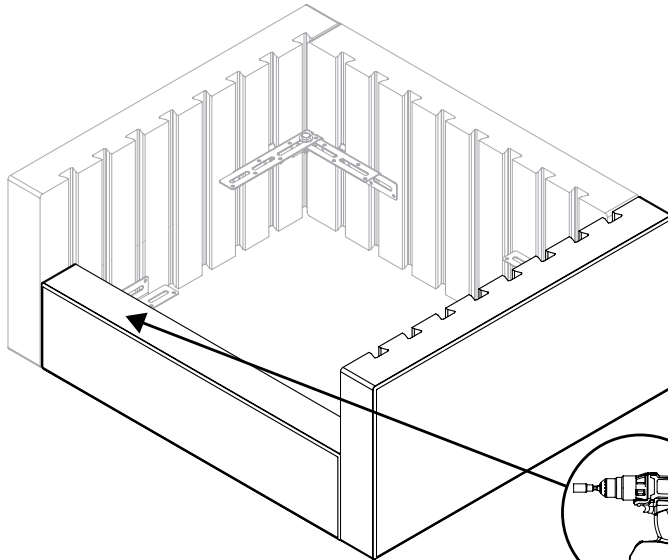


DESIGNFORMS™

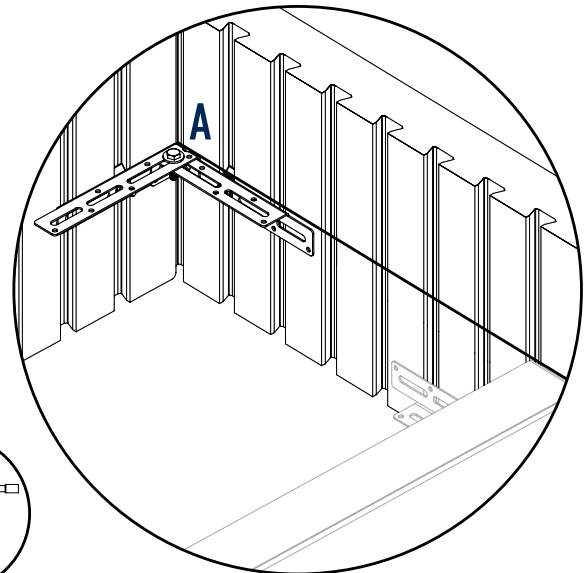
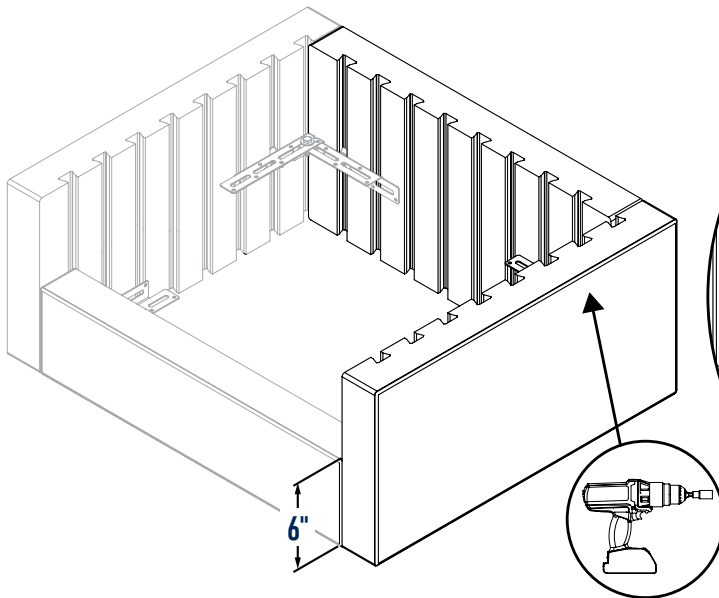
SINGLE COUNTER - SHELVING UNIT

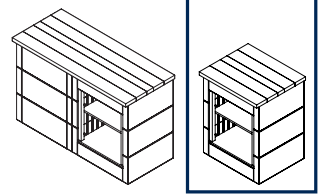


7

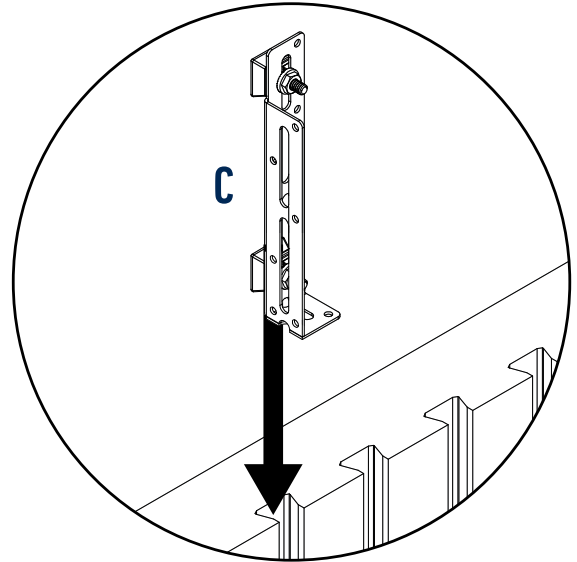
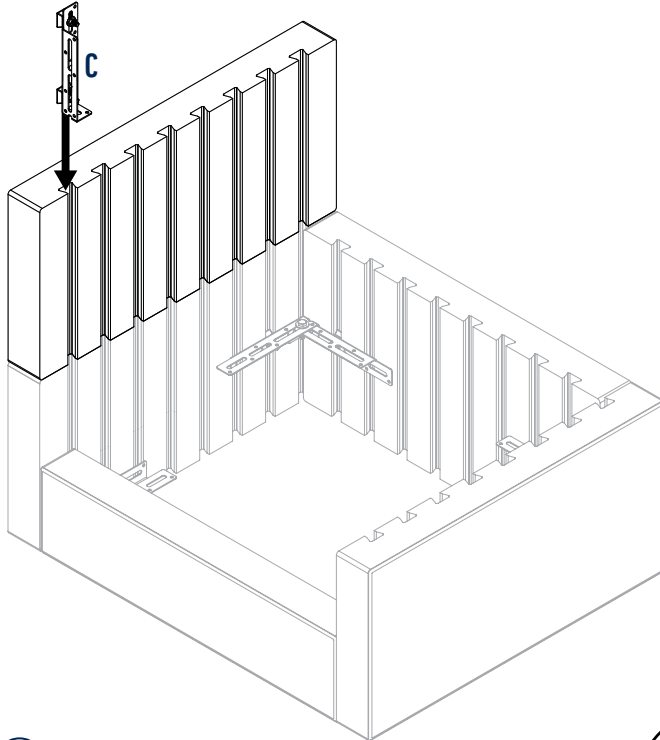


8



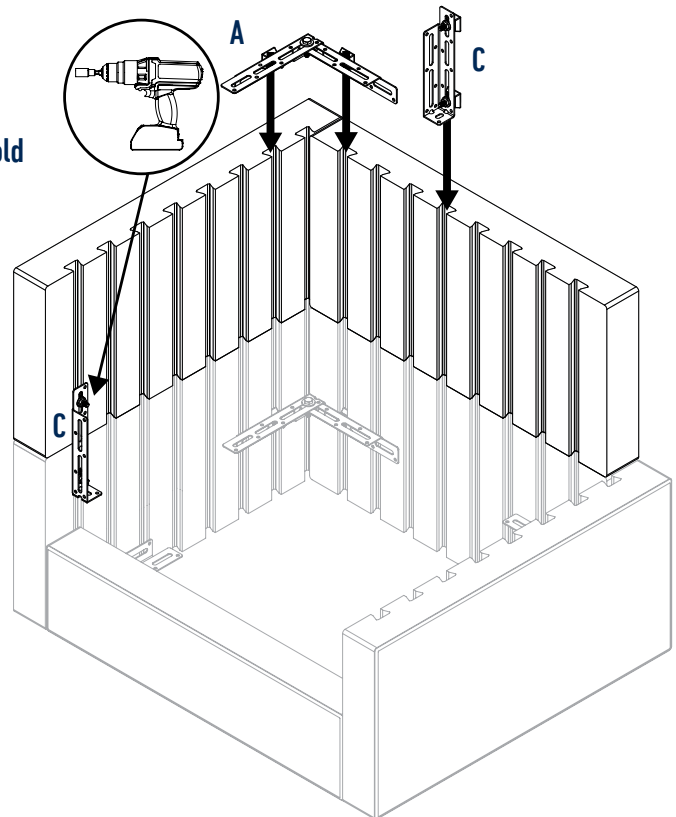


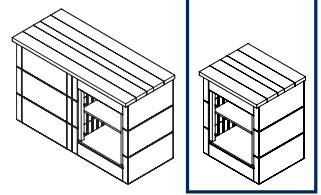
9



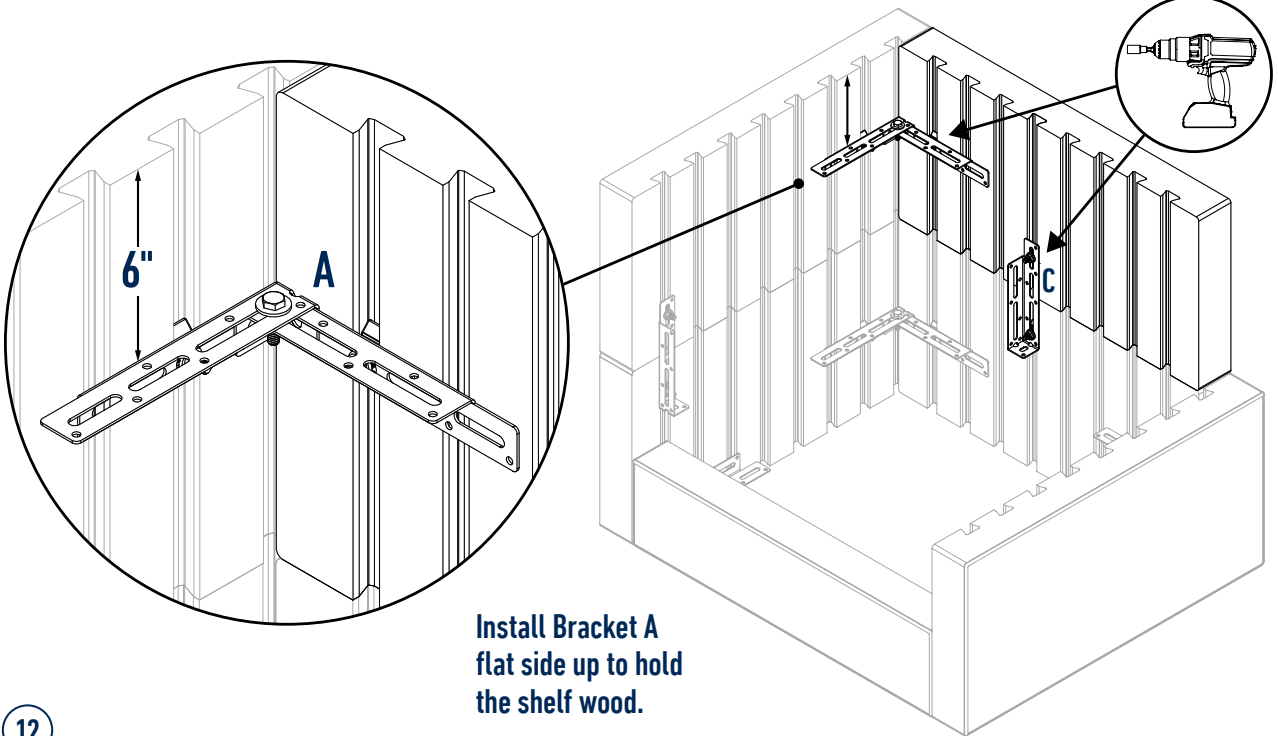
10

Install Bracket A
flat side up to hold
the shelf wood.



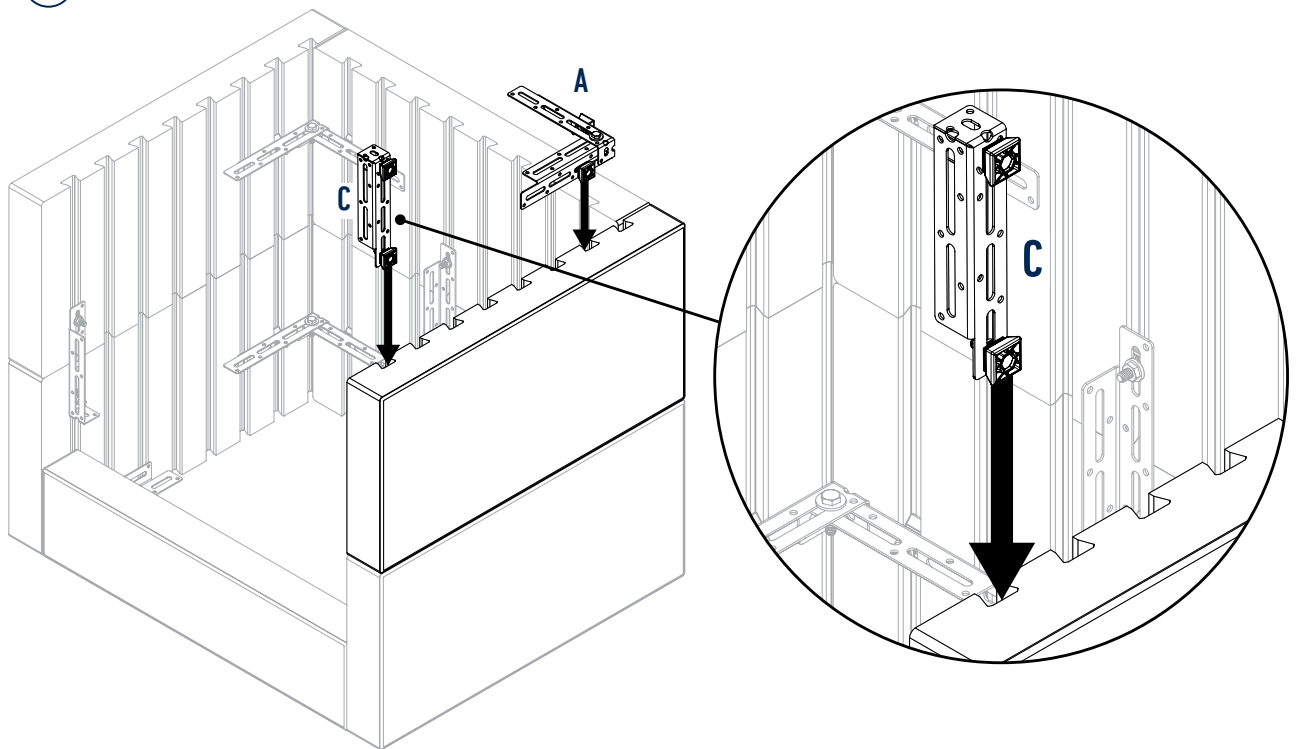


11



Install Bracket A
flat side up to hold
the shelf wood.

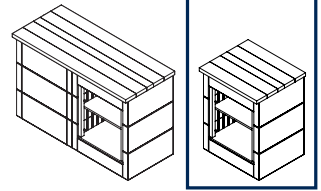
12



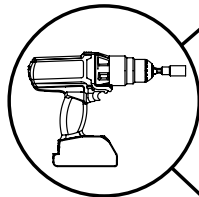
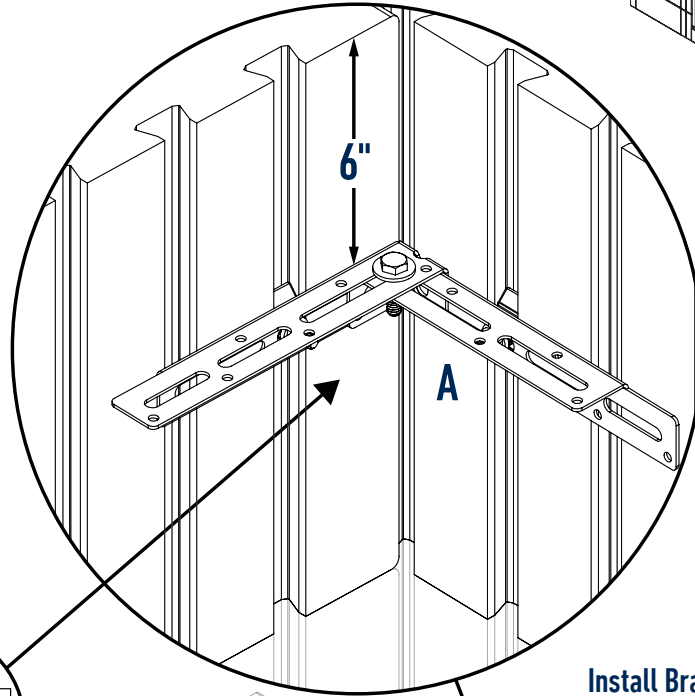


DESIGNFORMS™

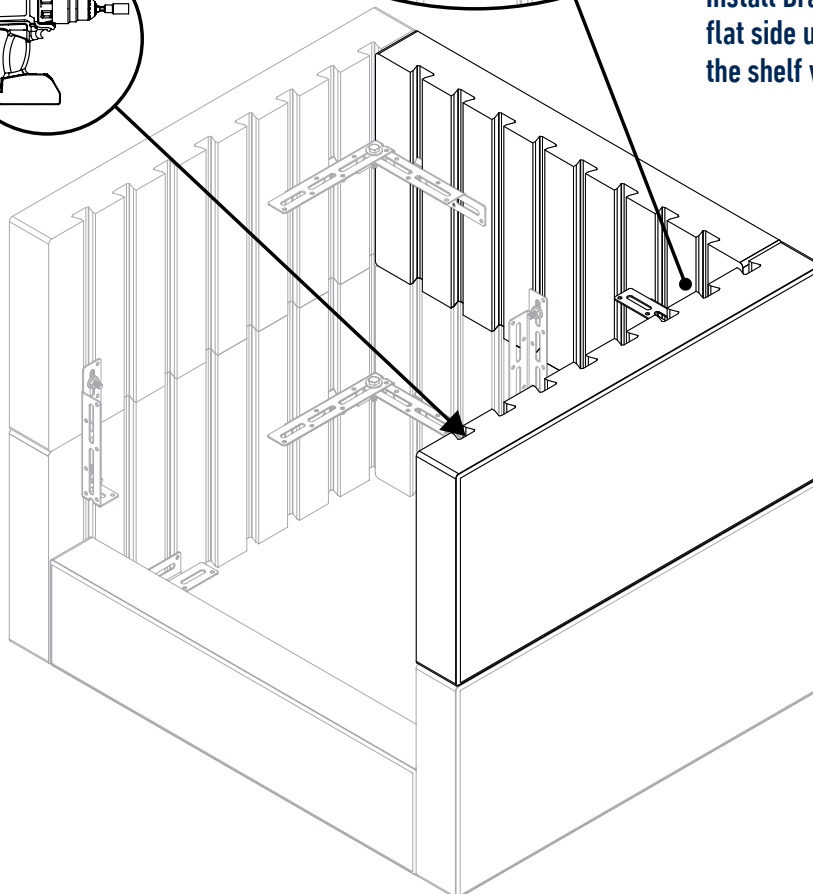
SINGLE COUNTER - SHELVING UNIT

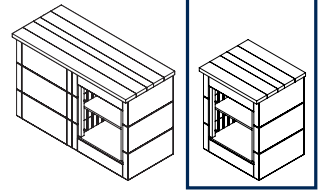


13

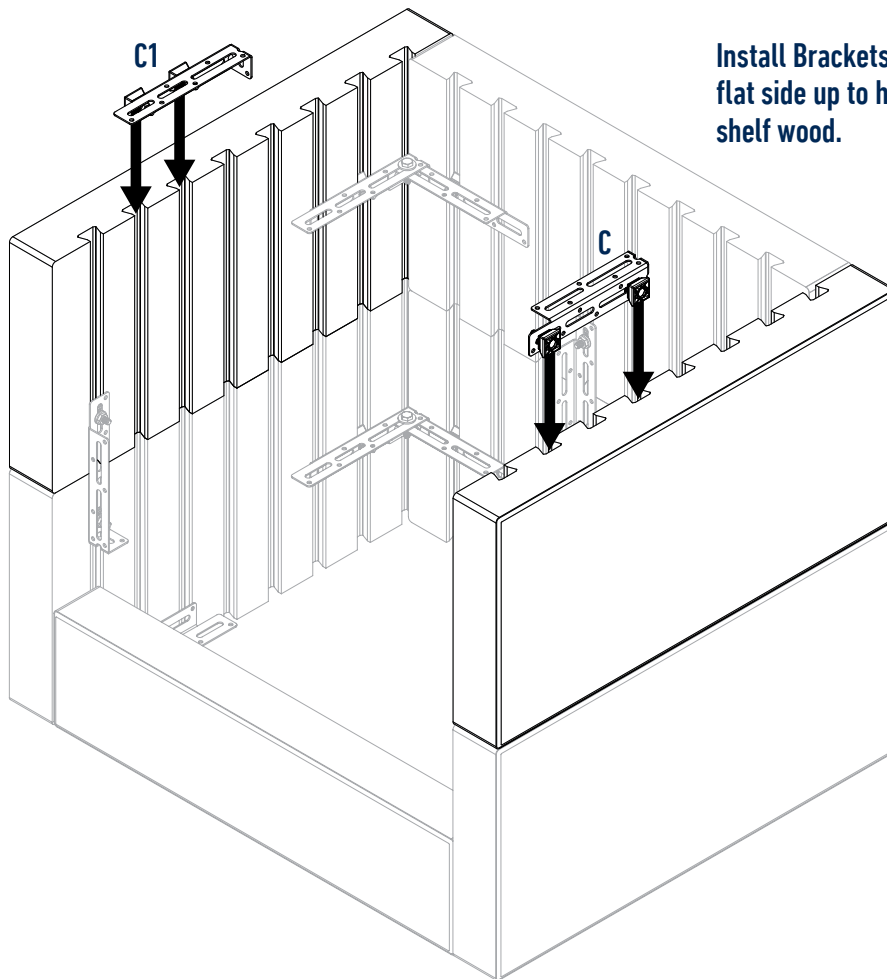


Install Bracket A
flat side up to hold
the shelf wood.

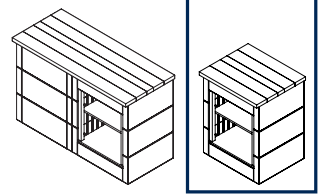




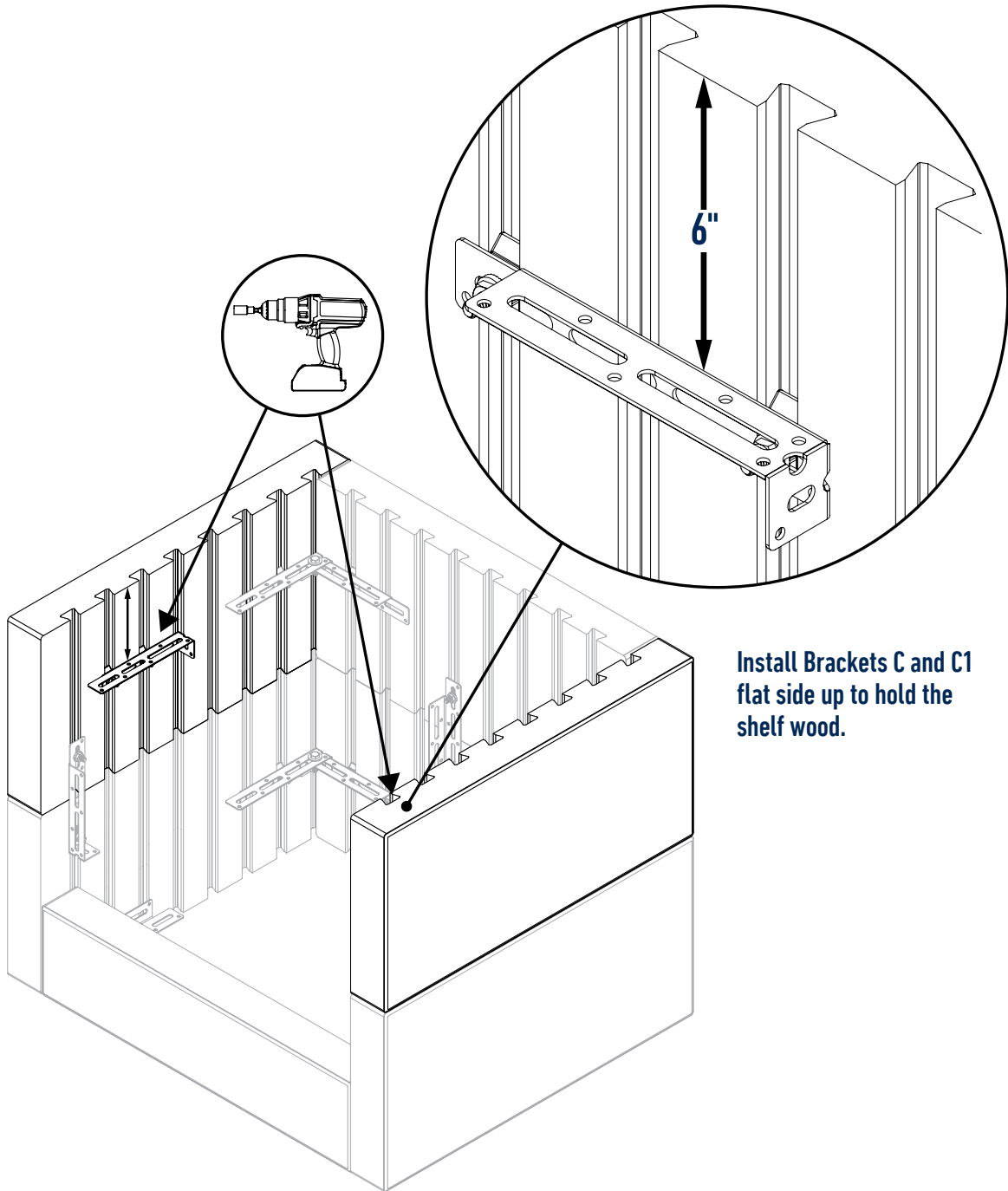
14



Install Brackets C and C1
flat side up to hold the
shelf wood.



15

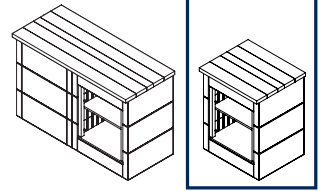


**Install Brackets C and C1
flat side up to hold the
shelf wood.**

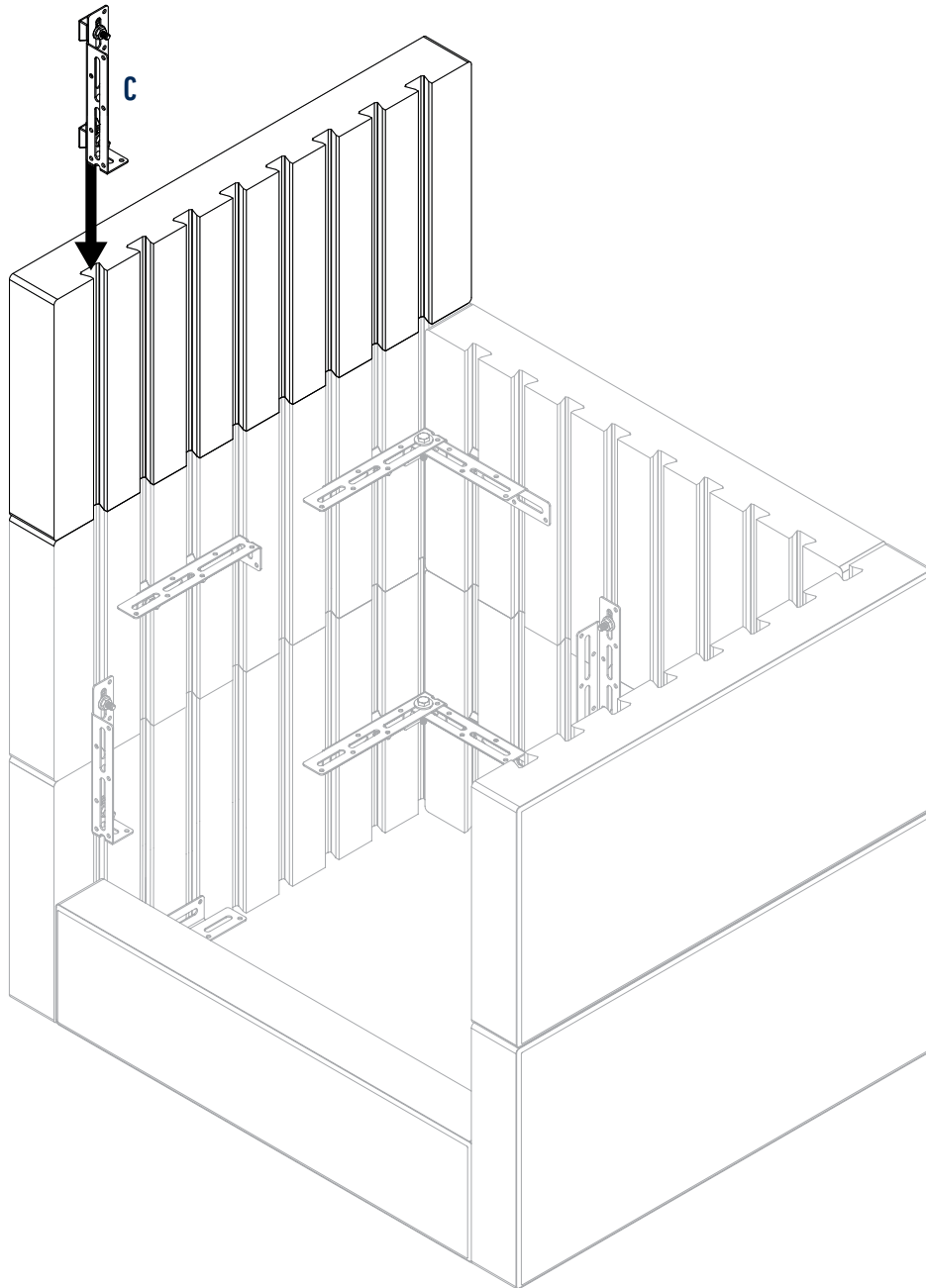


DESIGNFORMS™

SINGLE COUNTER - SHELVING UNIT



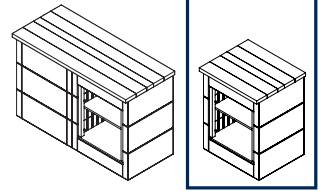
16



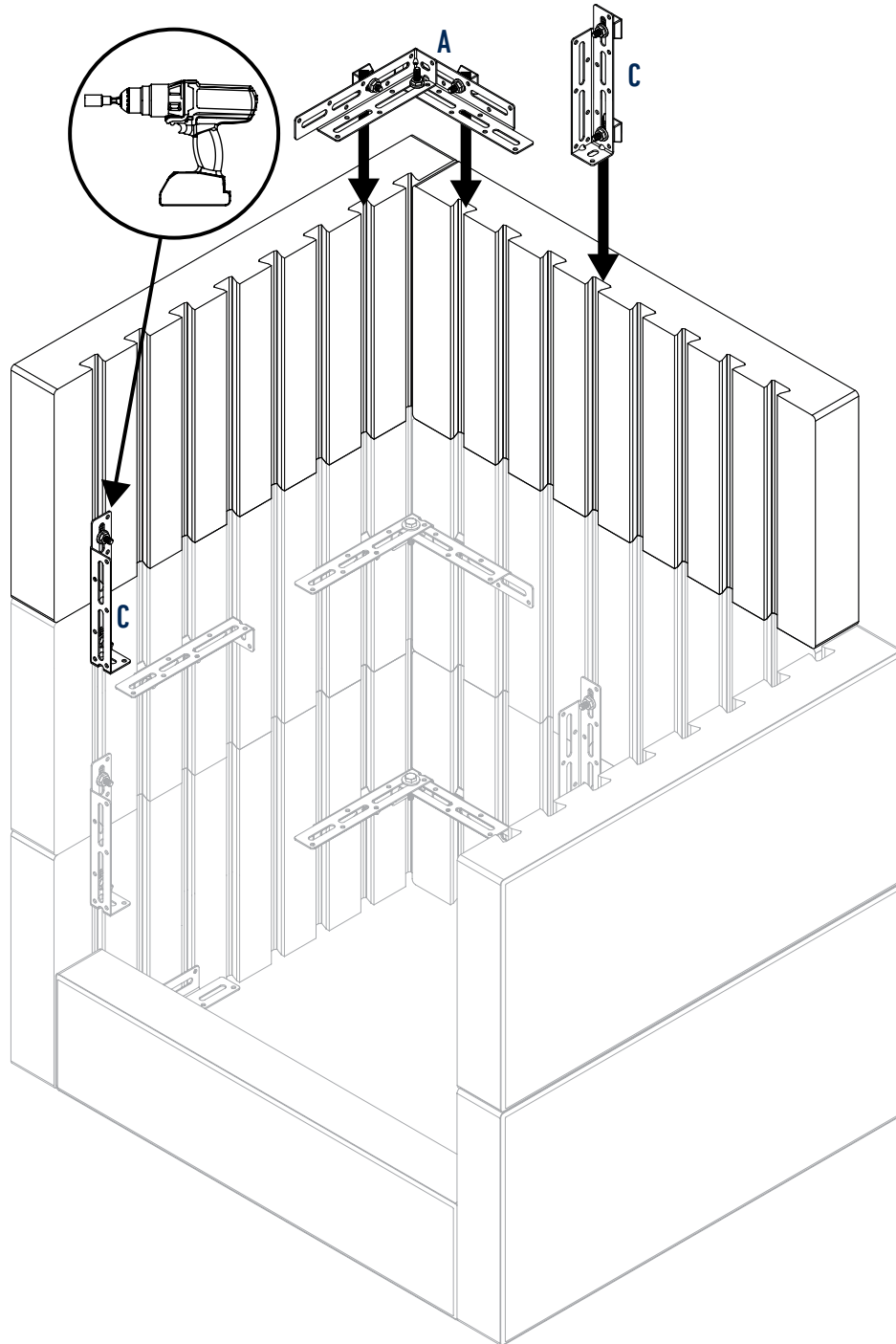


DESIGNFORMS™

SINGLE COUNTER - SHELVING UNIT



17

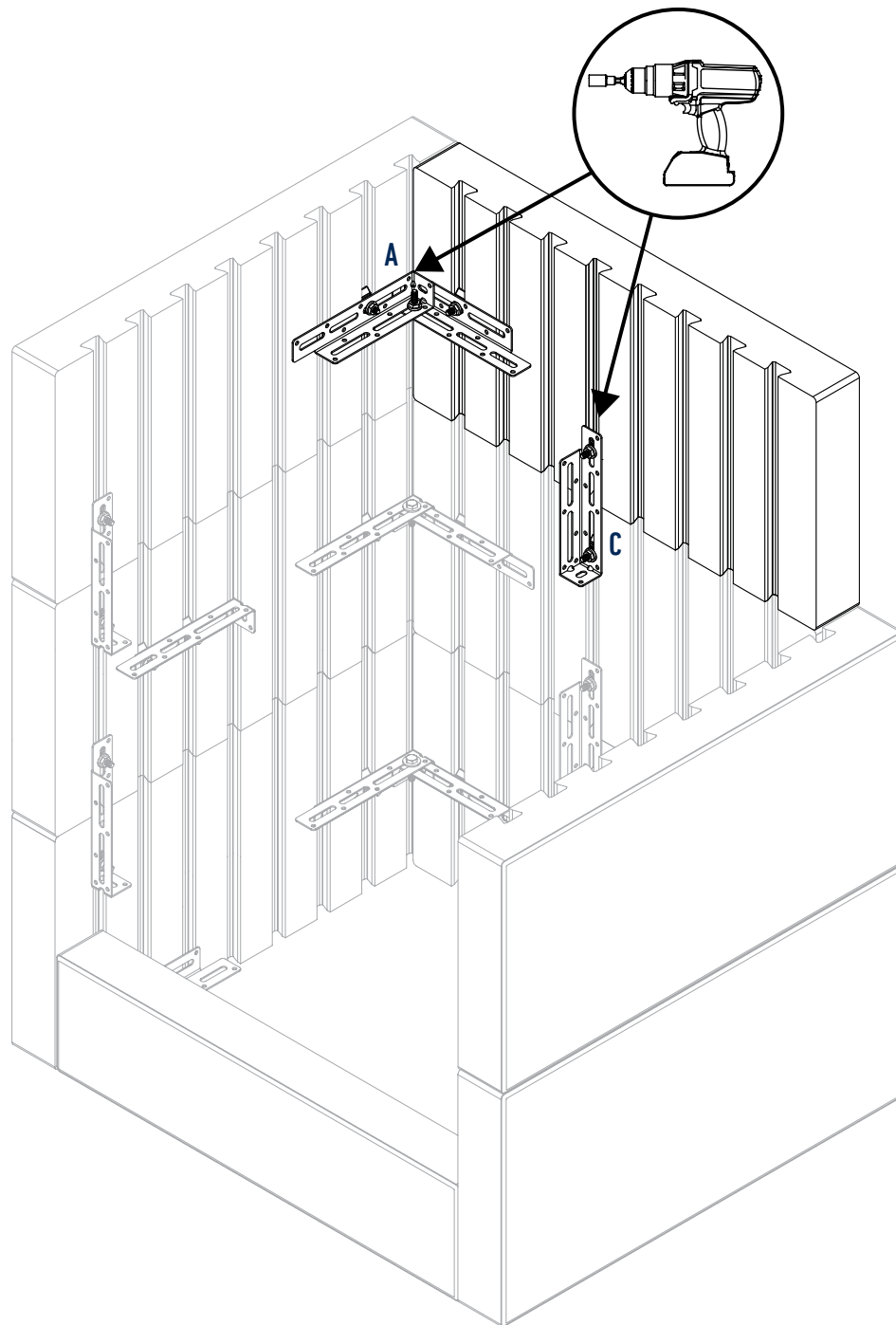
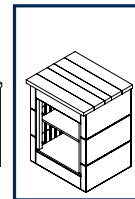
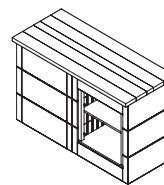




DESIGNFORMS™

SINGLE COUNTER - SHELVING UNIT

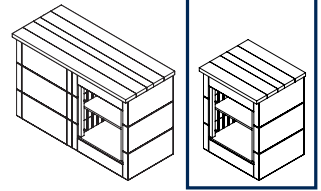
18



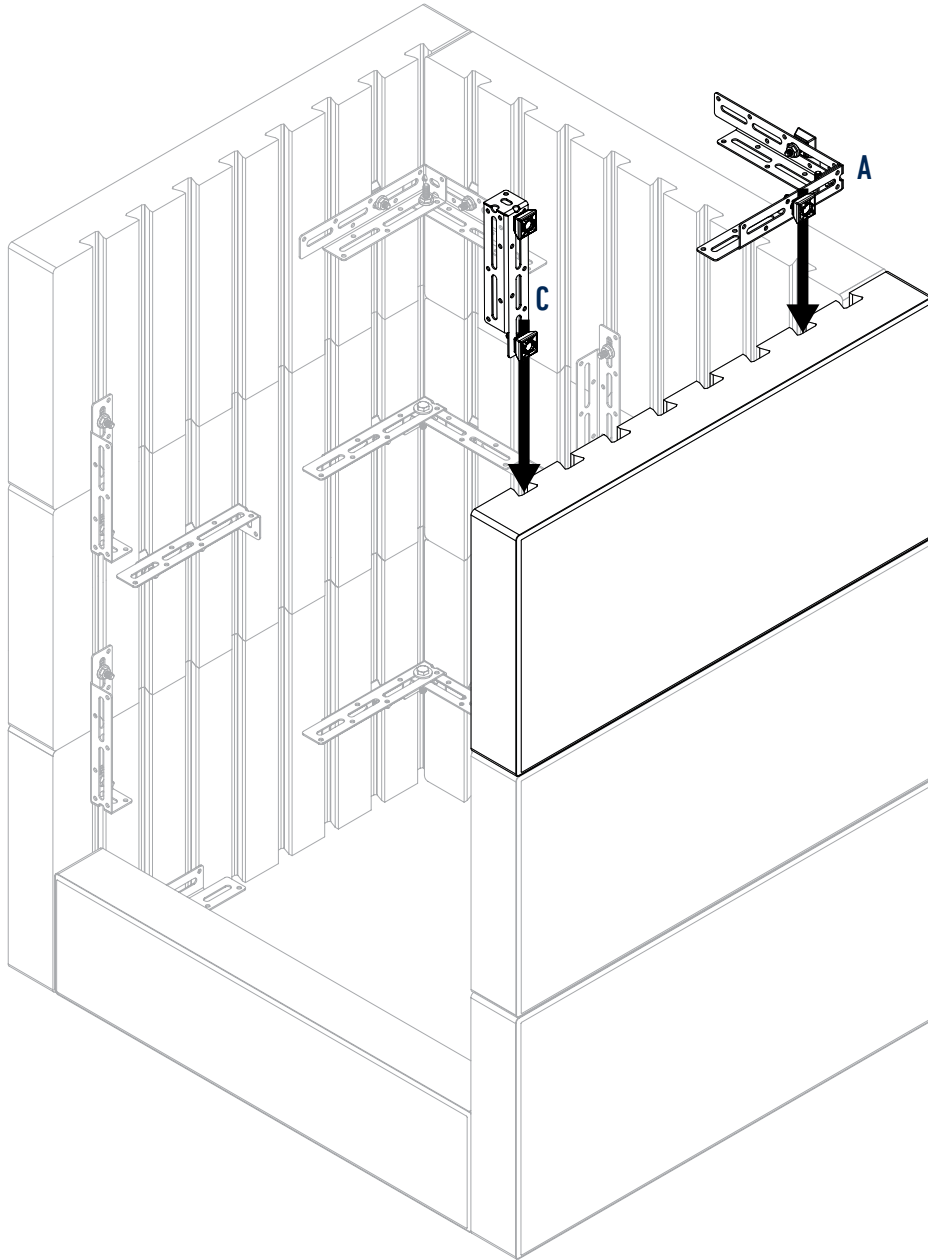


DESIGNFORMS™

SINGLE COUNTER - SHELVING UNIT



19

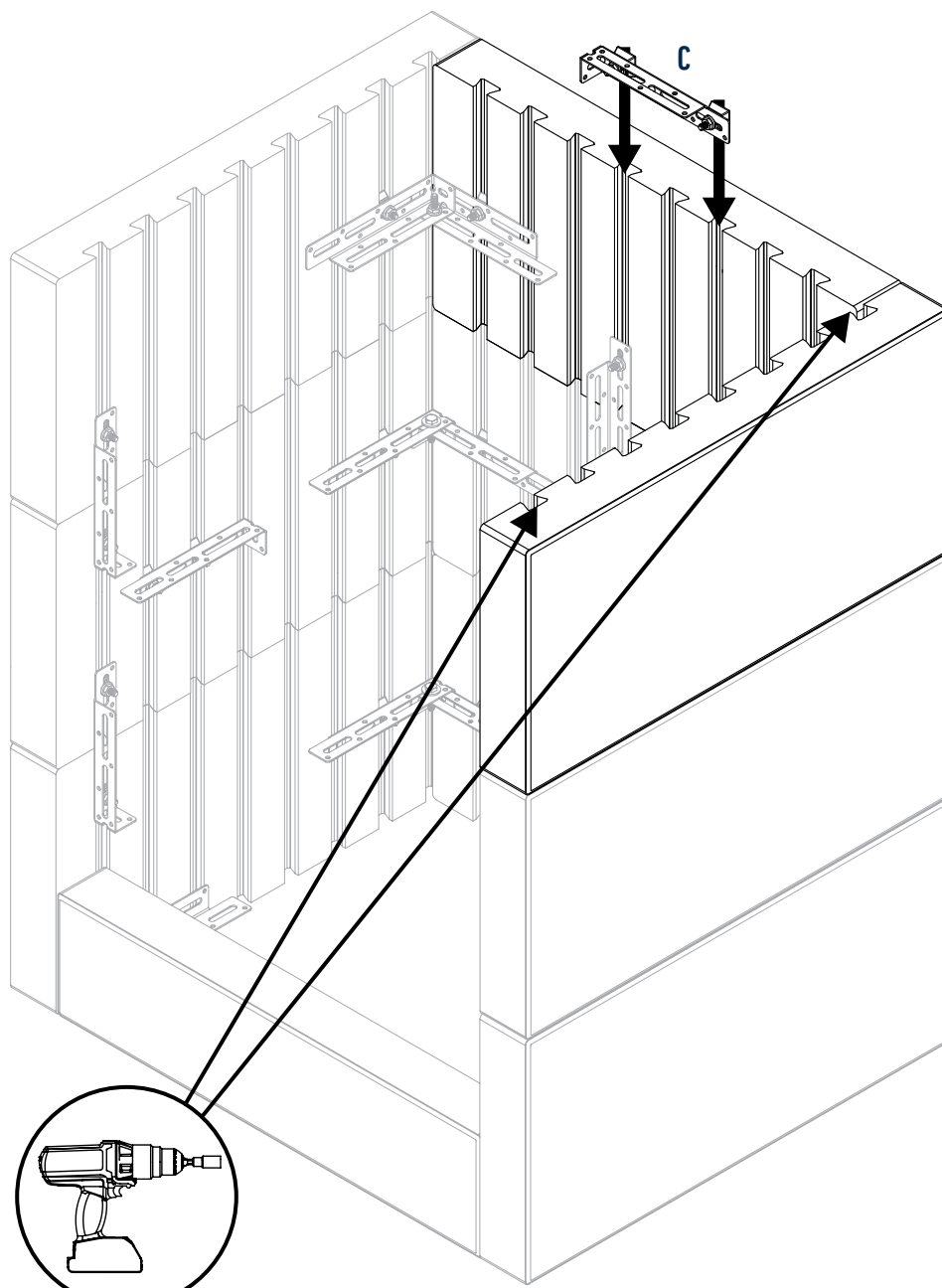
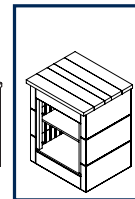
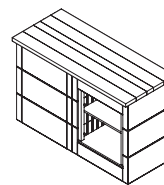




DESIGNFORMS™

SINGLE COUNTER - SHELVING UNIT

20

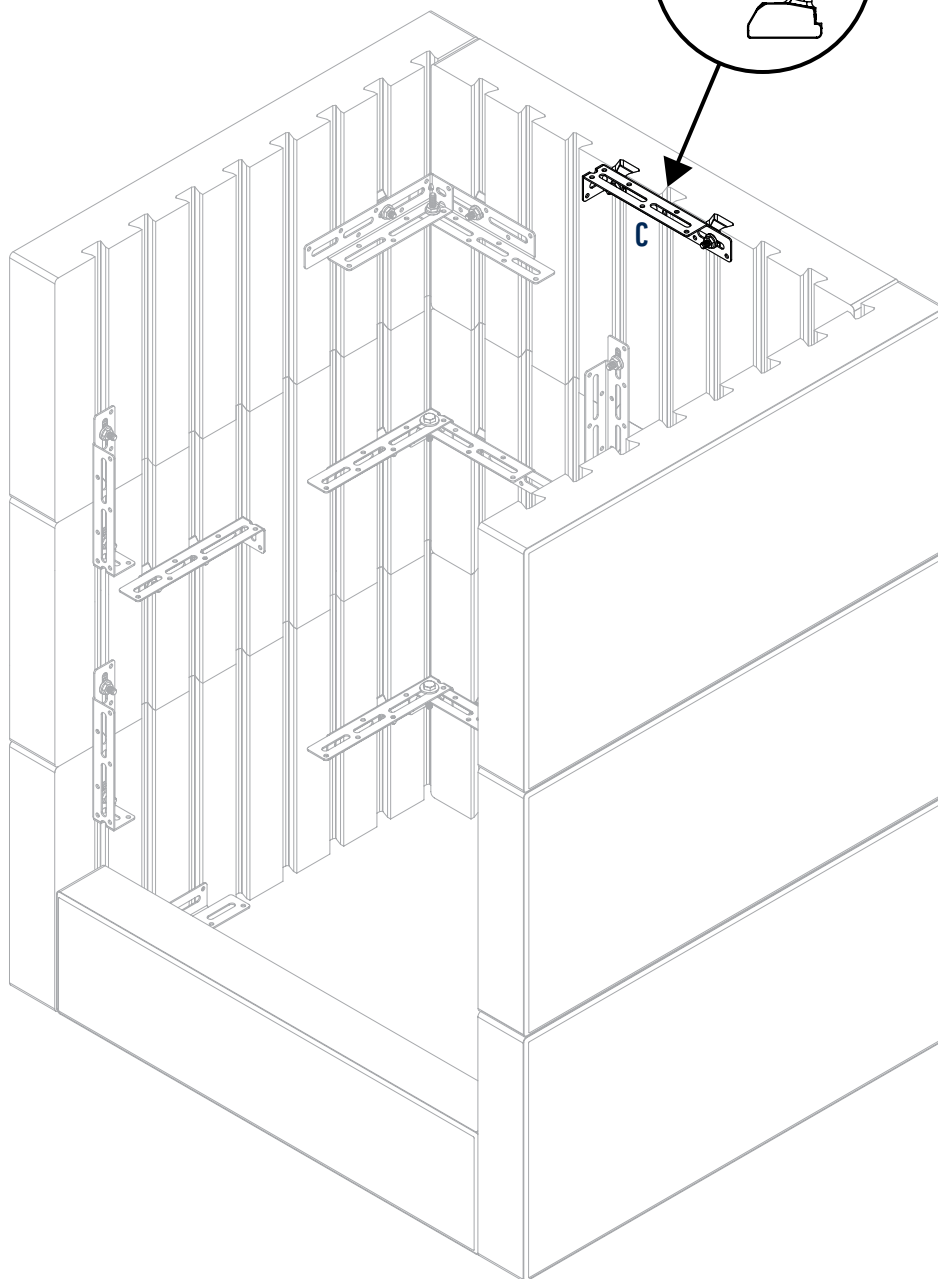
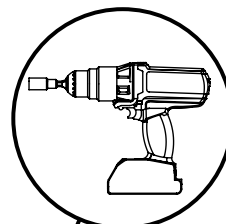
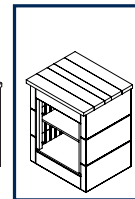
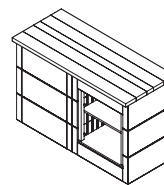


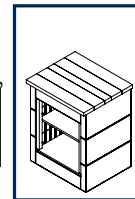
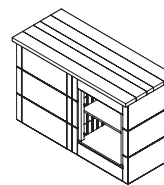


DESIGNFORMS™

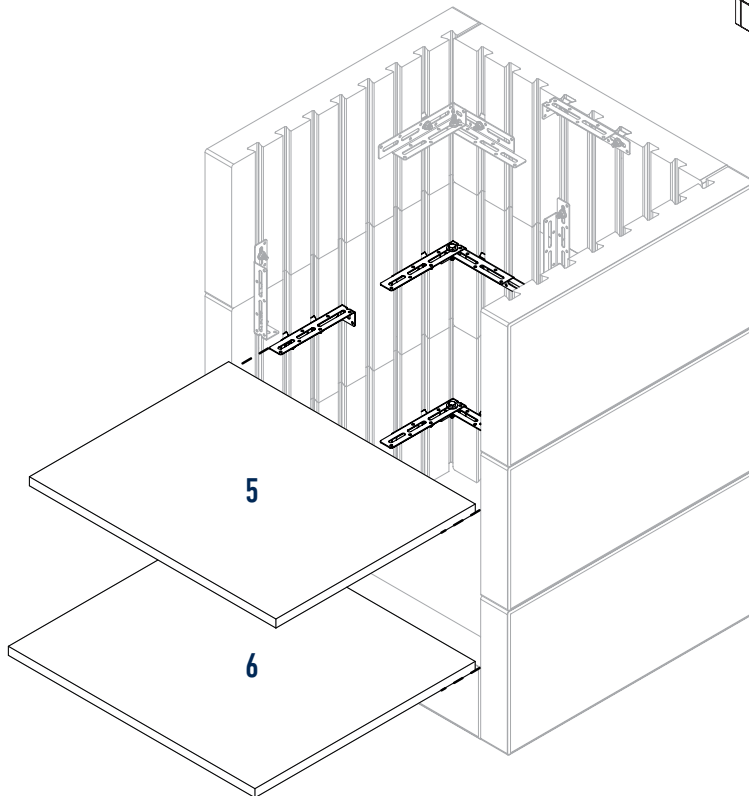
SINGLE COUNTER - SHELVING UNIT

21

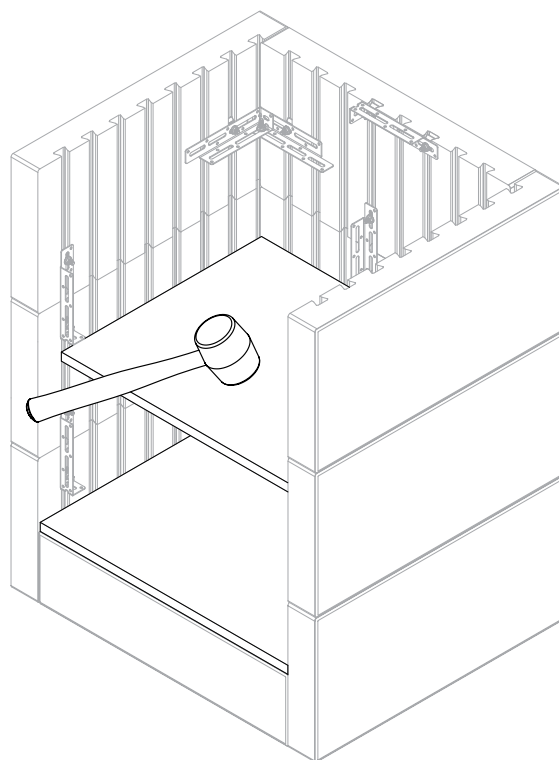




22



23

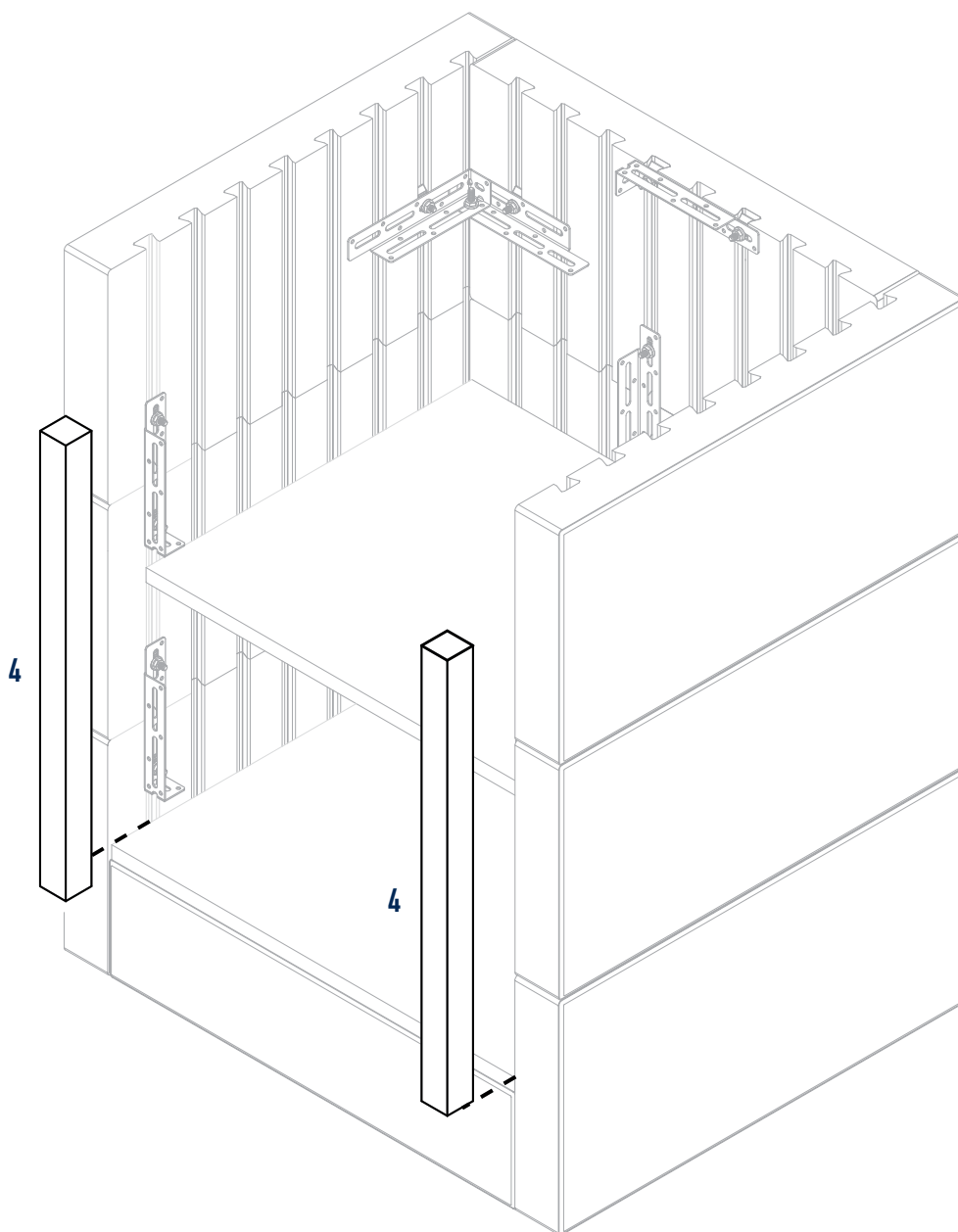
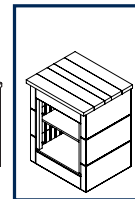
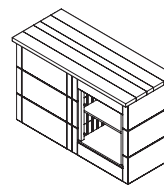




DESIGNFORMS™

SINGLE COUNTER - SHELVING UNIT

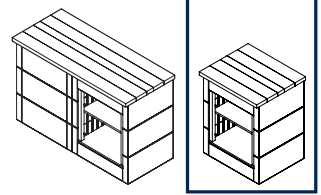
24



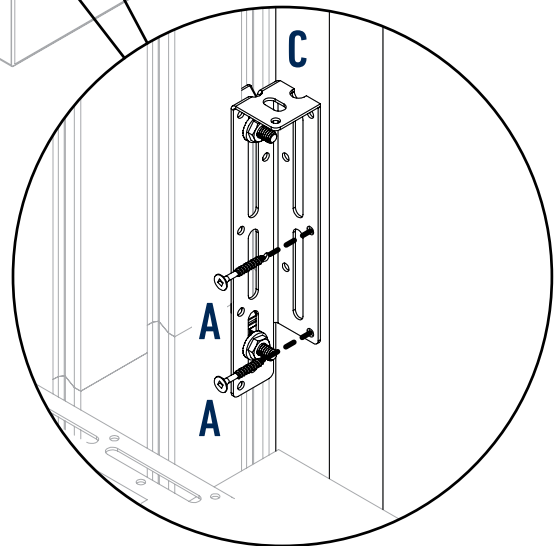
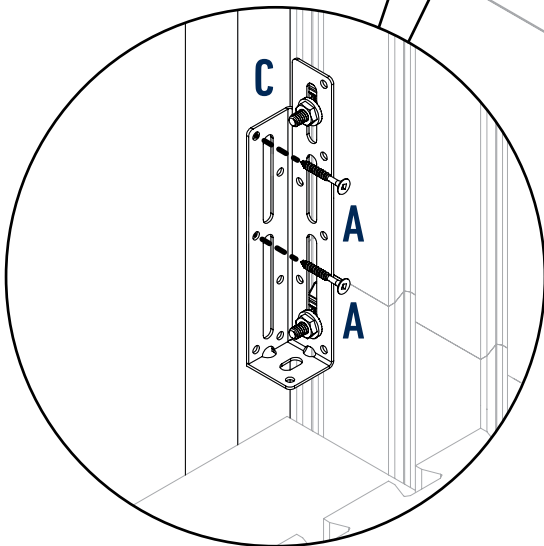
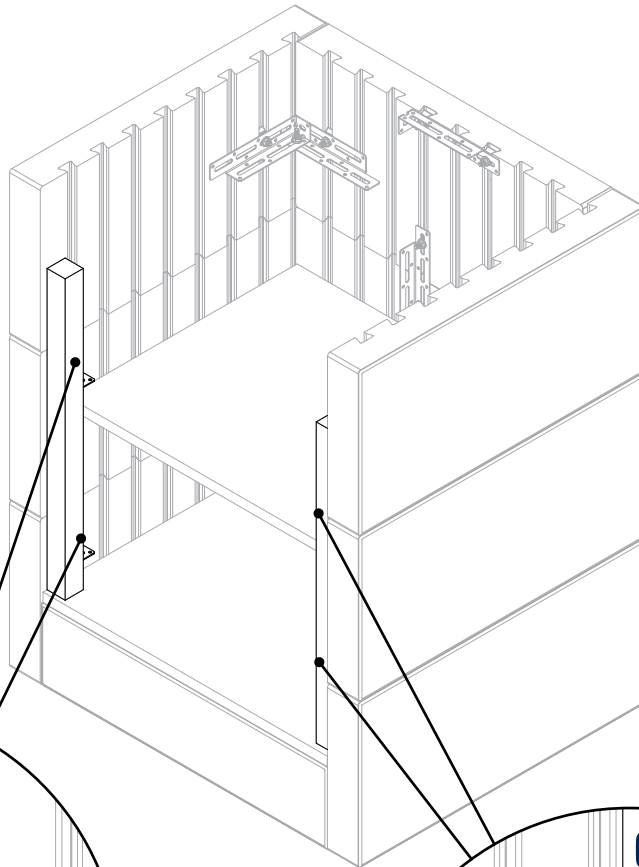


DESIGNFORMS™

SINGLE COUNTER - SHELVING UNIT



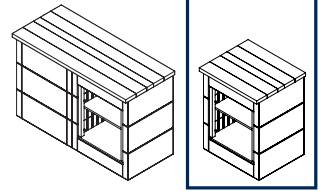
25



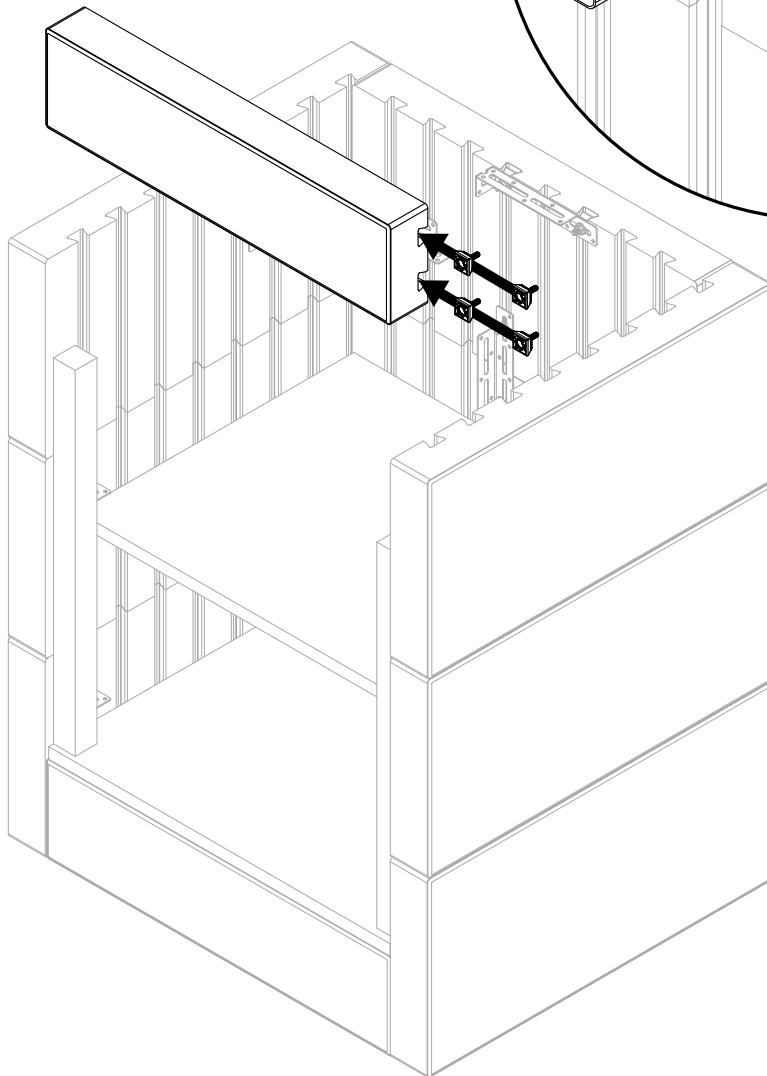
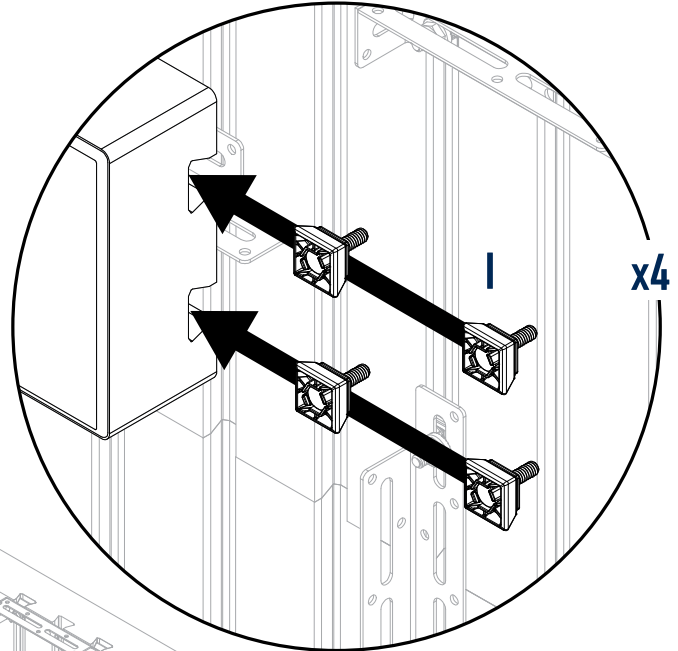


DESIGNFORMS™

SINGLE COUNTER - SHELVING UNIT



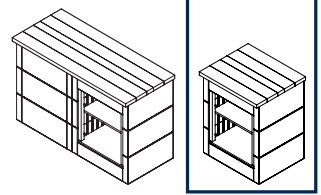
26



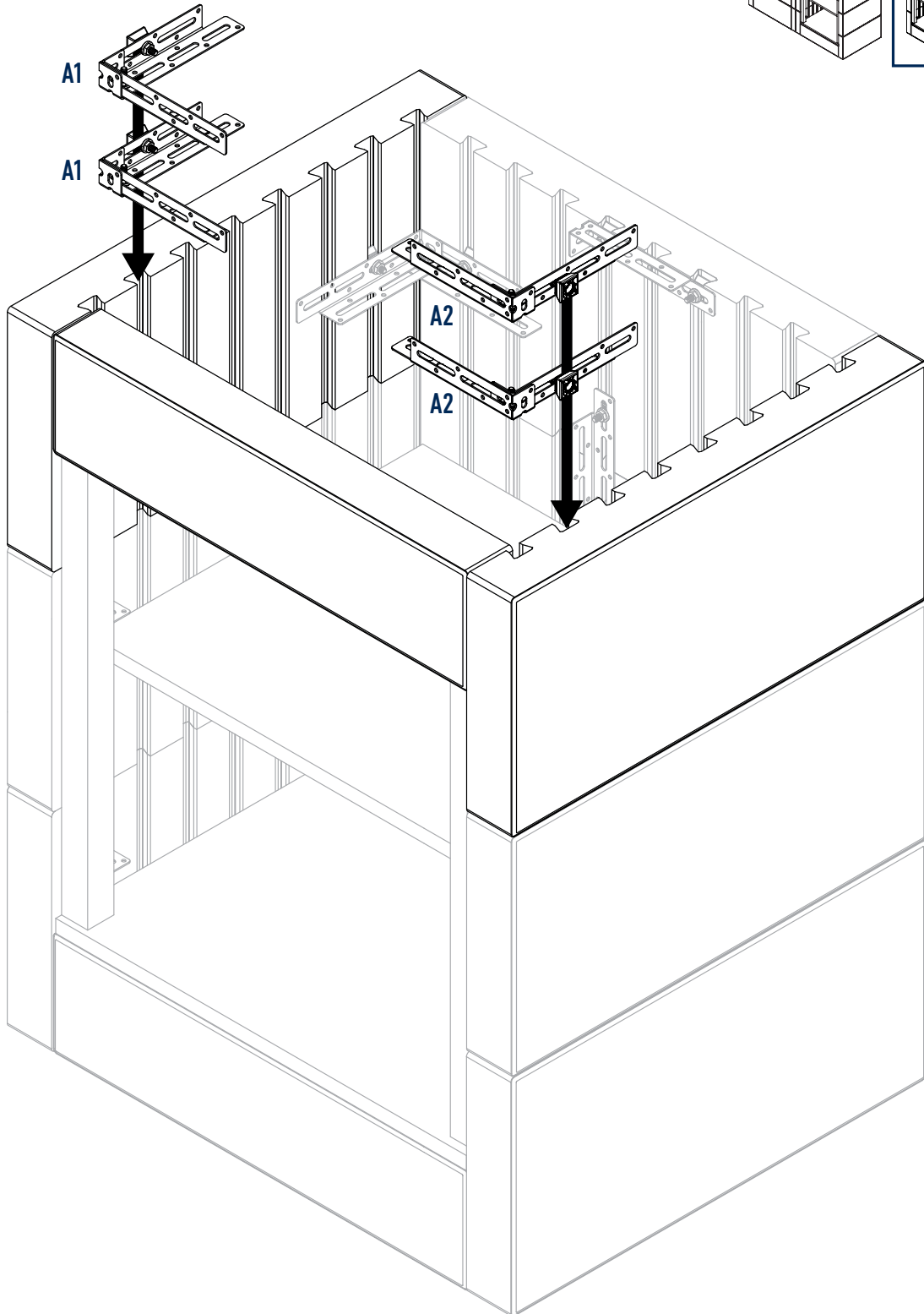


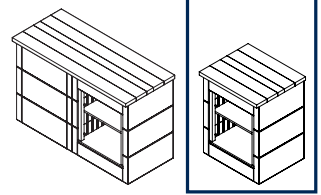
DESIGNFORMS™

SINGLE COUNTER - SHELVING UNIT

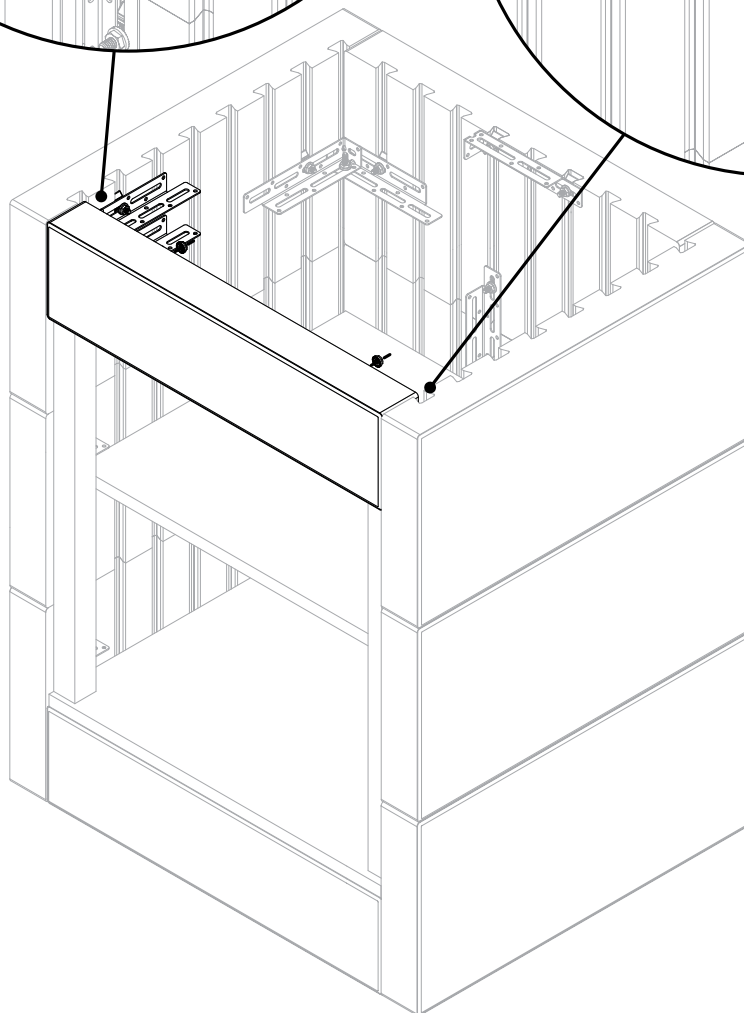
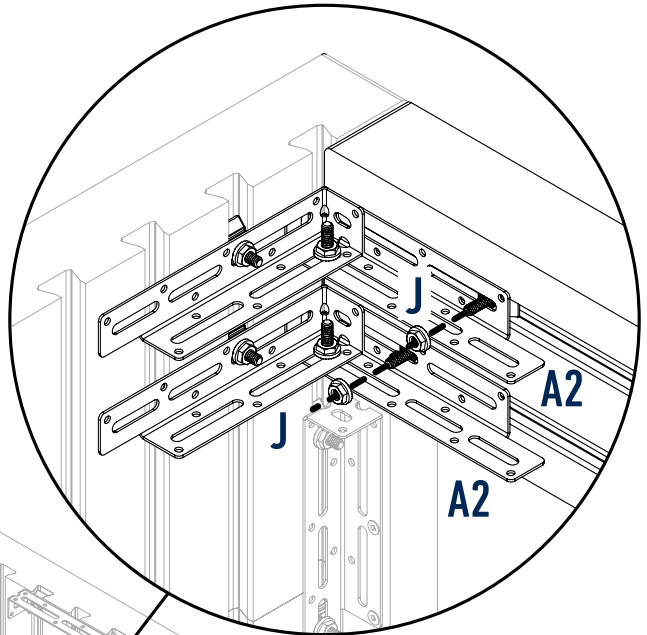
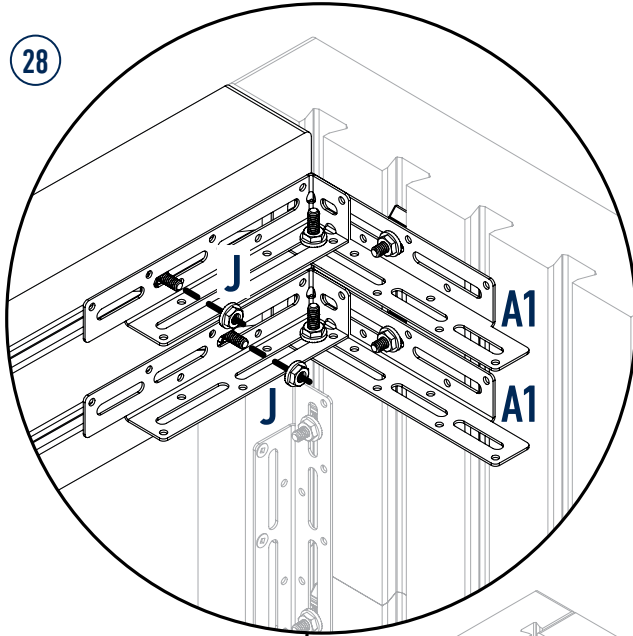


27



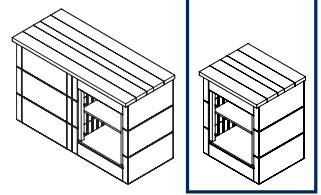


28

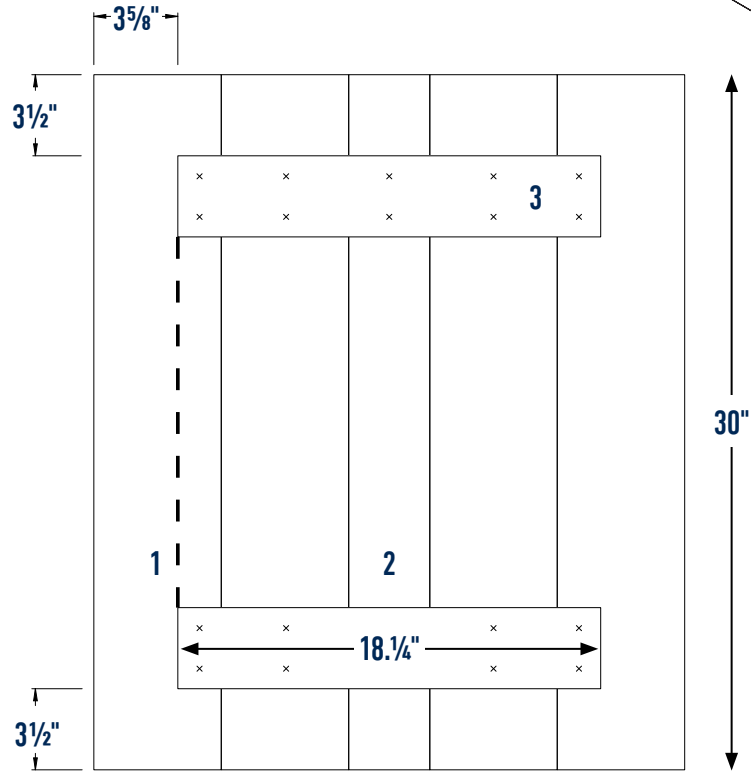




SINGLE COUNTER - SHELVING UNIT

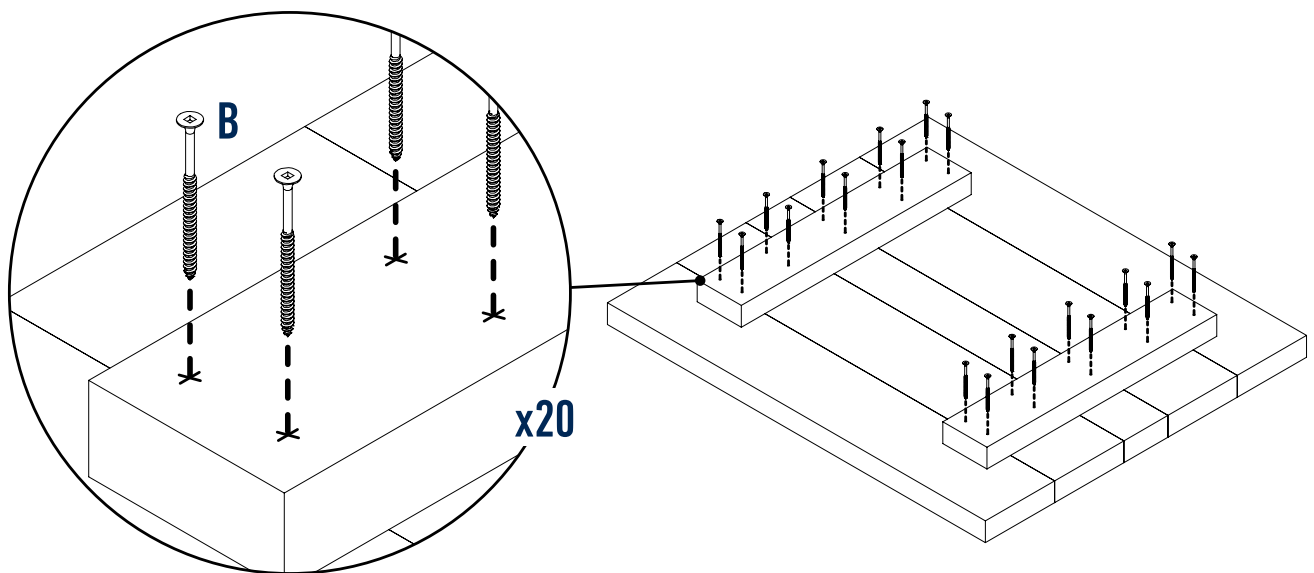


29



30

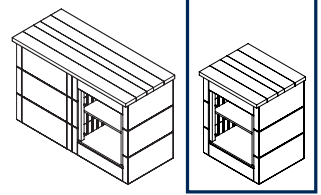
Center 2" x 4" between sides when constructing top



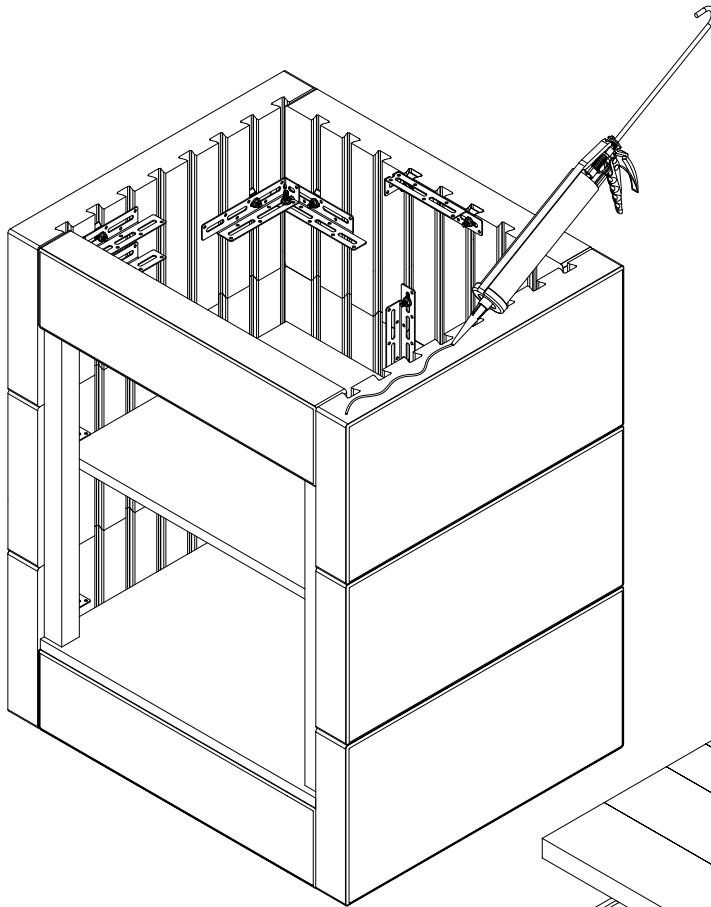


DESIGNFORMS™

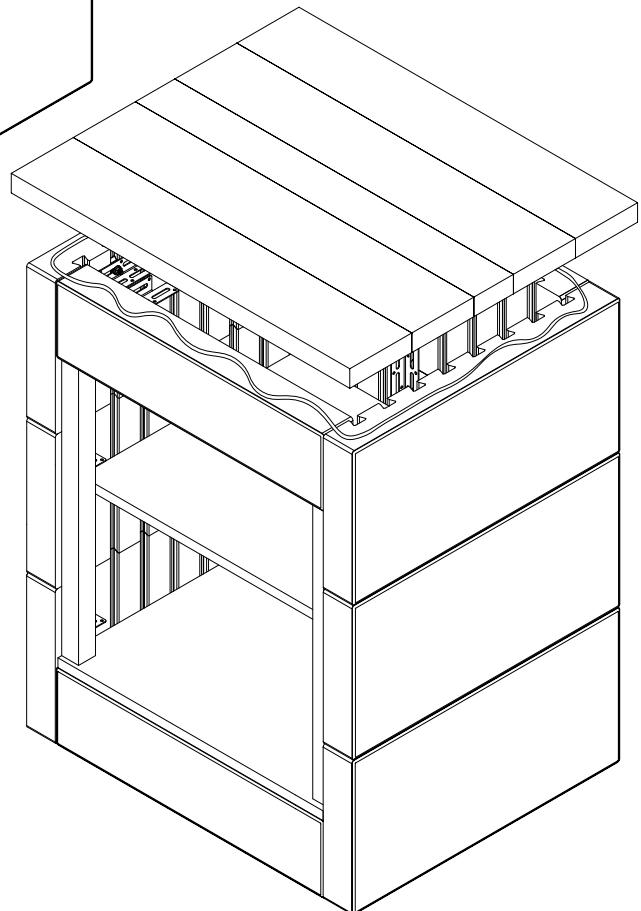
SINGLE COUNTER - SHELVING UNIT



32



33





DESIGNFORMS™

SINGLE COUNTER - SHELVING UNIT

34

