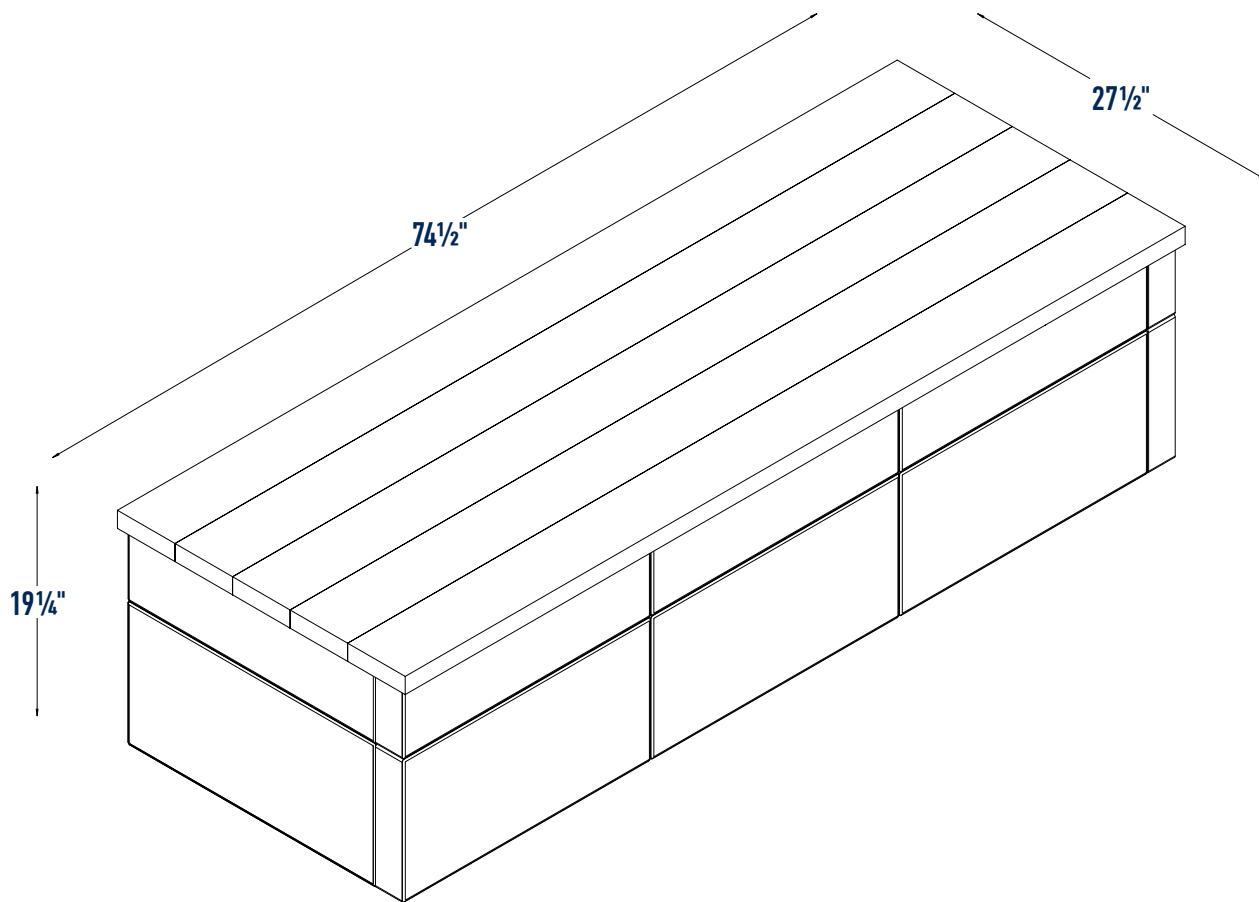




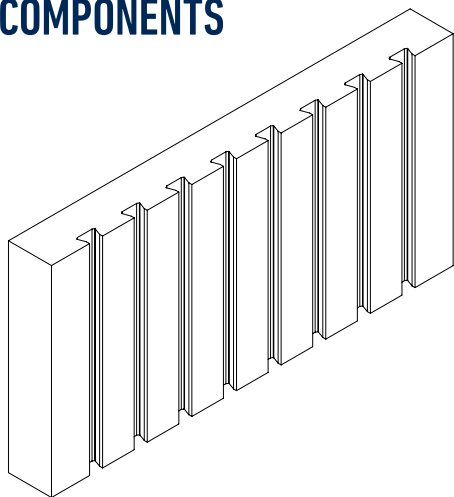
# DESIGNFORMS™



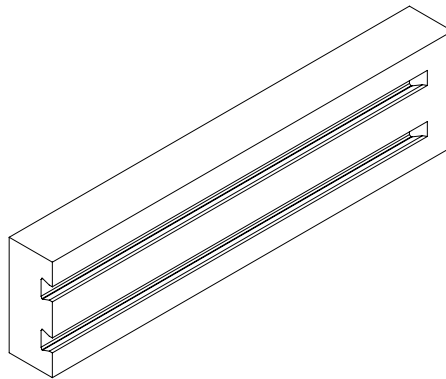
**6 FT BENCH  
- WOOD TOP**



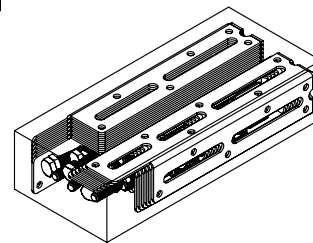
### COMPONENTS



**Large Panel (x8)**  
12" x 24"

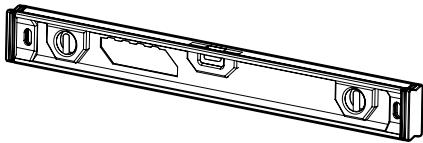


**Small Panel (x8)**  
6" x 24"

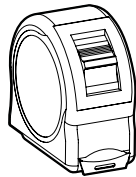


**Hardware Kit (x3)**

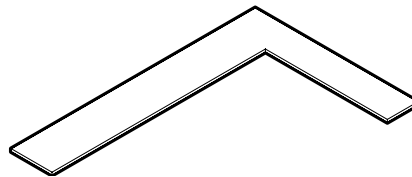
**REQUIRED TOOLS**



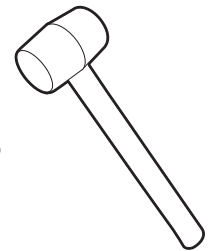
**LEVEL**



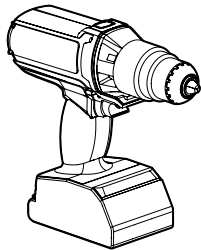
**MEASURING TAPE**



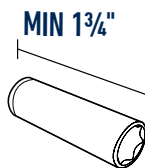
**CARPENTER SQUARE**



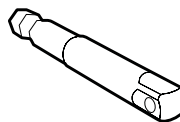
**RUBBER Mallet**



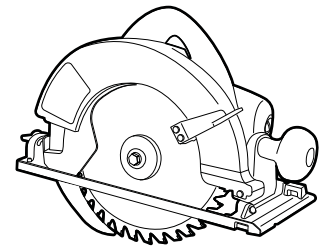
**DRILL**



**DEEP HEX SOCKET  
7/16" WITH 1/4" DRIVE**



**SOCKET ADAPTOR  
1/4" HEX SHANK TO 1/4" DRIVE**

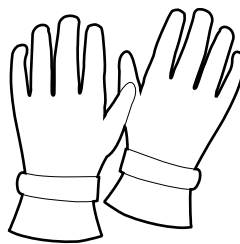


**SKILL SAW**

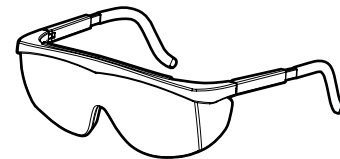
**SAFETY EQUIPMENT**



**SAFETY BOOTS**



**GLOVES**

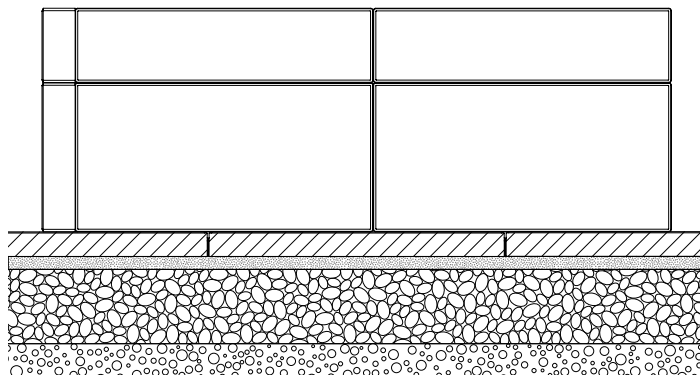


**SAFETY GLASSES**

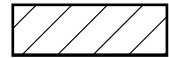
**BASE PREPARATION**

ALWAYS LEVEL GROUND BEFORE INSTALLATION

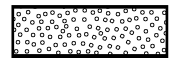
**ON NEW OR EXISTING PATIO**



**SLAB OR PAVER**



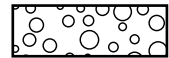
**BEDDING SAND 1"**



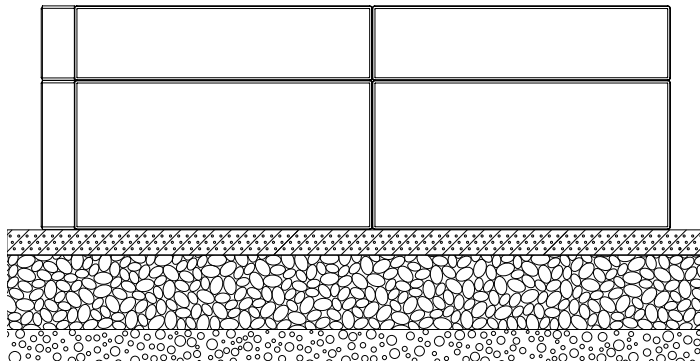
**COMPACTED AGGREGATES 6" - 8"**



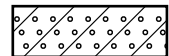
**SOIL**



**ON POURED CONCRETE**



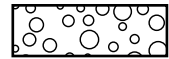
**REINFORCED POURED CONCRETE FOUNDATION 2"**



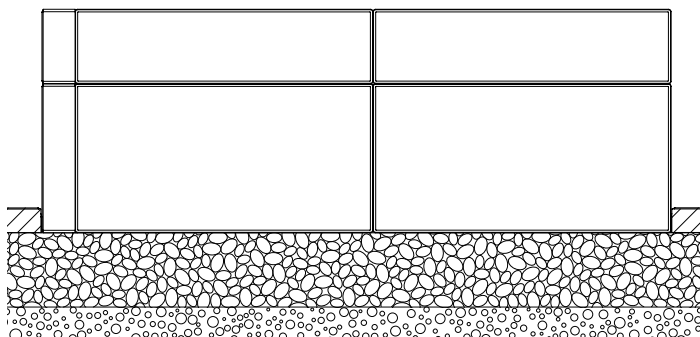
**COMPACTED AGGREGATES 6" - 8"**



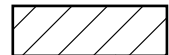
**SOIL**



**ON COMPACTED FOUNDATION**



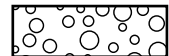
**SLAB OR PAVER**



**COMPACTED AGGREGATES 6" - 8"**



**SOIL**





## TIPS & TRICKS

### READ ALL INSTRUCTIONS BEFORE ASSEMBLY

#### PREBUILD:

- Prebuild all hardware prior to starting build.
- When assembling hardware SNAP the bolt into place with the plastic sliders. Pressing down on something flat and hard will help. (Fig. A)
- Do not over hand tighten the slider/bolt piece and the nut on the completed brackets. They should be loosely attached so they slide into the channels on the panels. Leave a space of ¼ in. (Fig. B)

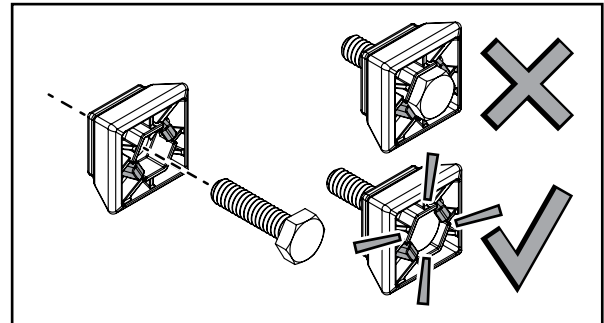


Fig. A

#### INSTALL:

- Always start in the corner when starting a build. (Fig. C)
- Set the drill clutch (torque) at a low level to deliver a torque range of 50-65lbs per inch. Refer to your drill manual for torque adjustment instructions.
- Use a rubber mallet to assist with moving/aligning/adjusting panel placement during assembly.

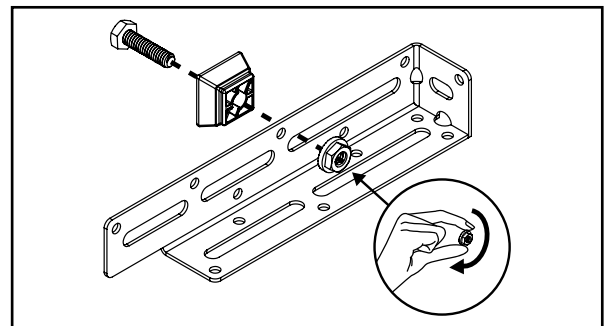


Fig. B

#### WHEN BUILDING WOODEN COMPONENTS:

- Do not exceed prescribed length. Exact measurements are required for proper assembly.
- Ensure your cuts are straight.
- Do not over tighten the screws into the wood - this can cause buckling.
- Pre-drill holes for 45° corner assemblies.
- Use cedar or pressure treated wood for outdoor use.
- Seal wooden components for prolonged use.

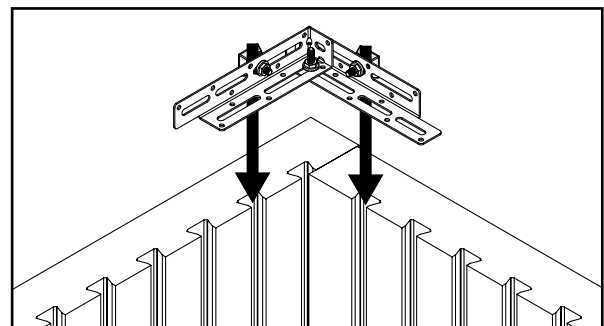


Fig. C

#### WHEN BUILDING PLANTERS:

- Line the inside of the planters or garden beds with a geotextile fabric to help with water management.

**BRACKET A** **x4**

**x2**
**x3**
**x1**
**x3**
**x2**

**BRACKET B** **x4**

**x2**
**x1**
**x1**
**x1**

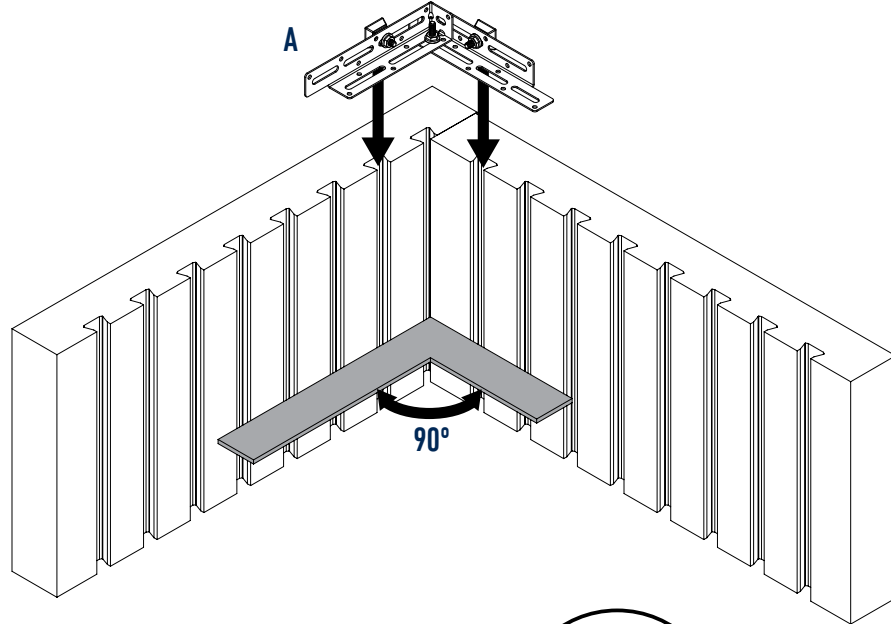
**BRACKET C** **x4**

**x1**
**x2**
**x2**
**x2**

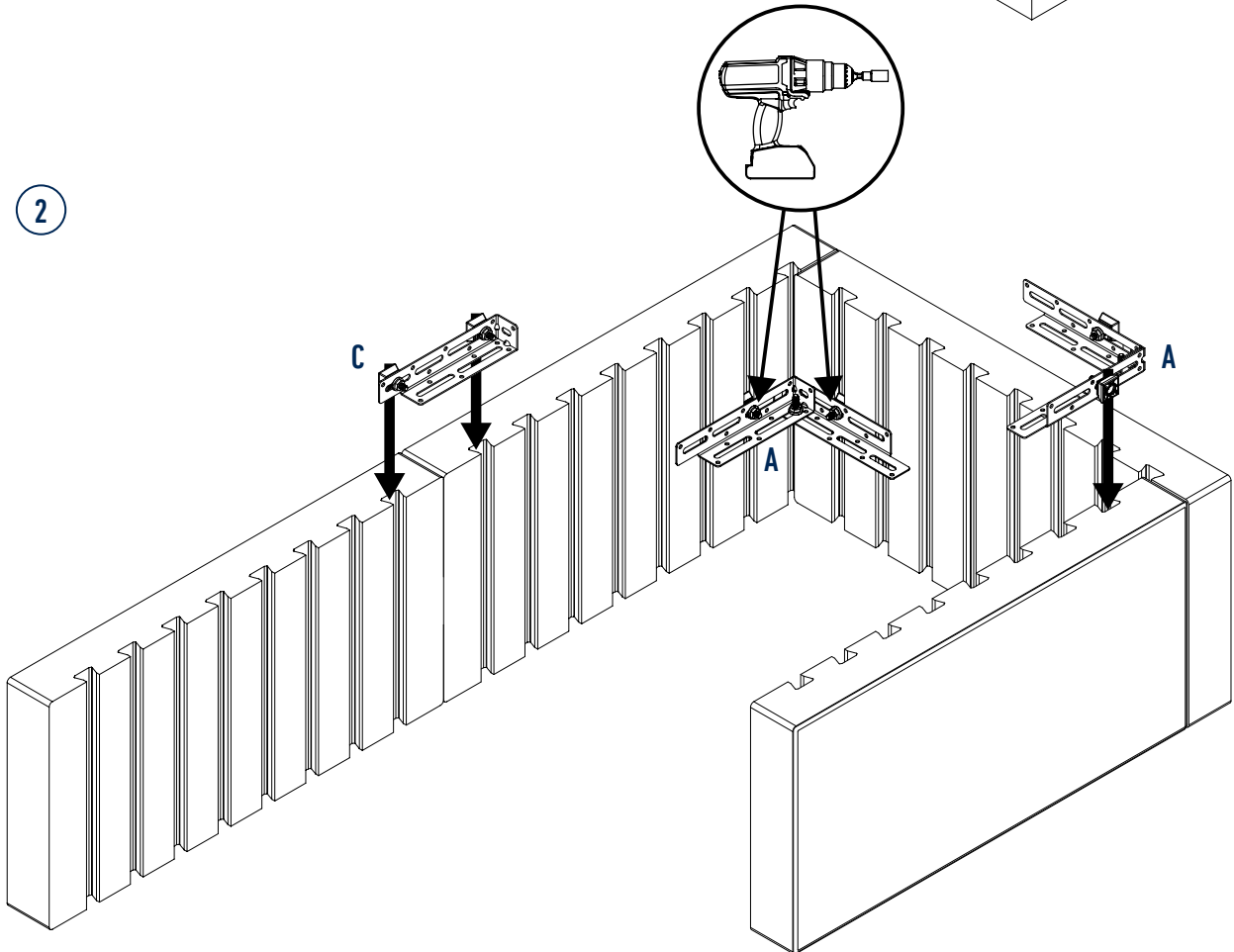
<p><b>BRACKET H</b> <span style="float: right;"><b>x12</b></span></p>	<p><b>ASSEMBLY I</b> <span style="float: right;"><b>x32</b></span></p> <p>Use with <b>BRACKETS B and H</b> during build</p>	<p><b>x1</b></p>	<p><b>x1</b></p>	<p><b>J</b> <span style="float: right;"><b>x32</b></span></p>
		<p><b>1</b></p>		



1

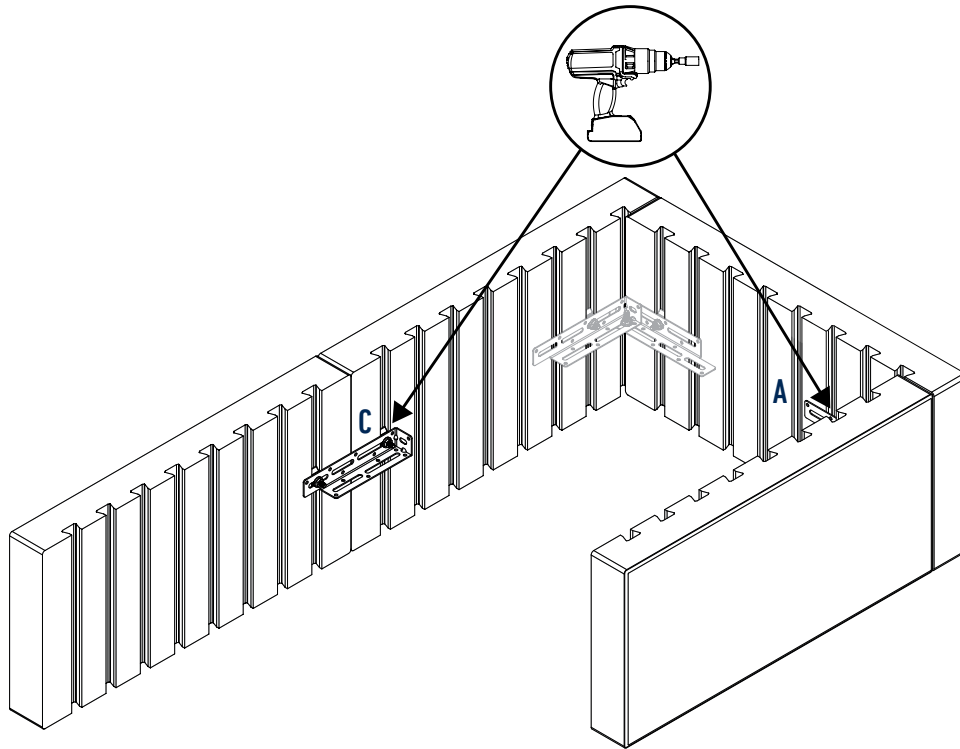


2

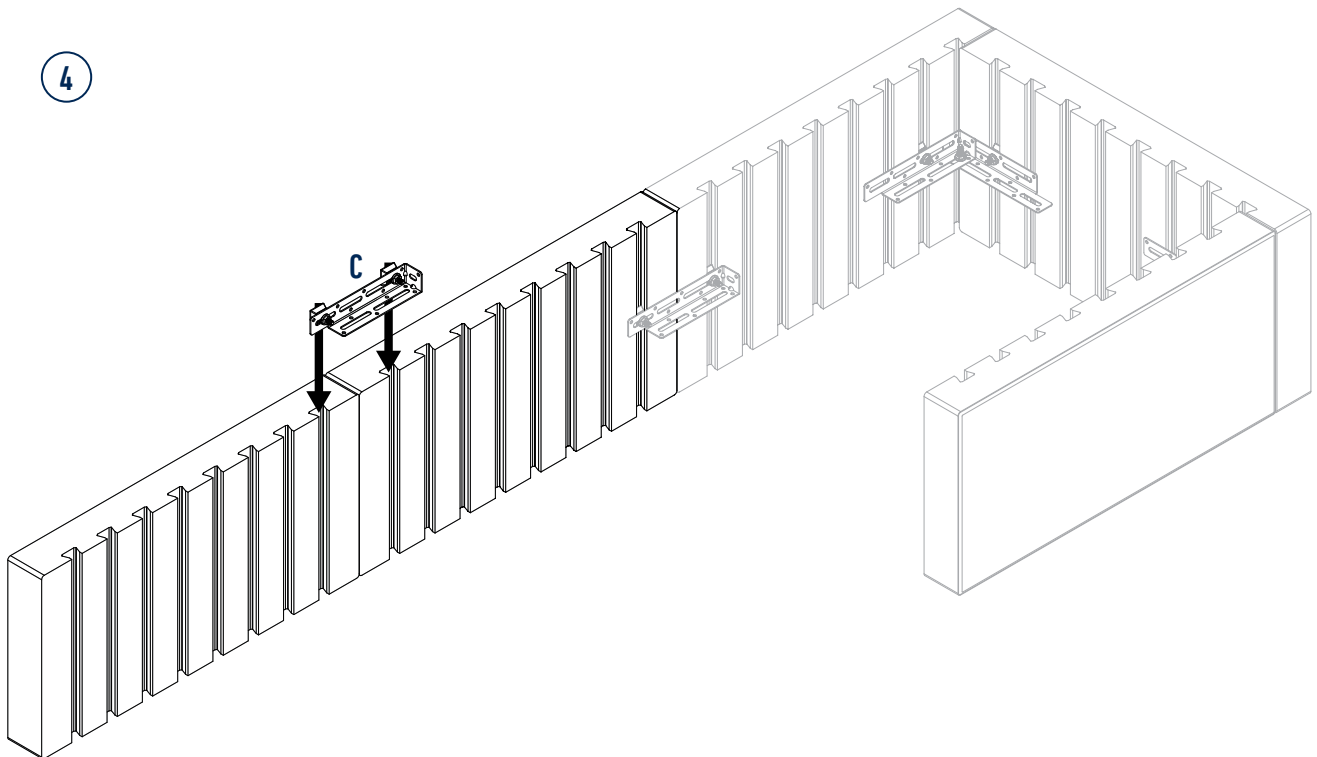




3

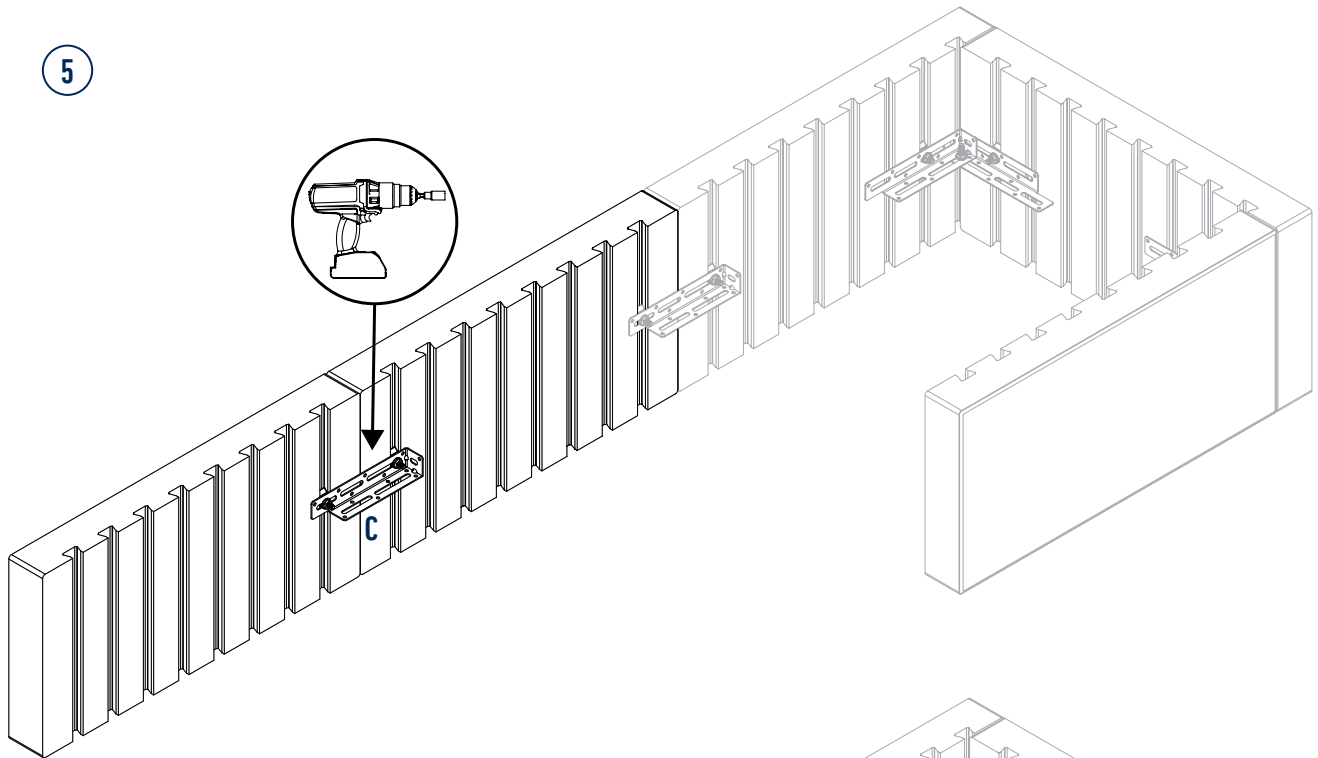


4

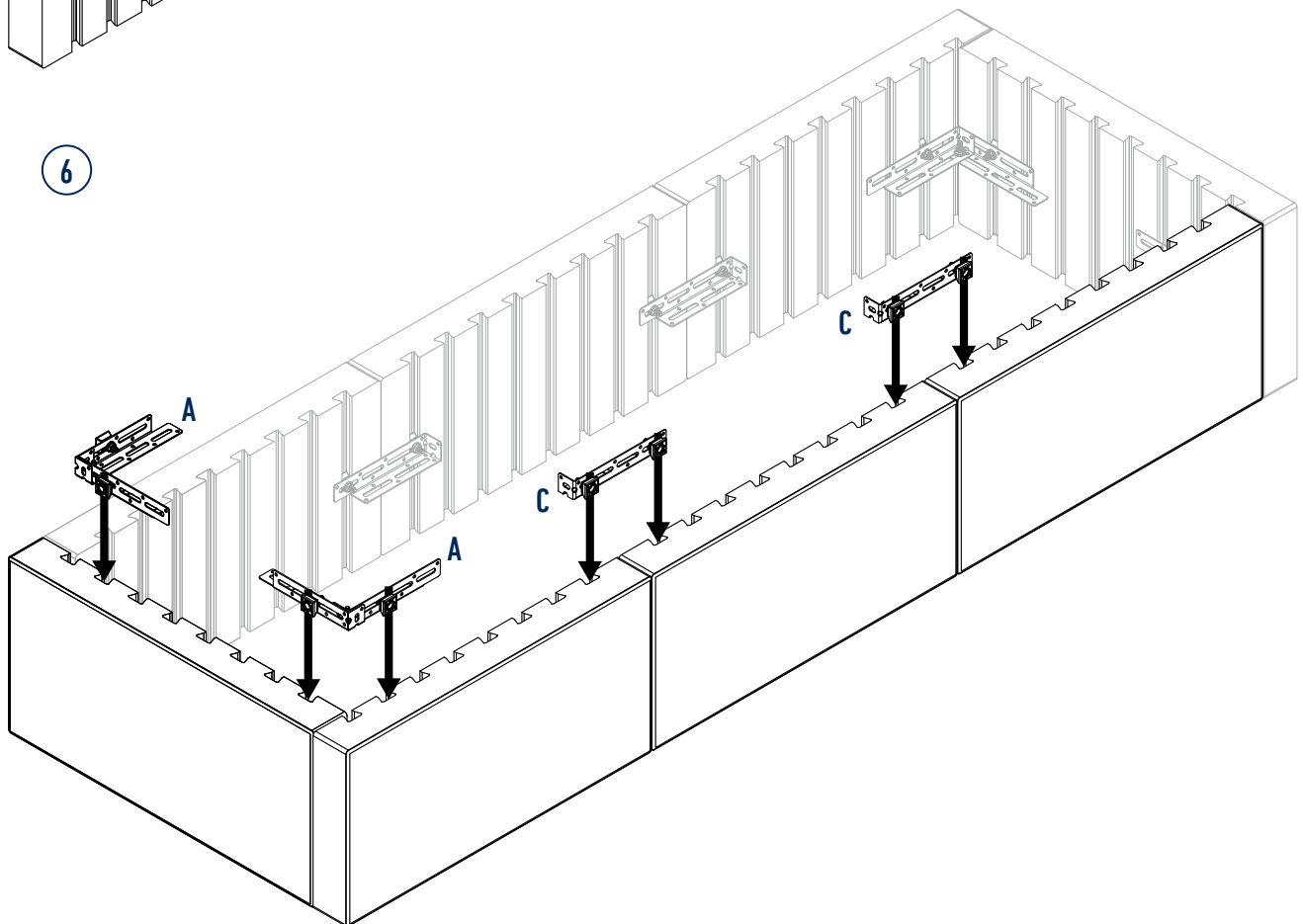




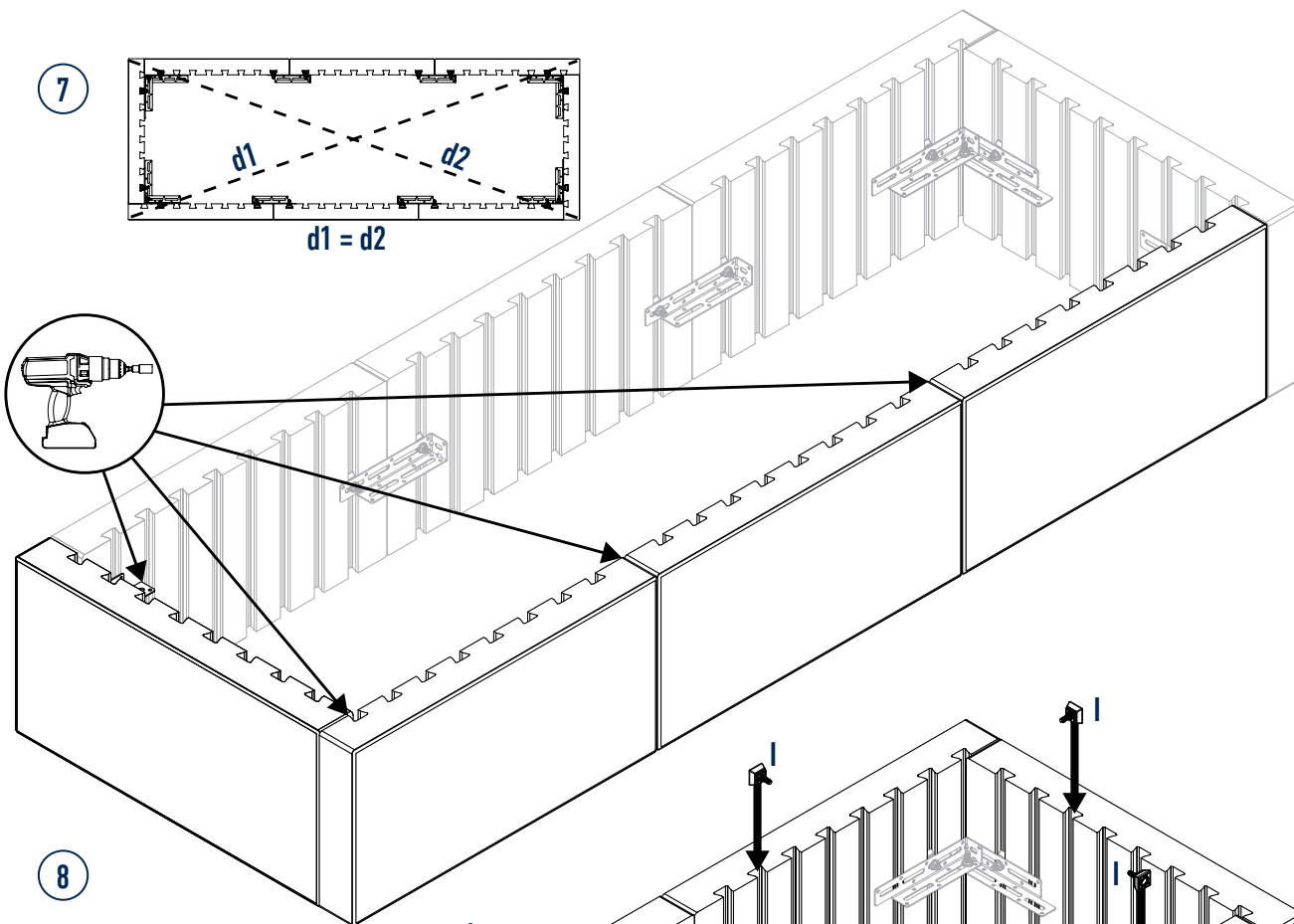
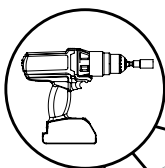
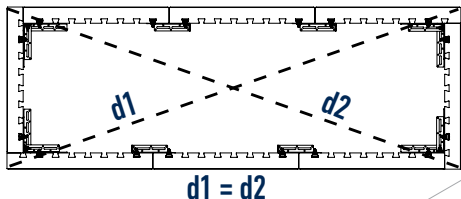
5



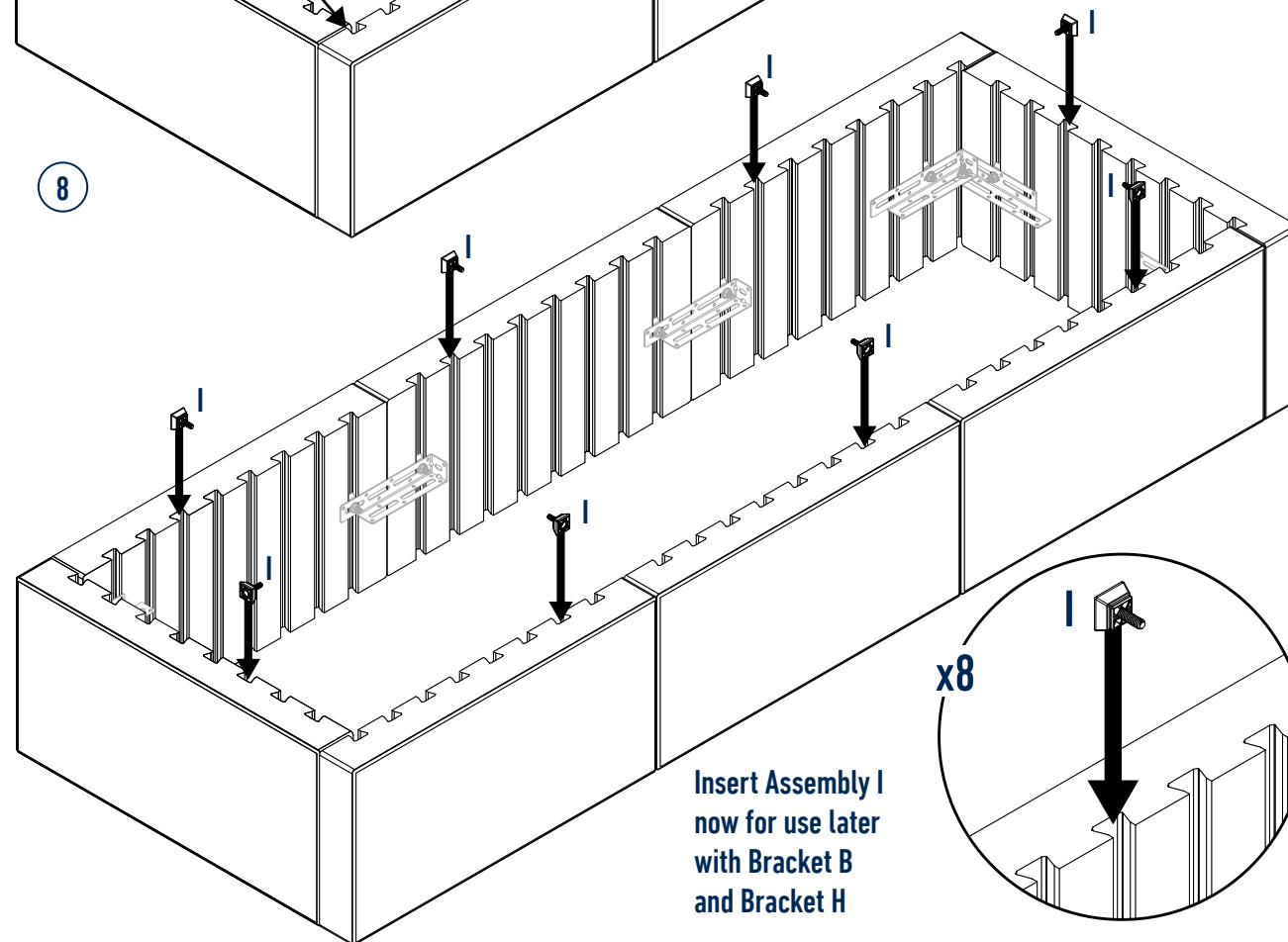
6



7



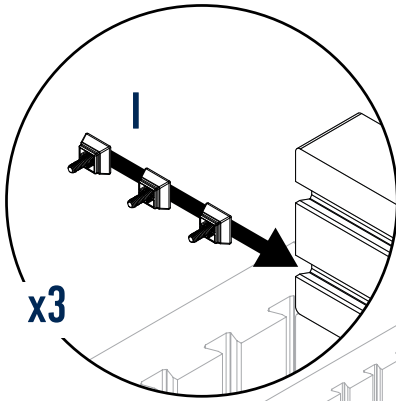
8



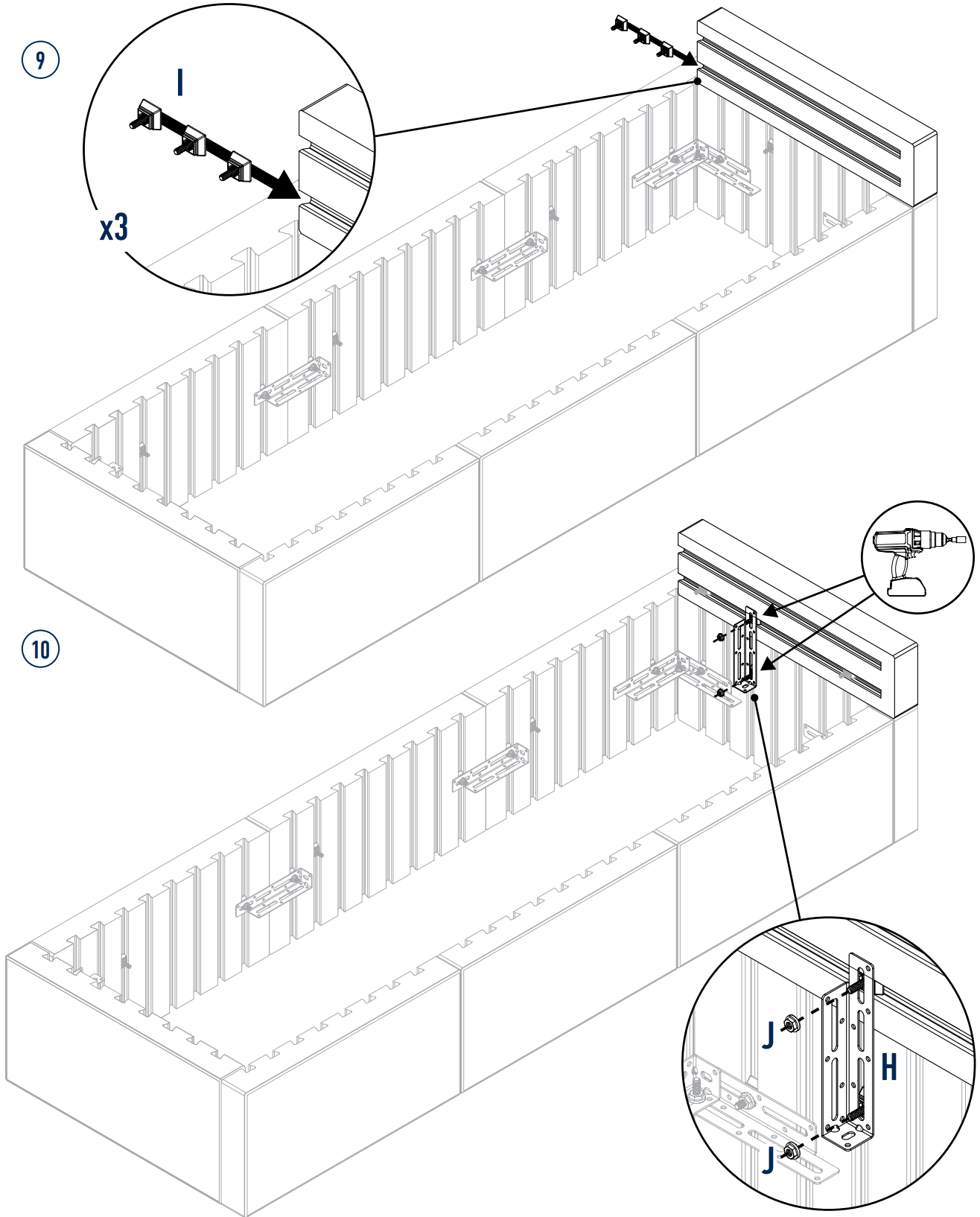
Insert Assembly I  
now for use later  
with Bracket B  
and Bracket H



9



10

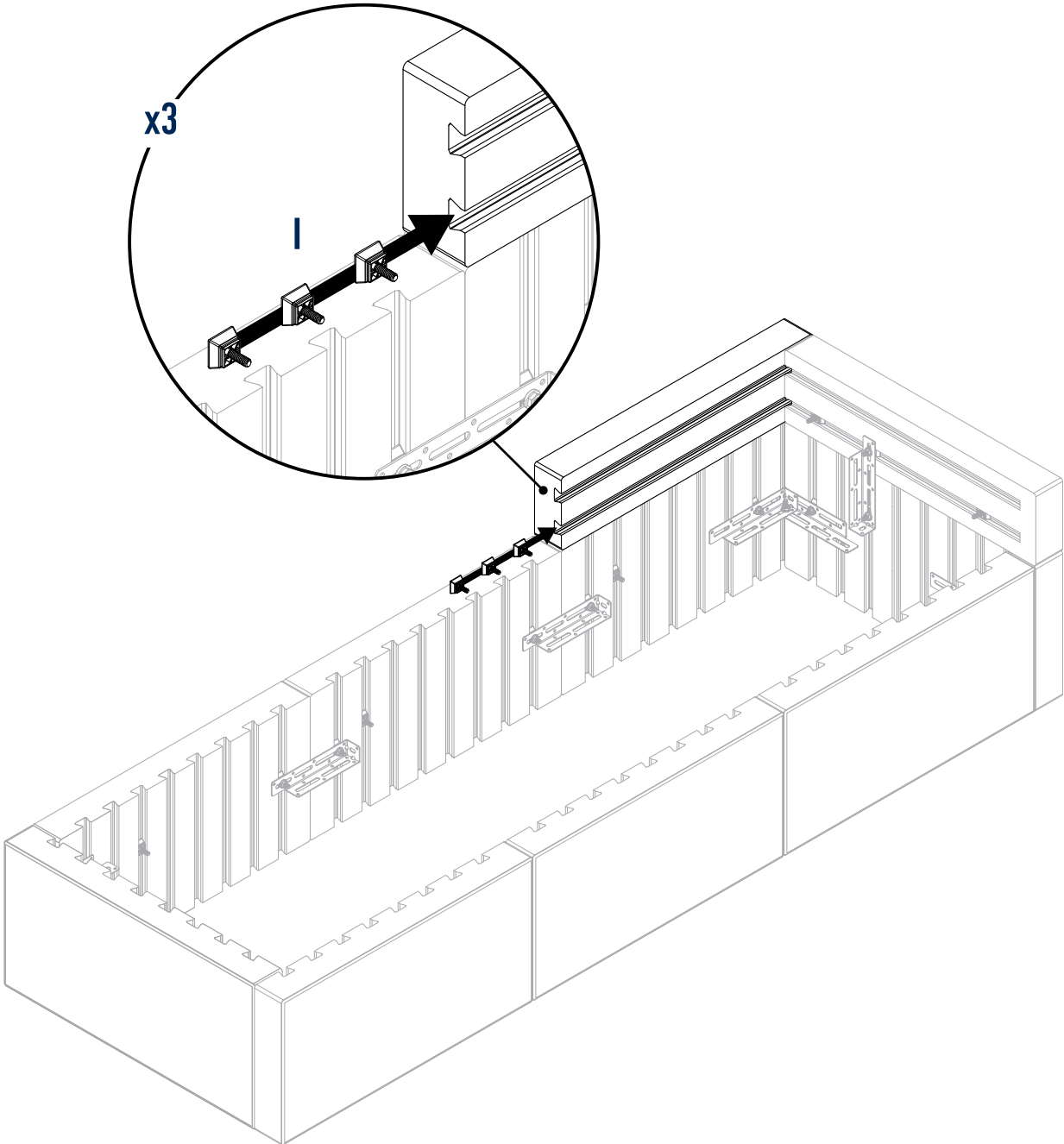




# DESIGNFORMS™

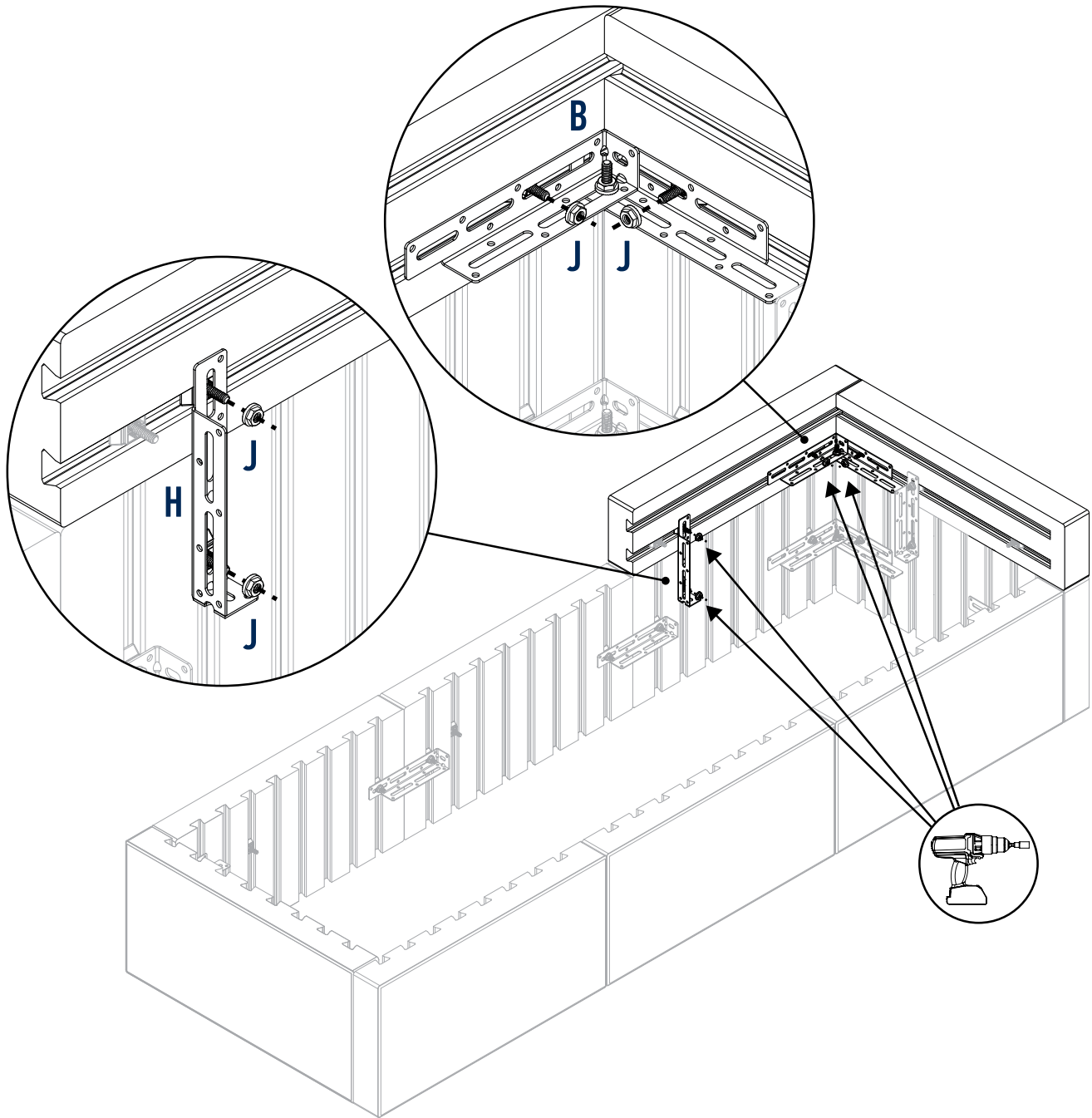
6 FT BENCH  
- WOOD TOP

11



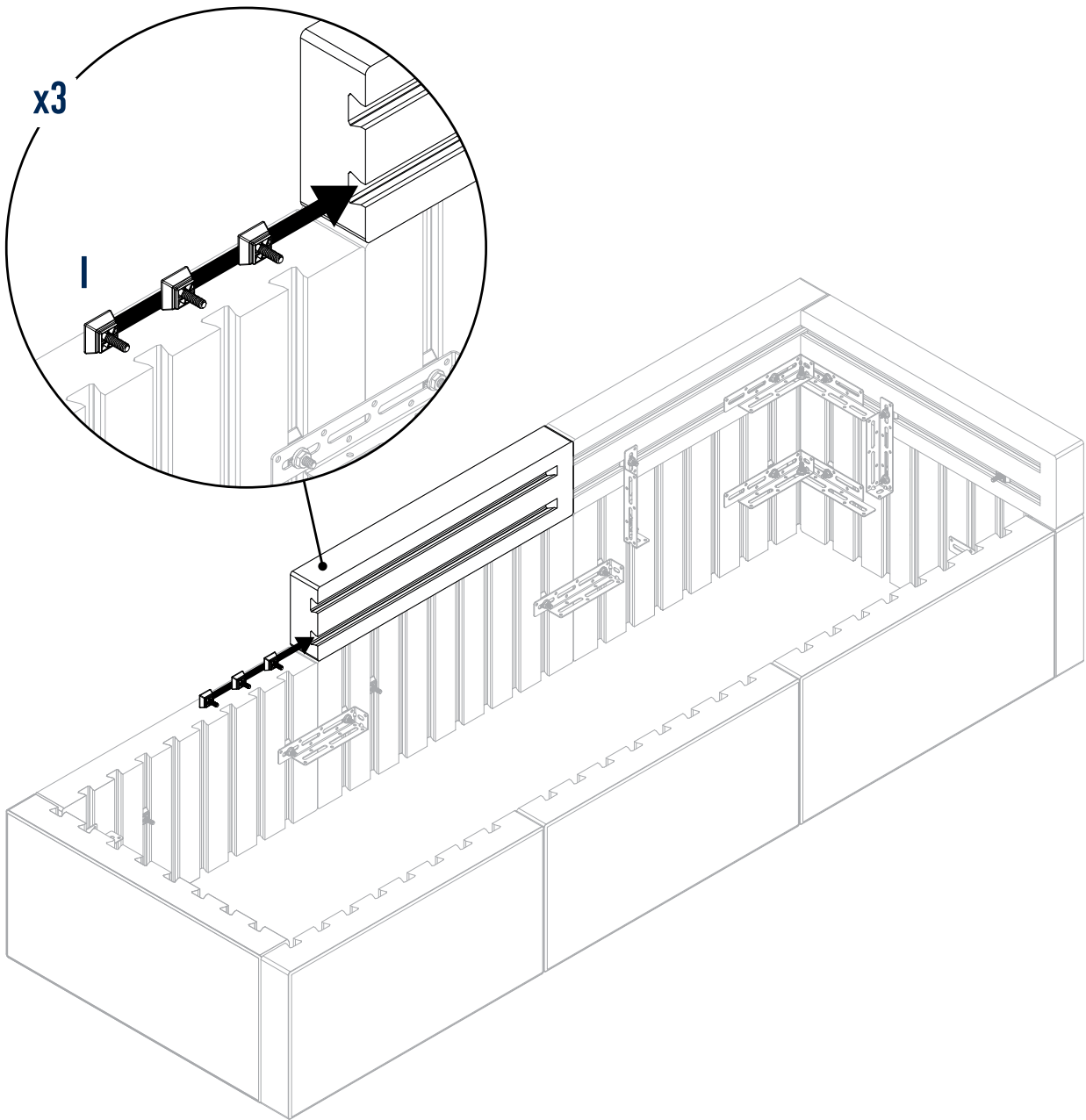


12



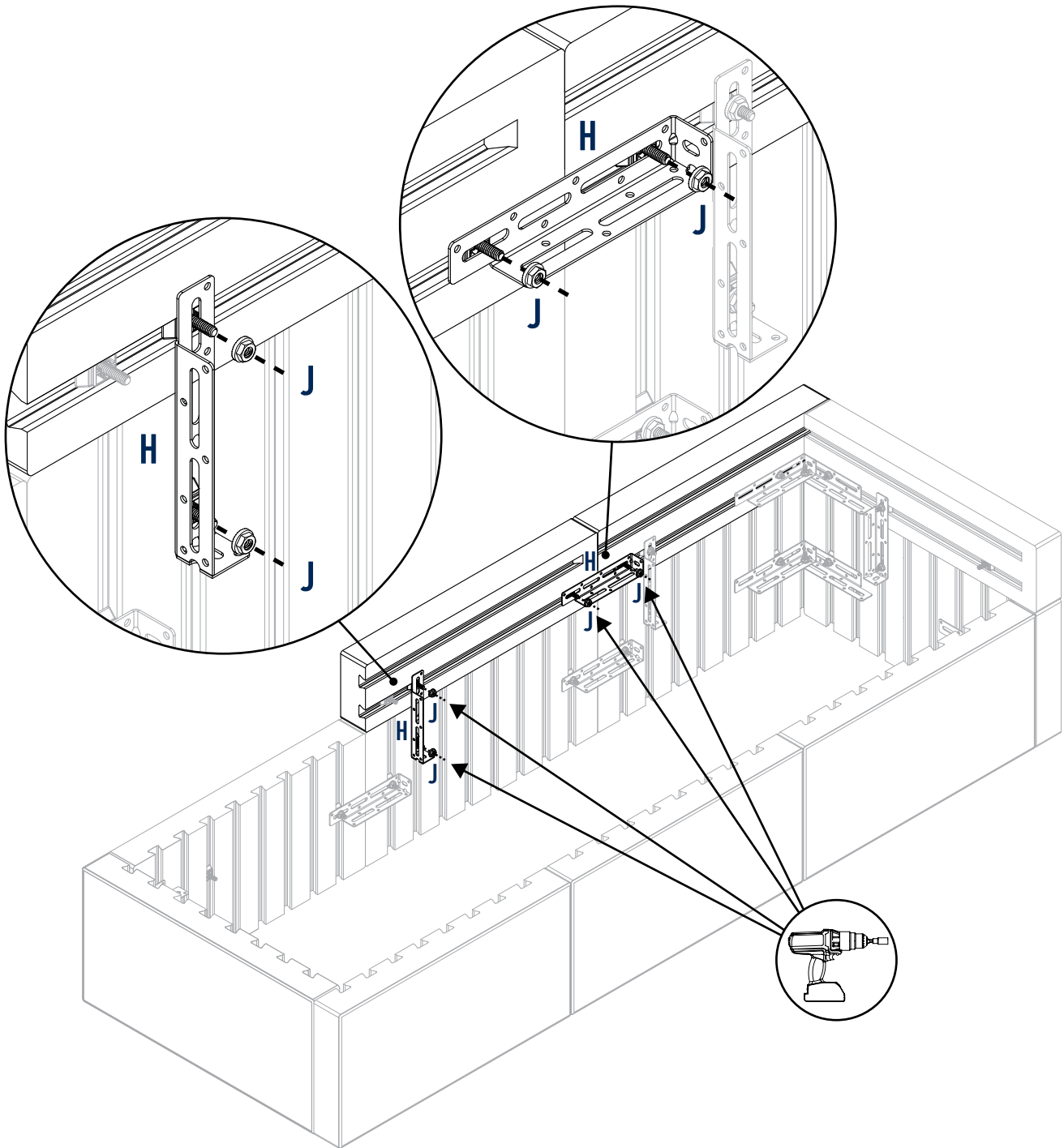


13



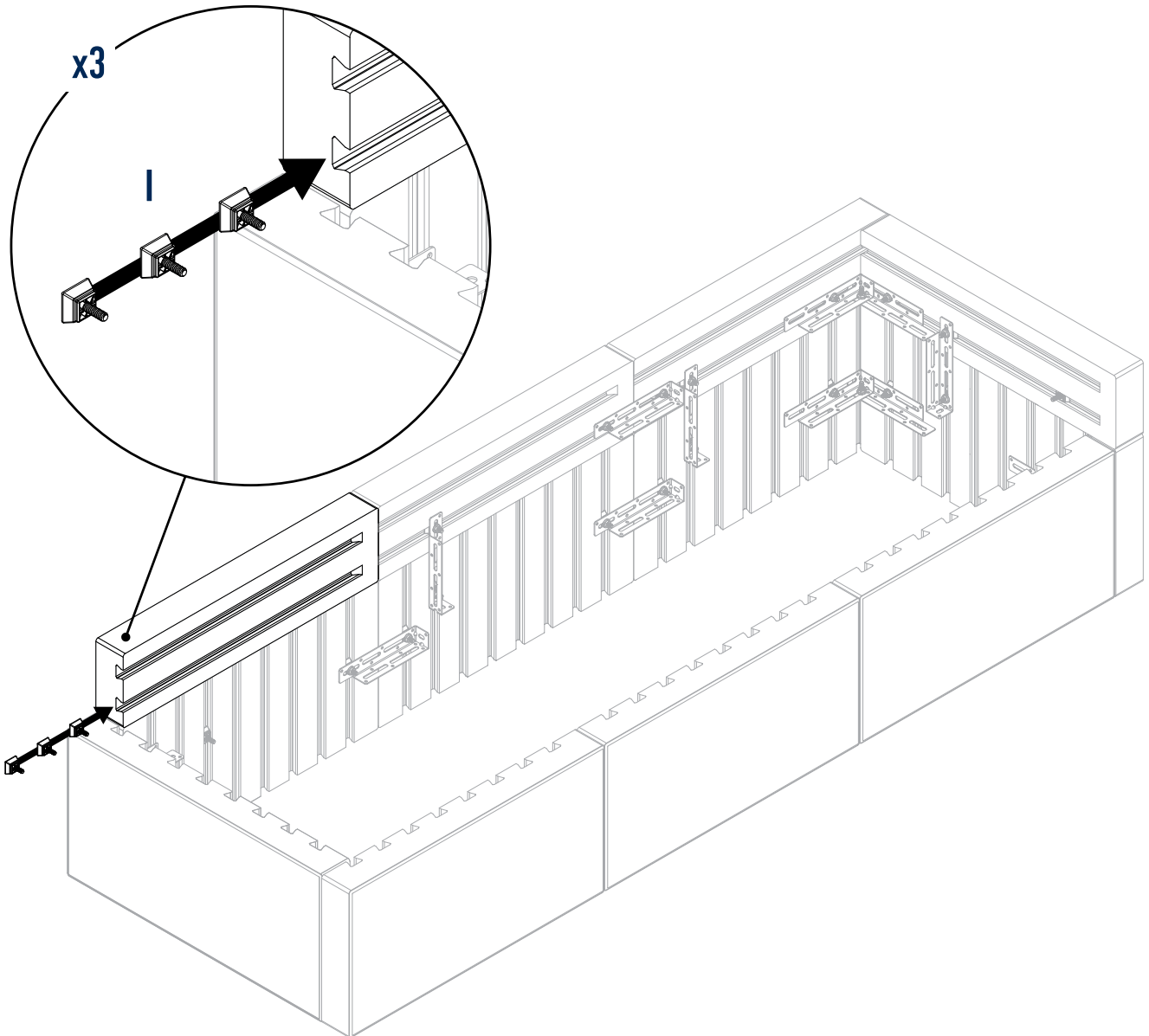


14



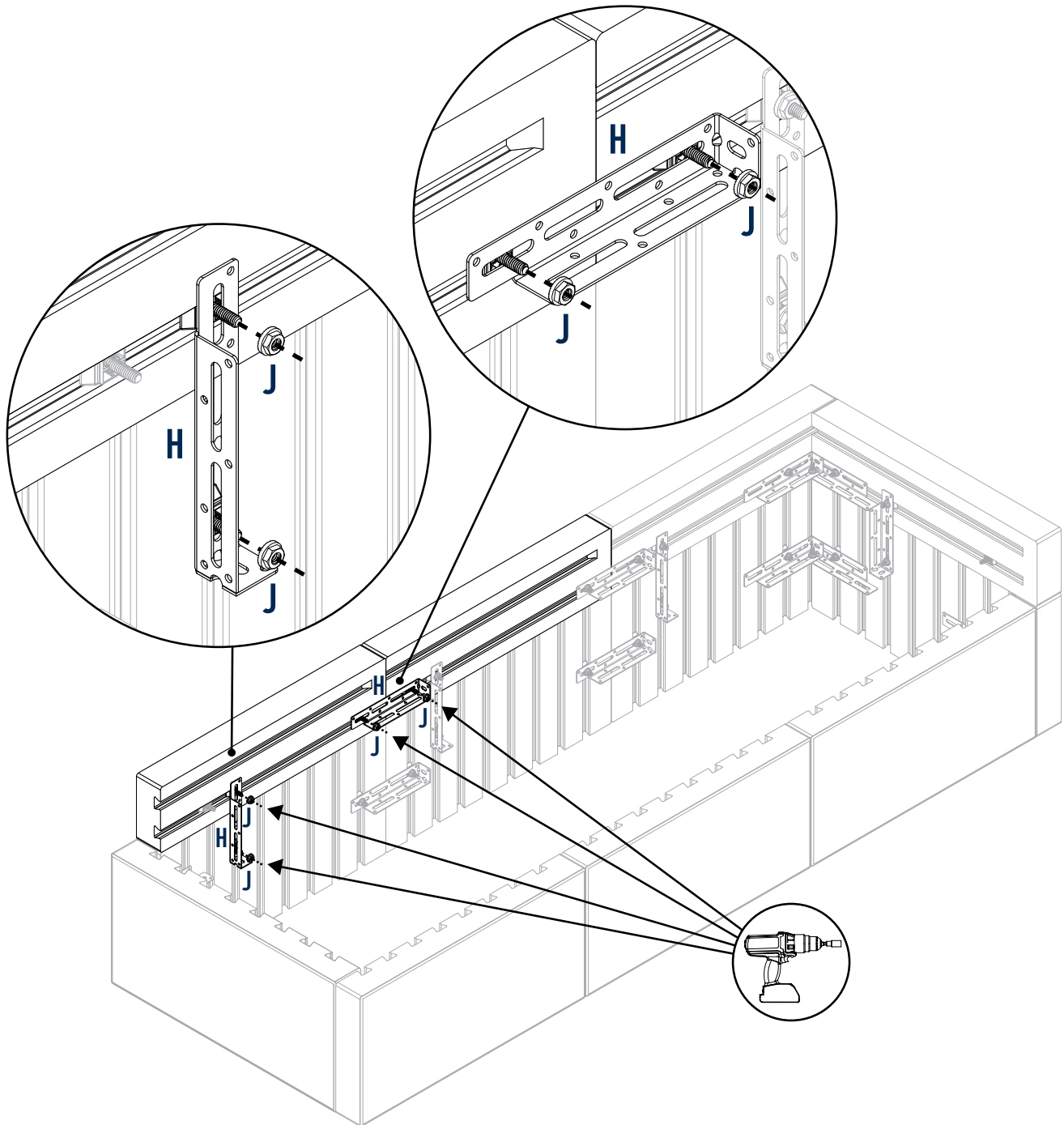


15



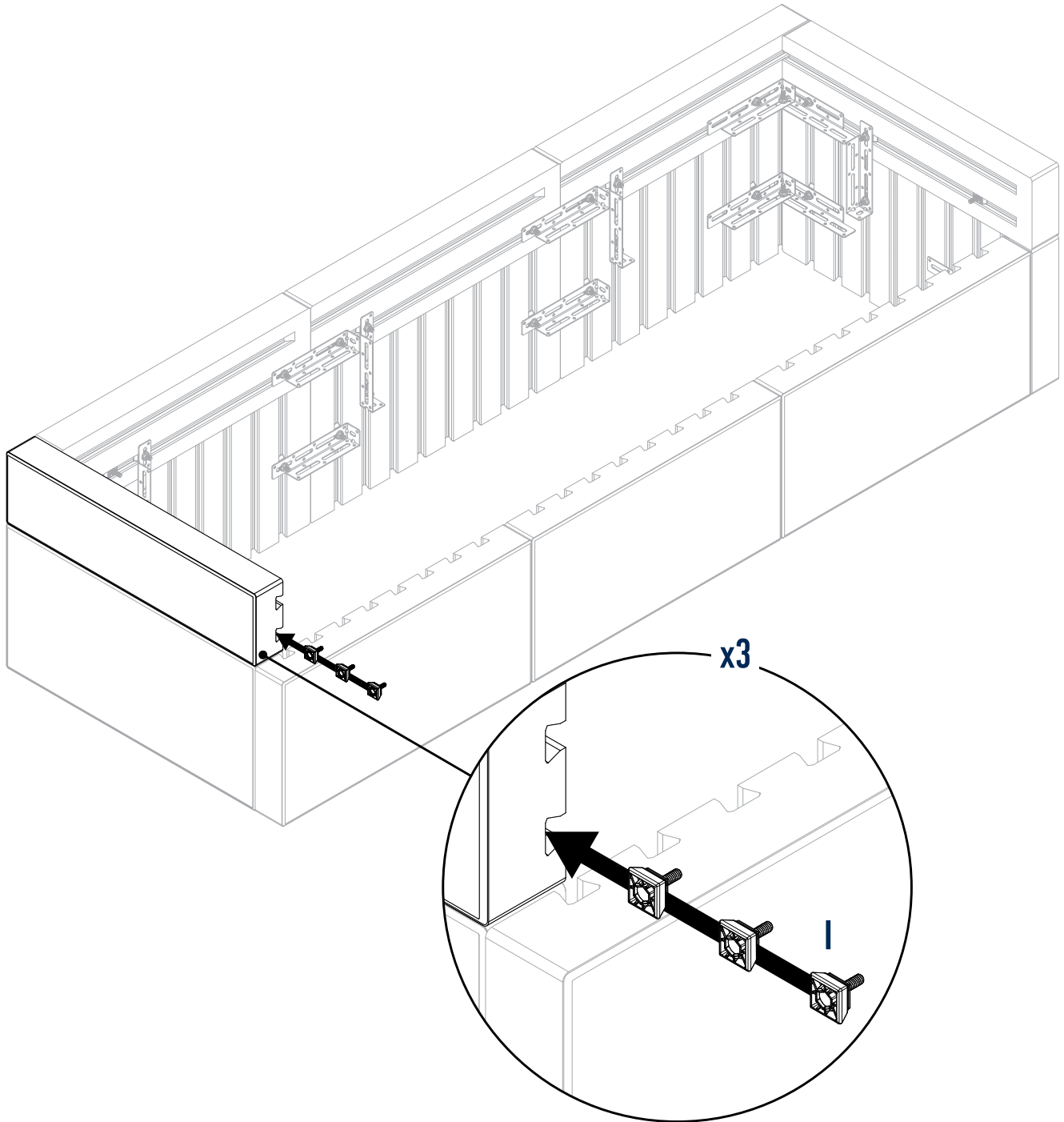


16

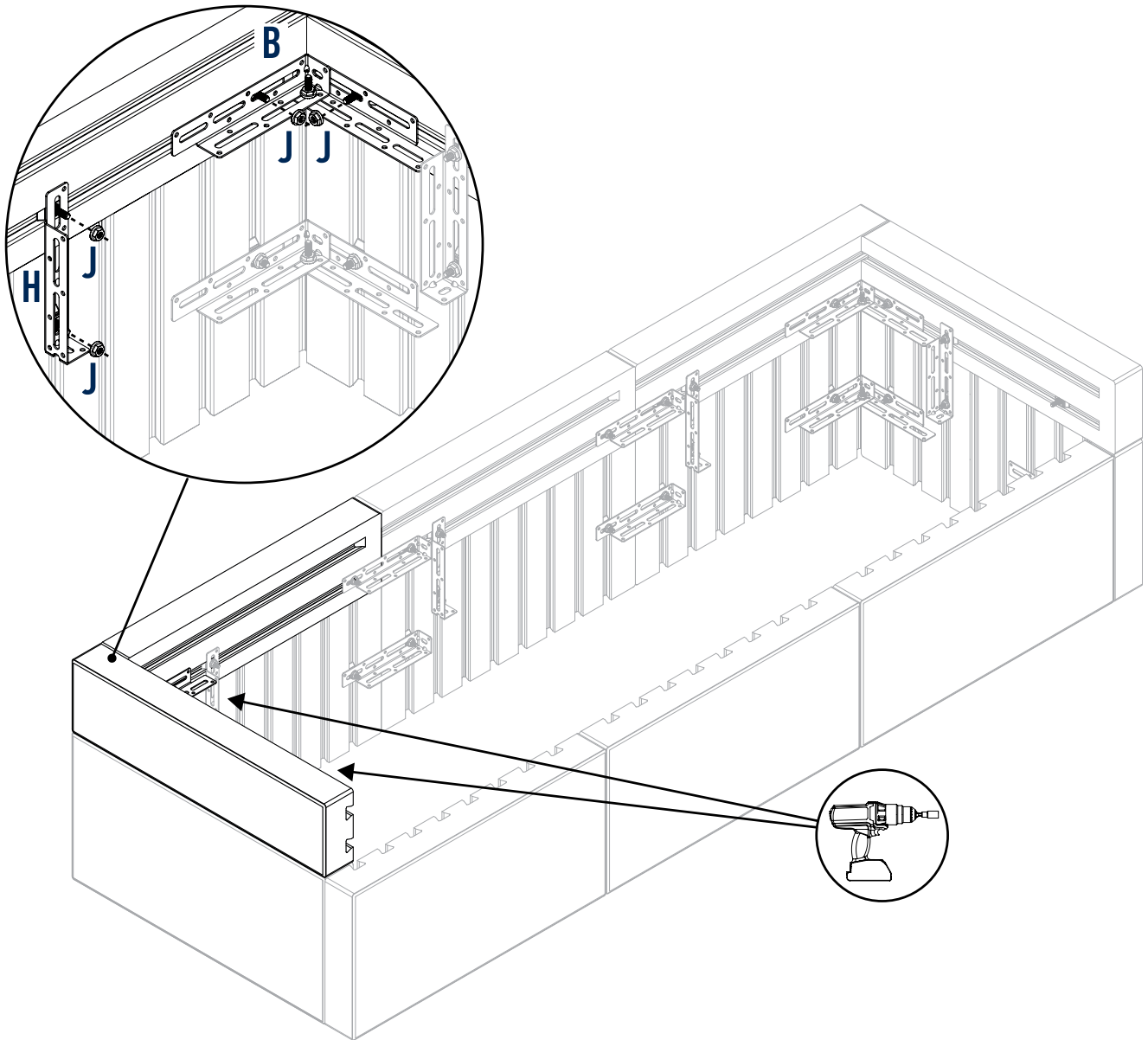




17

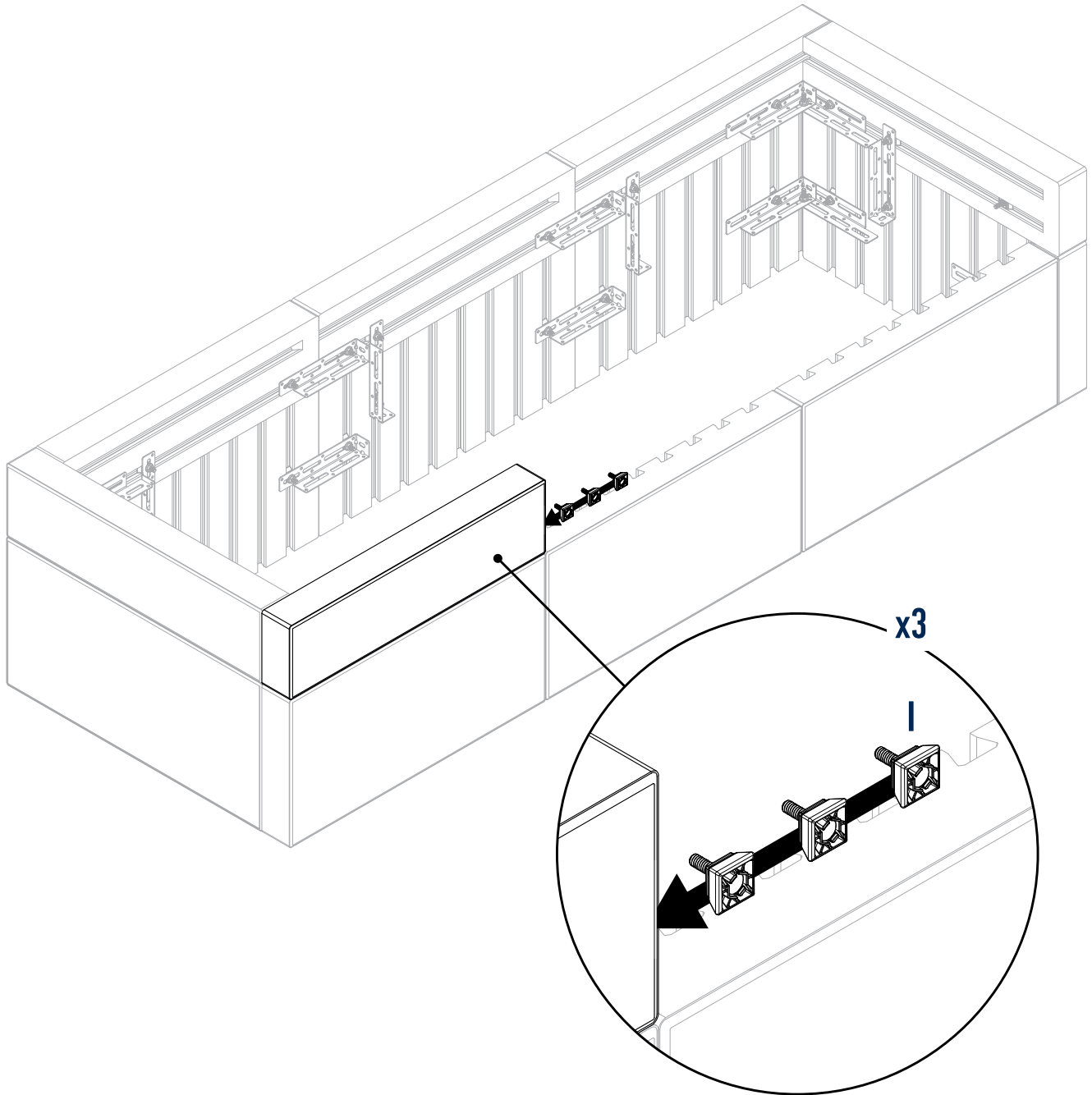


18



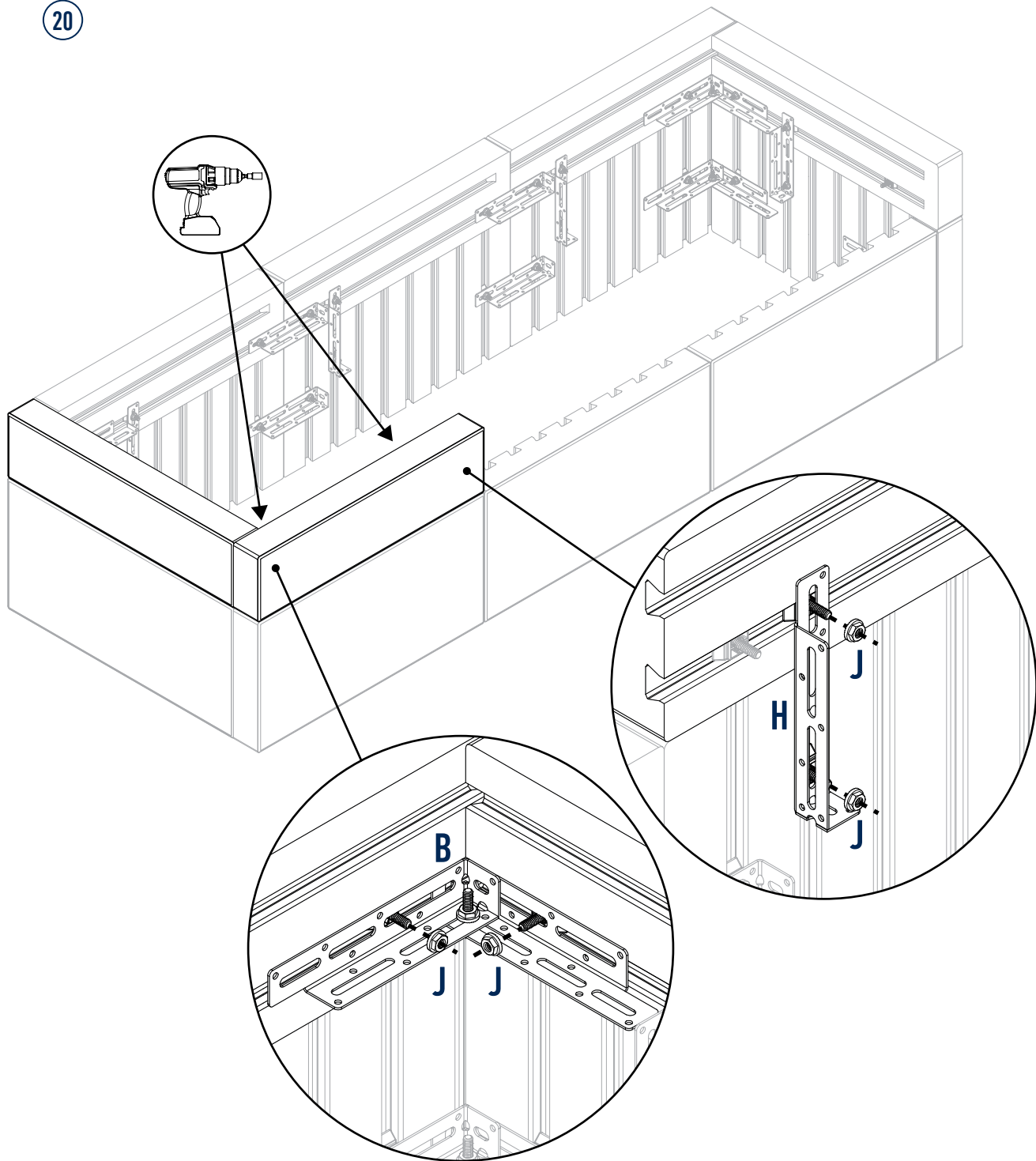


19



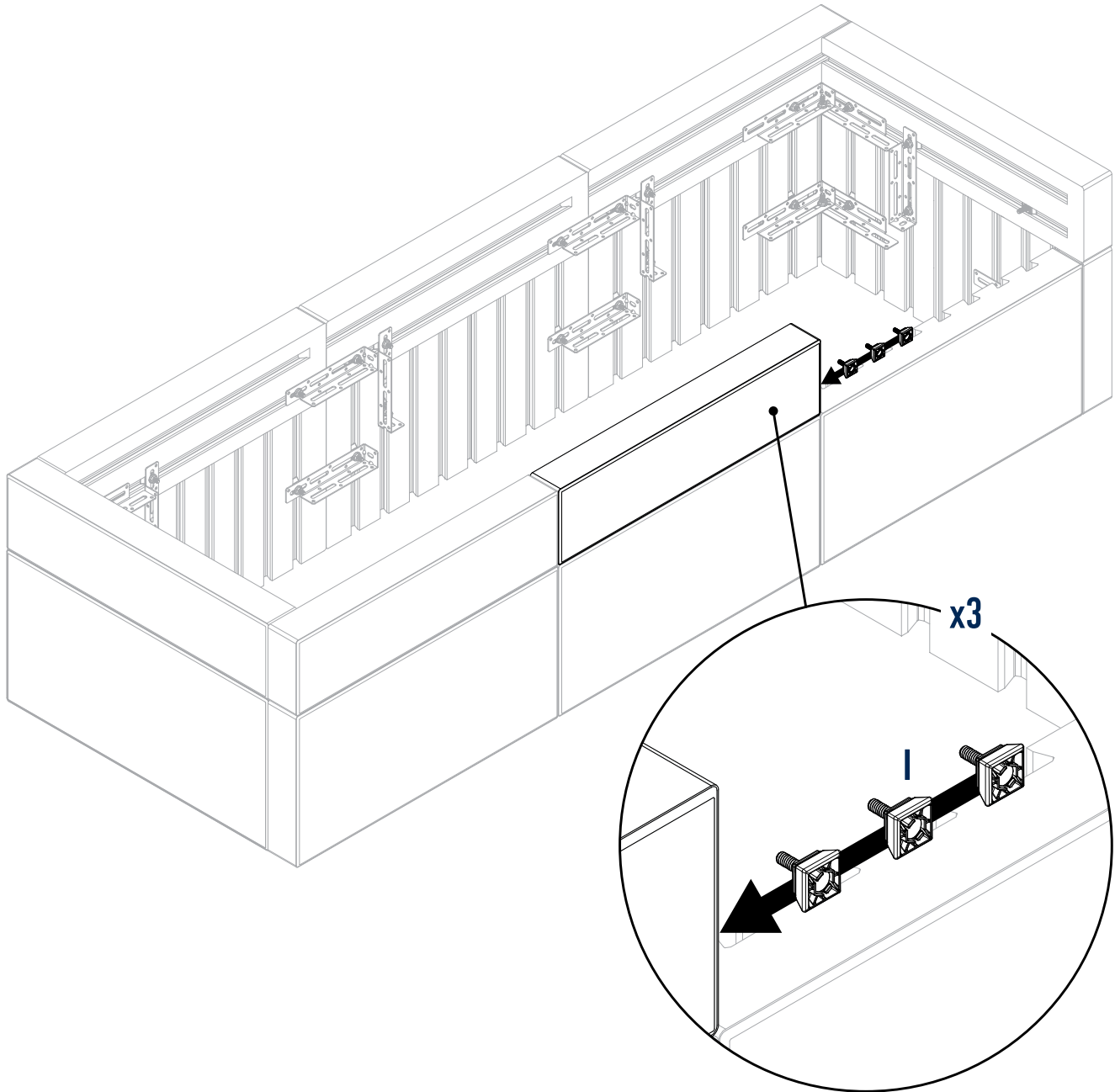


20

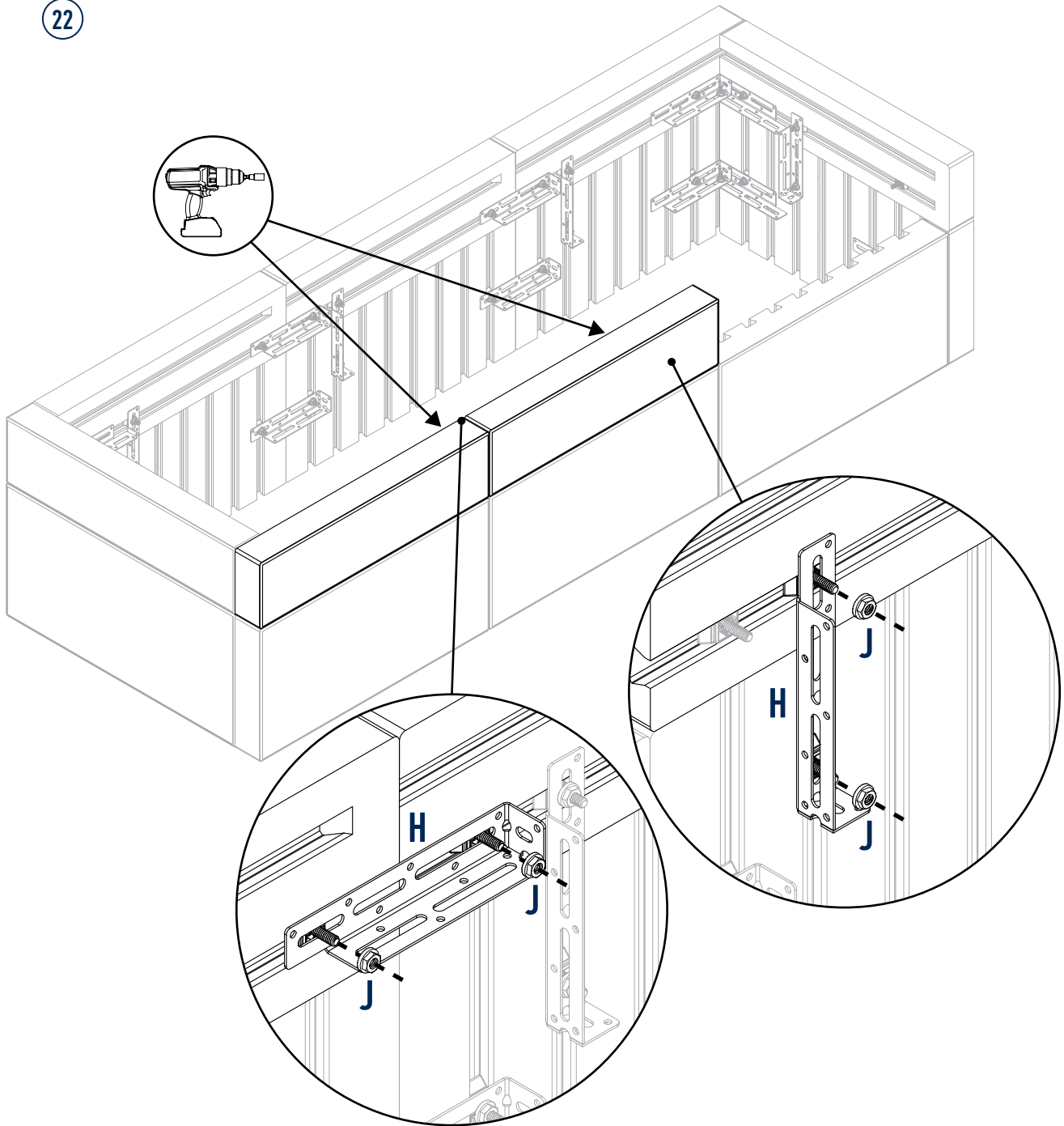




21

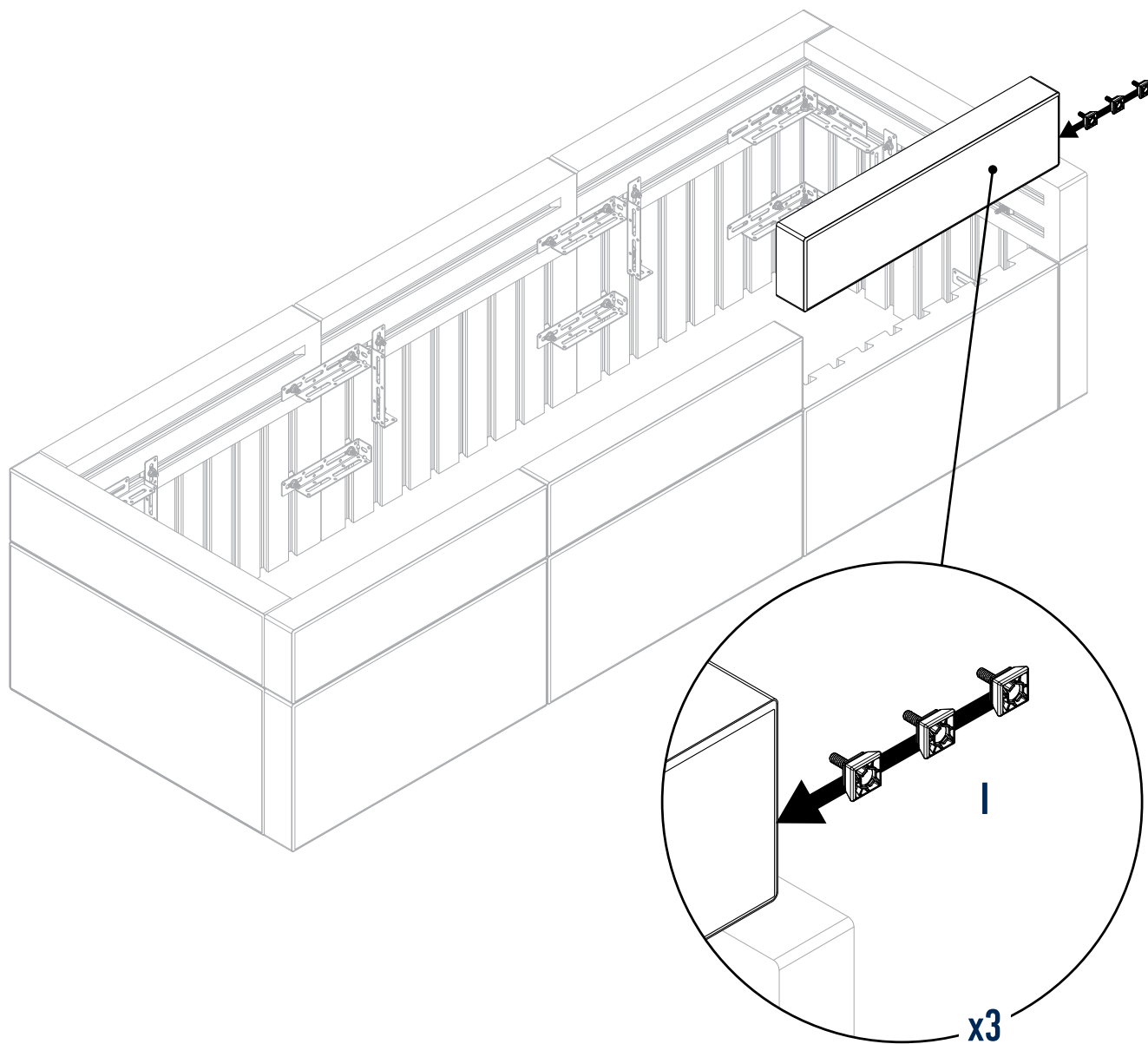


22





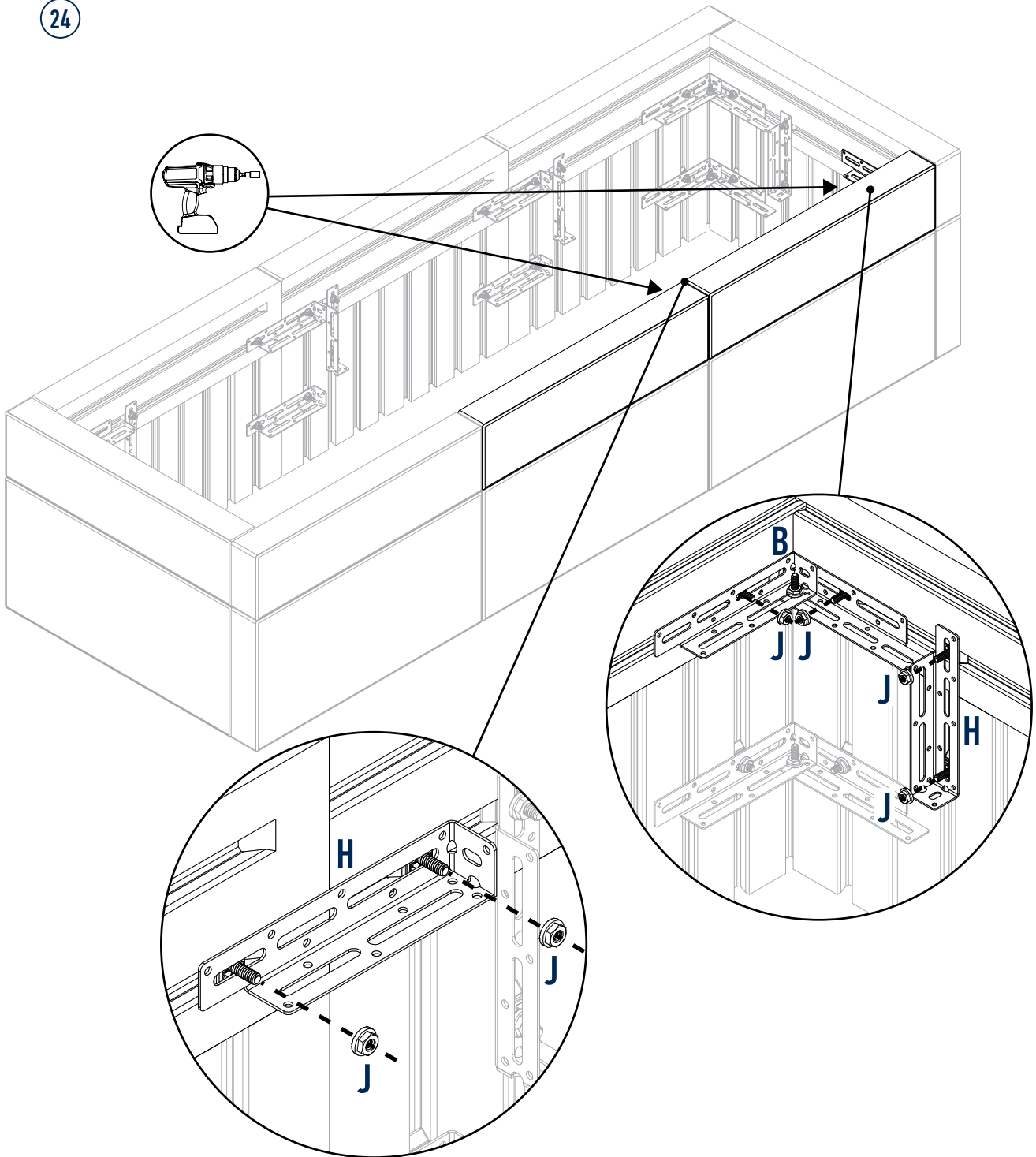
23







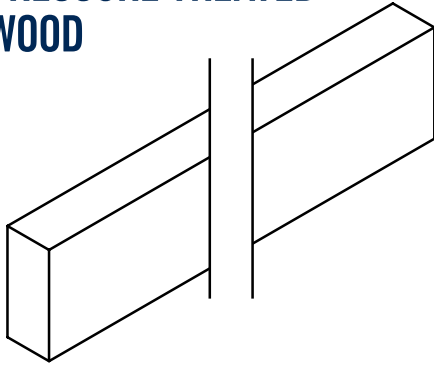
24





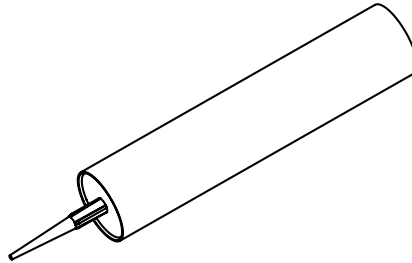
**2" x 6" x 8'**  
**PRESSURE TREATED**  
**WOOD**

**x5**



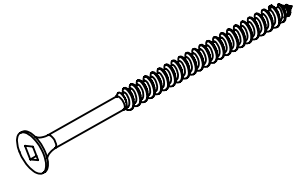
**OUTDOOR**  
**SILICONE**

**x1**



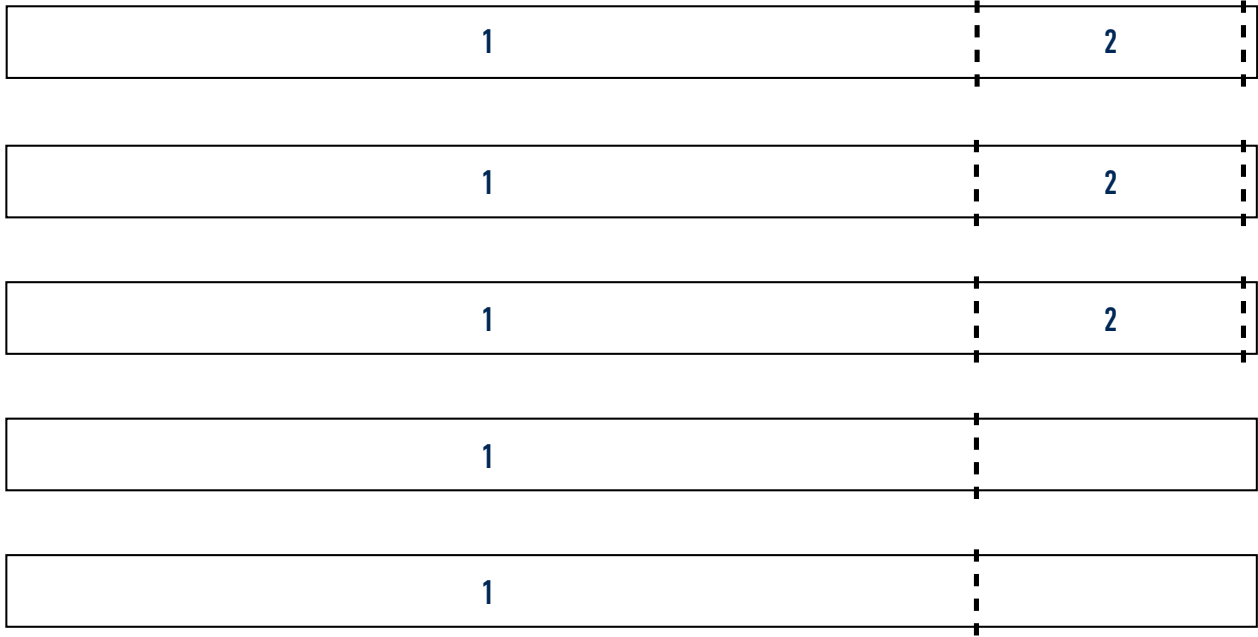
**#8 2 1/2"**  
**DECK SCREW**

**x30**

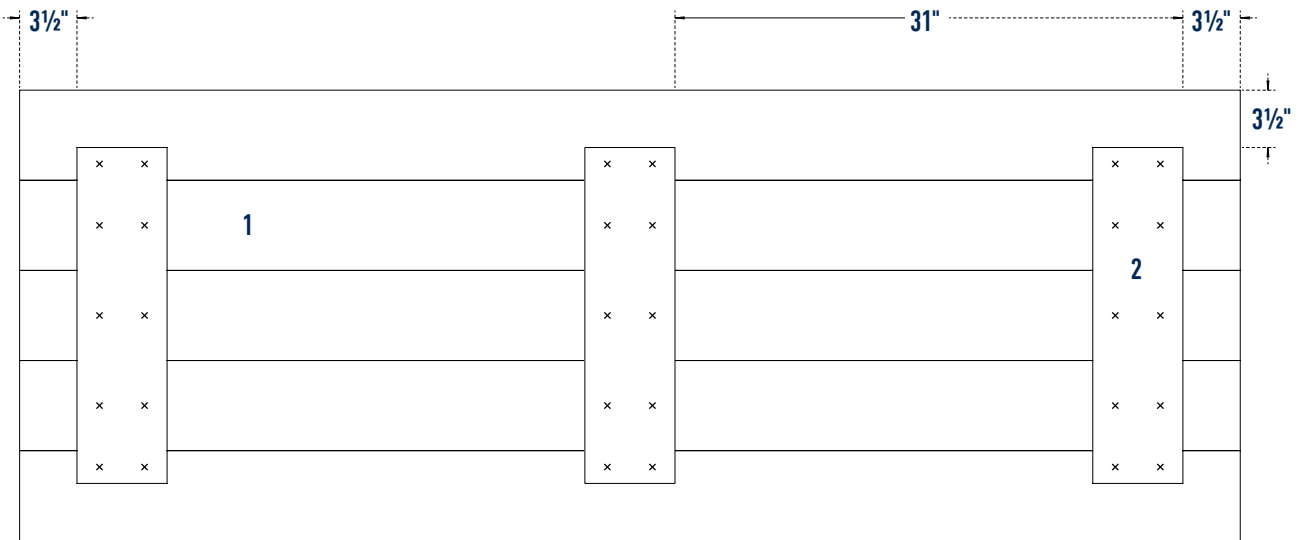


### WOOD CUTS

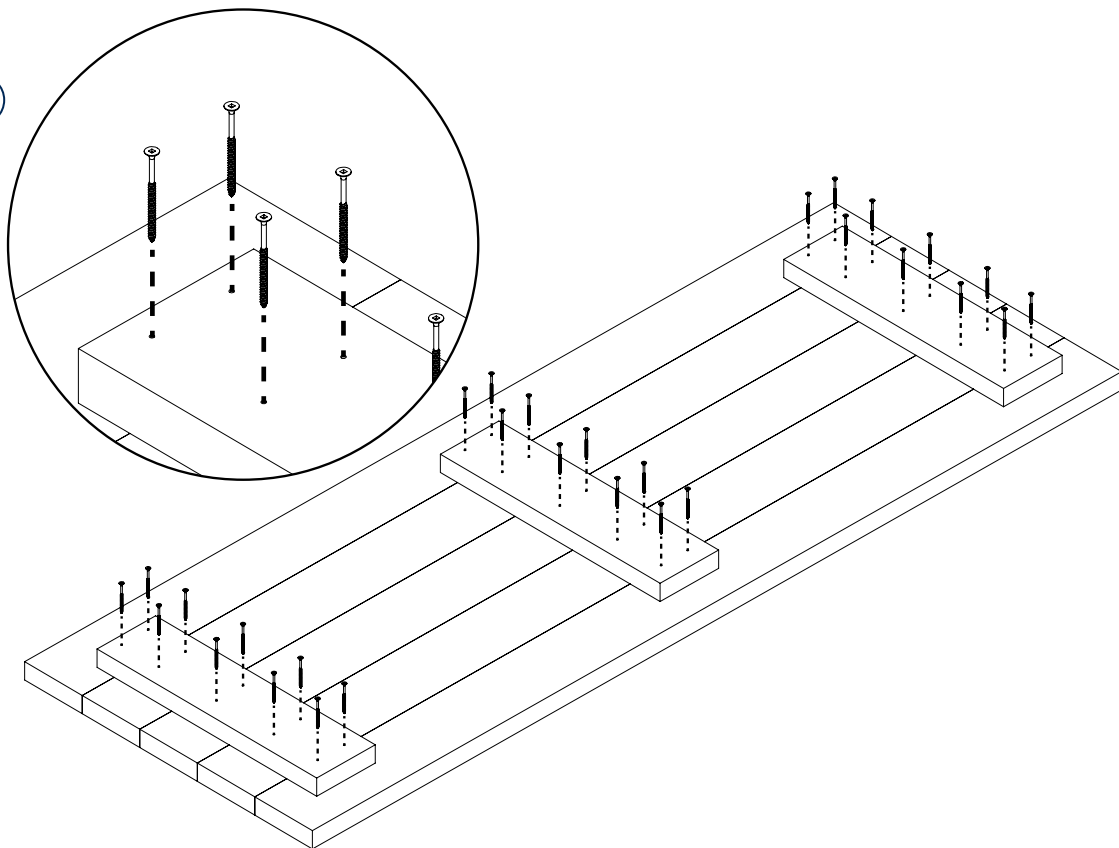
**1 = 74 1/2"**  
**2 = 20 1/2"**



25

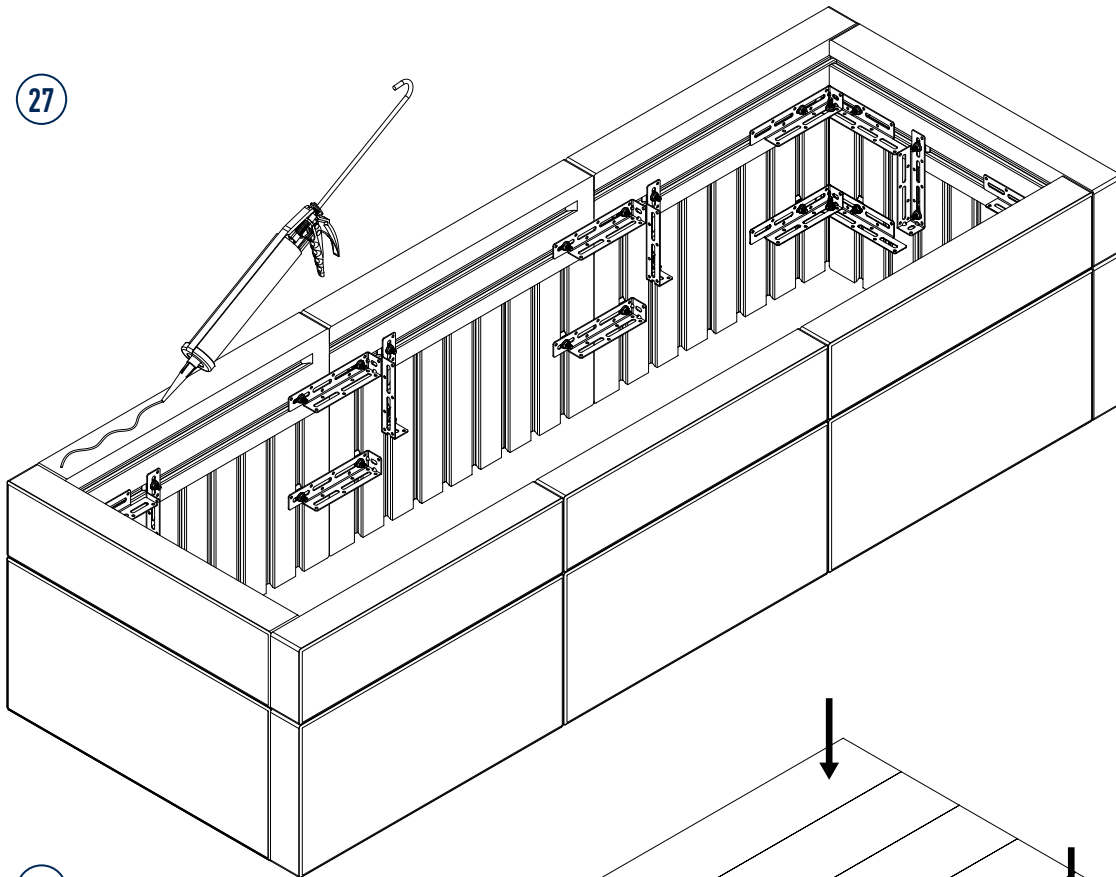


26





27



28

