



# DESIGNFORMS™

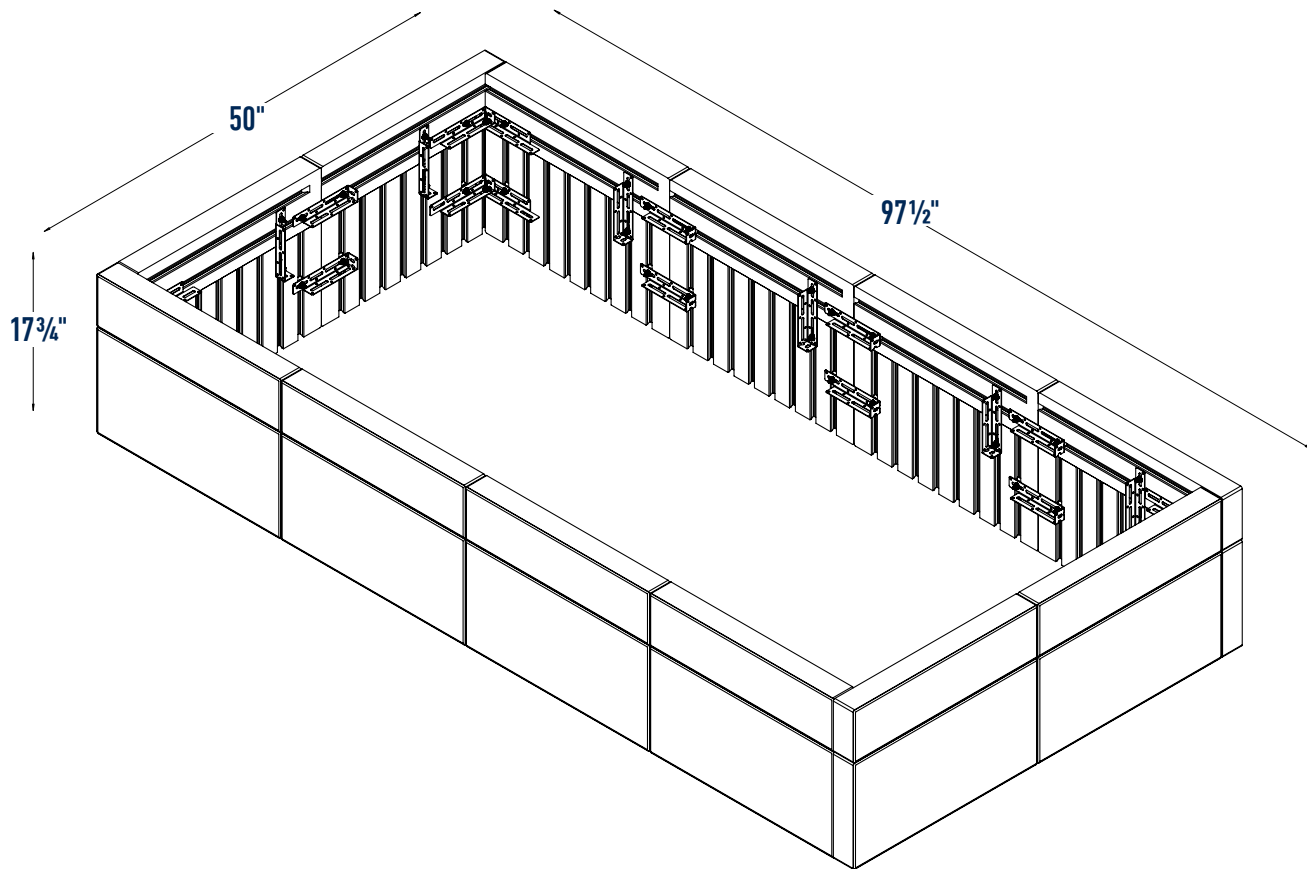


**1.5 FT RECTANGULAR GARDEN BED  
- CONCRETE TOP**

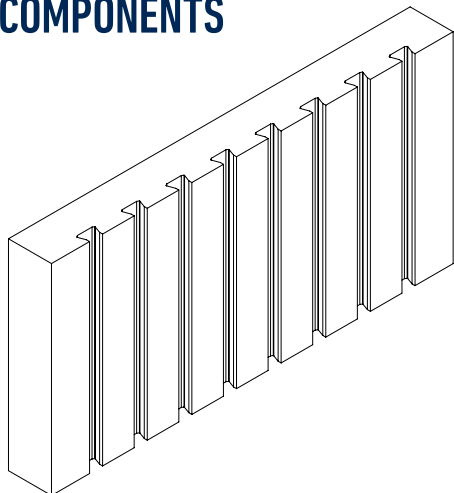


# DESIGNFORMS™

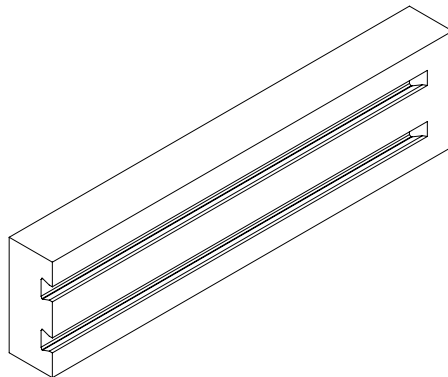
## 1.5 FT RECTANGULAR GARDEN BED - CONCRETE TOP



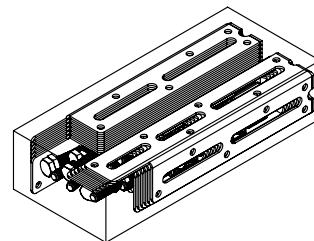
### COMPONENTS



**Large Panel (x12)**  
12" x 24"

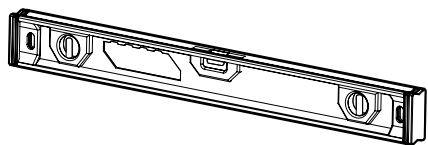


**Small Panel (x12)**  
6" x 24"

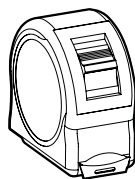


**Hardware Kit (x4)**

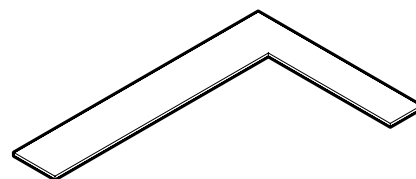
**REQUIRED TOOLS**



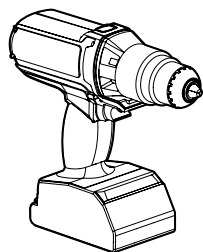
**LEVEL**



**MEASURING TAPE**



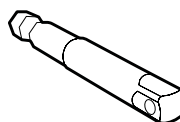
**CARPENTER SQUARE**



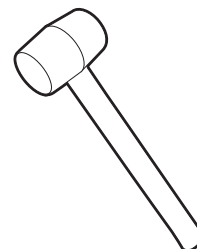
**DRILL**



**DEEP HEX SOCKET  
7/16" WITH 1/4" DRIVE**



**SOCKET ADAPTOR  
1/4" HEX SHANK TO 1/4" DRIVE**

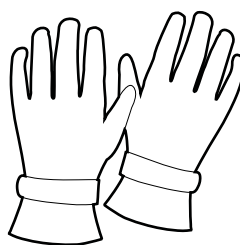


**RUBBER Mallet**

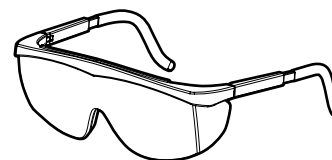
**SAFETY EQUIPMENT**



**SAFETY BOOTS**



**GLOVES**



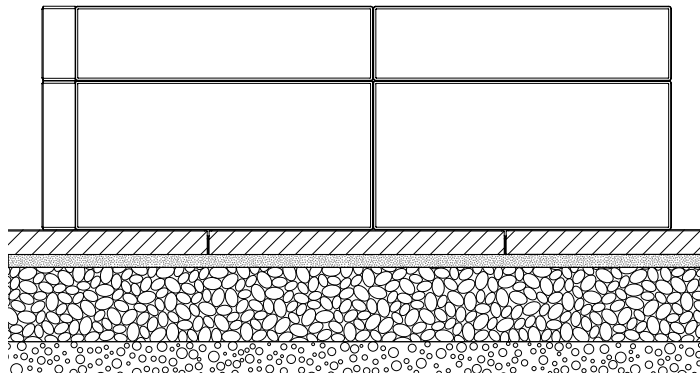
**SAFETY GLASSES**



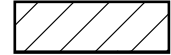
### BASE PREPARATION

ALWAYS LEVEL GROUND BEFORE INSTALLATION

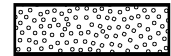
#### ON NEW OR EXISTING PATIO



SLAB OR PAVER



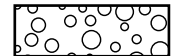
BEDDING SAND 1"



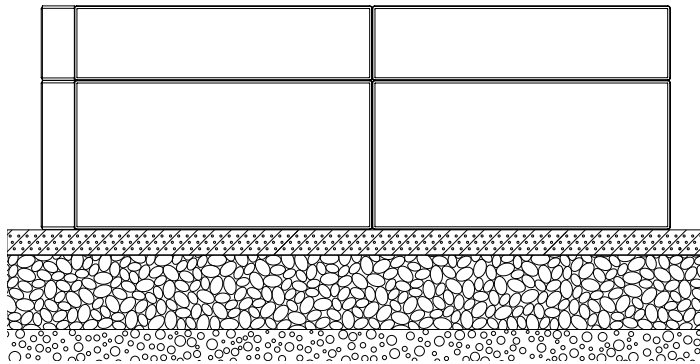
COMPACTED AGGREGATES 6" - 8"



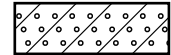
SOIL



#### ON POURED CONCRETE



REINFORCED POURED CONCRETE FOUNDATION 2"



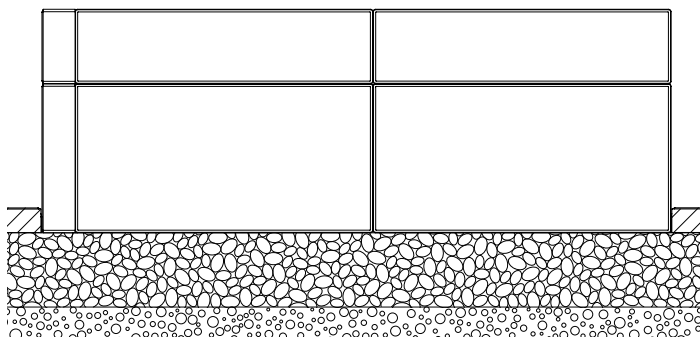
COMPACTED AGGREGATES 6" - 8"



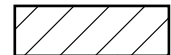
SOIL



#### ON COMPACTED FOUNDATION



SLAB OR PAVER



COMPACTED AGGREGATES 6" - 8"



SOIL





## TIPS & TRICKS

### READ ALL INSTRUCTIONS BEFORE ASSEMBLY

#### PREBUILD:

- Prebuild all hardware prior to starting build.
- When assembling hardware SNAP the bolt into place with the plastic sliders. Pressing down on something flat and hard will help. (Fig. A)
- Do not over hand tighten the slider/bolt piece and the nut on the completed brackets. They should be loosely attached so they slide into the channels on the panels. Leave a space of ¼ in. (Fig. B)

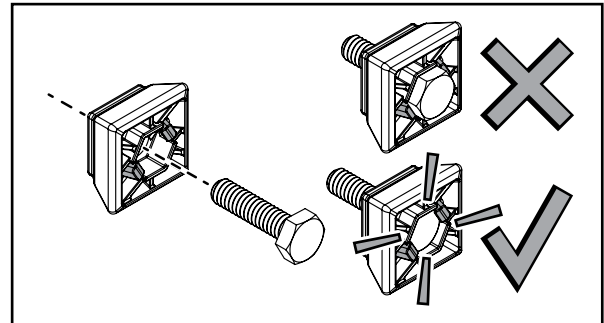


Fig. A

#### INSTALL:

- Always start in the corner when starting a build. (Fig. C)
- Set the drill clutch (torque) at a low level to deliver a torque range of 50-65lbs per inch. Refer to your drill manual for torque adjustment instructions.
- Use a rubber mallet to assist with moving/aligning/adjusting panel placement during assembly.

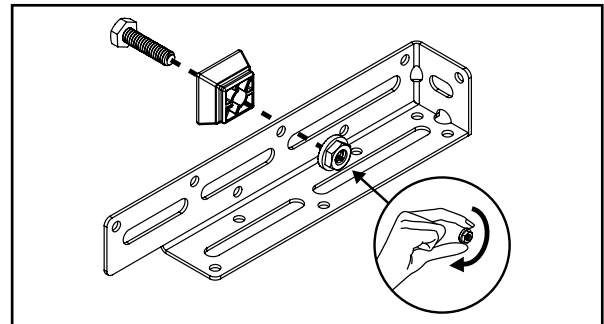


Fig. B

#### WHEN BUILDING WOODEN COMPONENTS:

- Do not exceed prescribed length. Exact measurements are required for proper assembly.
- Ensure your cuts are straight.
- Do not over tighten the screws into the wood - this can cause buckling.
- Pre-drill holes for 45° corner assemblies.
- Use cedar or pressure treated wood for outdoor use.
- Seal wooden components for prolonged use.

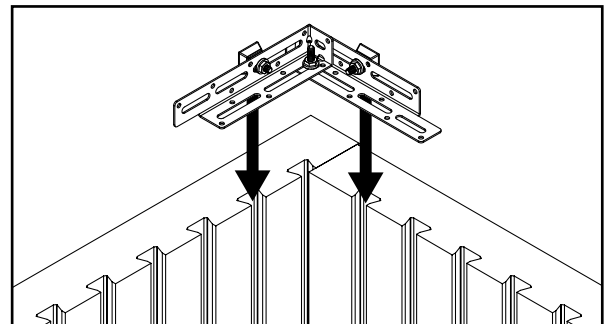


Fig. C

#### WHEN BUILDING PLANTERS:

- Line the inside of the planters or garden beds with a geotextile fabric to help with water management.

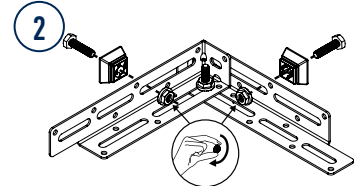
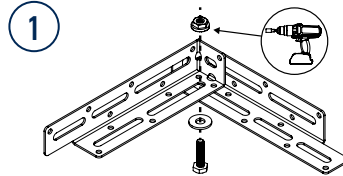
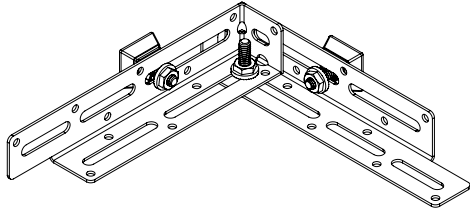


# DESIGNFORMS™

## 1.5 FT RECTANGULAR GARDEN BED - CONCRETE TOP

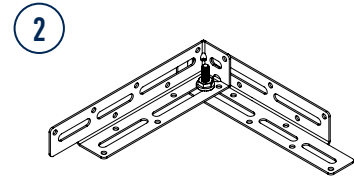
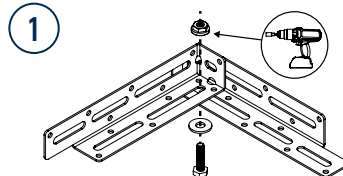
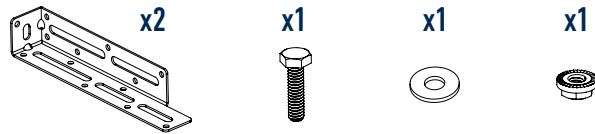
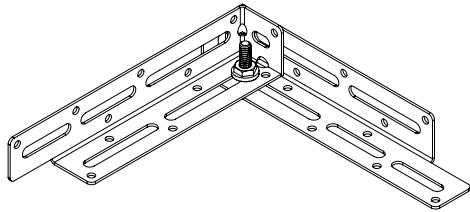
### BRACKET A

x4



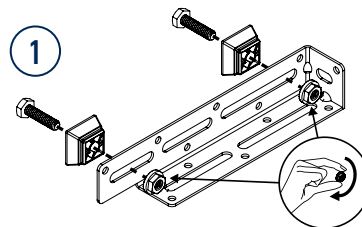
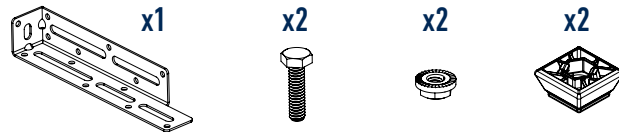
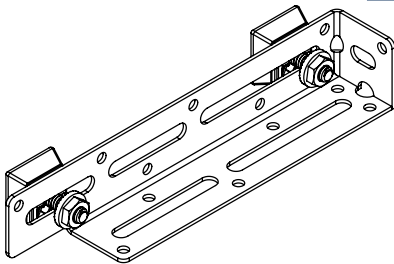
### BRACKET B

x4



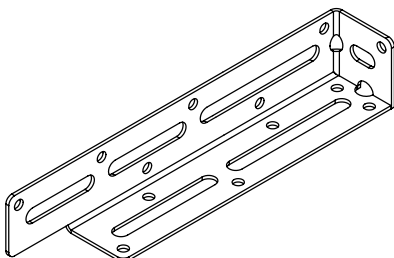
### BRACKET C

x12



### BRACKET H

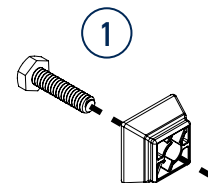
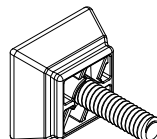
x20



### ASSEMBLY I

x48

Use with  
BRACKETS B and H  
during build



### J

x48

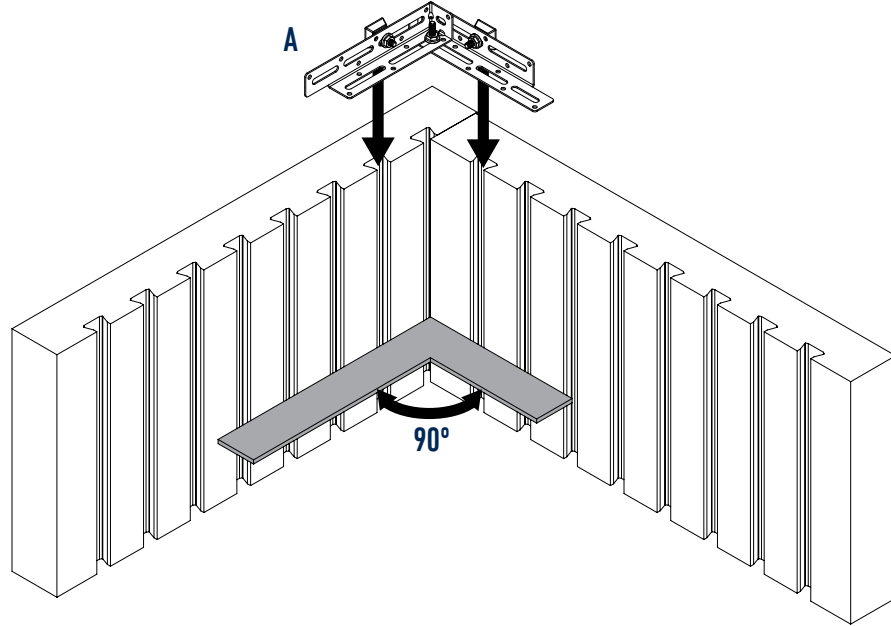




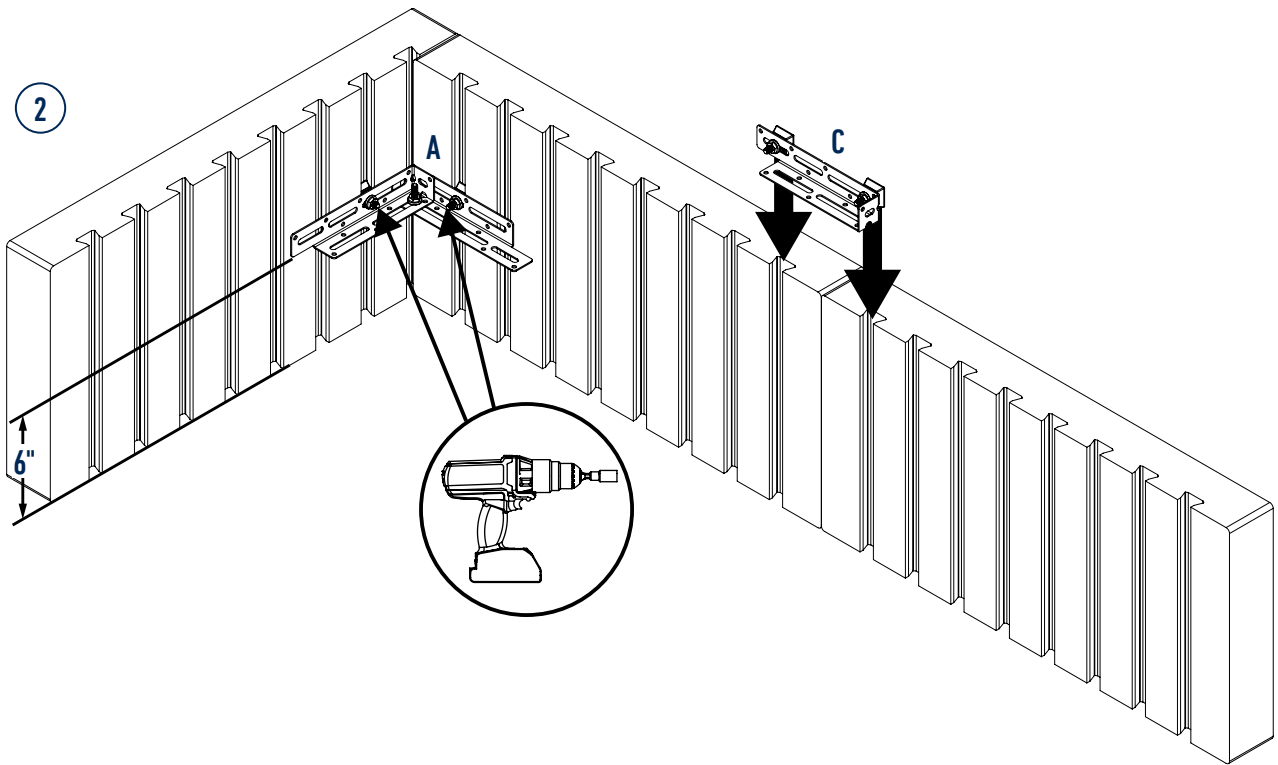
# DESIGNFORMS™

## 1.5 FT RECTANGULAR GARDEN BED - CONCRETE TOP

1



2

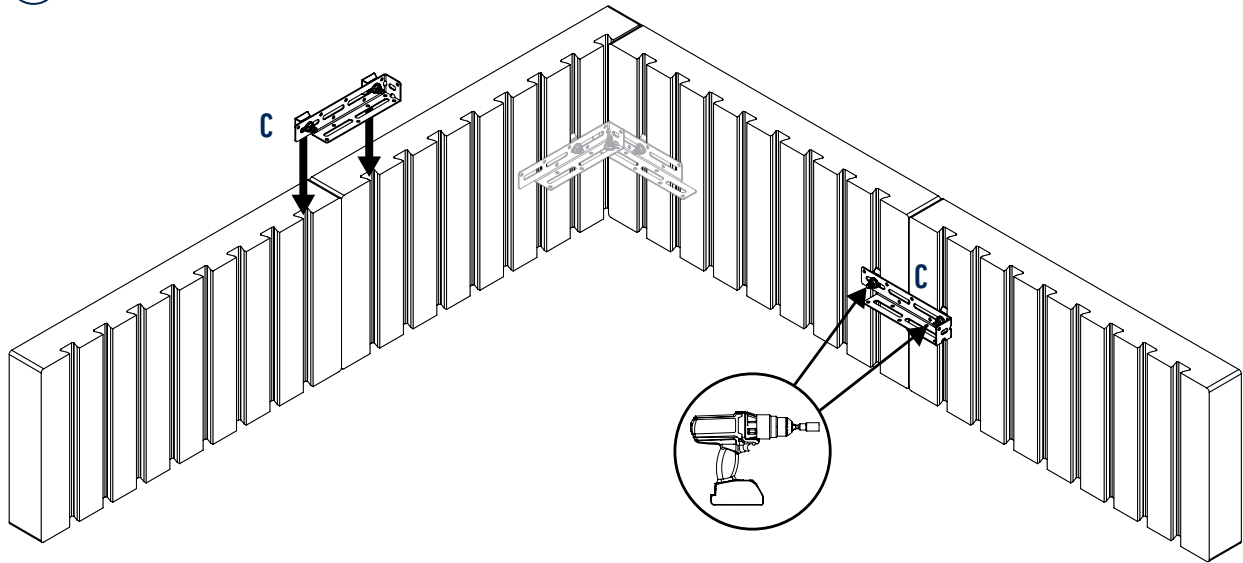




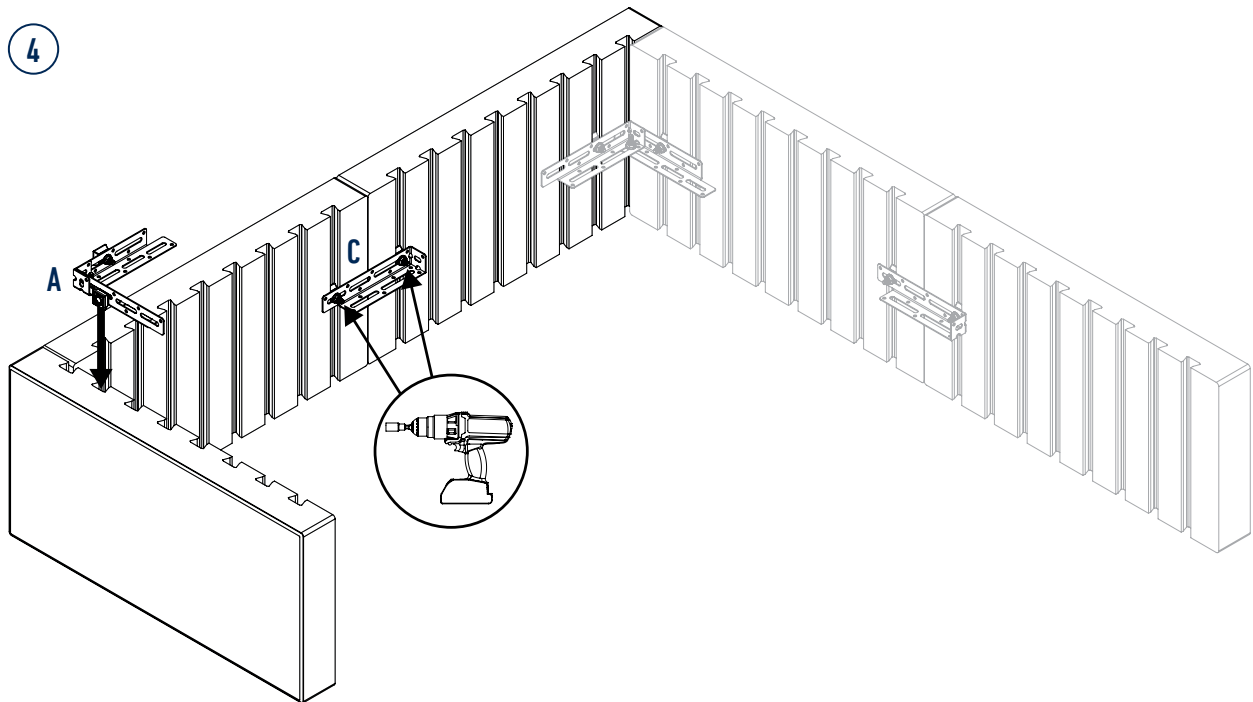
# DESIGNFORMS™

## 1.5 FT RECTANGULAR GARDEN BED - CONCRETE TOP

3



4



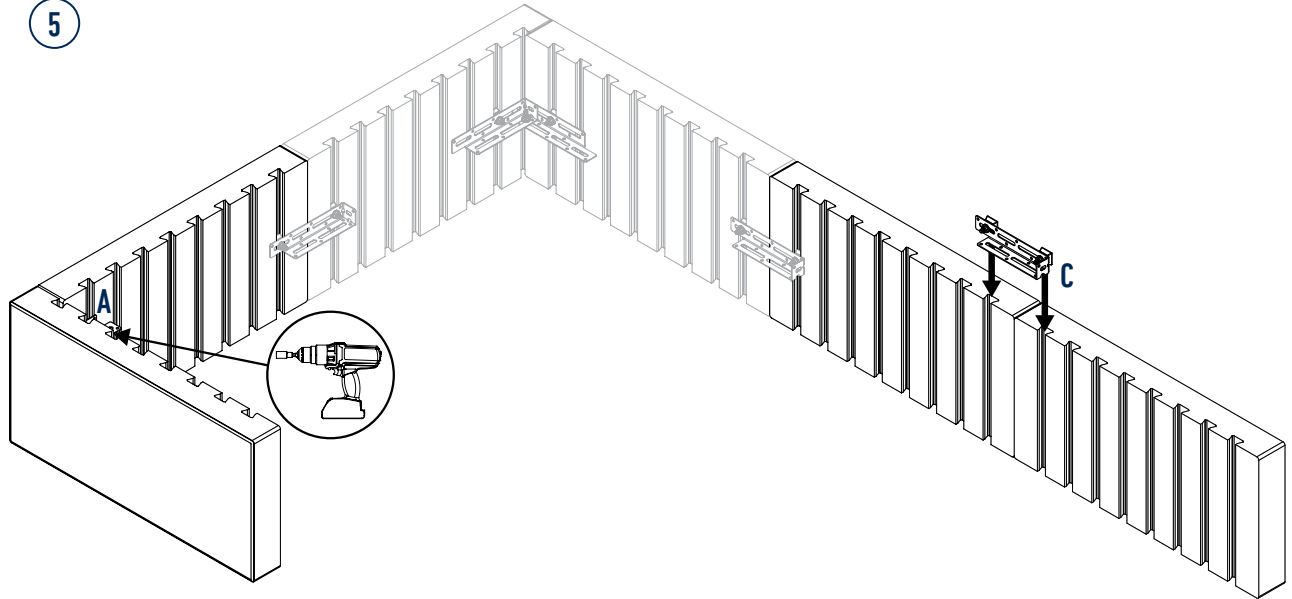




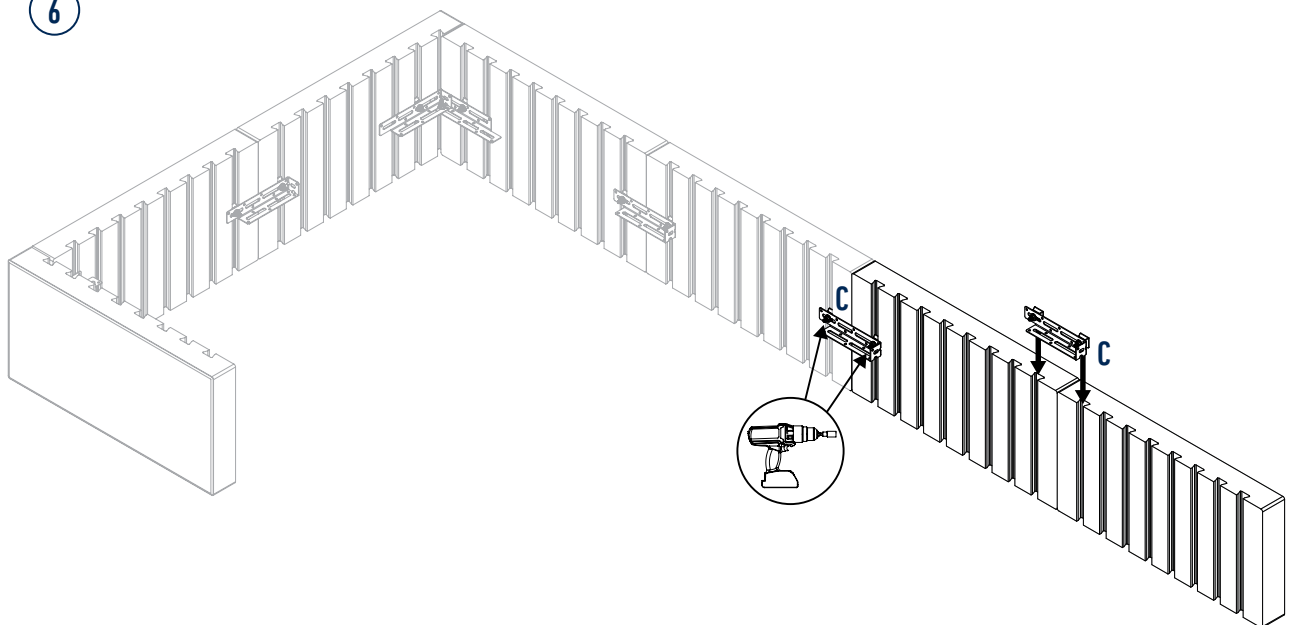
# DESIGNFORMS™

## 1.5 FT RECTANGULAR GARDEN BED - CONCRETE TOP

5



6

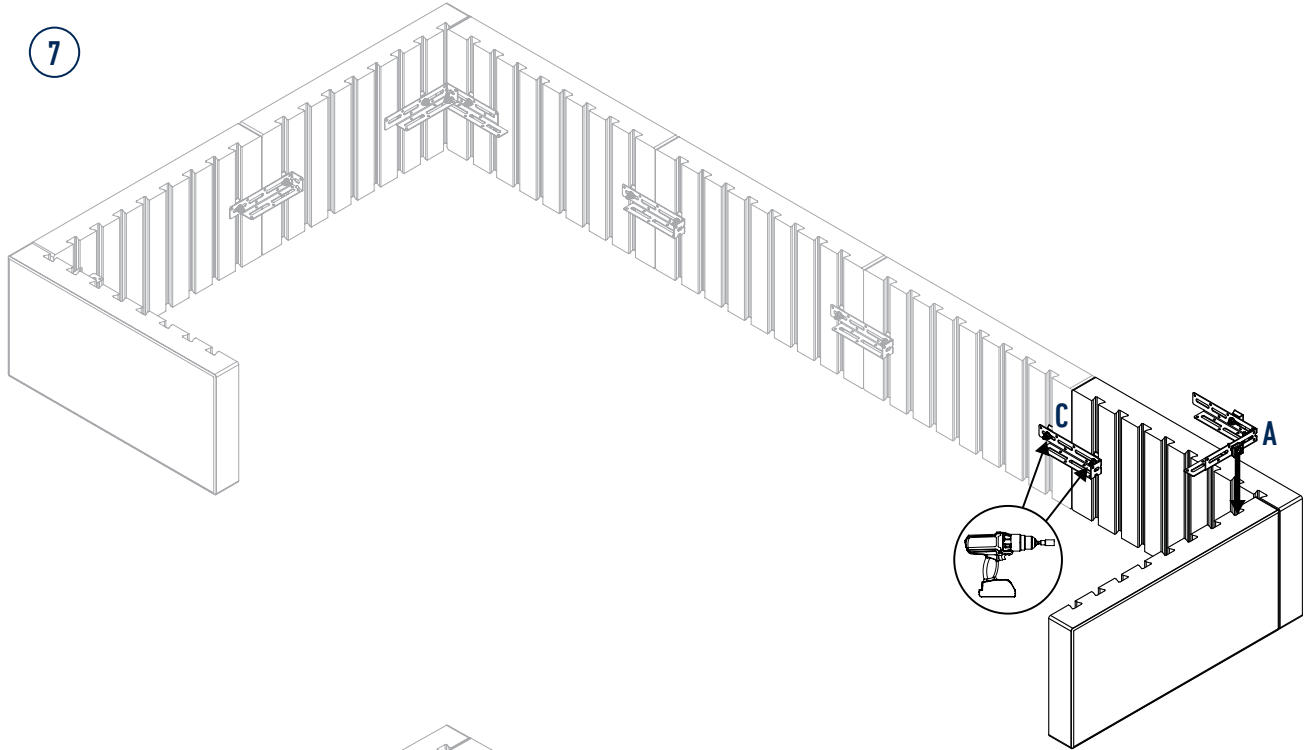




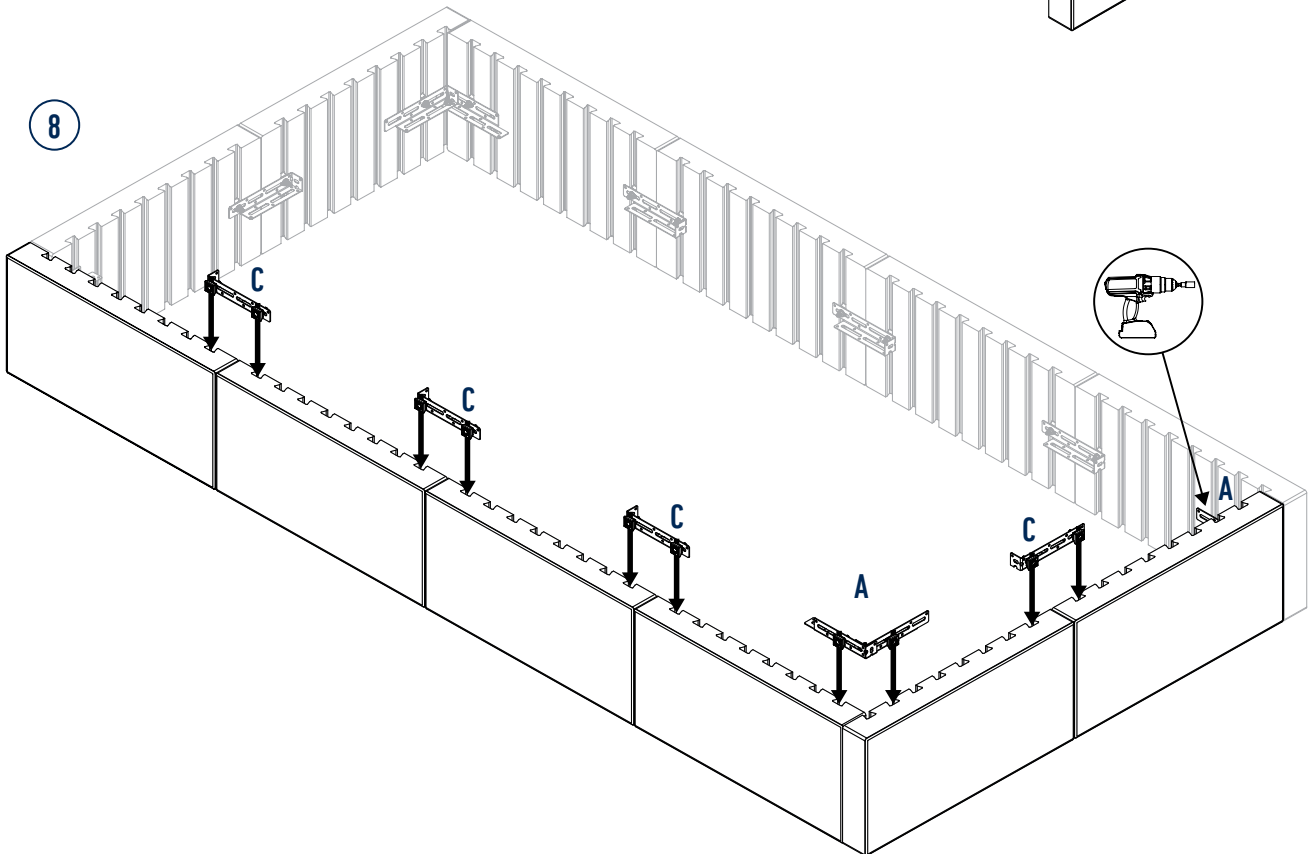
# DESIGNFORMS™

## 1.5 FT RECTANGULAR GARDEN BED - CONCRETE TOP

7

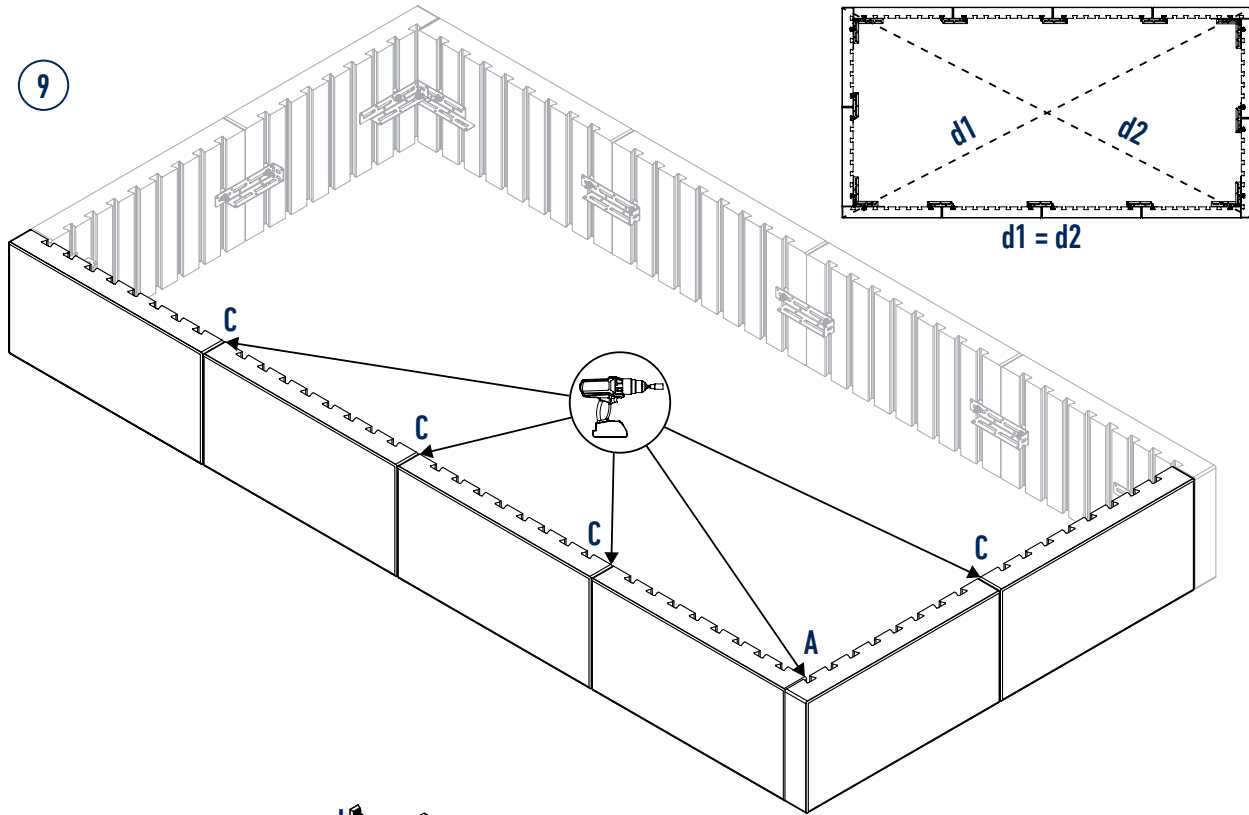


8

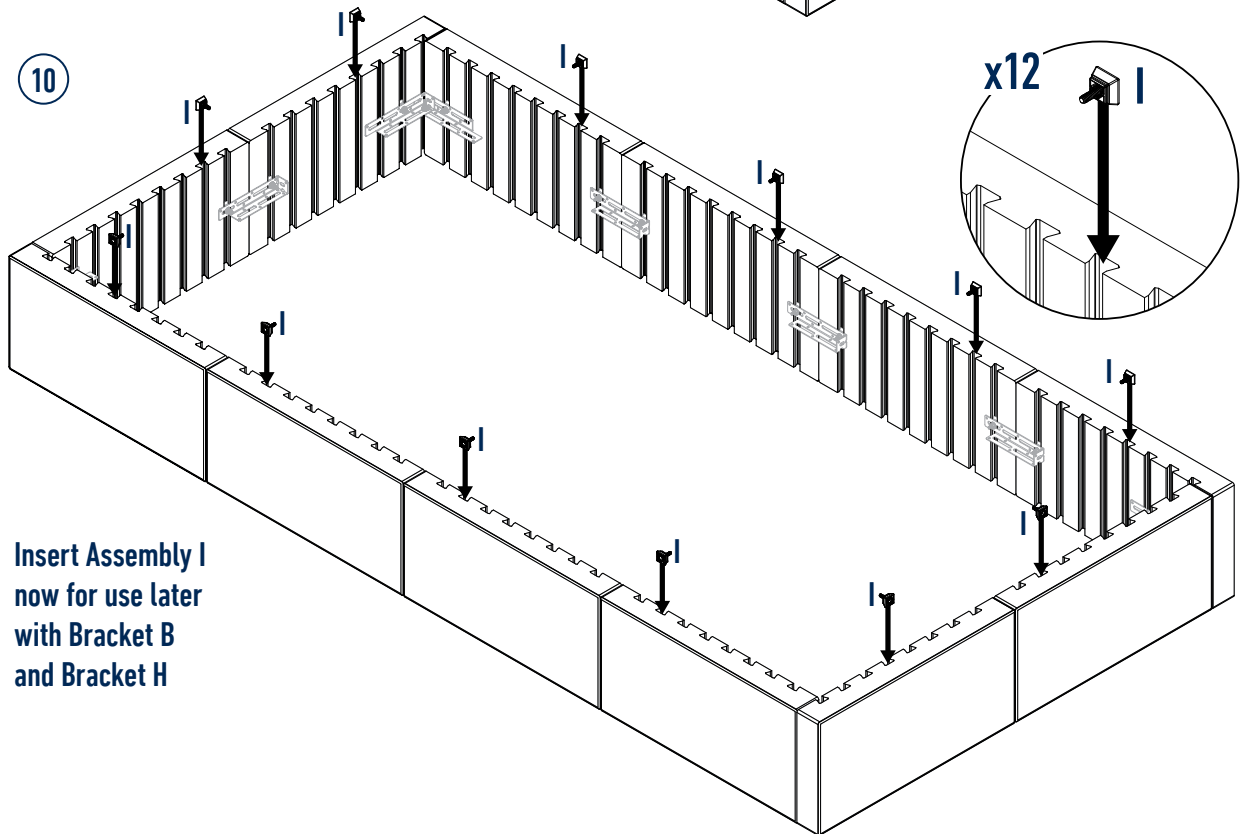




9



10



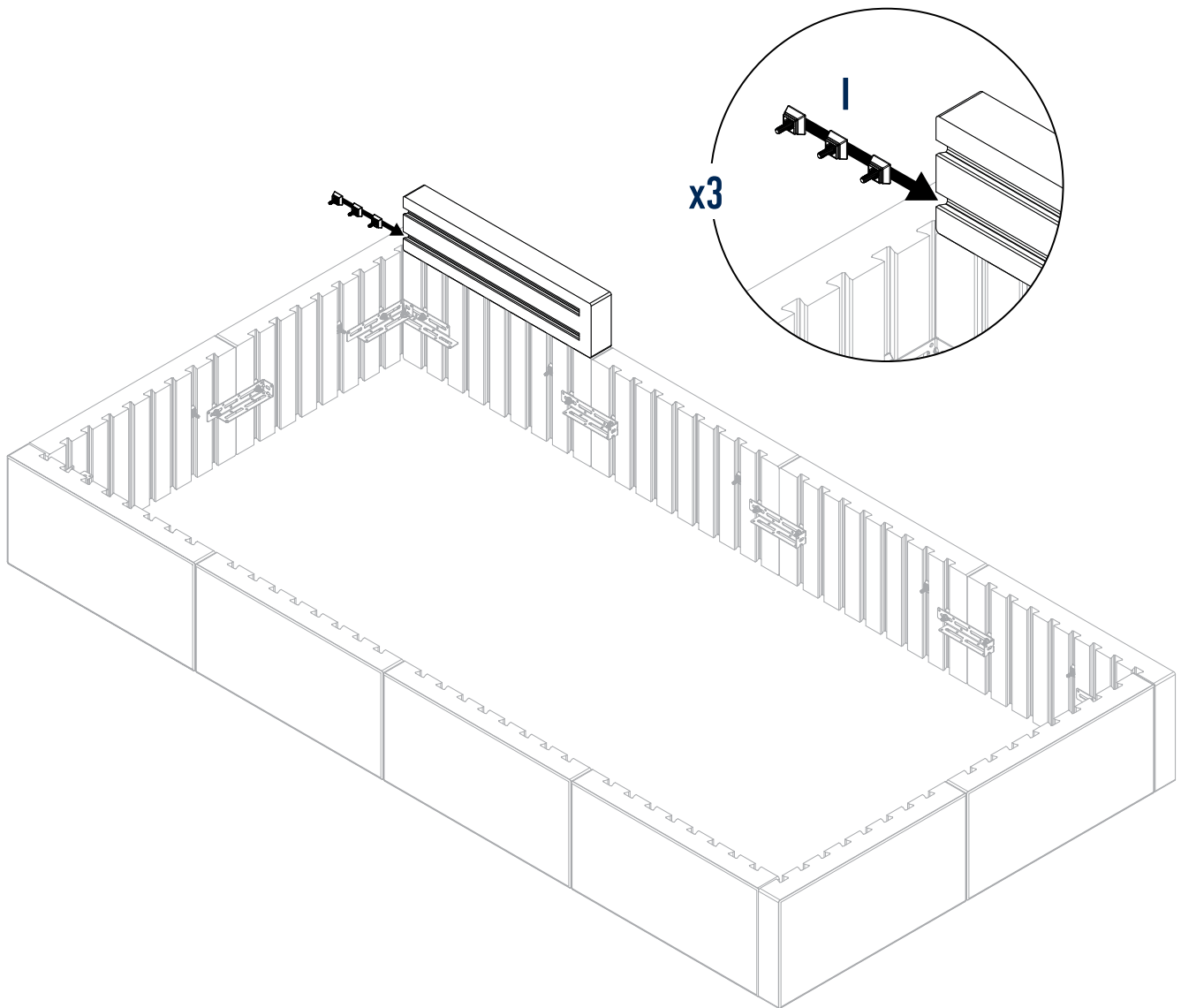
Insert Assembly I  
now for use later  
with Bracket B  
and Bracket H



**DESIGNFORMS™**

**1.5 FT RECTANGULAR GARDEN BED  
- CONCRETE TOP**

11

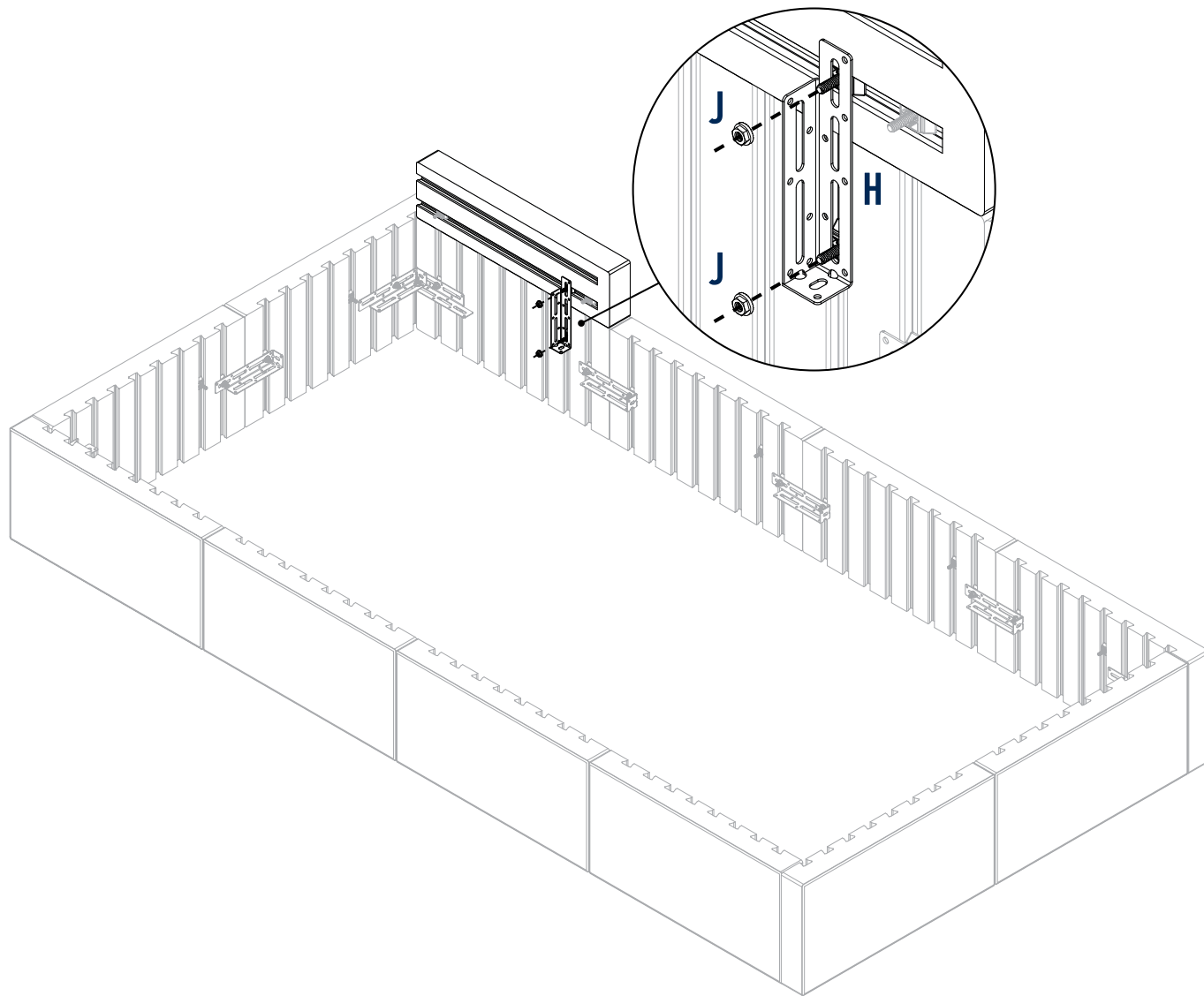




**DESIGNFORMS™**

**1.5 FT RECTANGULAR GARDEN BED  
- CONCRETE TOP**

12

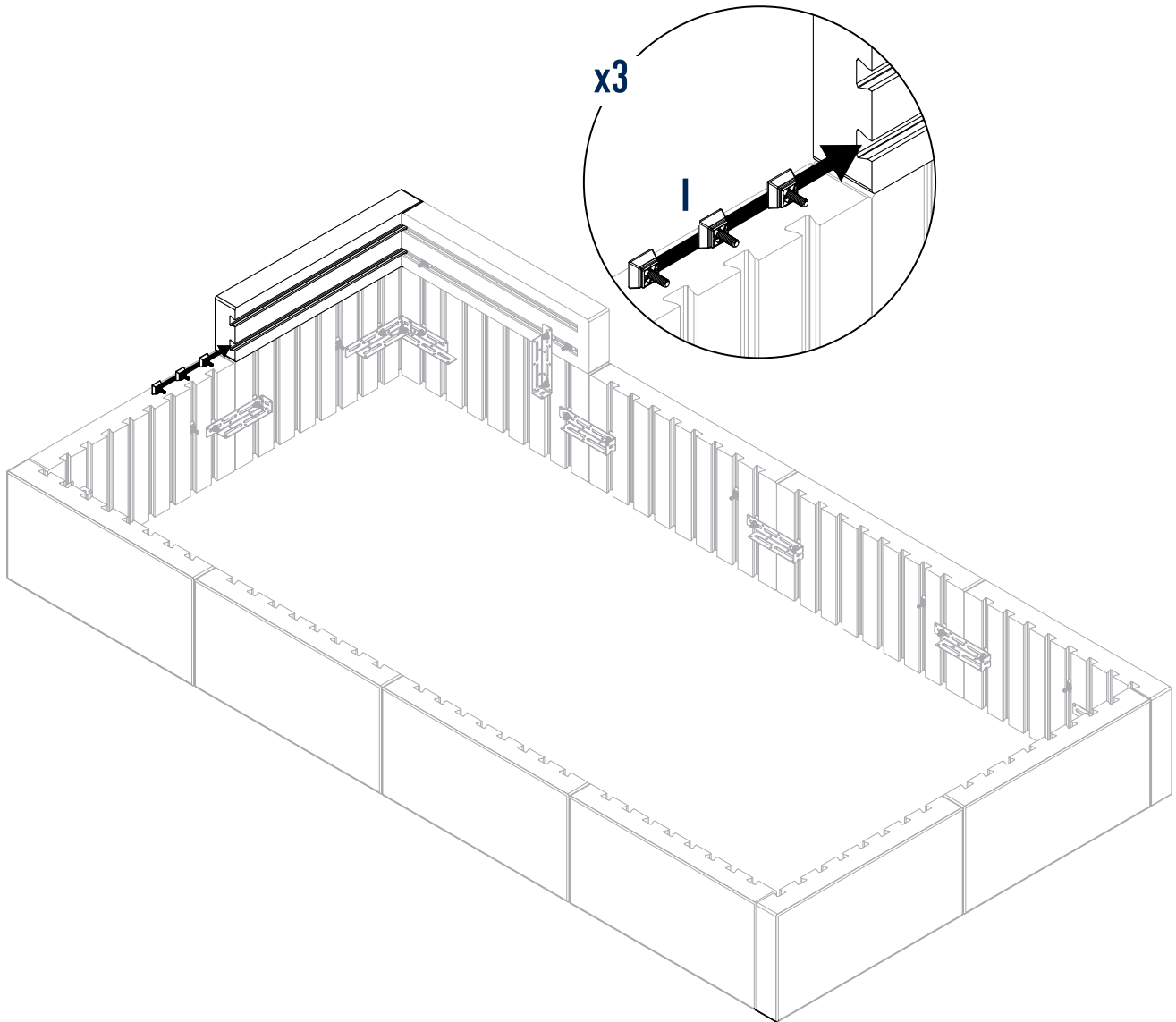




# DESIGNFORMS™

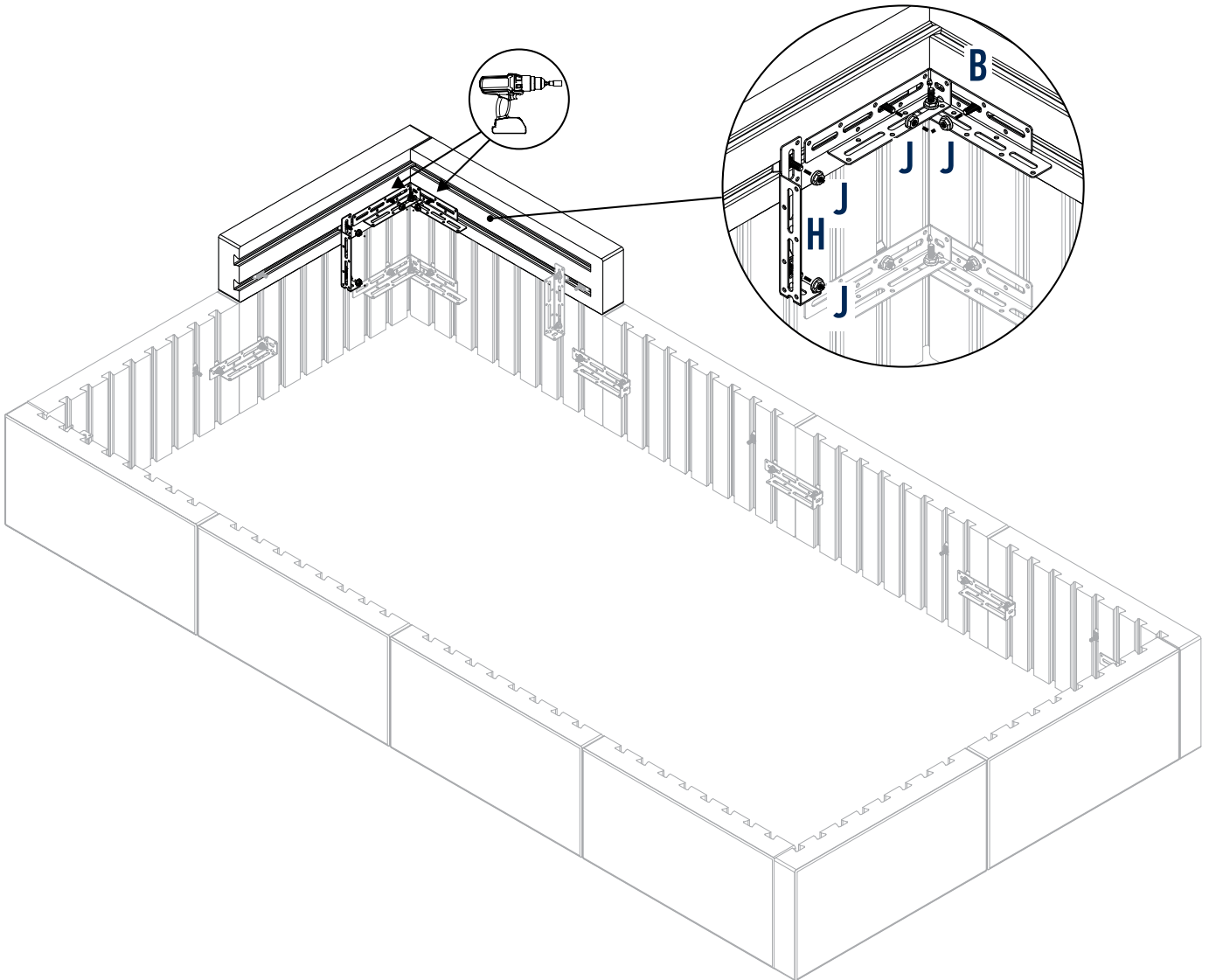
## 1.5 FT RECTANGULAR GARDEN BED - CONCRETE TOP

13





14

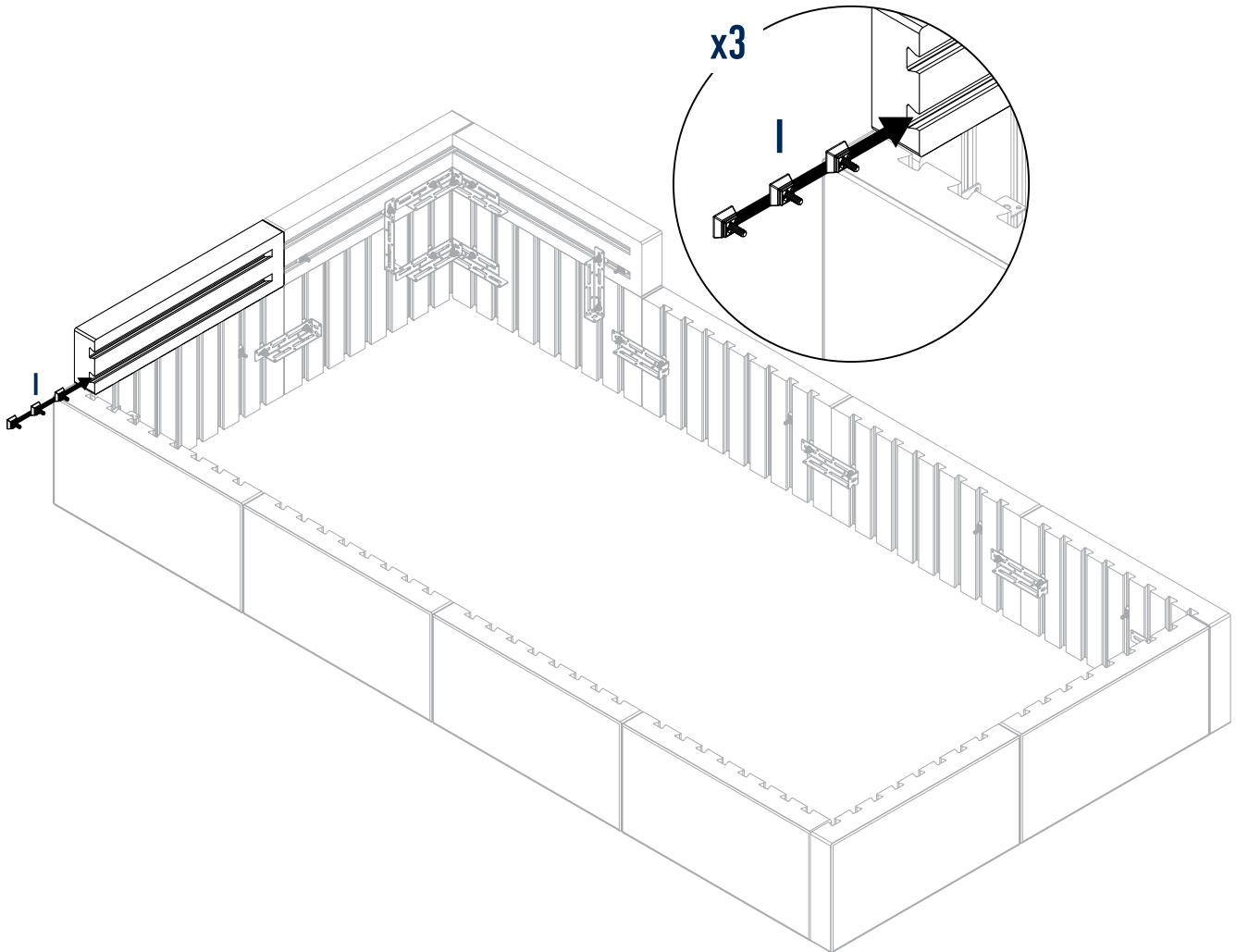




**DESIGNFORMS™**

**1.5 FT RECTANGULAR GARDEN BED  
- CONCRETE TOP**

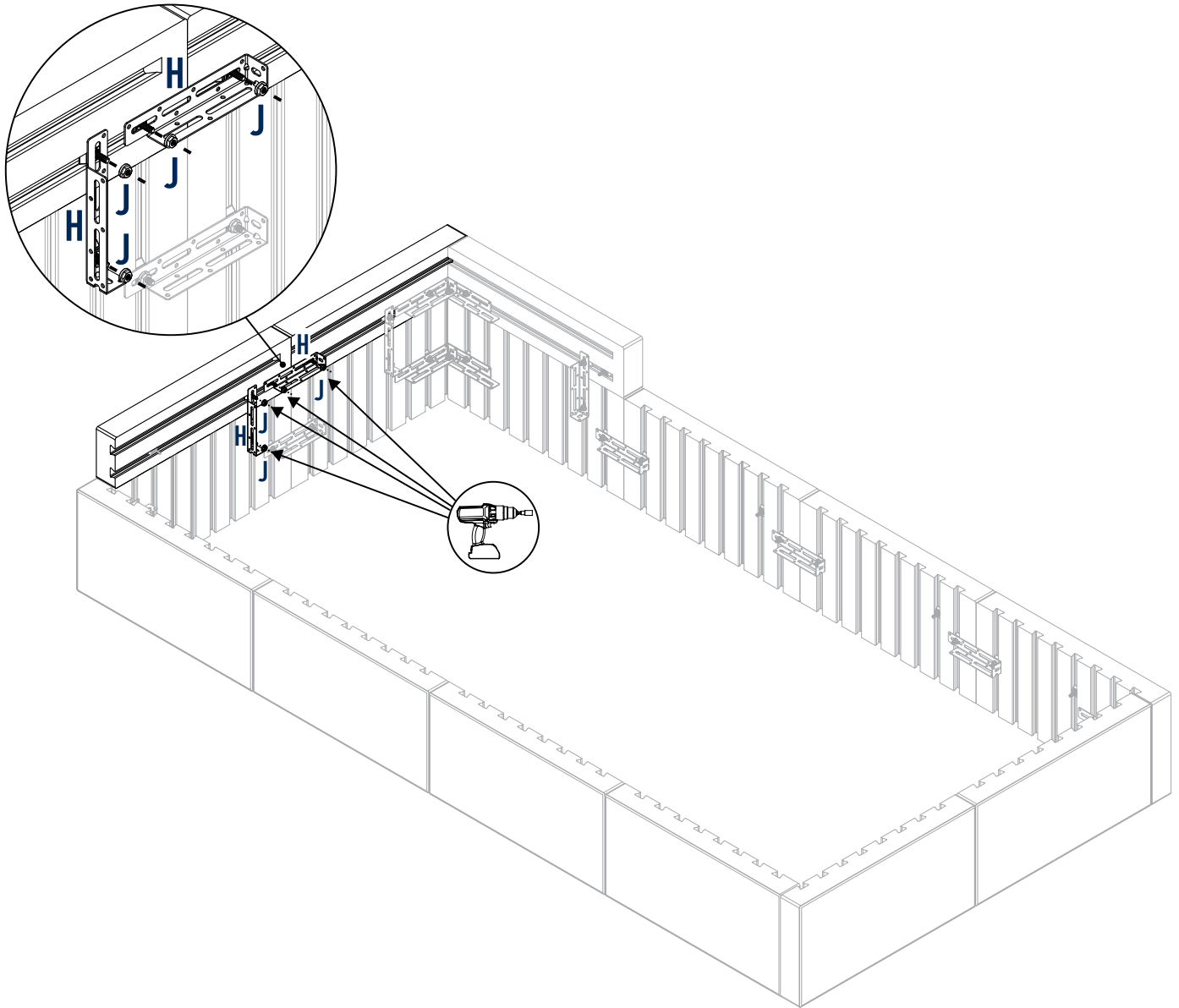
15







16

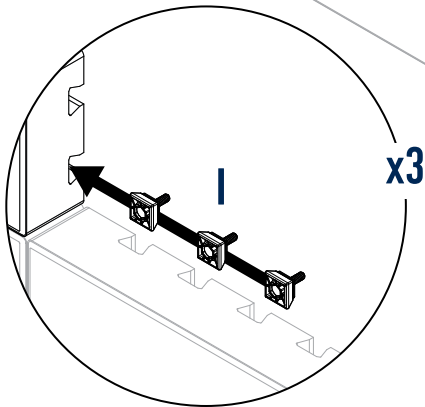
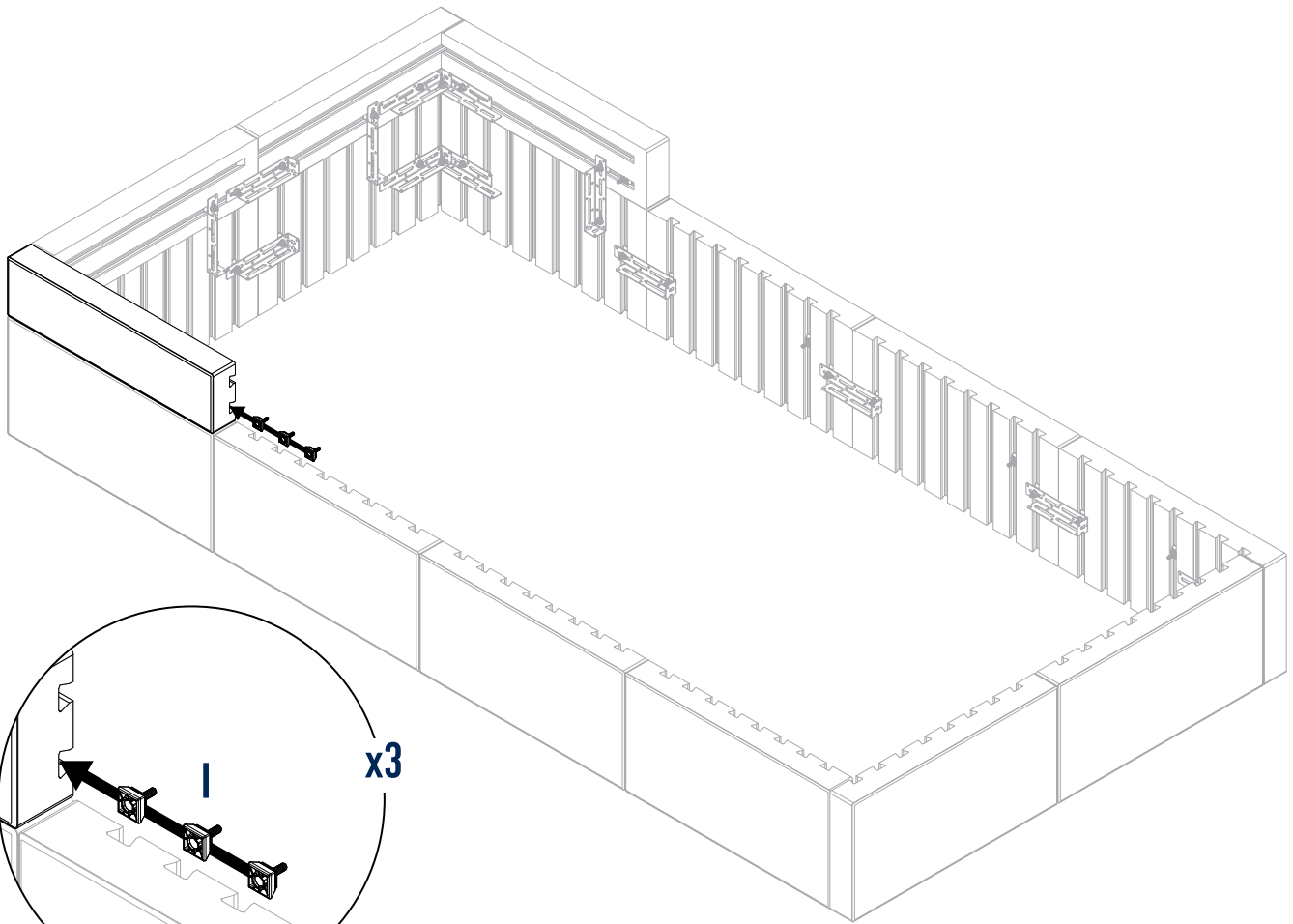




**DESIGNFORMS™**

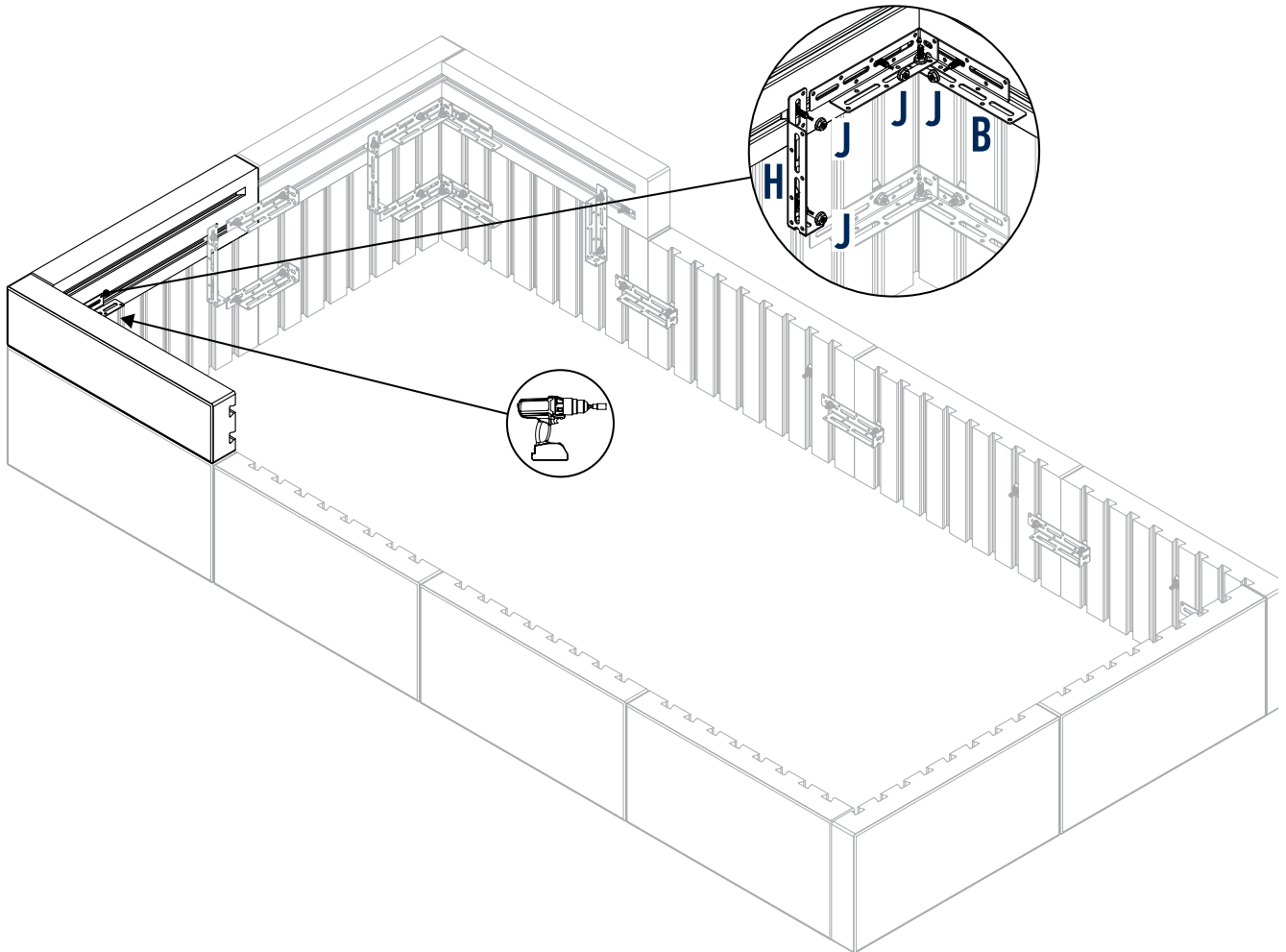
**1.5 FT RECTANGULAR GARDEN BED  
- CONCRETE TOP**

17



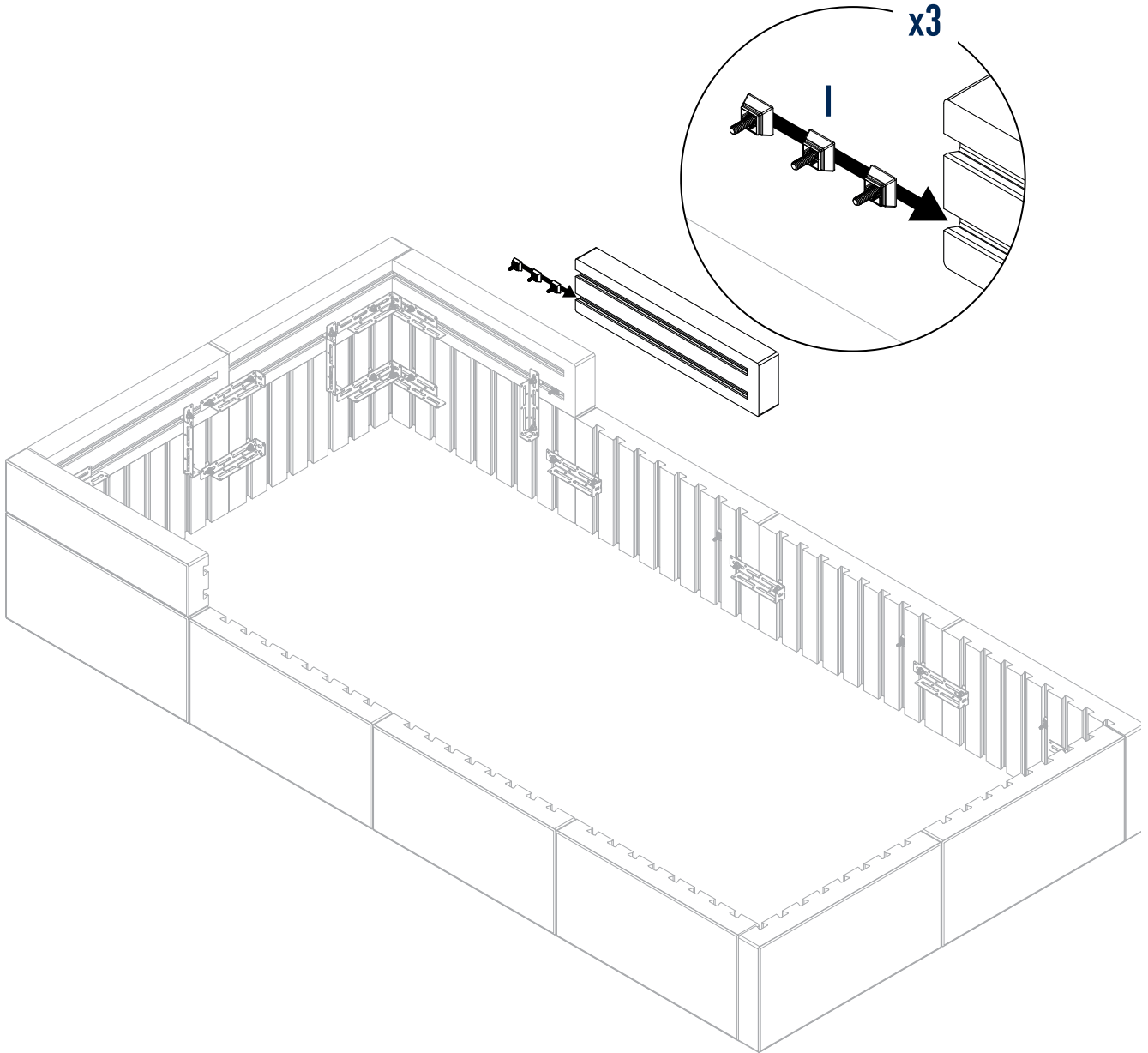


18



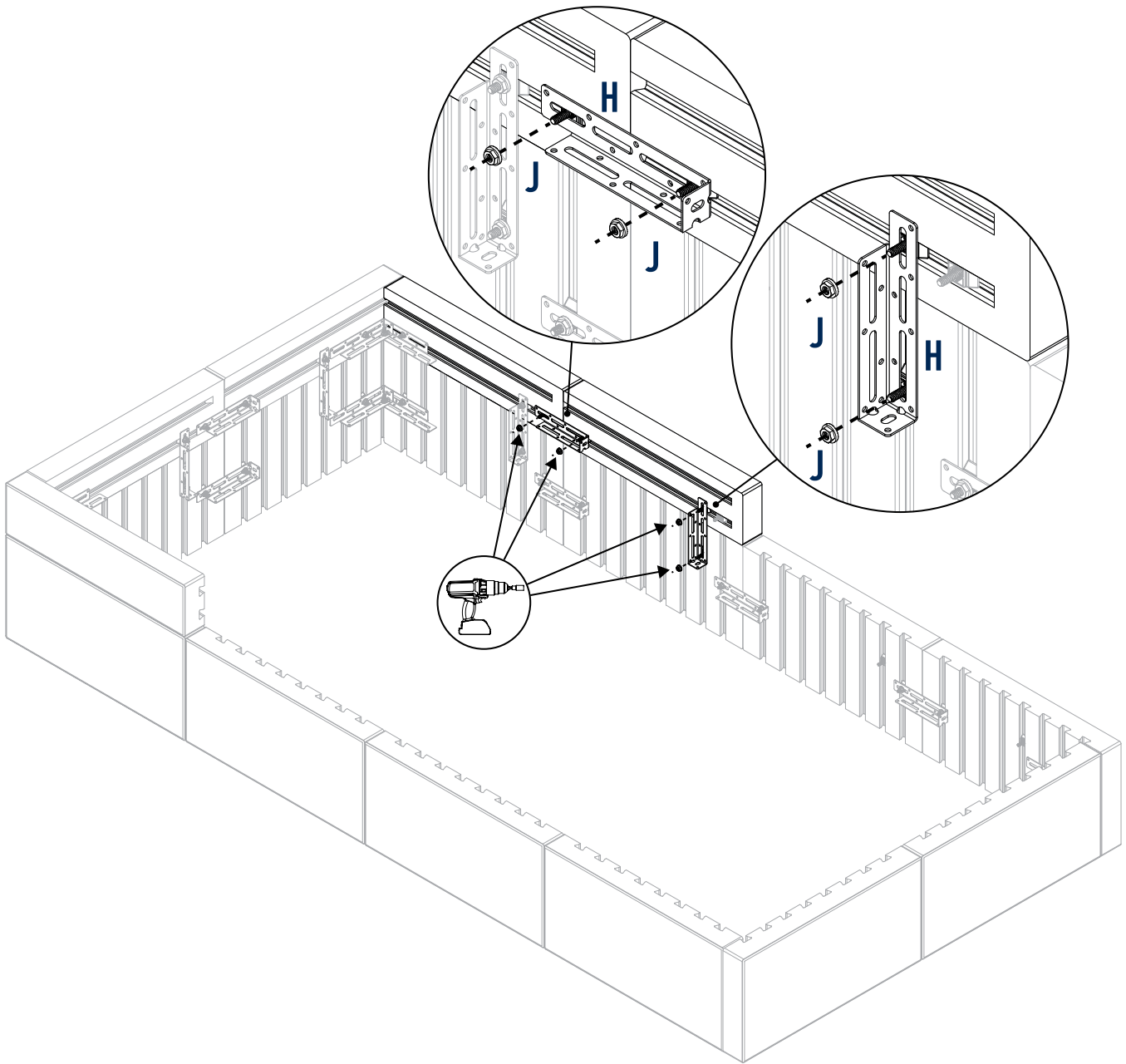


19





20

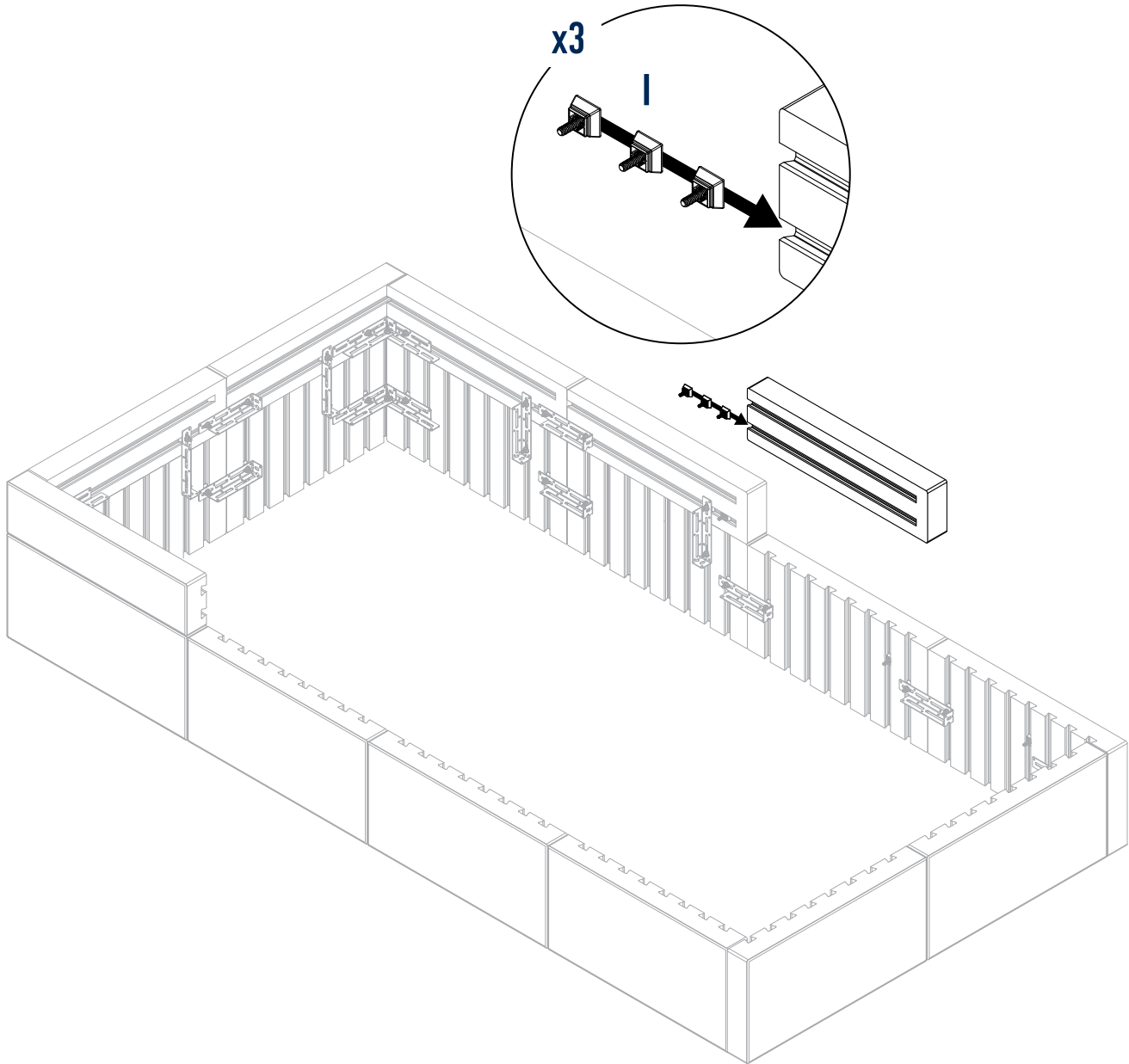




# DESIGNFORMS™

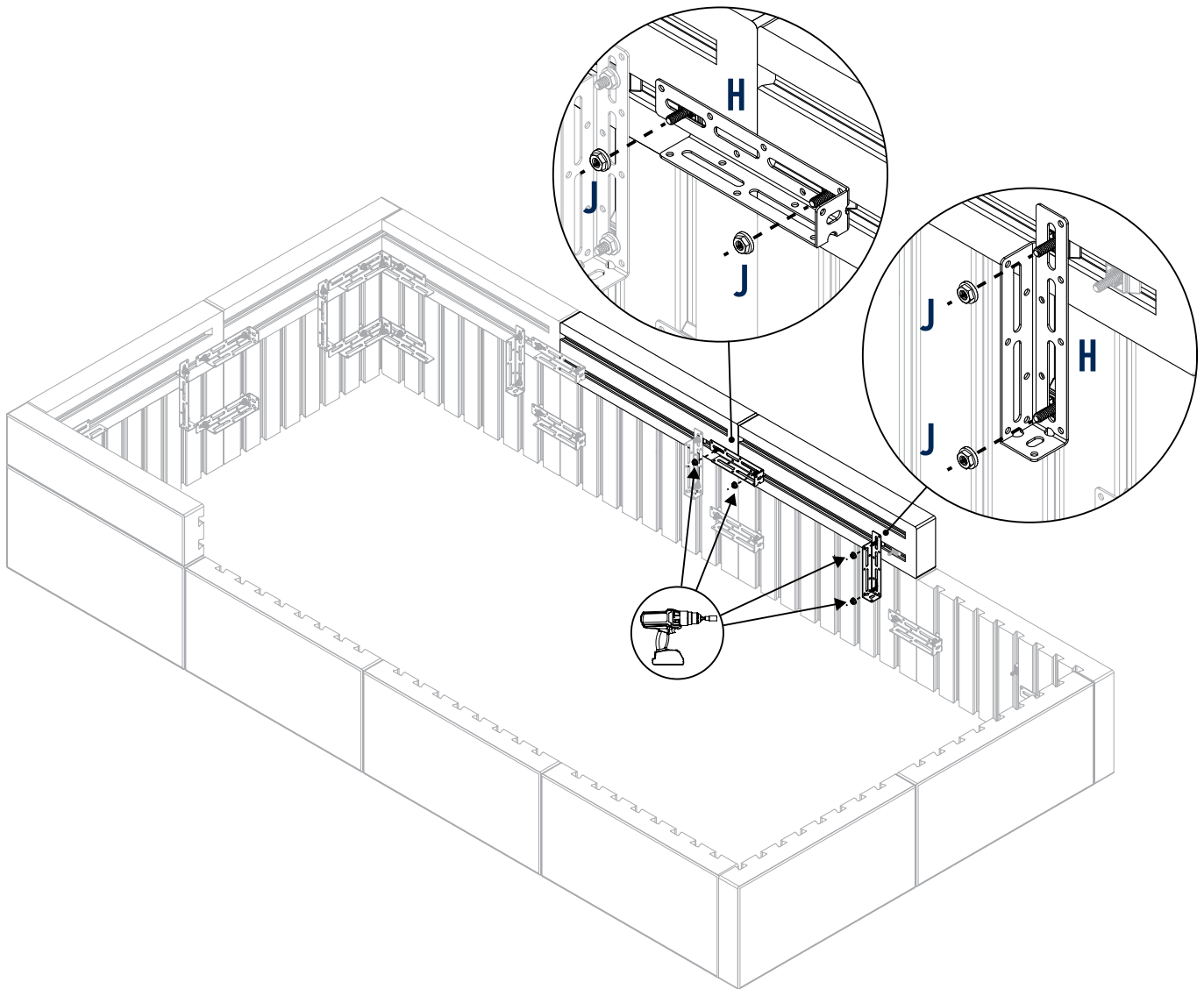
## 1.5 FT RECTANGULAR GARDEN BED - CONCRETE TOP

21





22

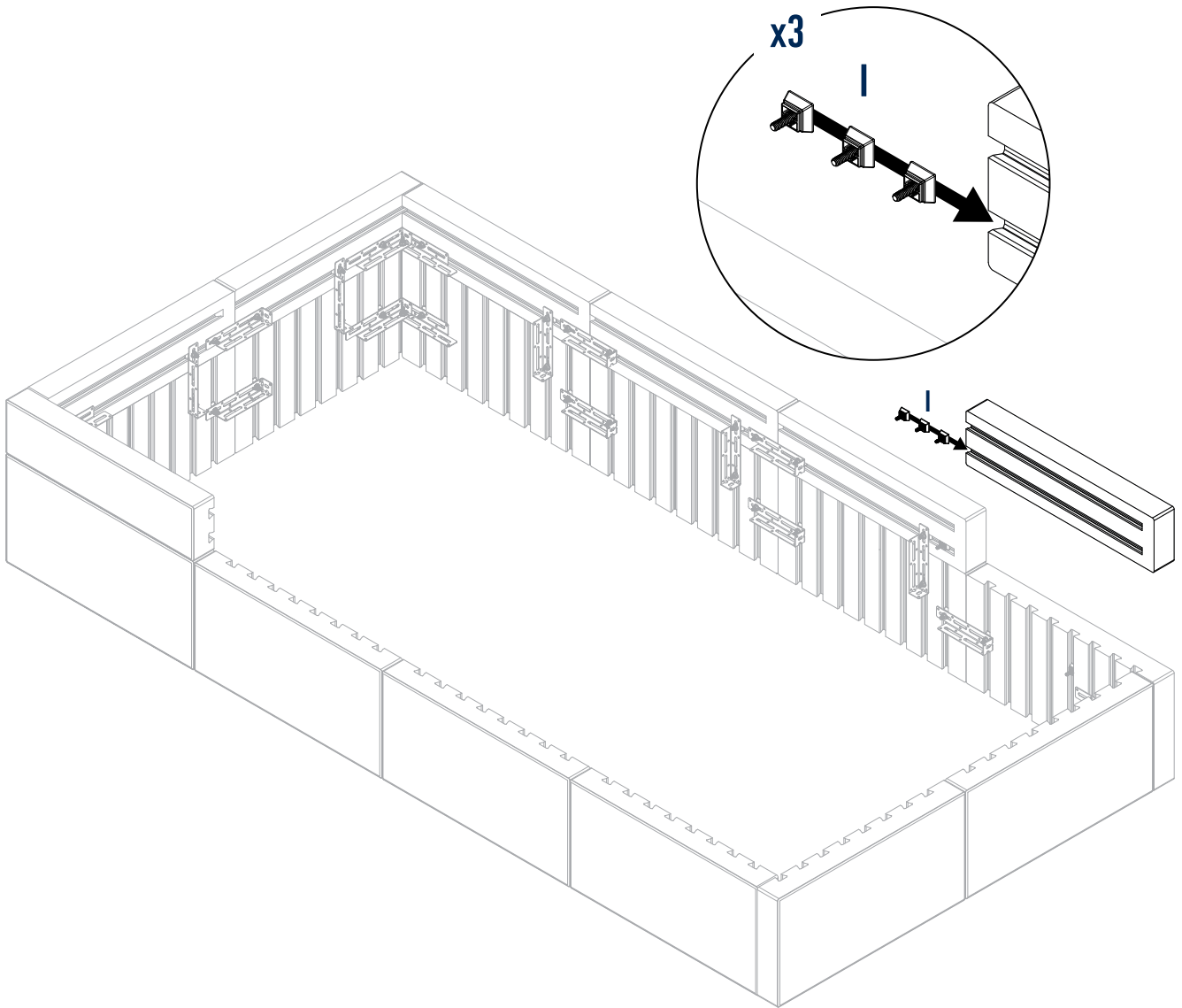




**DESIGNFORMS™**

**1.5 FT RECTANGULAR GARDEN BED  
- CONCRETE TOP**

23



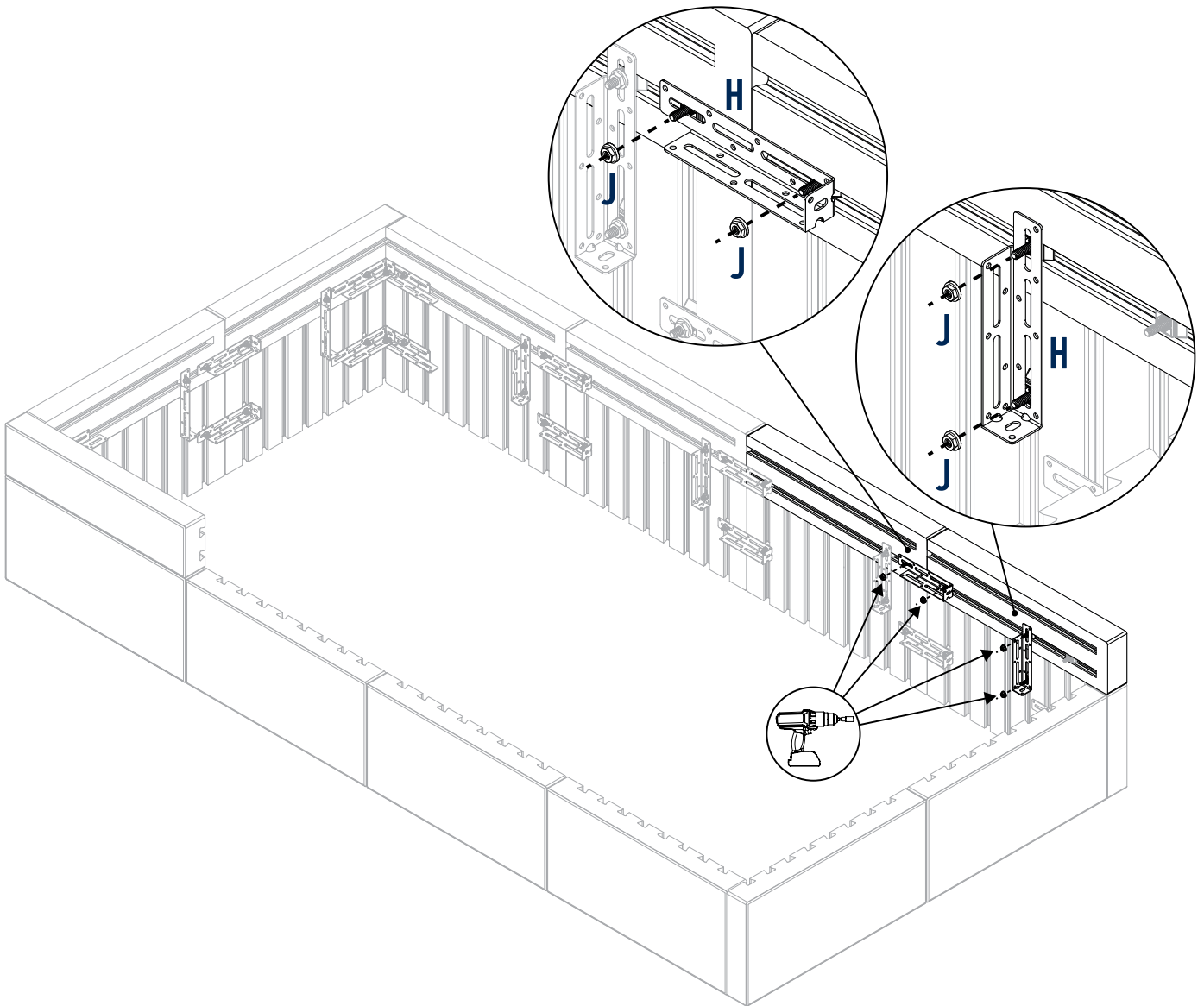




# DESIGNFORMS™

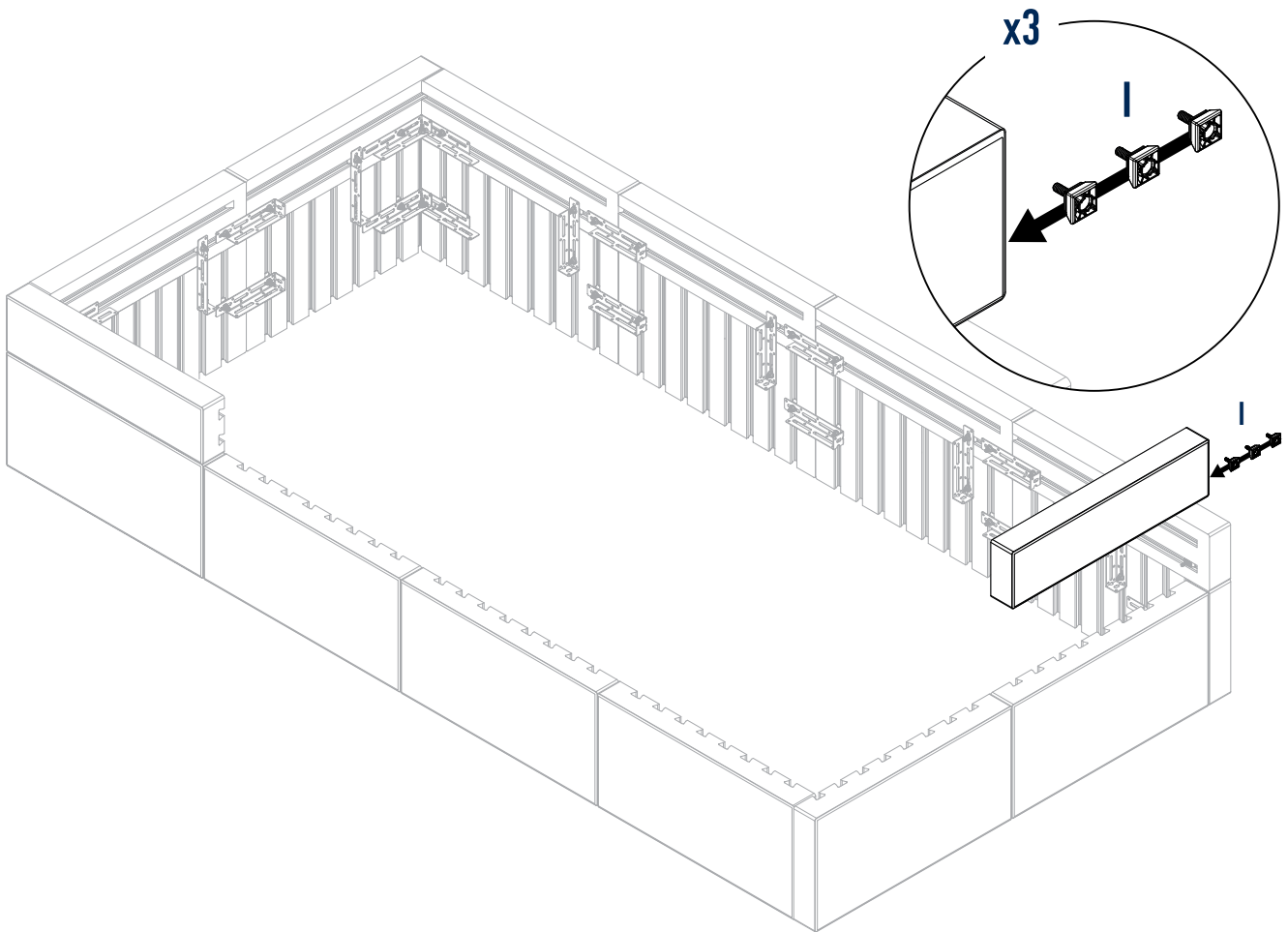
## 1.5 FT RECTANGULAR GARDEN BED - CONCRETE TOP

24



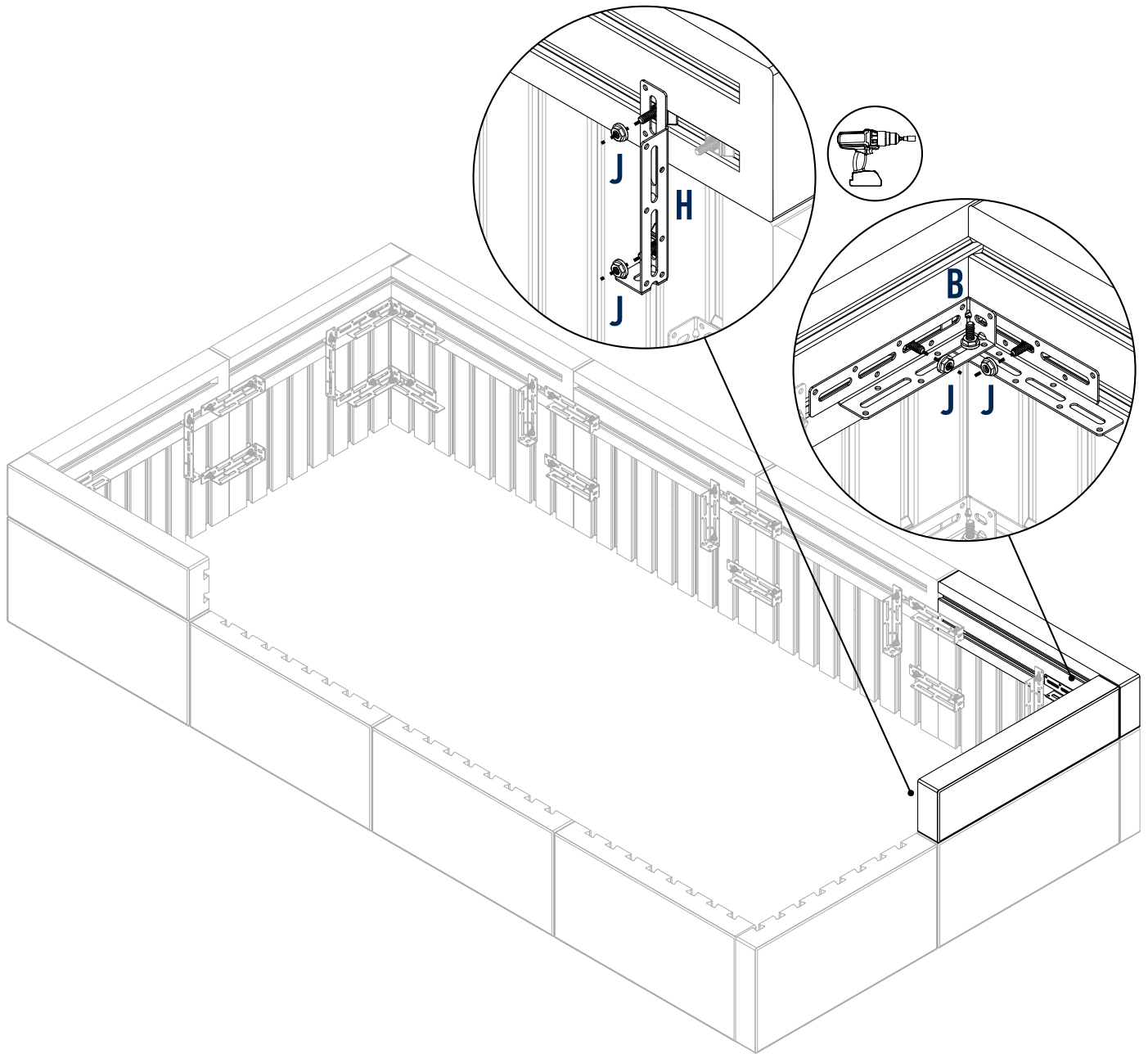


25





26

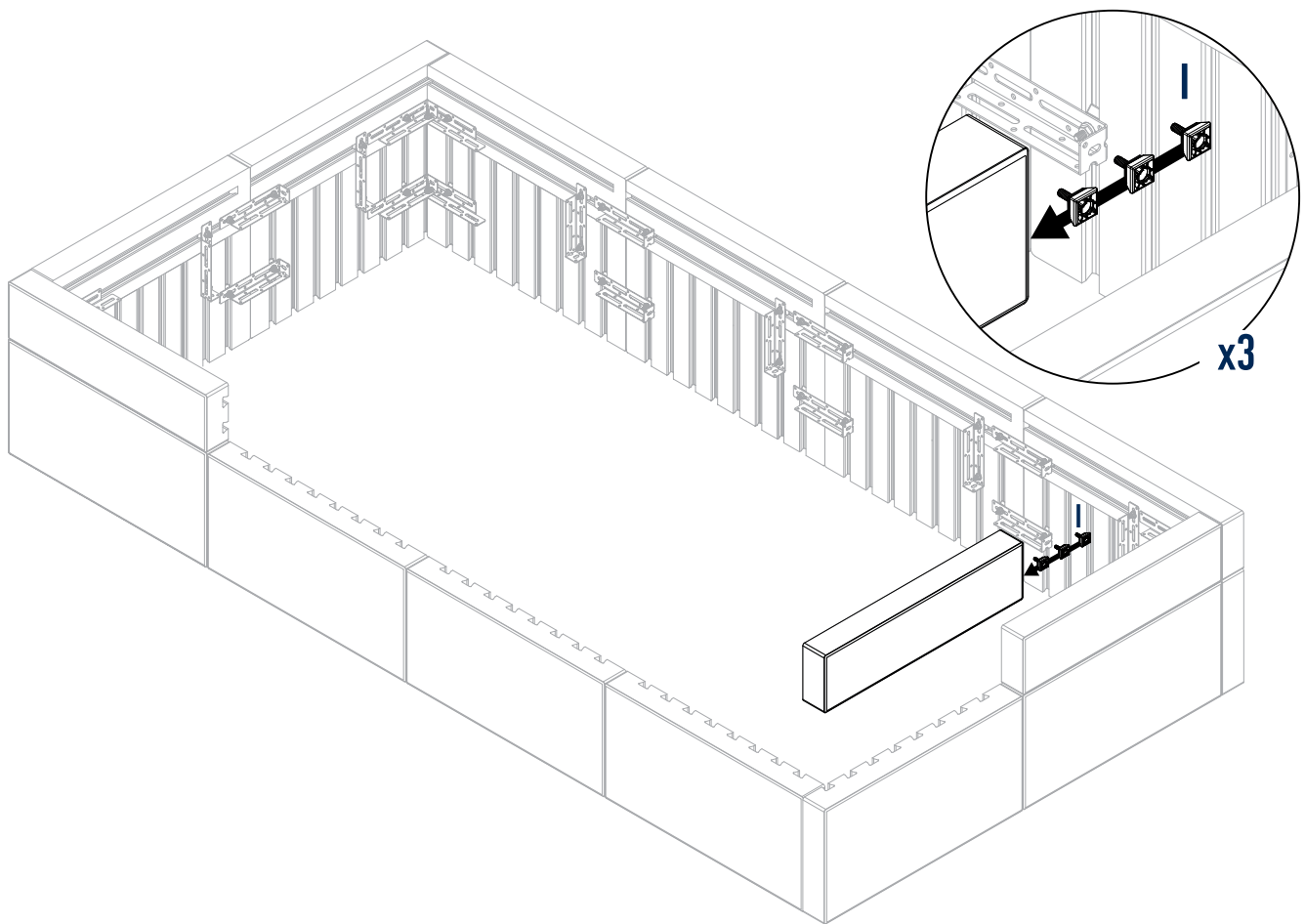




# DESIGNFORMS™

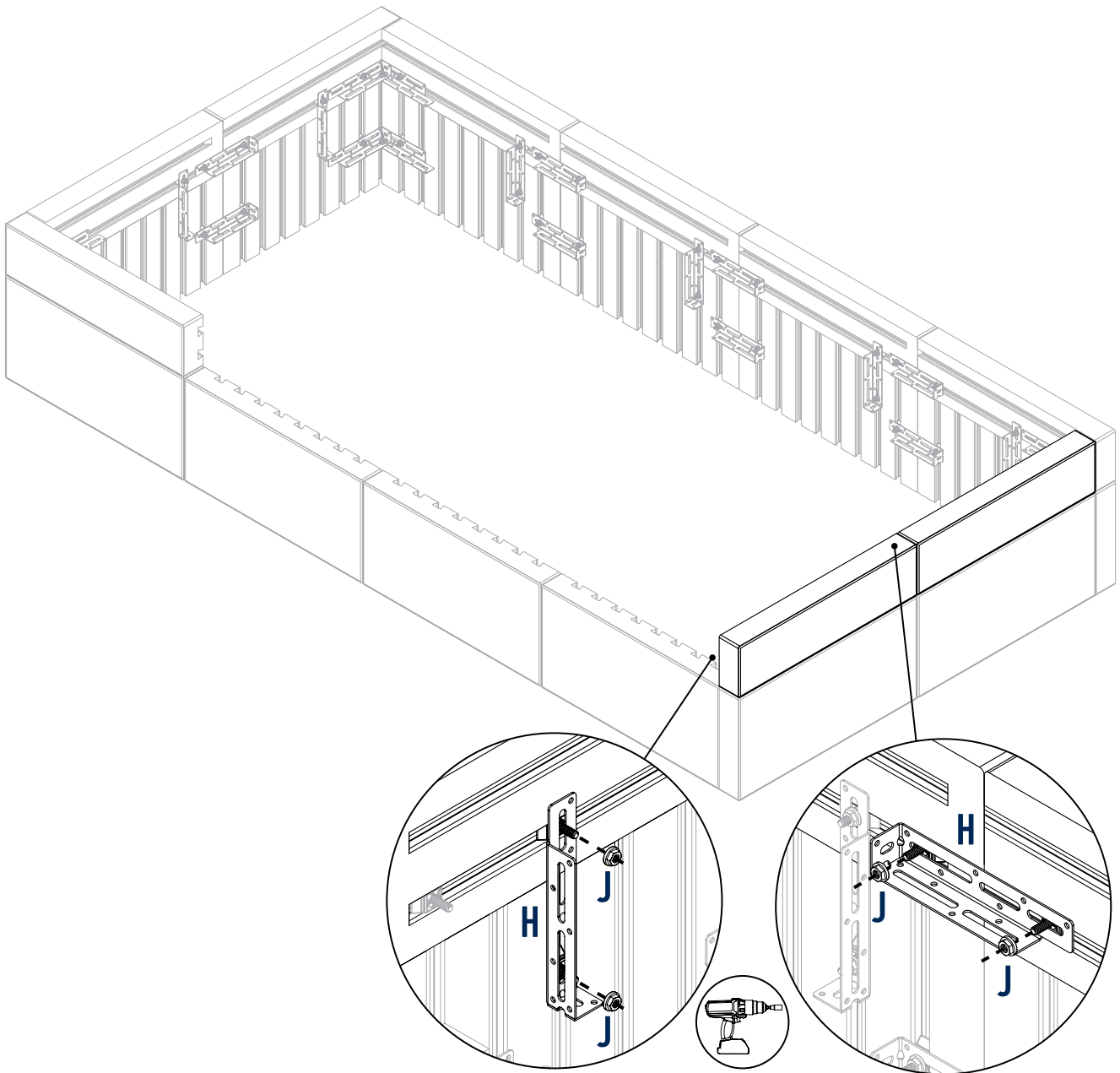
## 1.5 FT RECTANGULAR GARDEN BED - CONCRETE TOP

27





28

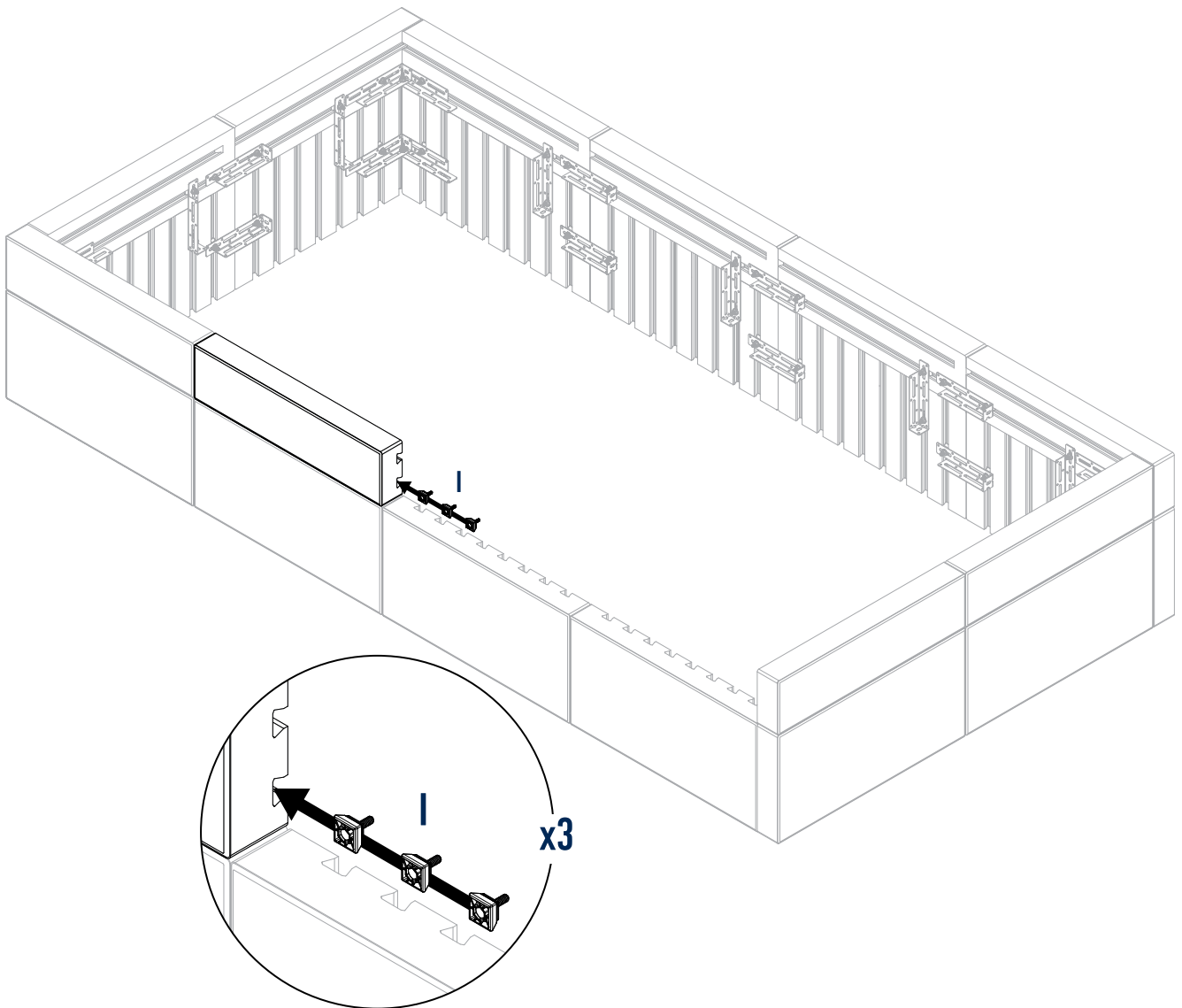




**DESIGNFORMS™**

**1.5 FT RECTANGULAR GARDEN BED  
- CONCRETE TOP**

29

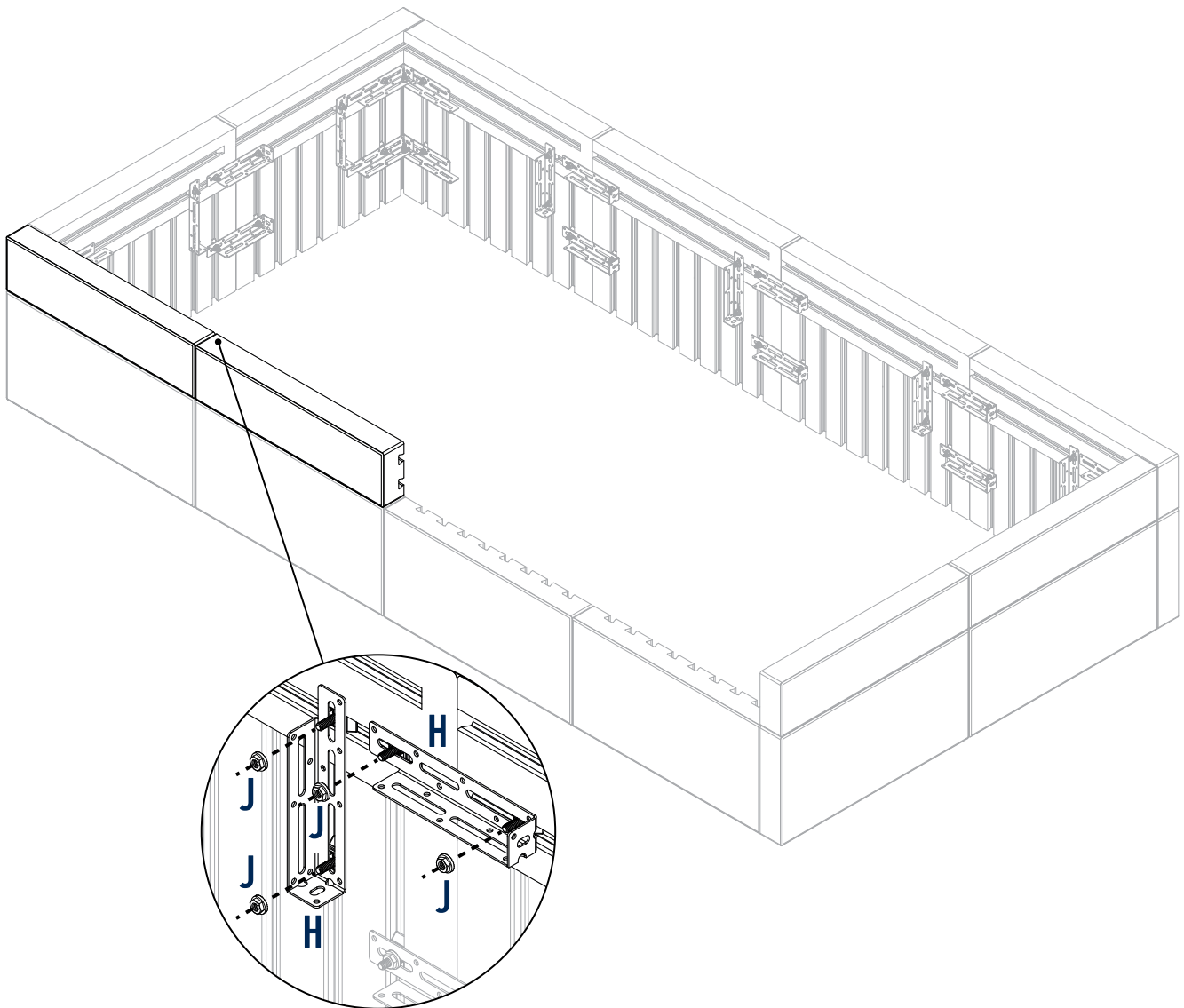




**DESIGNFORMS™**

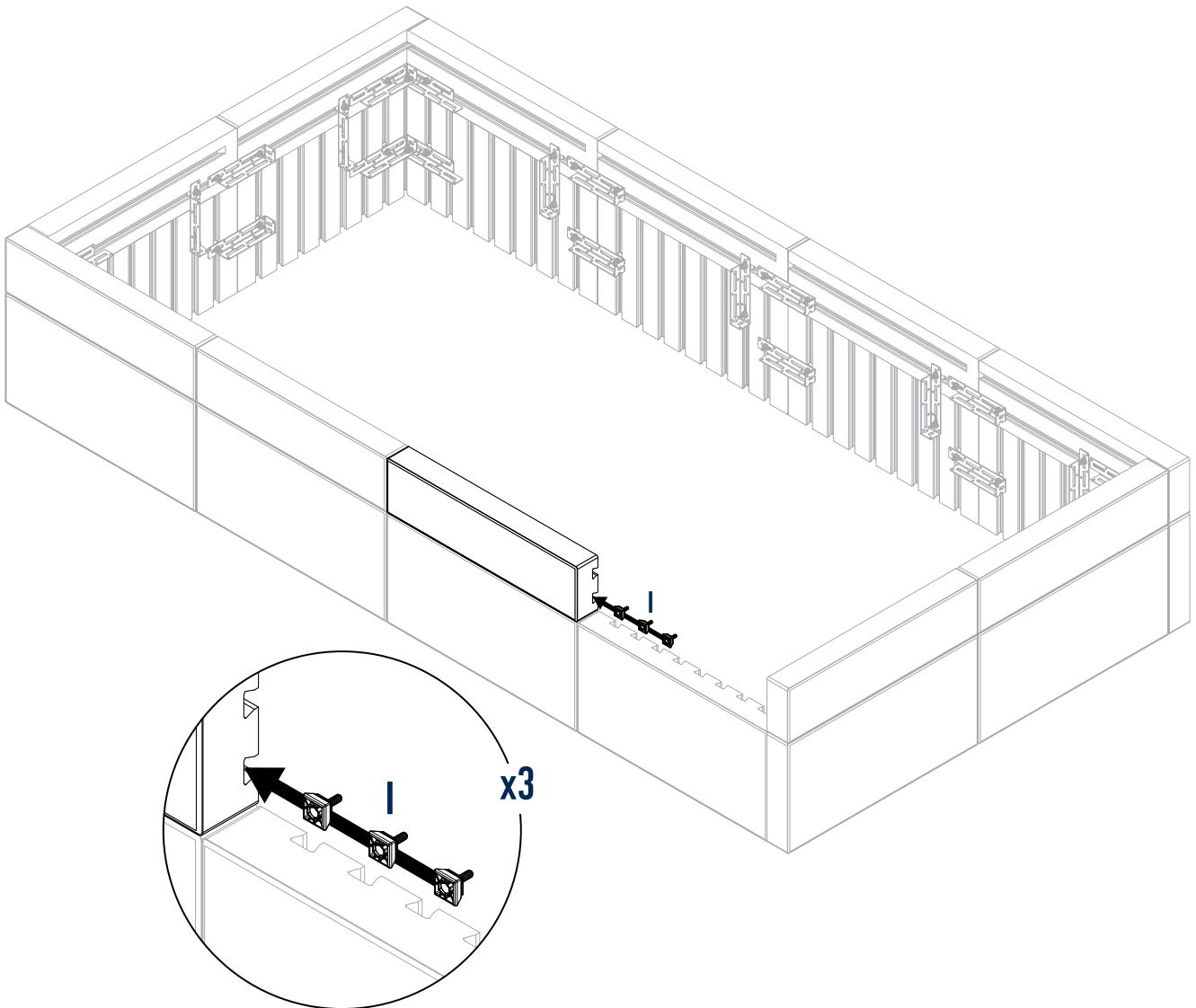
**1.5 FT RECTANGULAR GARDEN BED  
- CONCRETE TOP**

30





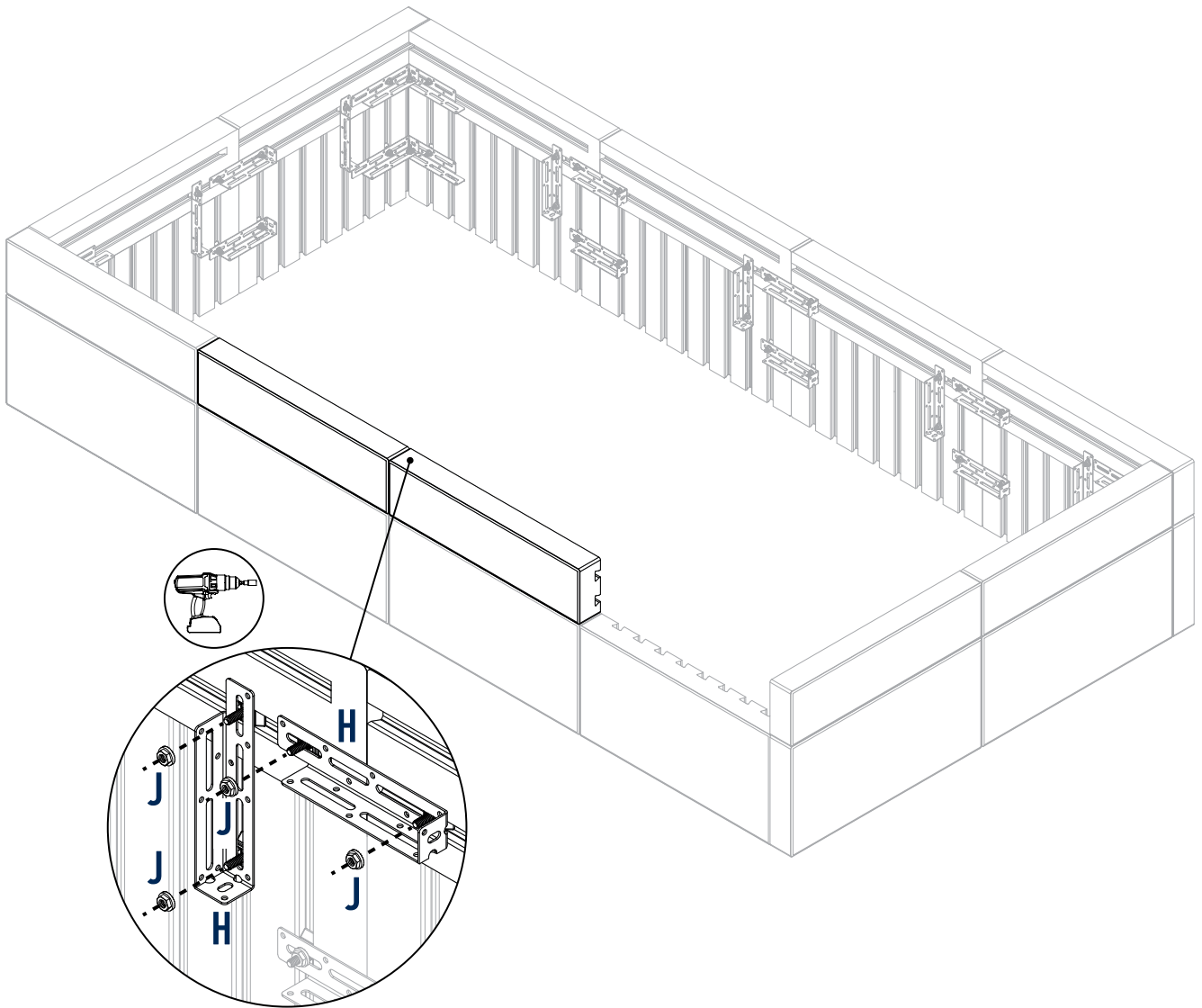
31





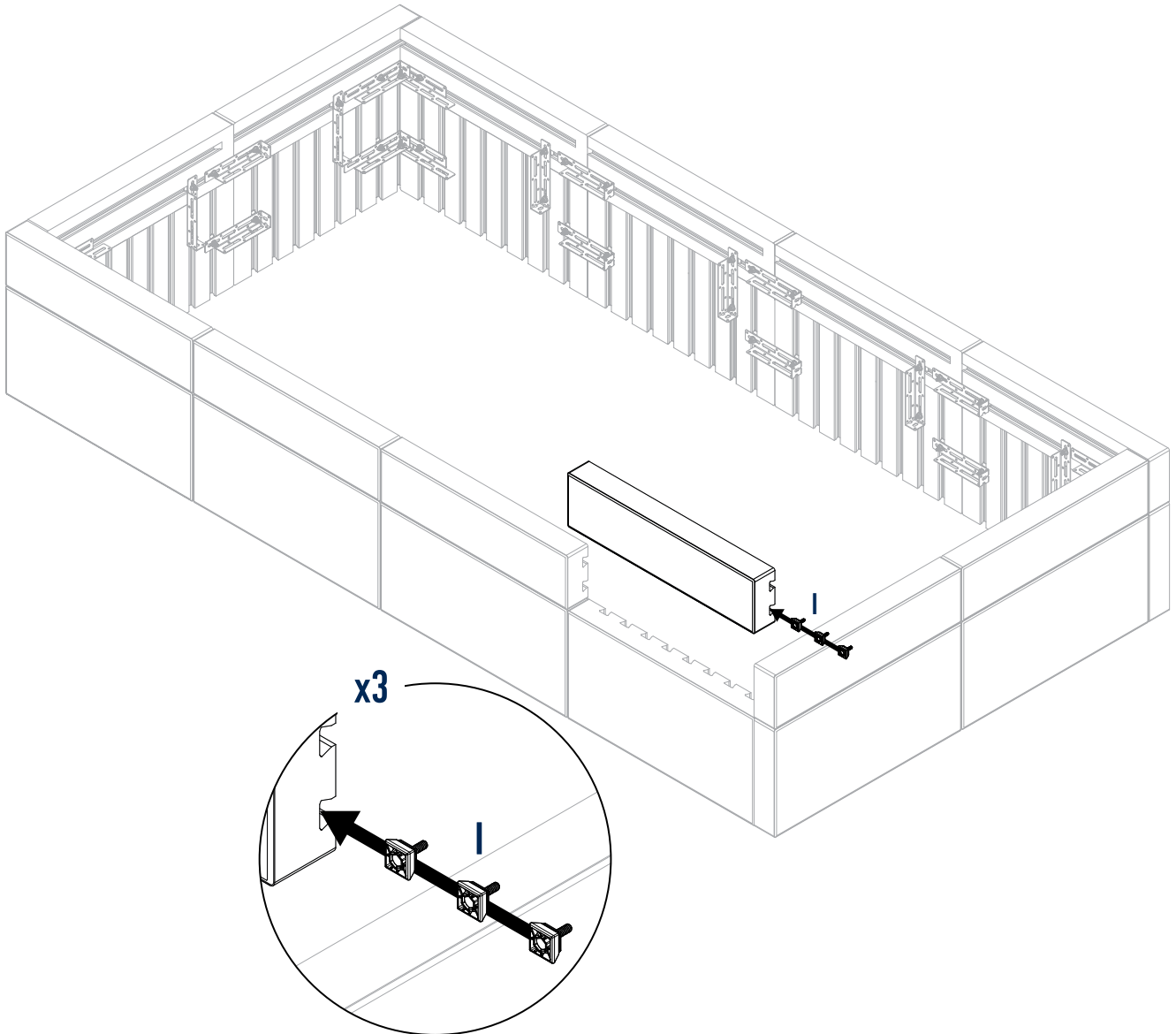


32





33





34

