



DESIGNFORMS™

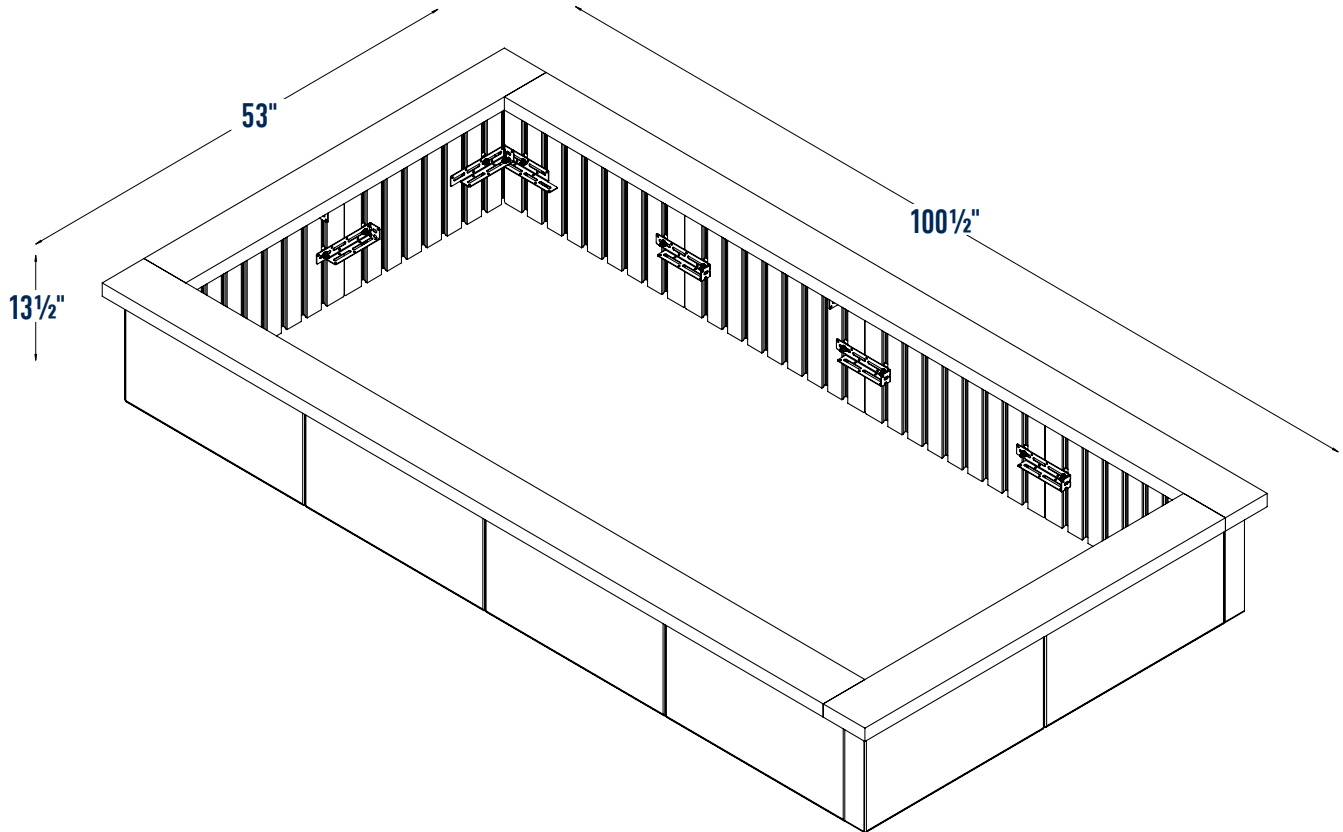


**1 FT RECTANGULAR GARDEN BED
- WOOD TOP**

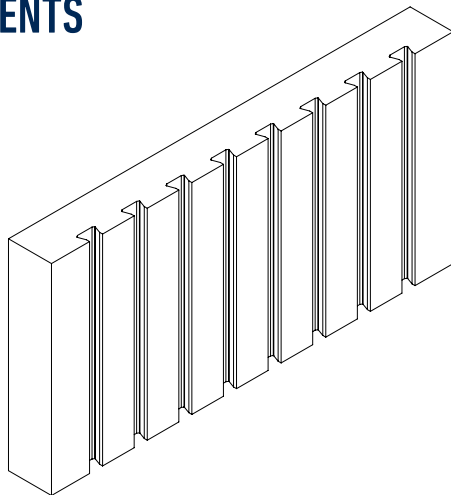


DESIGNFORMS™

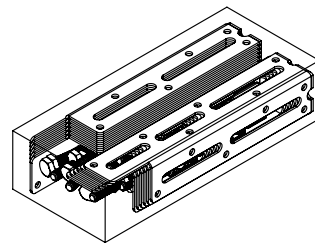
1 FT RECTANGULAR GARDEN BED - WOOD TOP



COMPONENTS

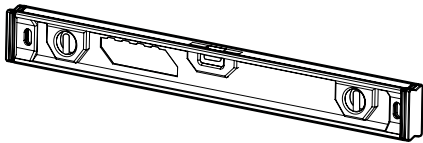


Large Panel (x12)
12" x 24"

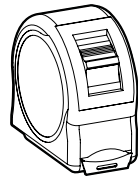


Hardware Kit (x2)

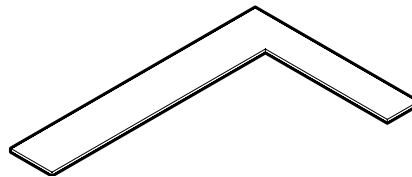
REQUIRED TOOLS



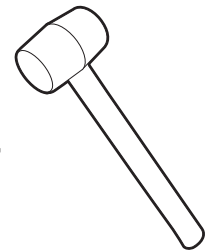
LEVEL



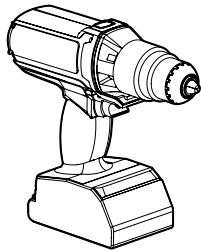
MEASURING TAPE



CARPENTER SQUARE



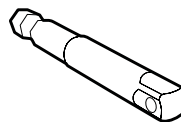
RUBBER Mallet



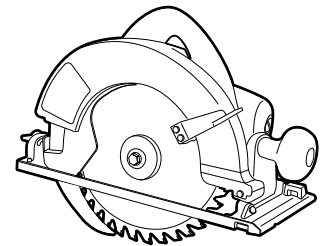
DRILL



**DEEP HEX SOCKET
7/16" WITH 1/4" DRIVE**



**SOCKET ADAPTOR
1/4" HEX SHANK TO 1/4" DRIVE**

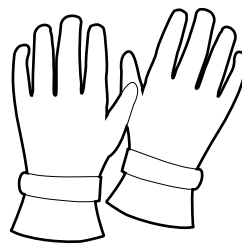


SKILL SAW

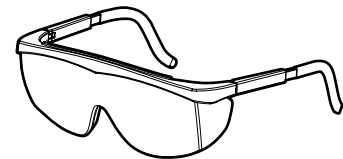
SAFETY EQUIPMENT



SAFETY BOOTS



GLOVES

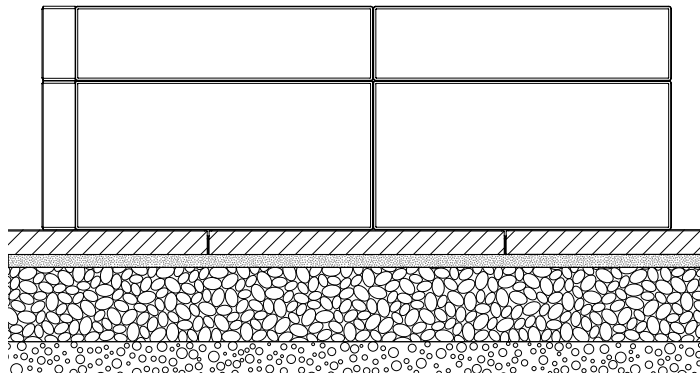


SAFETY GLASSES

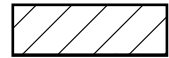
BASE PREPARATION

ALWAYS LEVEL GROUND BEFORE INSTALLATION

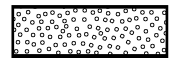
ON NEW OR EXISTING PATIO



SLAB OR PAVER



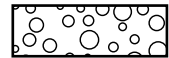
BEDDING SAND 1"



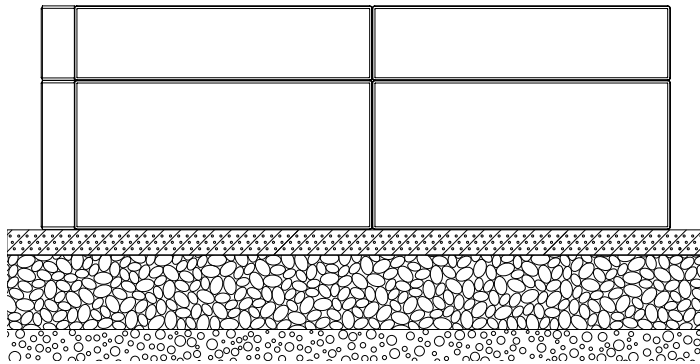
COMPACTED AGGREGATES 6" - 8"



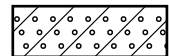
SOIL



ON POURED CONCRETE



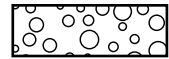
REINFORCED POURED CONCRETE FOUNDATION 2"



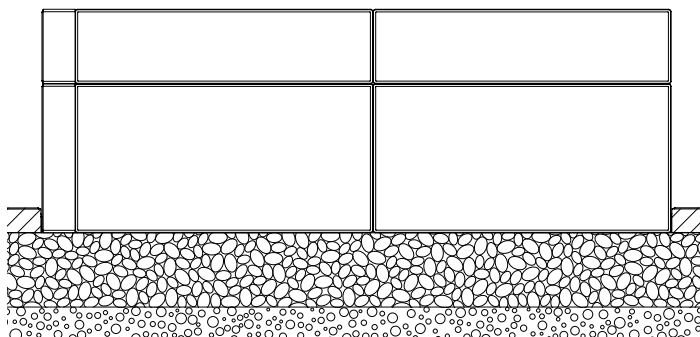
COMPACTED AGGREGATES 6" - 8"



SOIL



ON COMPACTED FOUNDATION



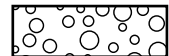
SLAB OR PAVER



COMPACTED AGGREGATES 6" - 8"



SOIL



TIPS & TRICKS

READ ALL INSTRUCTIONS BEFORE ASSEMBLY

PREBUILD:

- Prebuild all hardware prior to starting build.
- When assembling hardware SNAP the bolt into place with the plastic sliders. Pressing down on something flat and hard will help. (Fig. A)
- Do not over hand tighten the slider/bolt piece and the nut on the completed brackets. They should be loosely attached so they slide into the channels on the panels. Leave a space of ¼ in. (Fig. B)

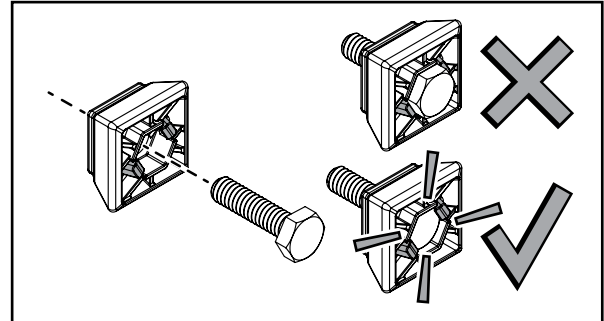


Fig. A

INSTALL:

- Always start in the corner when starting a build. (Fig. C)
- Set the drill clutch (torque) at a low level to deliver a torque range of 50-65lbs per inch. Refer to your drill manual for torque adjustment instructions.
- Use a rubber mallet to assist with moving/aligning/adjusting panel placement during assembly.

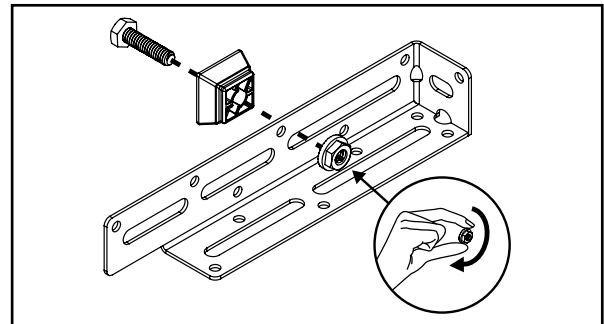


Fig. B

WHEN BUILDING WOODEN COMPONENTS:

- Do not exceed prescribed length. Exact measurements are required for proper assembly.
- Ensure your cuts are straight.
- Do not over tighten the screws into the wood - this can cause buckling.
- Pre-drill holes for 45° corner assemblies.
- Use cedar or pressure treated wood for outdoor use.
- Seal wooden components for prolonged use.

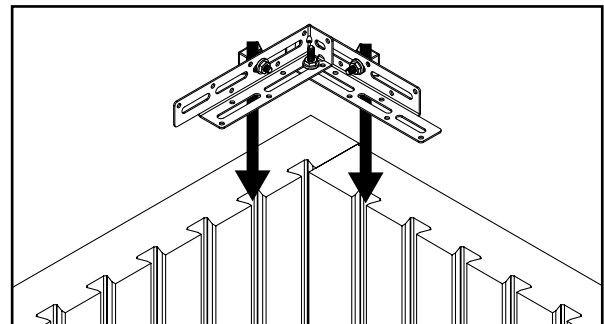
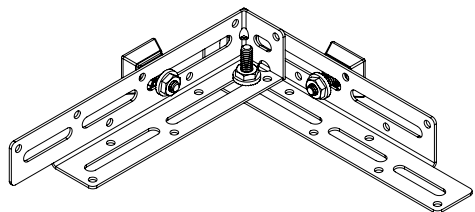
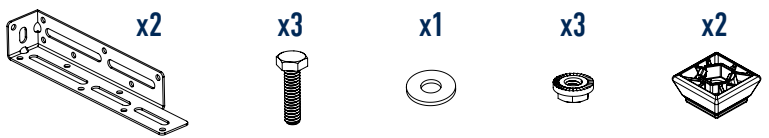
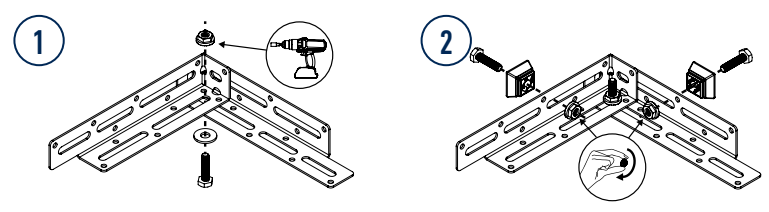


Fig. C

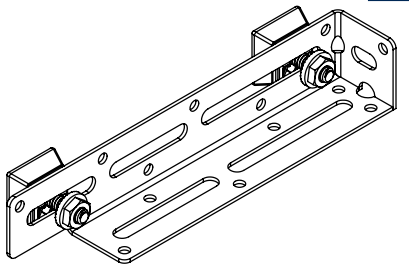
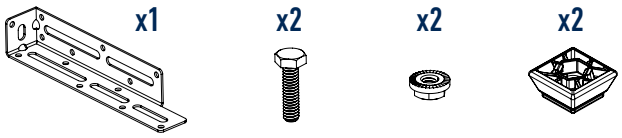
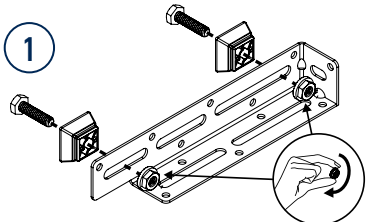
WHEN BUILDING PLANTERS:

- Line the inside of the planters or garden beds with a geotextile fabric to help with water management.

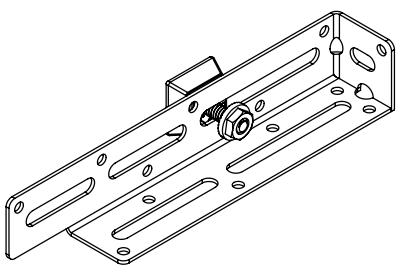
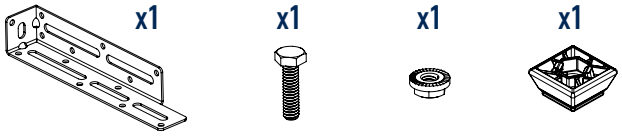
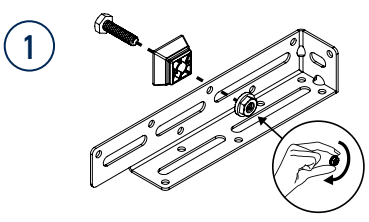
BRACKET A **x4**

	x2	x3	x1	x3	x2
					
					

BRACKET C **x12**

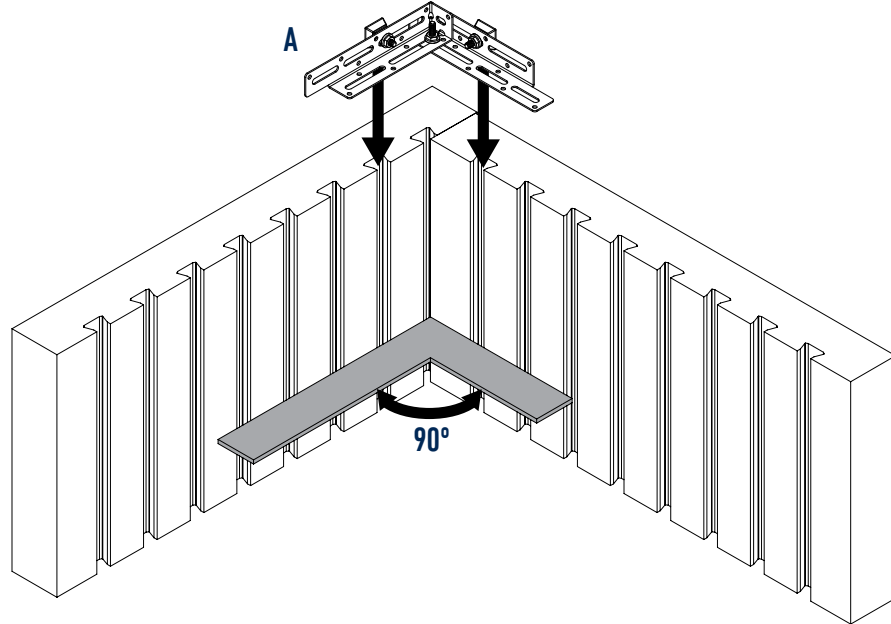
	x1	x2	x2	x2
				
				

BRACKET D **x4**

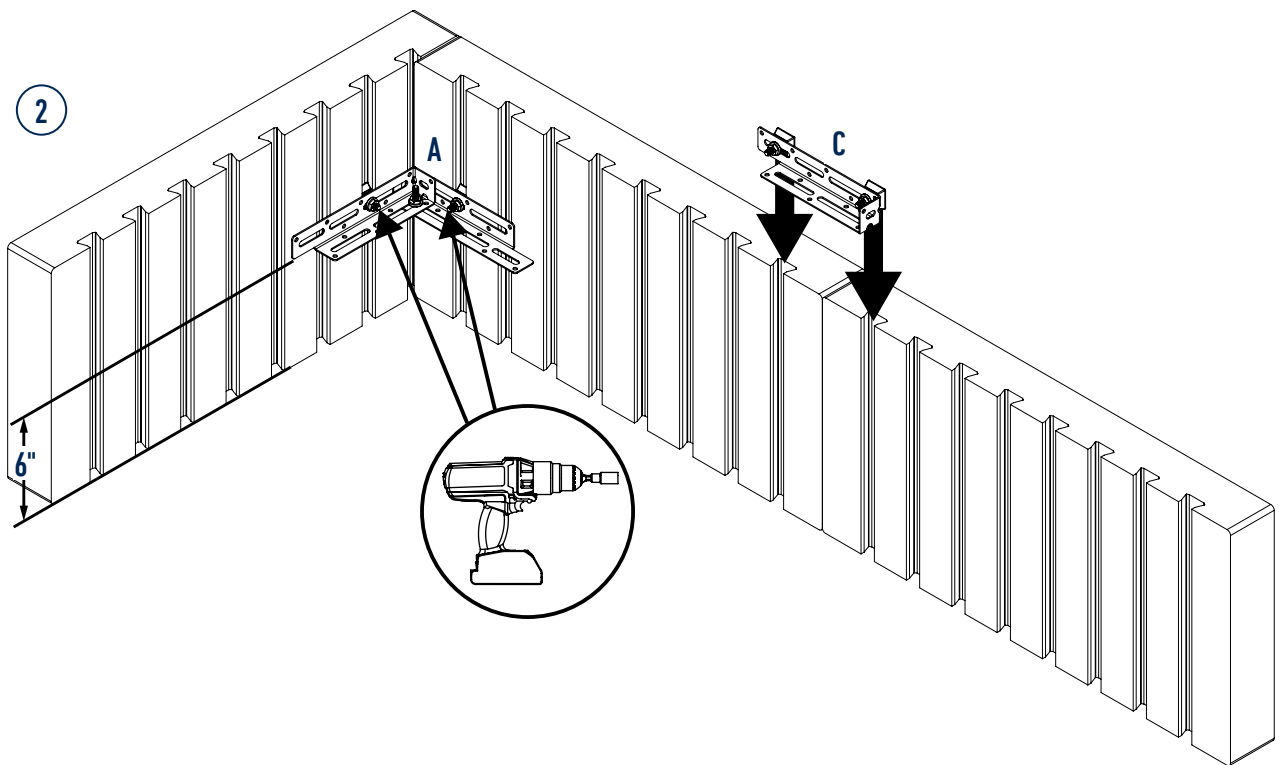
	x1	x1	x1	x1
				
				



1

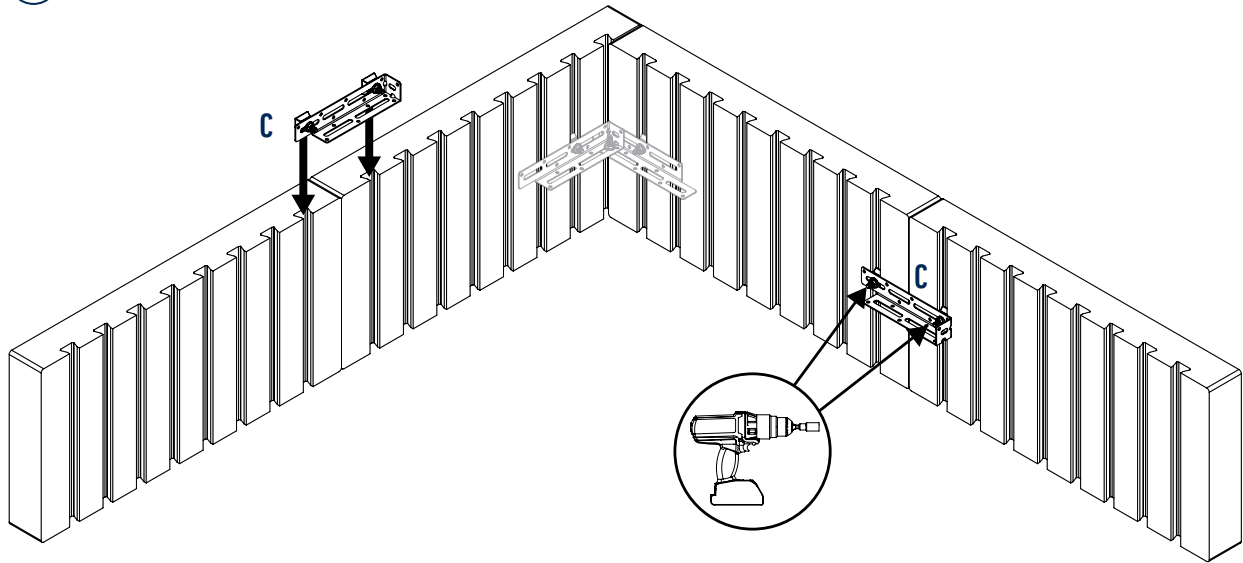


2

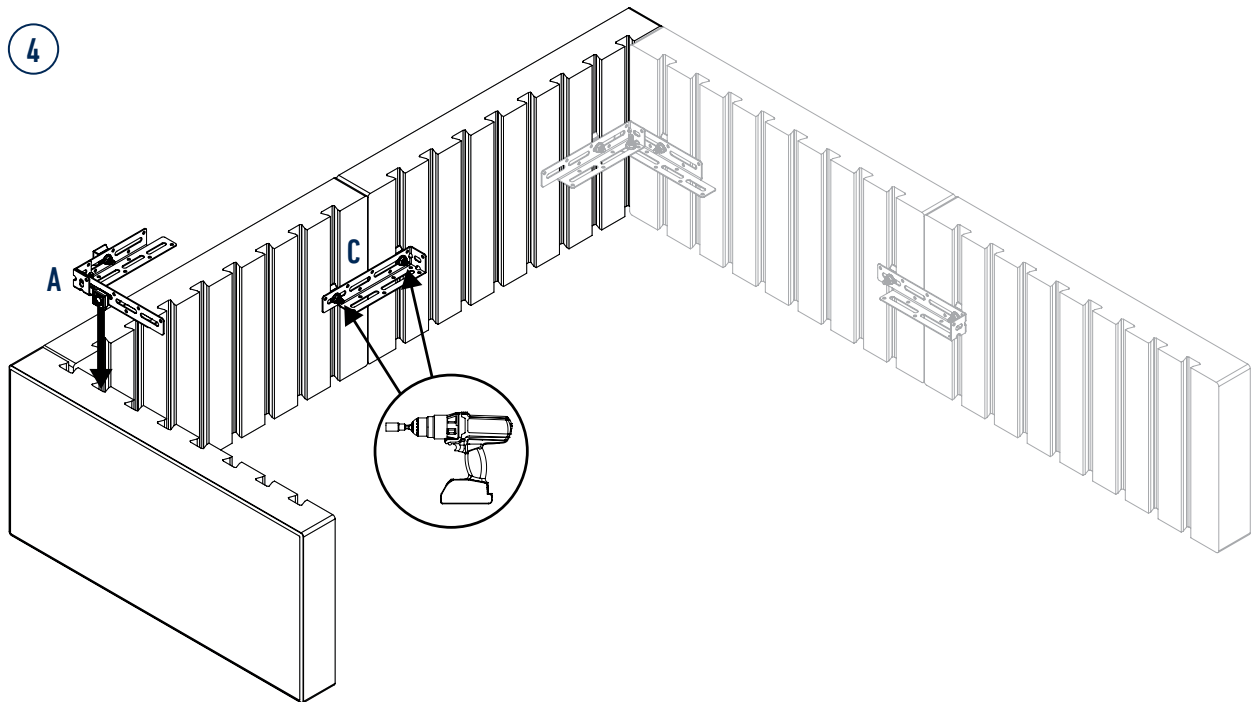




3



4

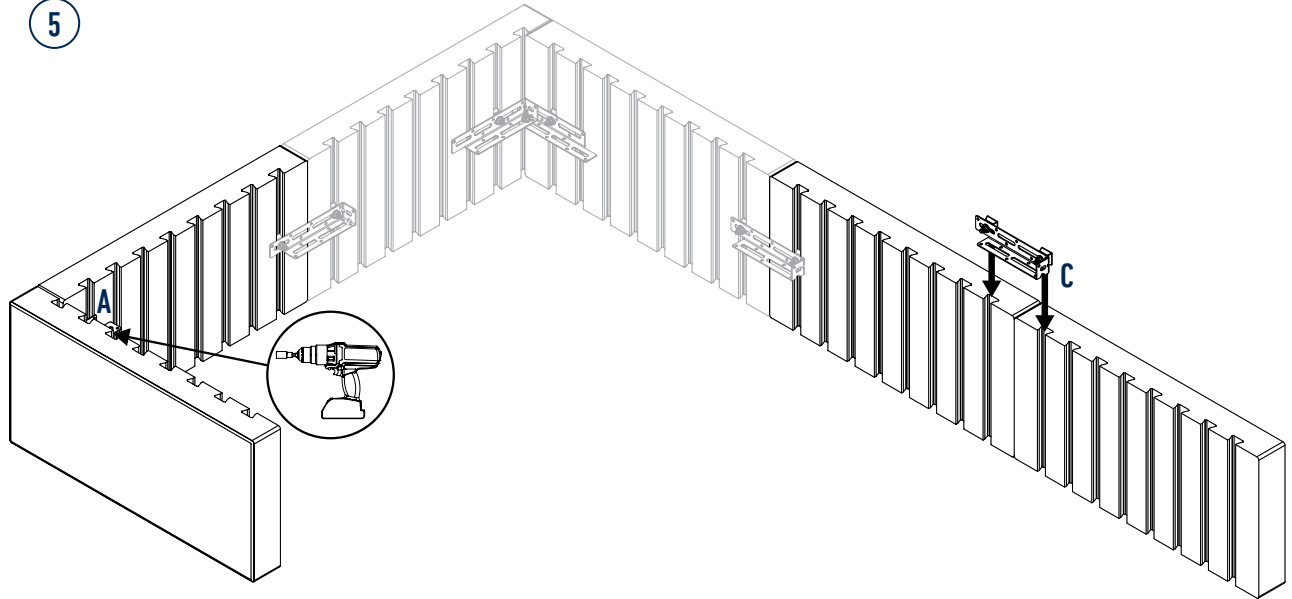




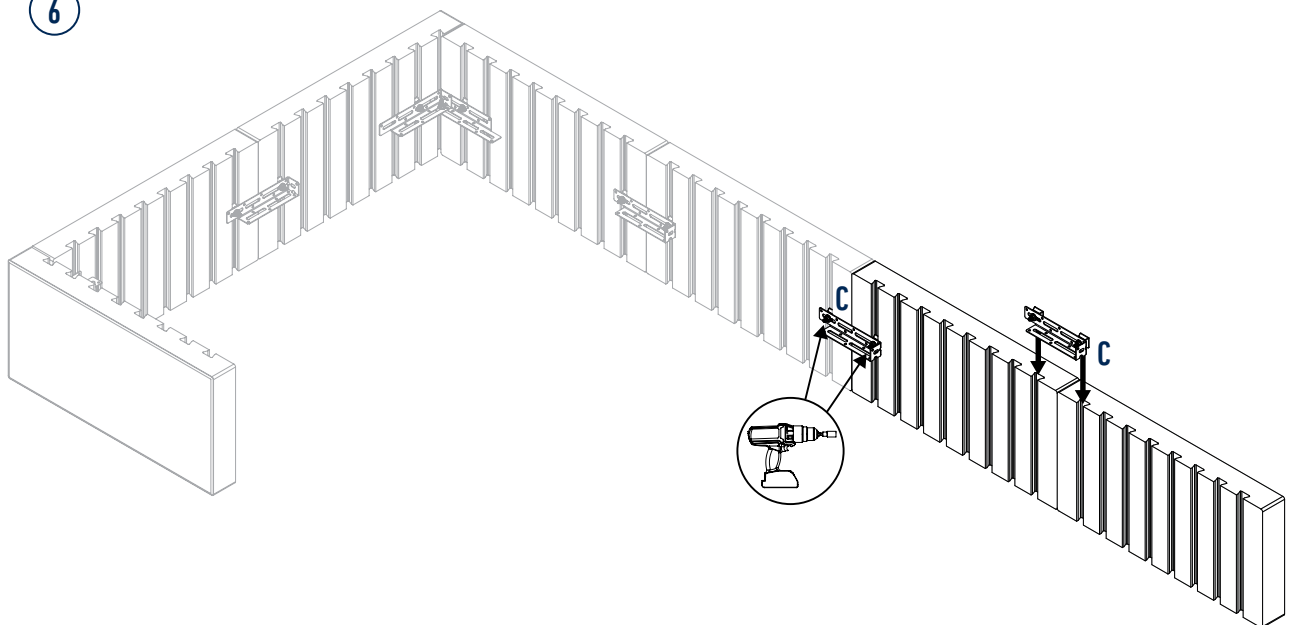
DESIGNFORMS™

1 FT RECTANGULAR GARDEN BED - WOOD TOP

5

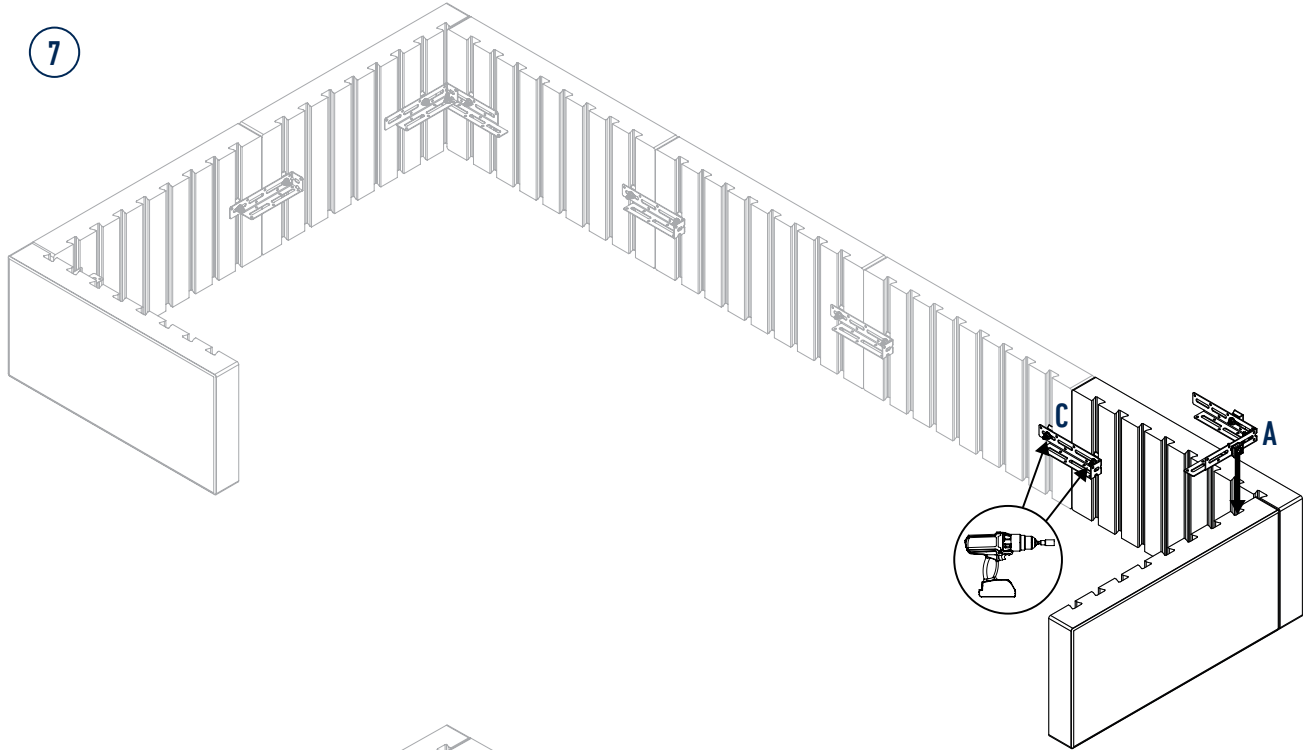


6

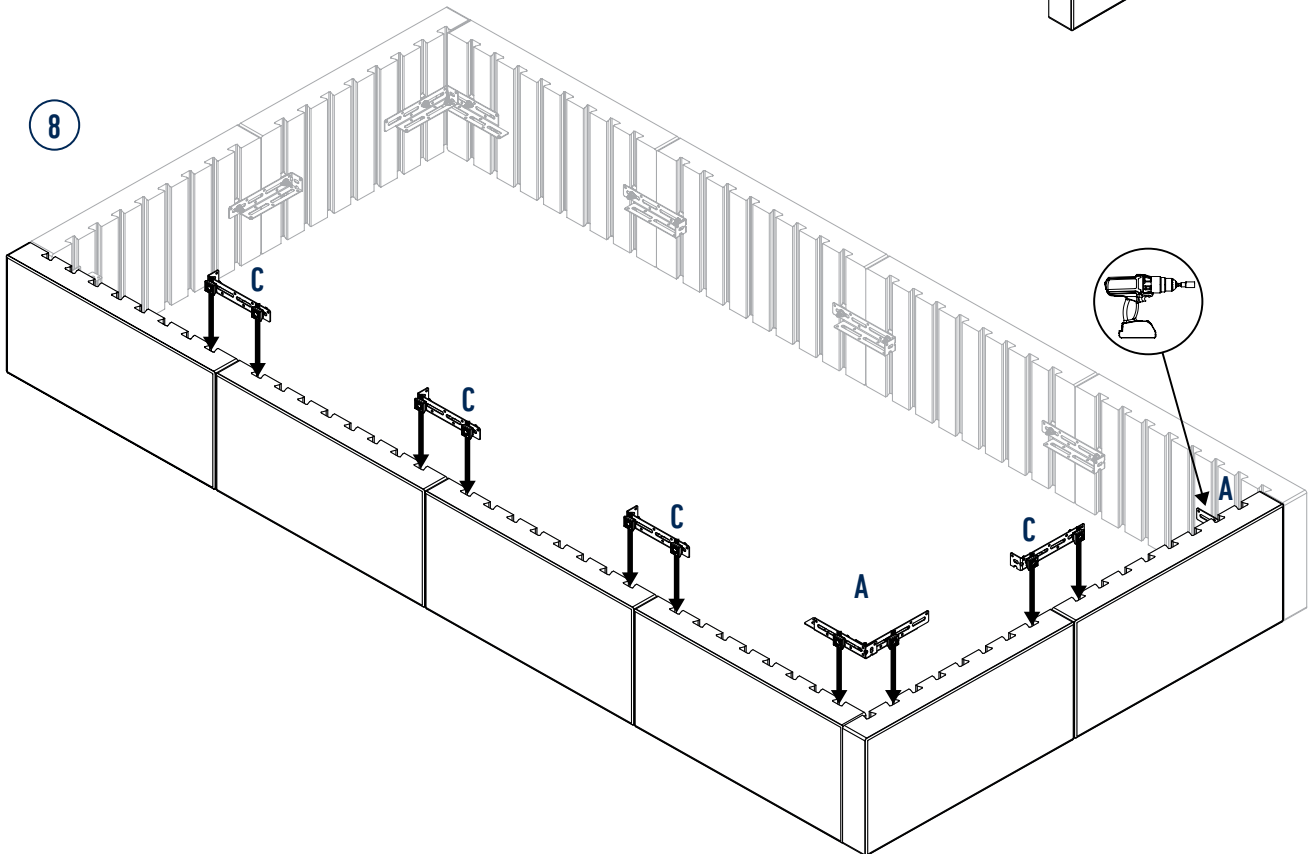




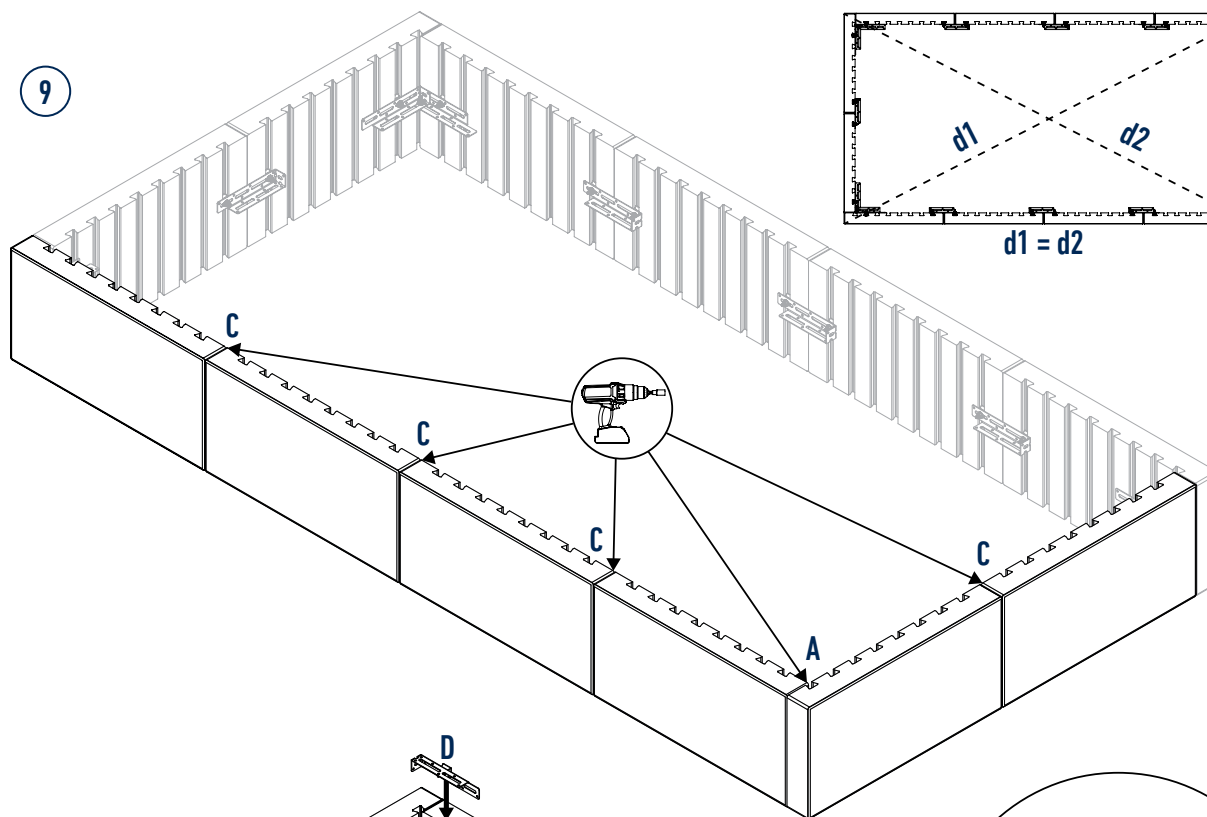
7



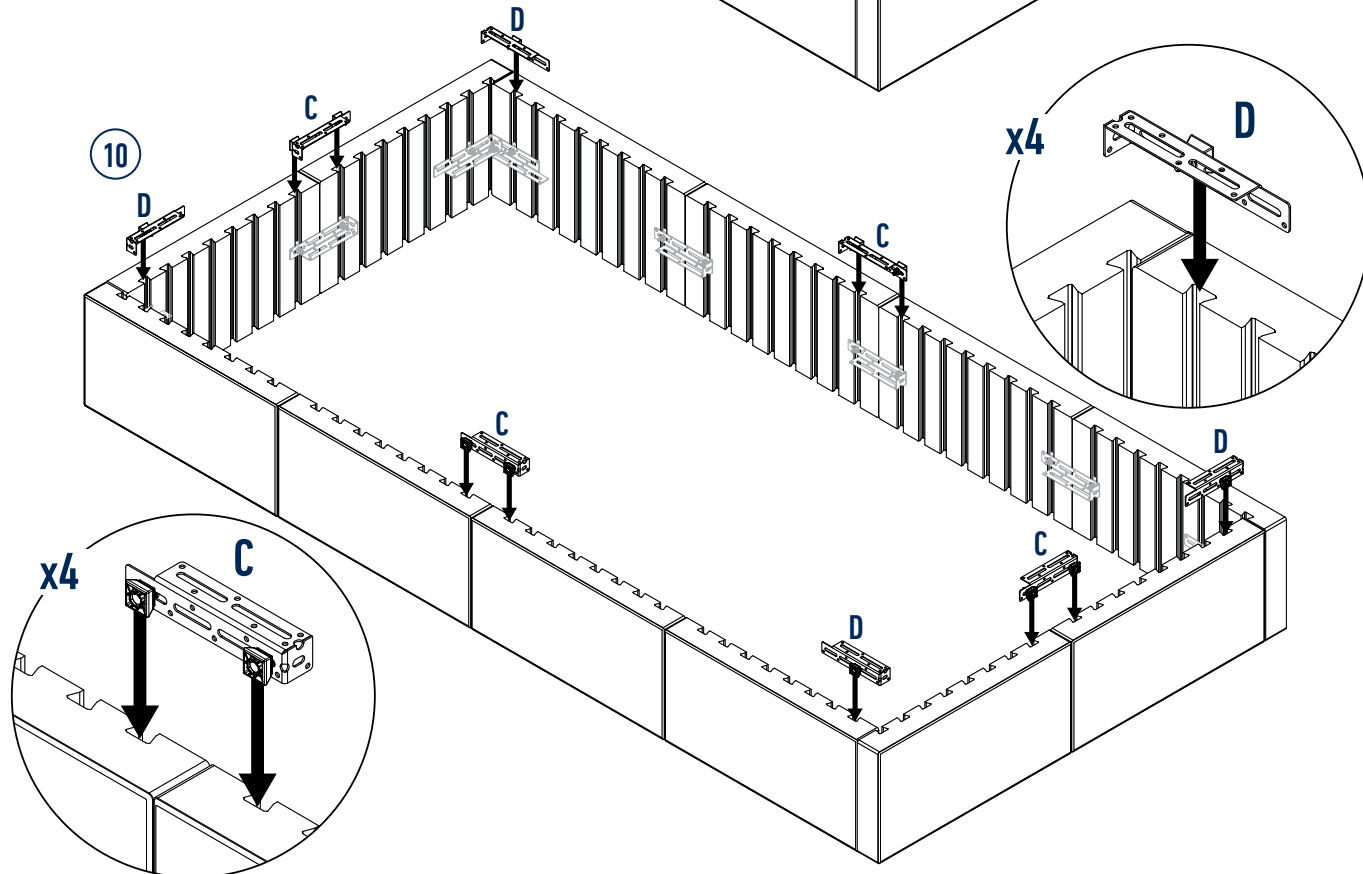
8



9

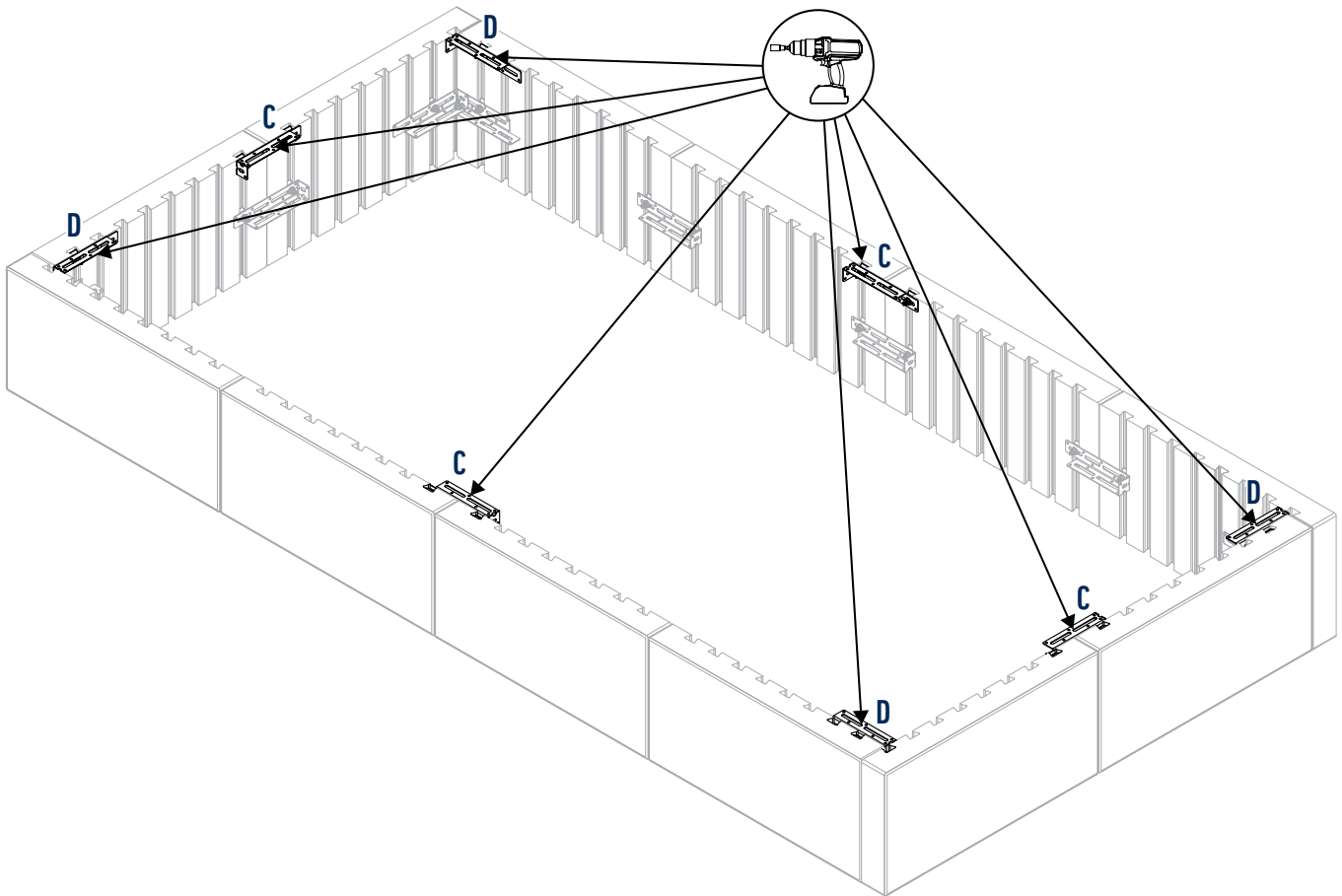


10

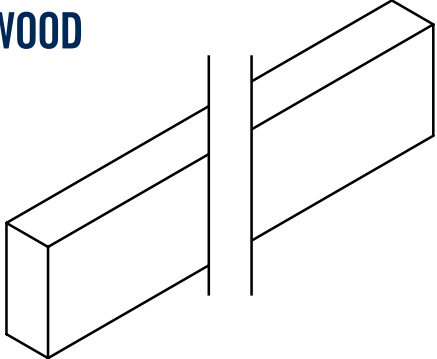
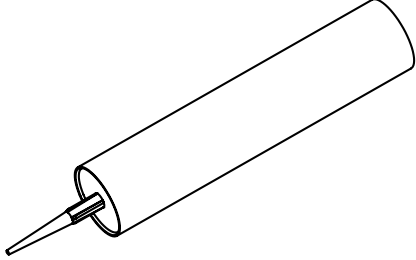




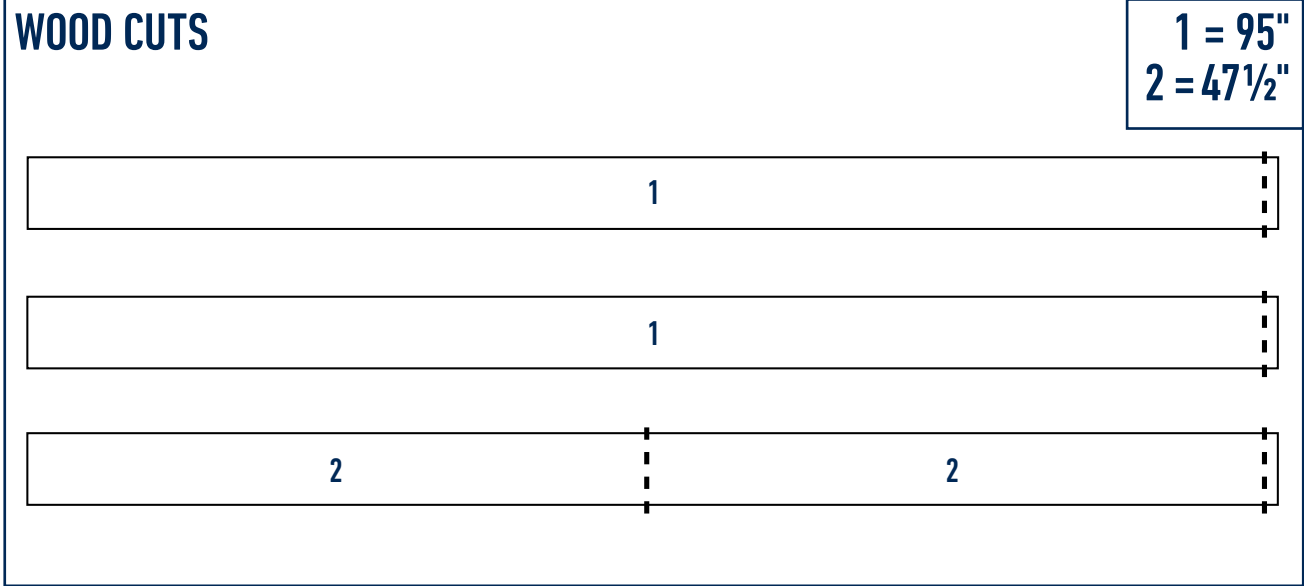


11





<p>2" x 6" x 8" PRESSURE TREATED WOOD</p> 	<p>x3</p>	<p>OUTDOOR SILICONE</p>  <p>x1</p>	<p>A #8 1 1/4" DECK SCREW</p>  <p>x16</p>
		<p>B #8 3" DECK SCREW</p>  <p>x8</p>	

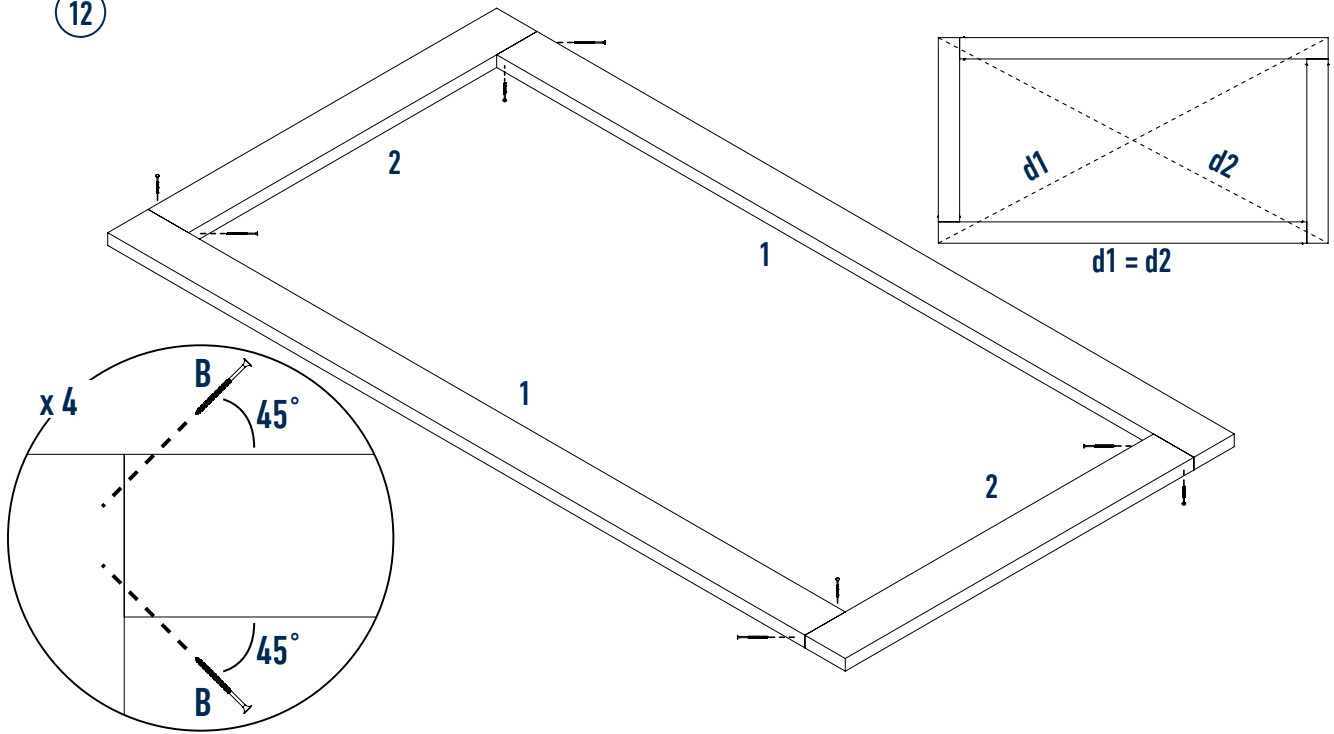




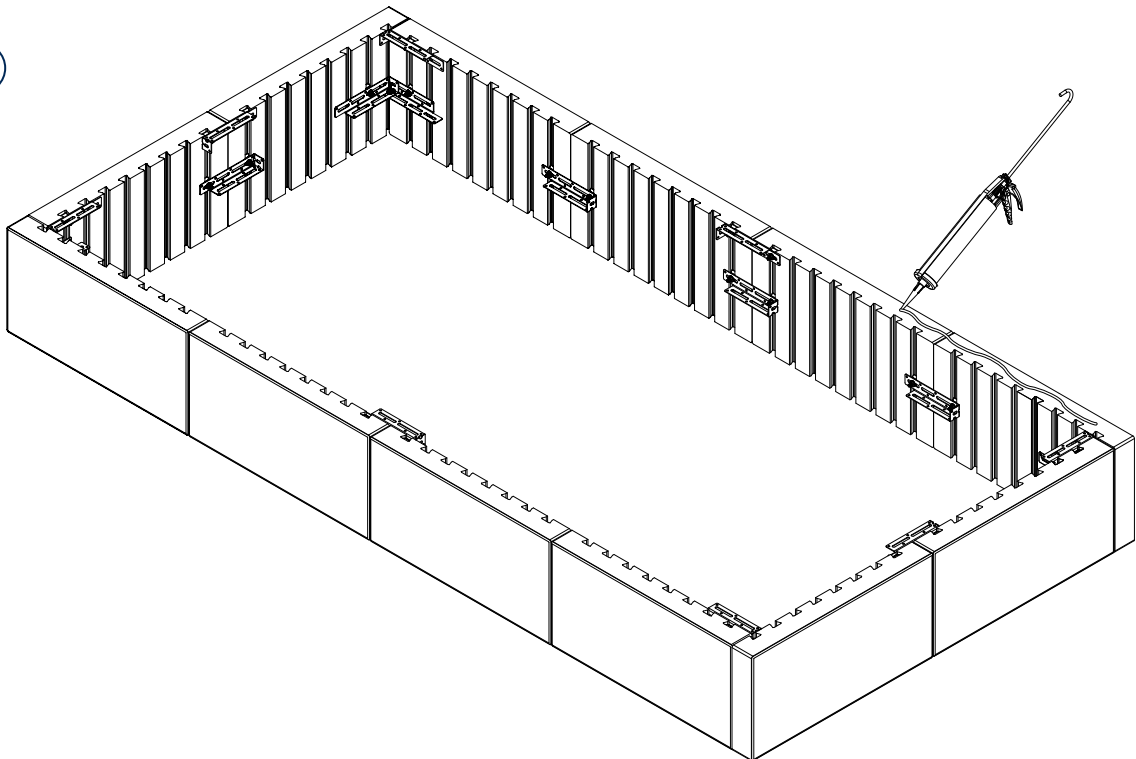
DESIGNFORMS™

1 FT RECTANGULAR GARDEN BED - WOOD TOP

12



13

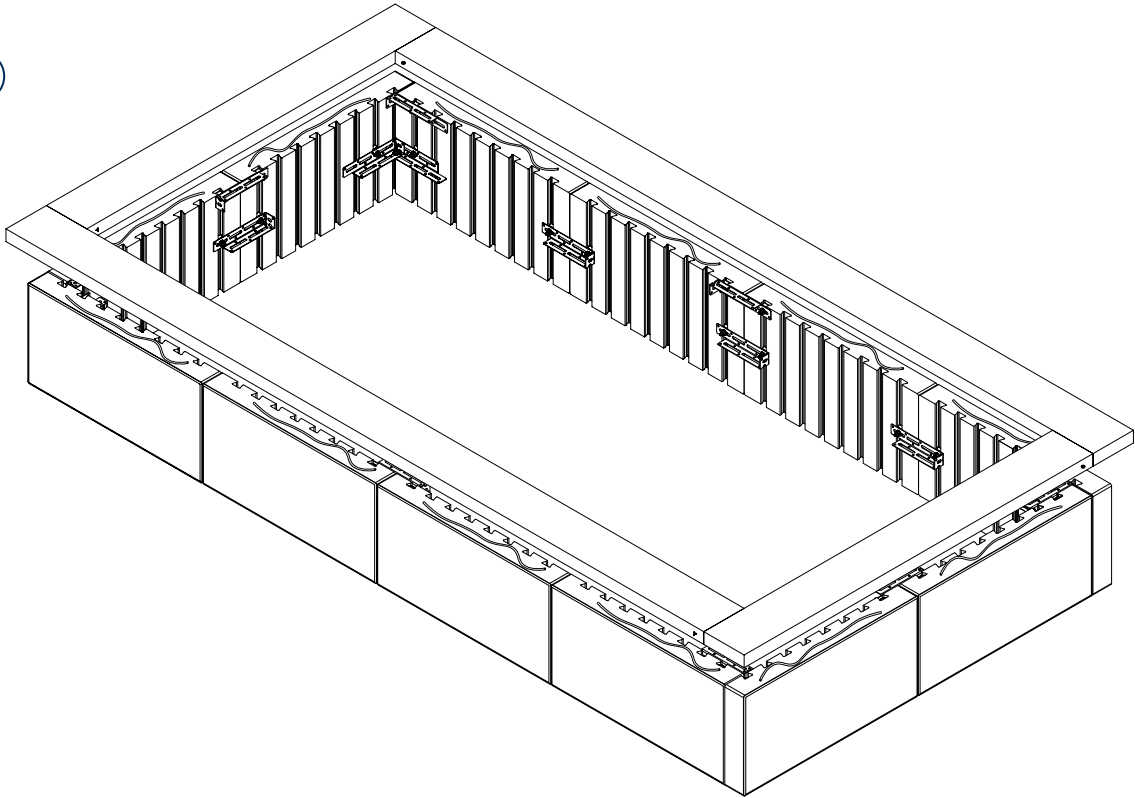




DESIGNFORMS™

1 FT RECTANGULAR GARDEN BED - WOOD TOP

14



15

