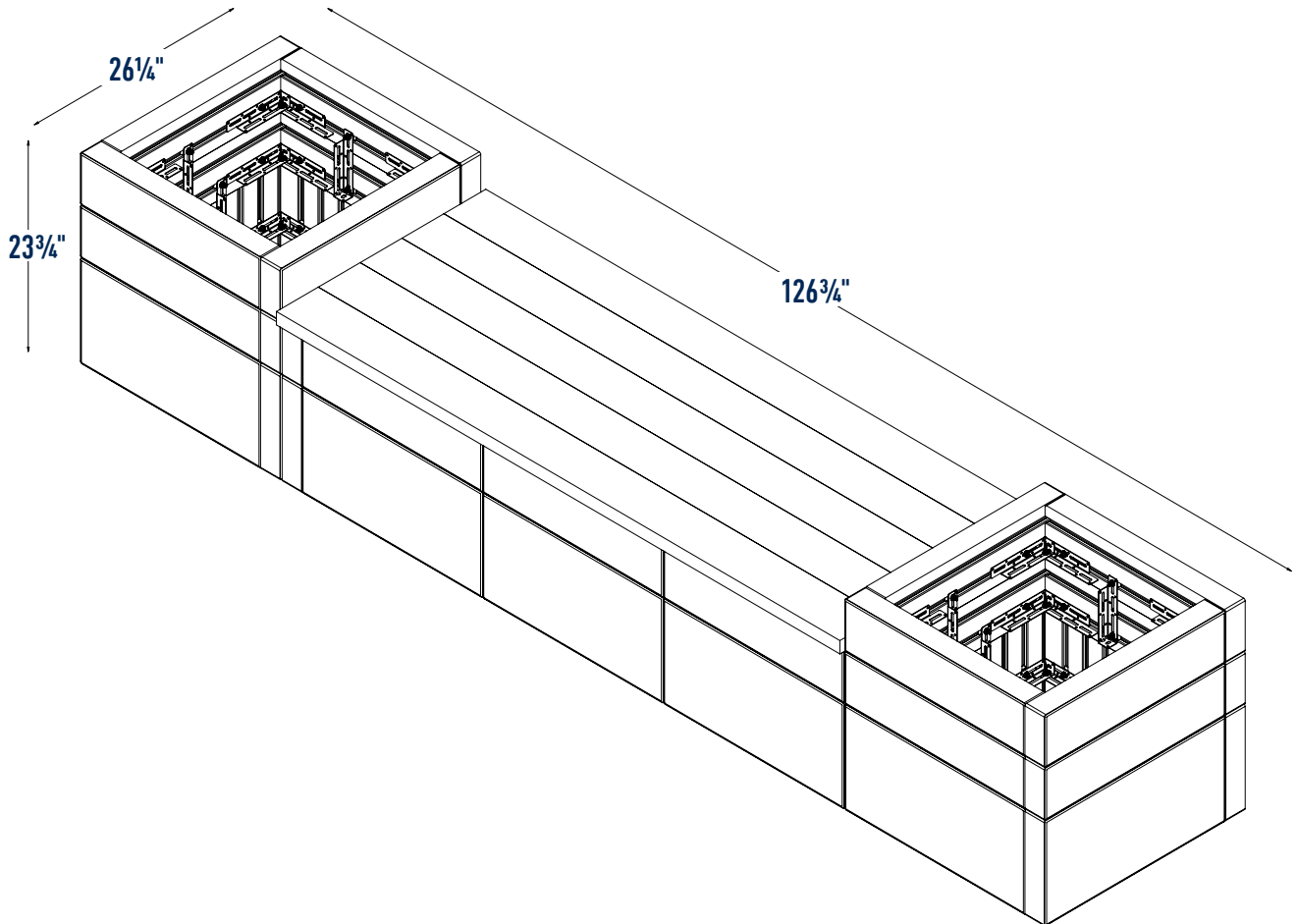




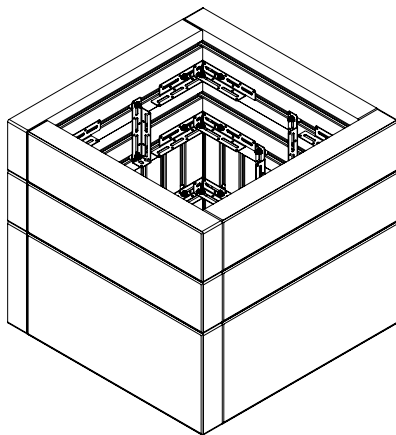
DESIGNFORMS™



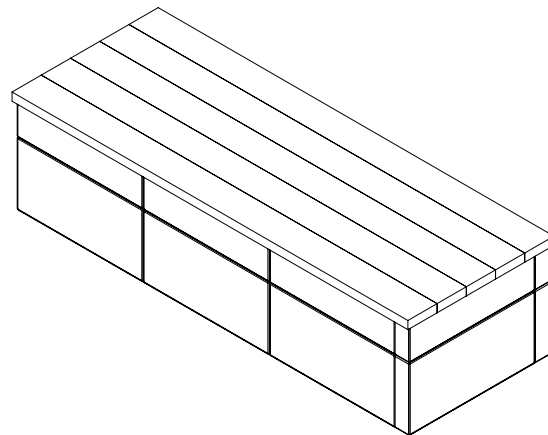
**SEATING COMBO A -
2 SQUARE PLANTER UNITS & 1 6FT BENCH UNIT**



COMPONENTS

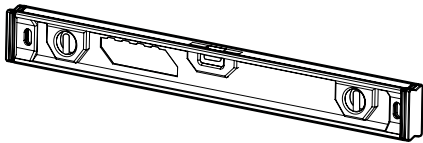


**2 FT Square Planter
- Concrete Top (x2)**

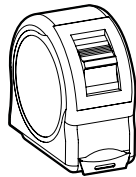


**6 FT Bench
- Wood Top (x1)**

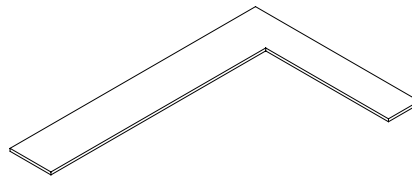
REQUIRED TOOLS



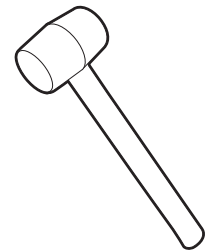
LEVEL



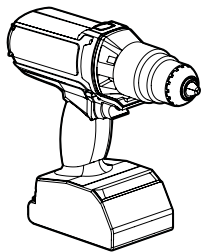
MEASURING TAPE



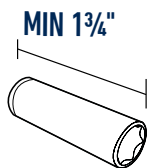
CARPENTER SQUARE



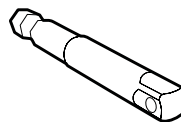
RUBBER Mallet



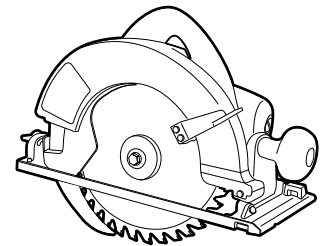
DRILL



**DEEP HEX SOCKET
7/16" WITH 1/4" DRIVE**



**SOCKET ADAPTOR
1/4" HEX SHANK TO 1/4" DRIVE**

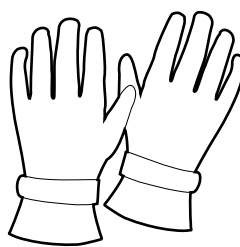


SKILL SAW

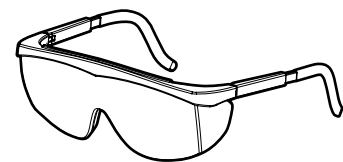
SAFETY EQUIPMENT



SAFETY BOOTS



GLOVES

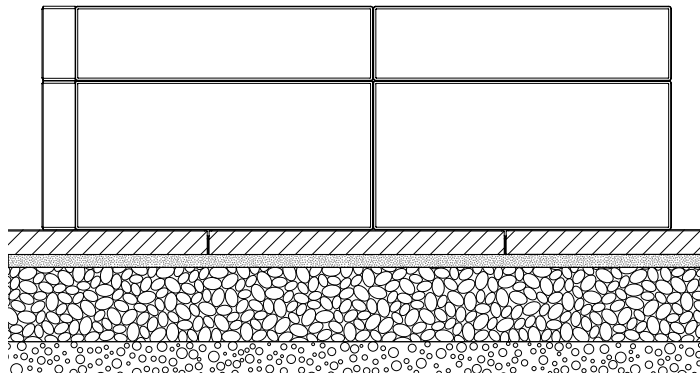


SAFETY GLASSES

BASE PREPARATION

ALWAYS LEVEL GROUND BEFORE INSTALLATION

ON NEW OR EXISTING PATIO



SLAB OR PAVER



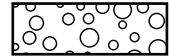
BEDDING SAND 1"



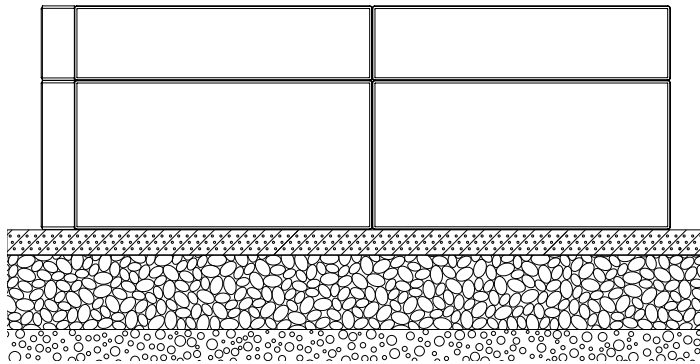
COMPACTED AGGREGATES 6" - 8"



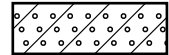
SOIL



ON POURED CONCRETE



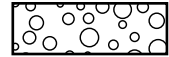
REINFORCED POURED CONCRETE FOUNDATION 2"



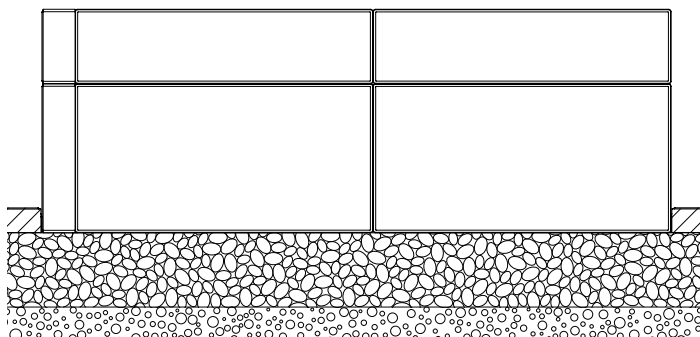
COMPACTED AGGREGATES 6" - 8"



SOIL



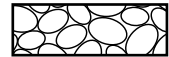
ON COMPACTED FOUNDATION



SLAB OR PAVER



COMPACTED AGGREGATES 6" - 8"



SOIL



TIPS & TRICKS

READ ALL INSTRUCTIONS BEFORE ASSEMBLY

PREBUILD:

- Prebuild all hardware prior to starting build.
- When assembling hardware SNAP the bolt into place with the plastic sliders. Pressing down on something flat and hard will help. (Fig. A)
- Do not over hand tighten the slider/bolt piece and the nut on the completed brackets. They should be loosely attached so they slide into the channels on the panels. Leave a space of ¼ in. (Fig. B)

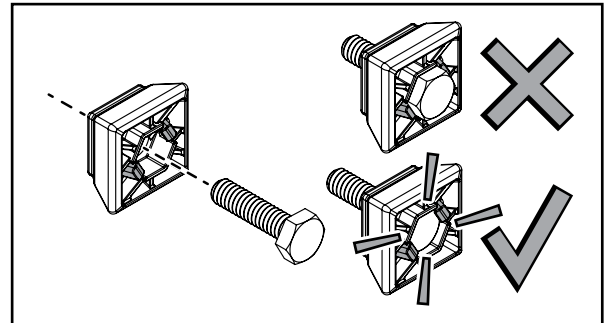


Fig. A

INSTALL:

- Always start in the corner when starting a build. (Fig. C)
- Set the drill clutch (torque) at a low level to deliver a torque range of 50-65lbs per inch. Refer to your drill manual for torque adjustment instructions.
- Use a rubber mallet to assist with moving/aligning/adjusting panel placement during assembly.

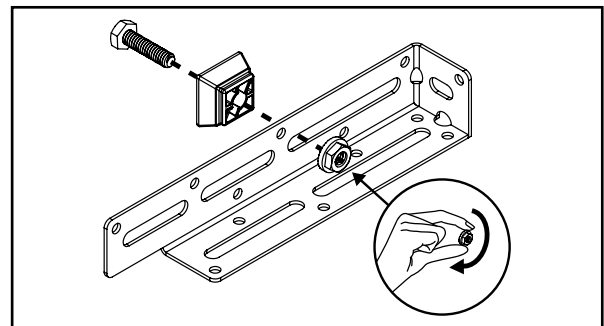


Fig. B

WHEN BUILDING WOODEN COMPONENTS:

- Do not exceed prescribed length. Exact measurements are required for proper assembly.
- Ensure your cuts are straight.
- Do not over tighten the screws into the wood - this can cause buckling.
- Pre-drill holes for 45° corner assemblies.
- Use cedar or pressure treated wood for outdoor use.
- Seal wooden components for prolonged use.

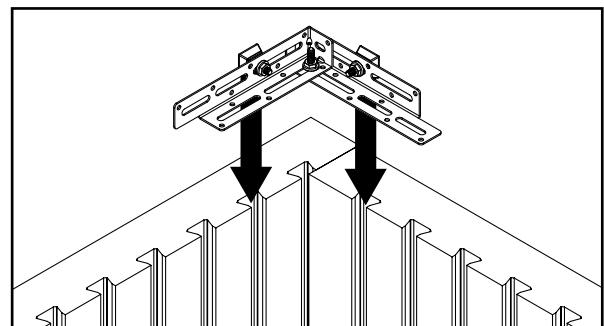
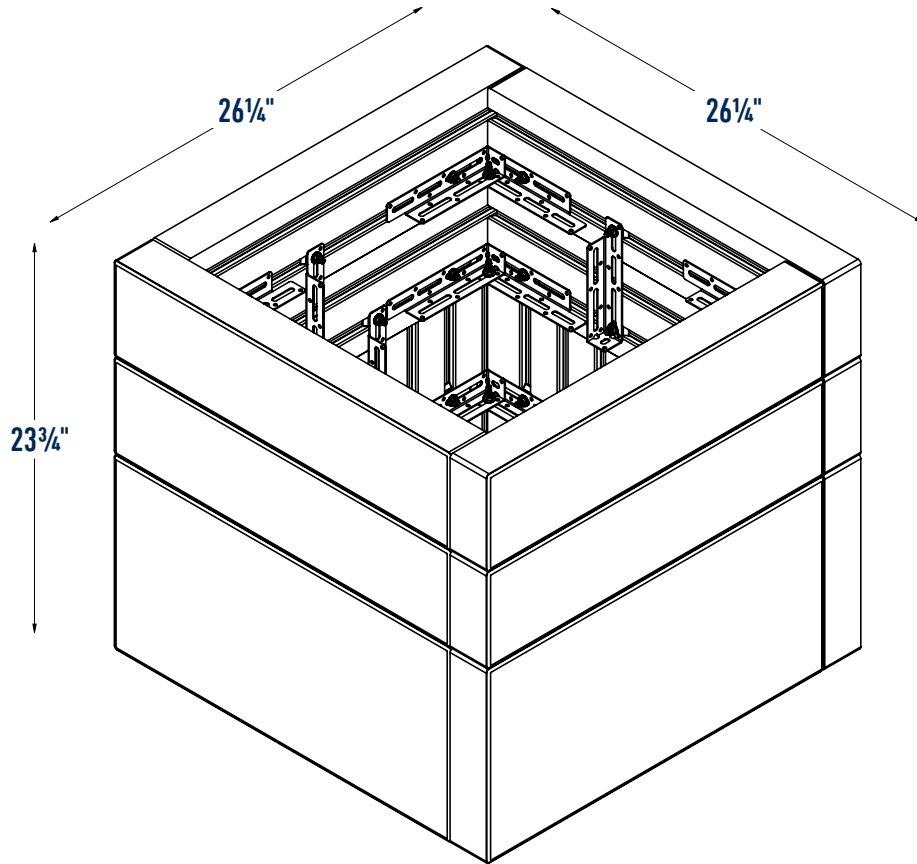


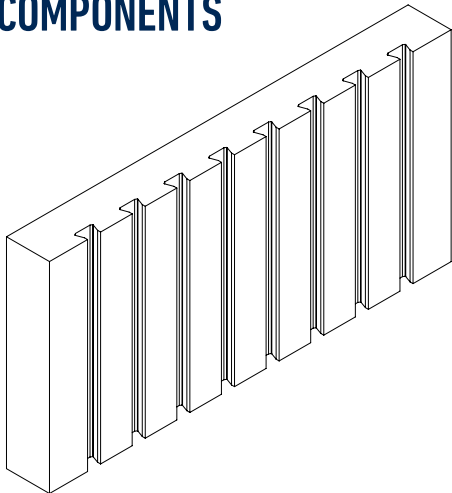
Fig. C

WHEN BUILDING PLANTERS:

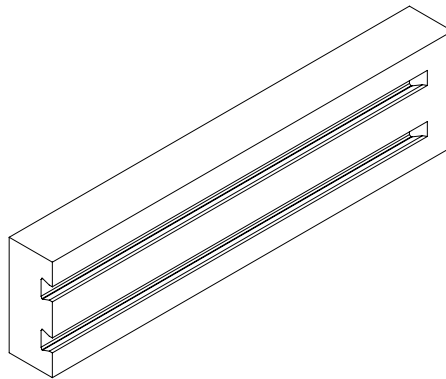
- Line the inside of the planters or garden beds with a geotextile fabric to help with water management.



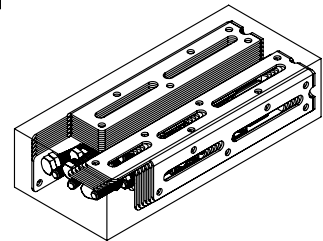
COMPONENTS



Large Panel (x4)
12" x 24"



Small Panel (x8)
6" x 24"

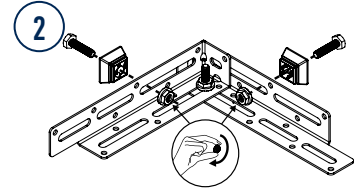
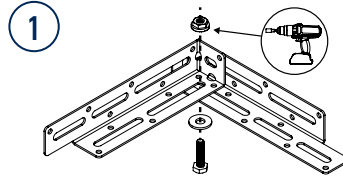
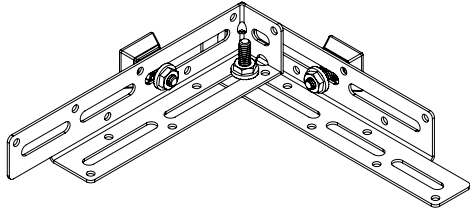


Hardware Kit (x3)



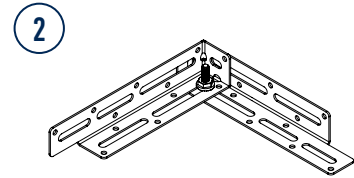
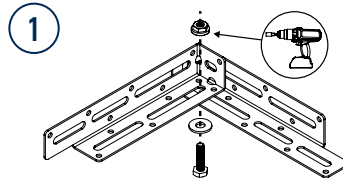
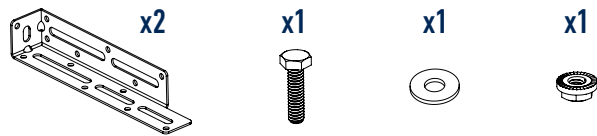
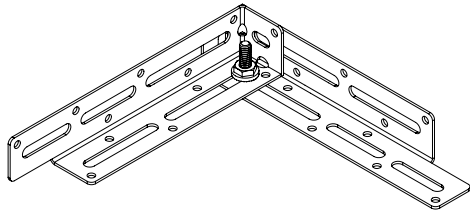
BRACKET A

x4



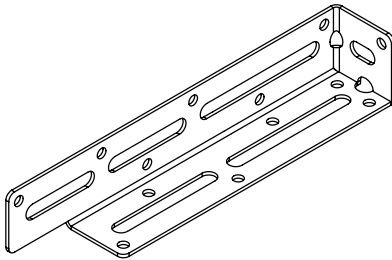
BRACKET B

x8



BRACKET H

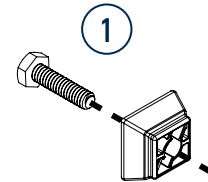
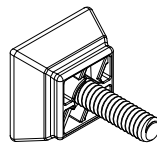
x8



ASSEMBLY I

x32

Use with
BRACKETS B and H
during build



J

x32

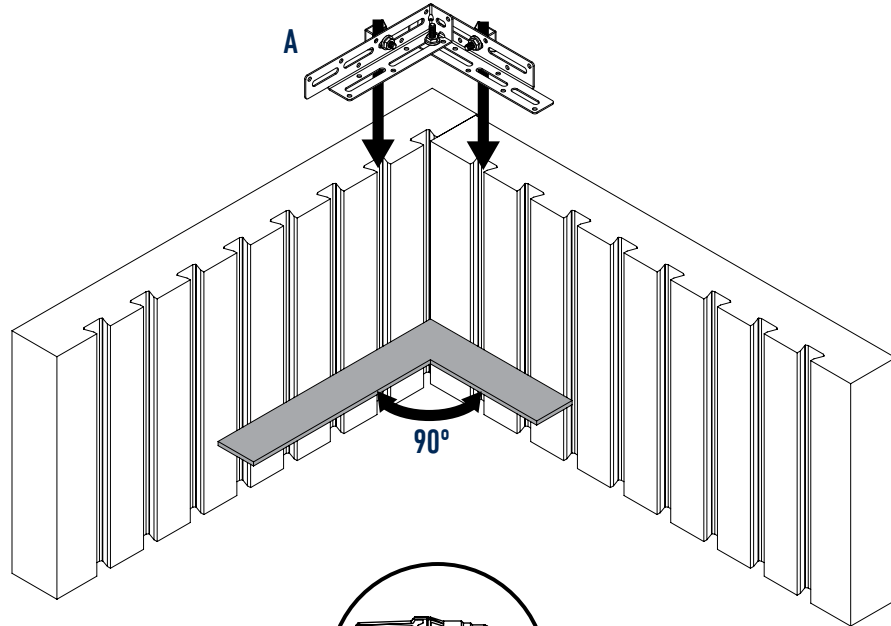




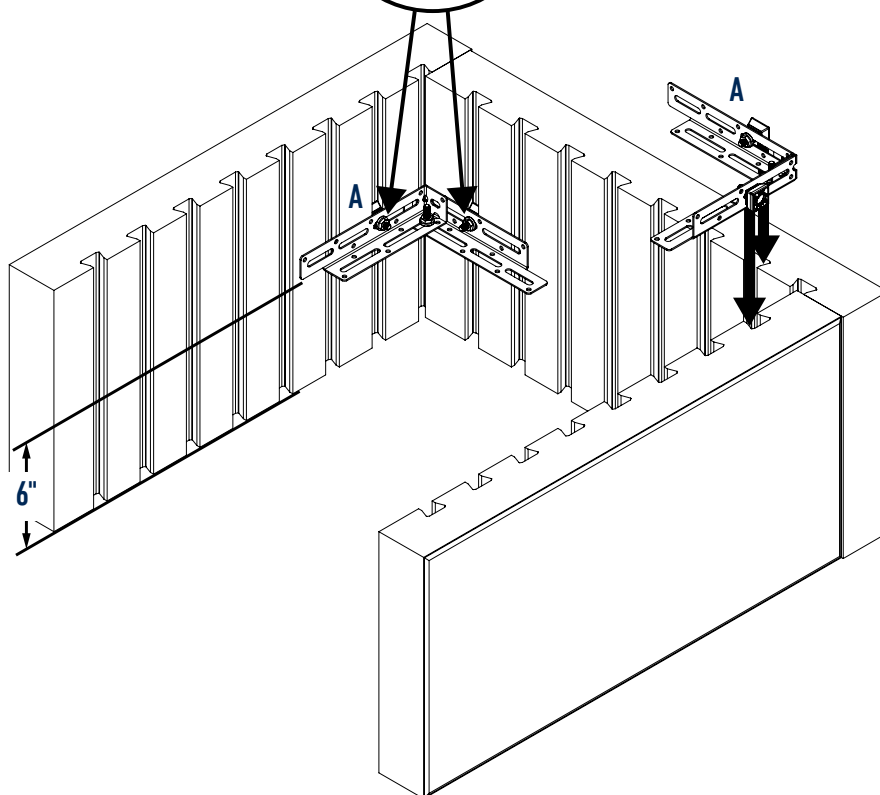
DESIGNFORMS™

2FT SQUARE PLANTER - CONCRETE TOP

1



2

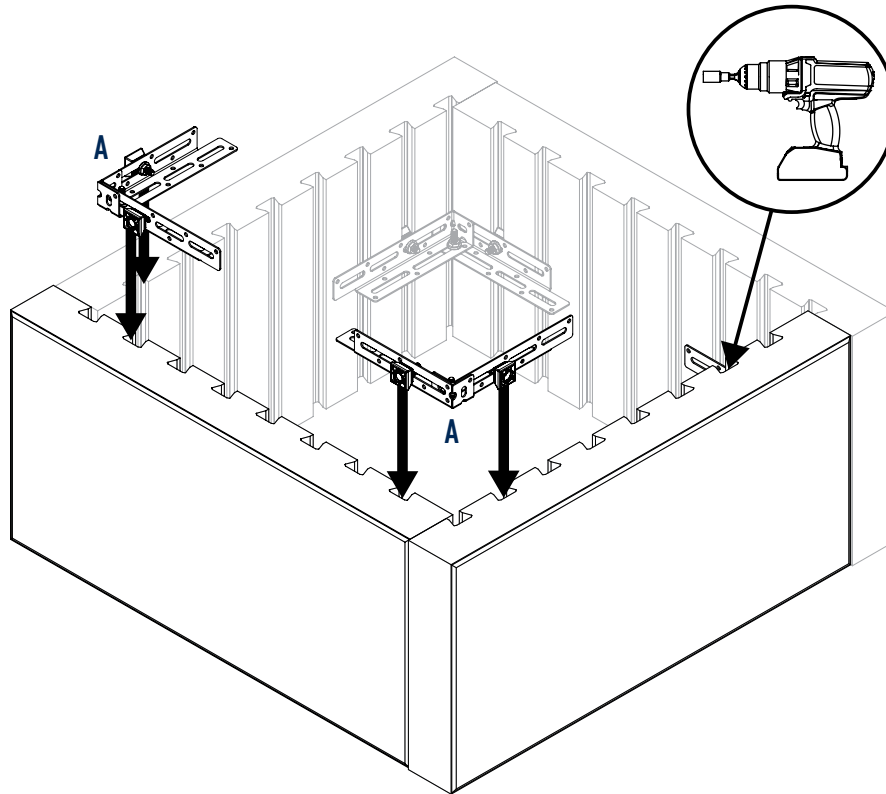




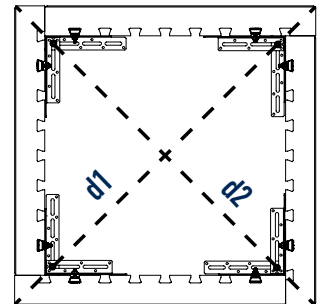
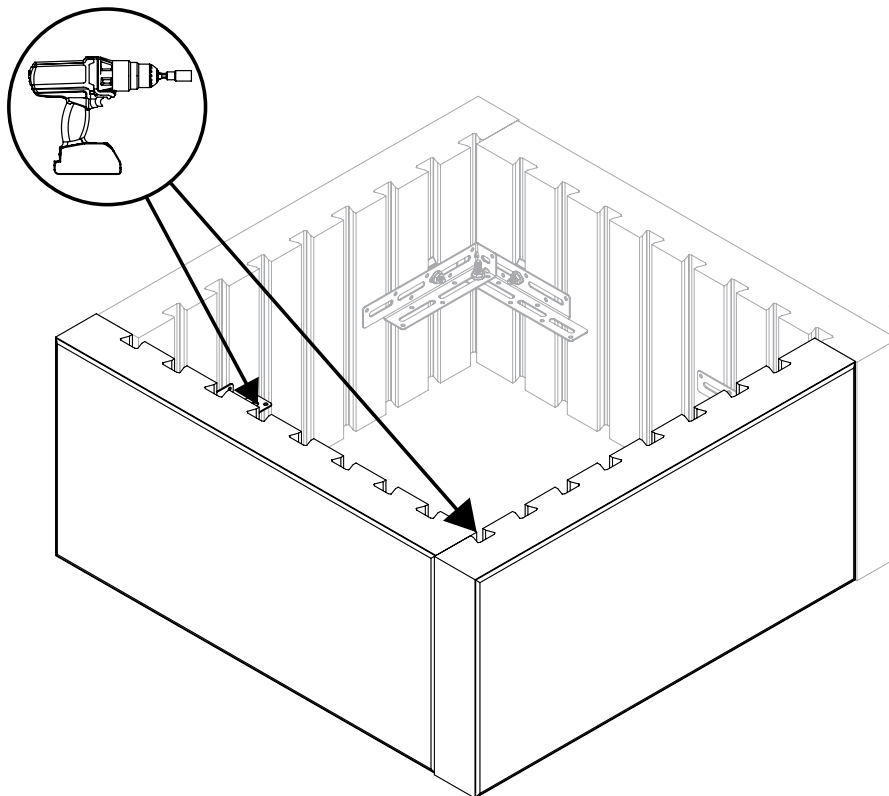
DESIGNFORMS™

2FT SQUARE PLANTER - CONCRETE TOP

3



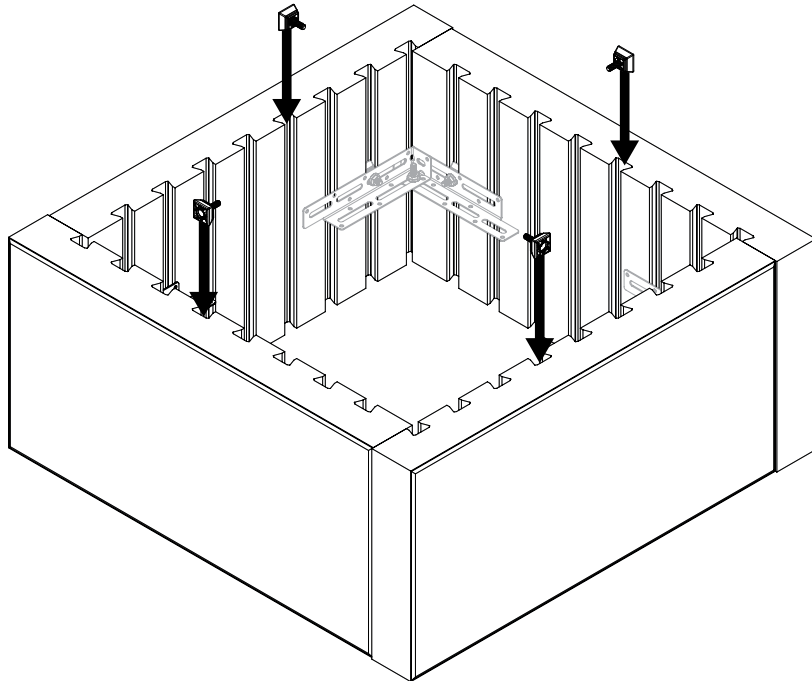
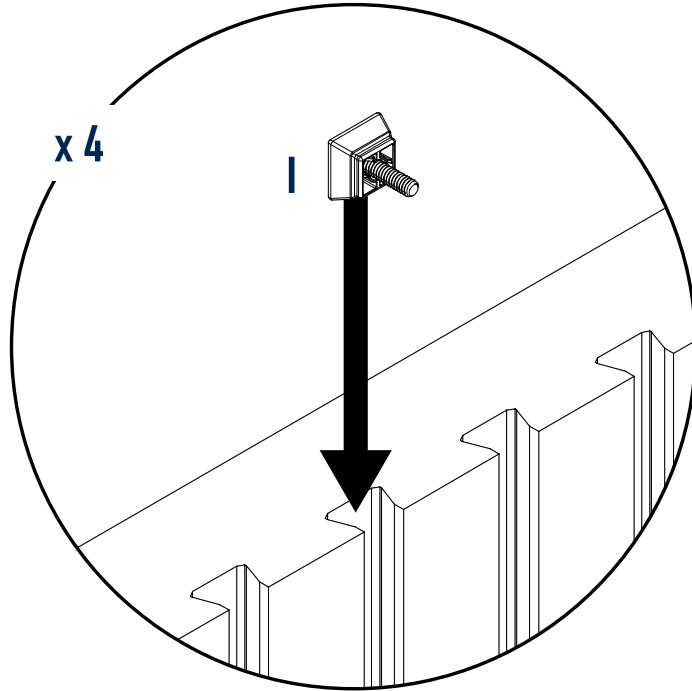
4



$d1 = d2$

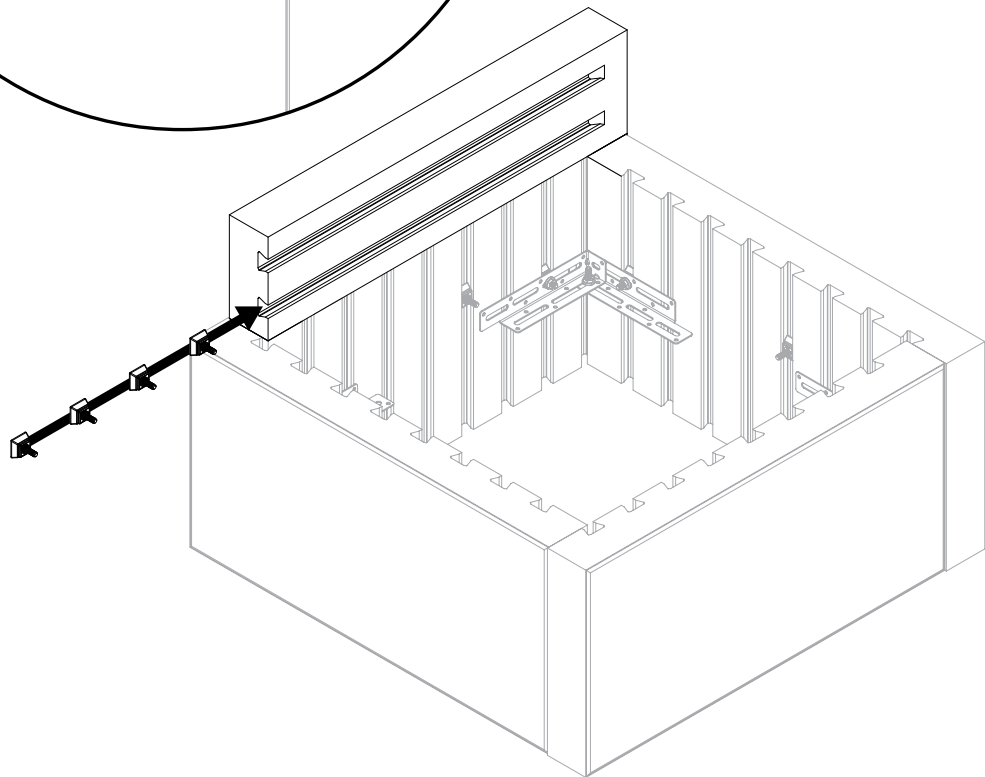
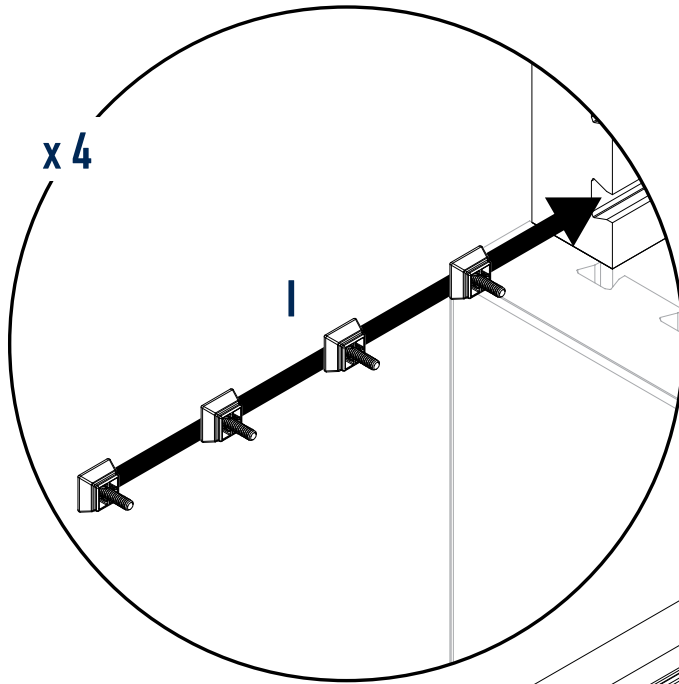


5



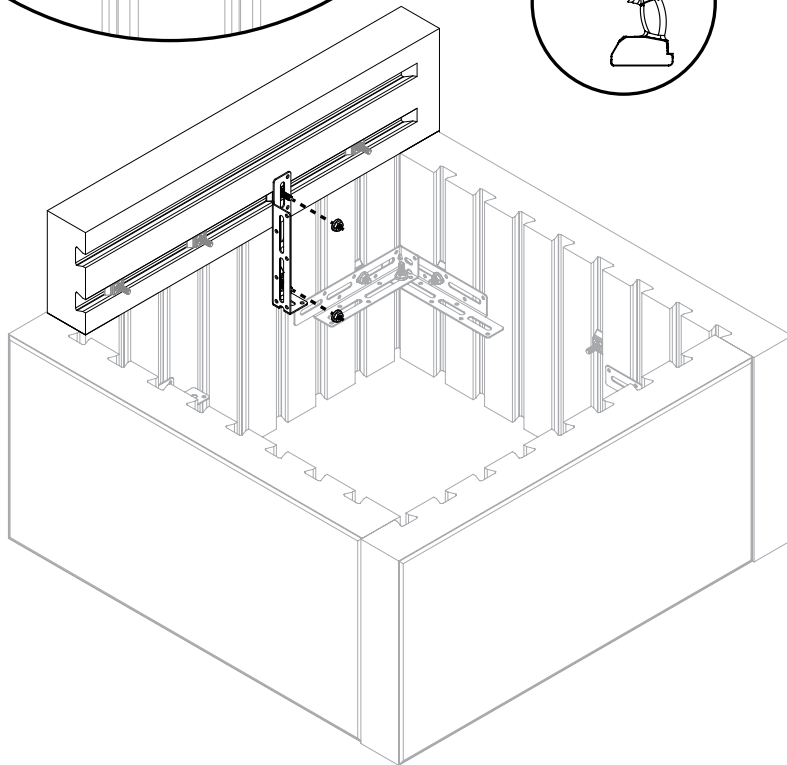
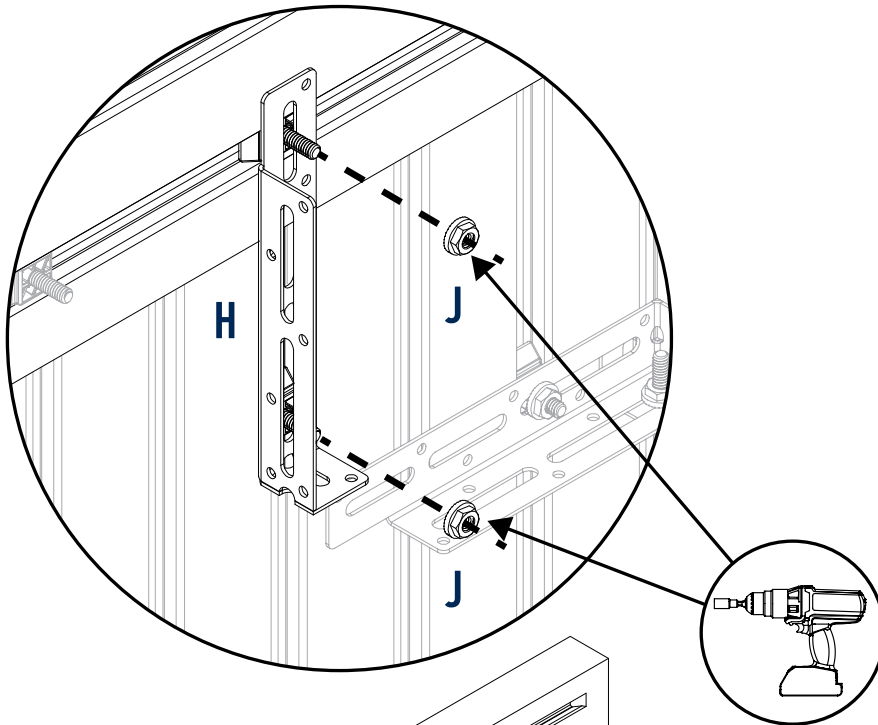


6



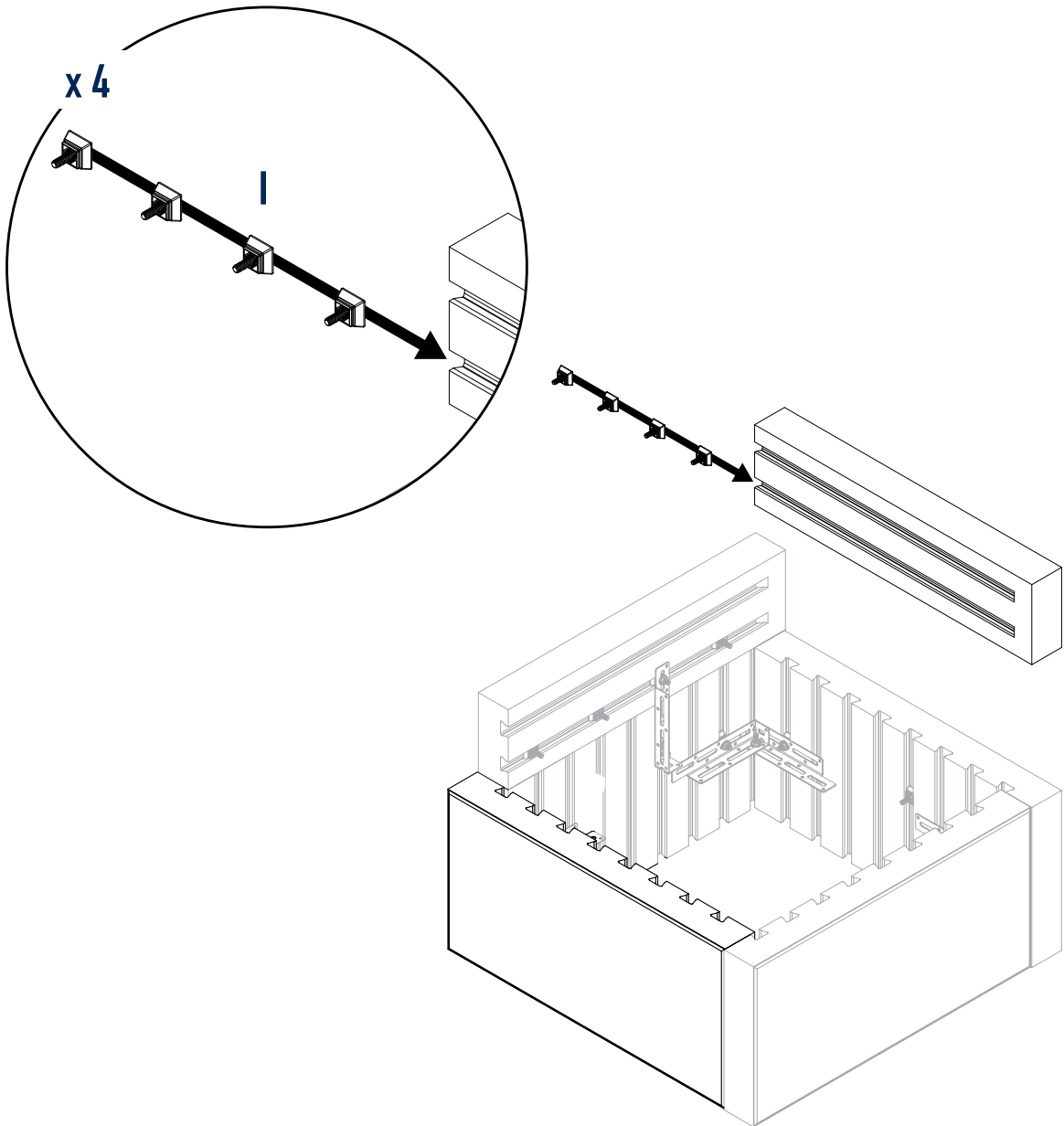


7



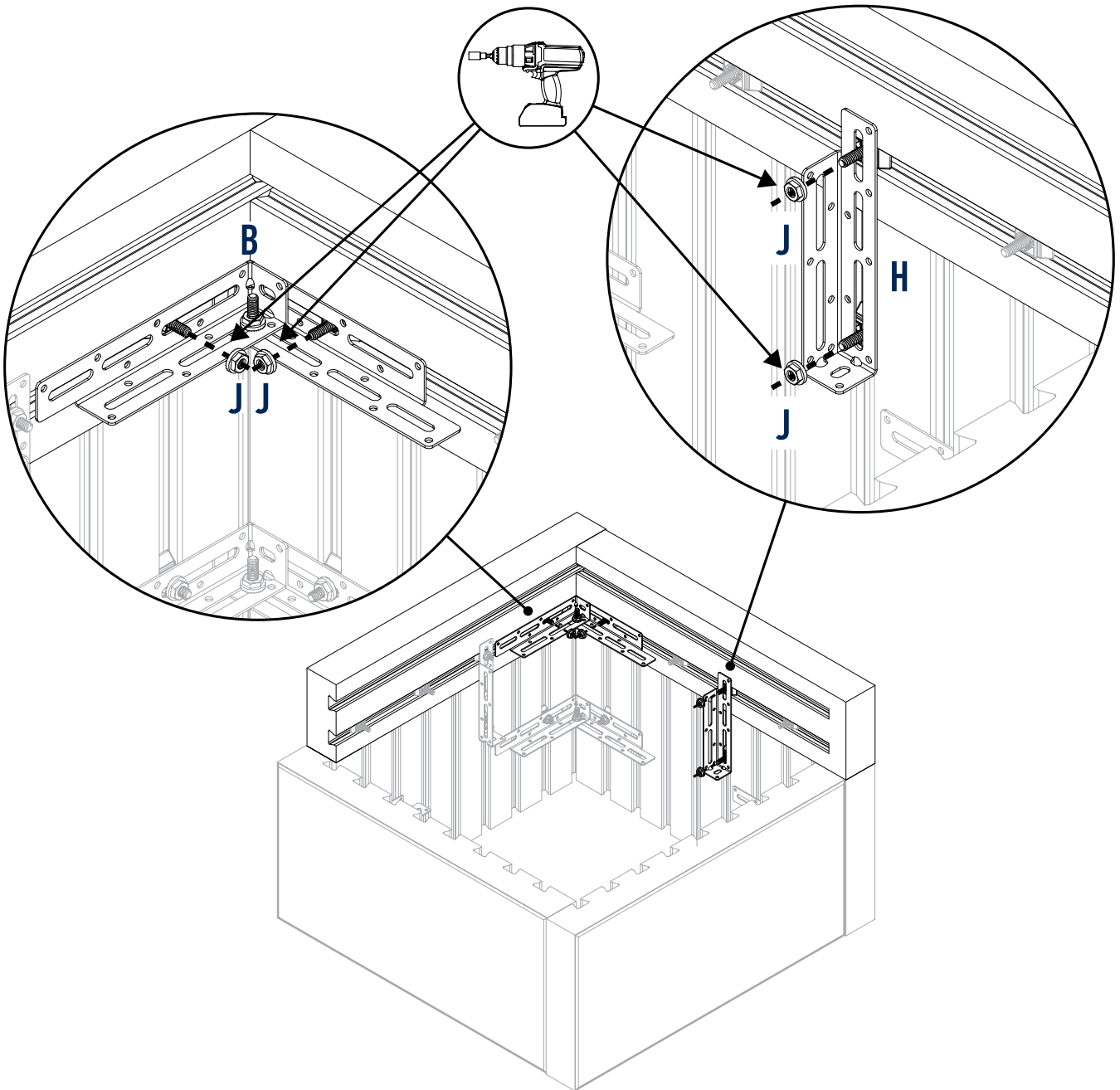


8



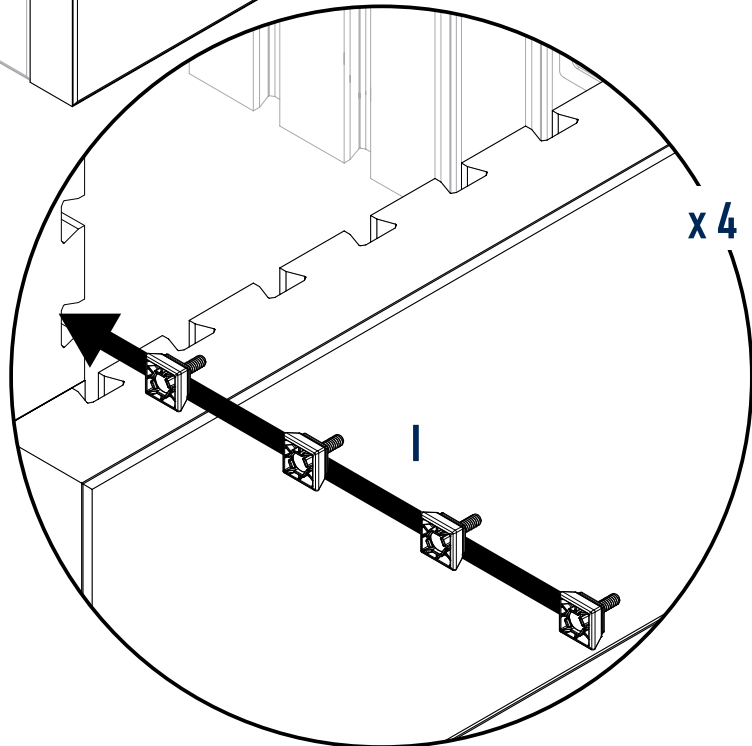
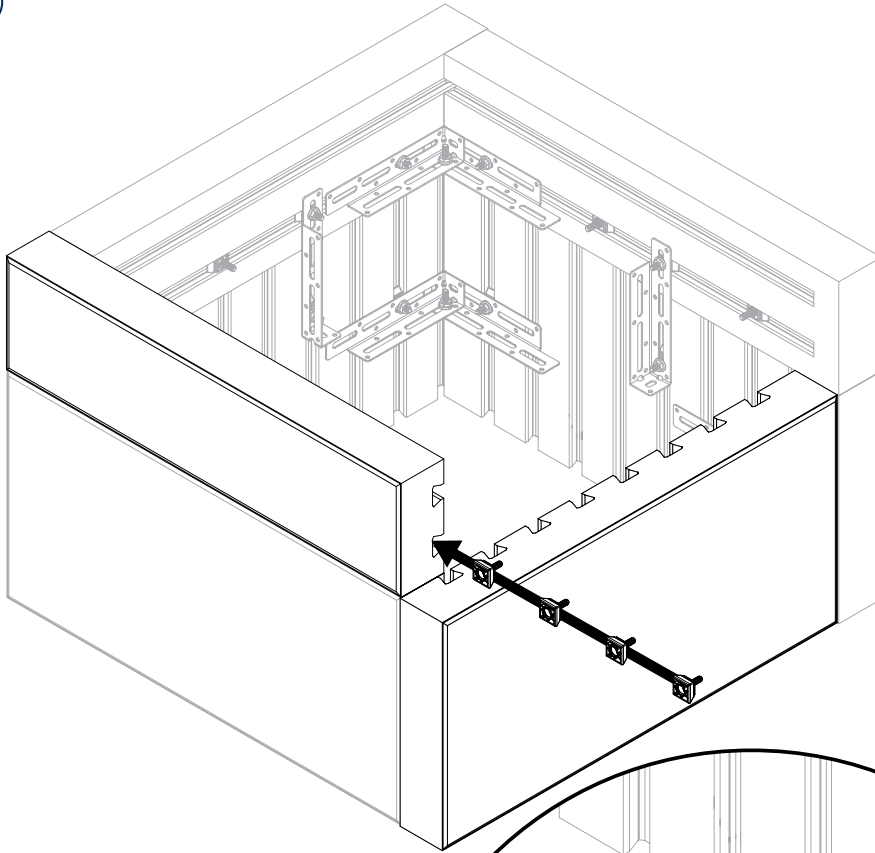


9



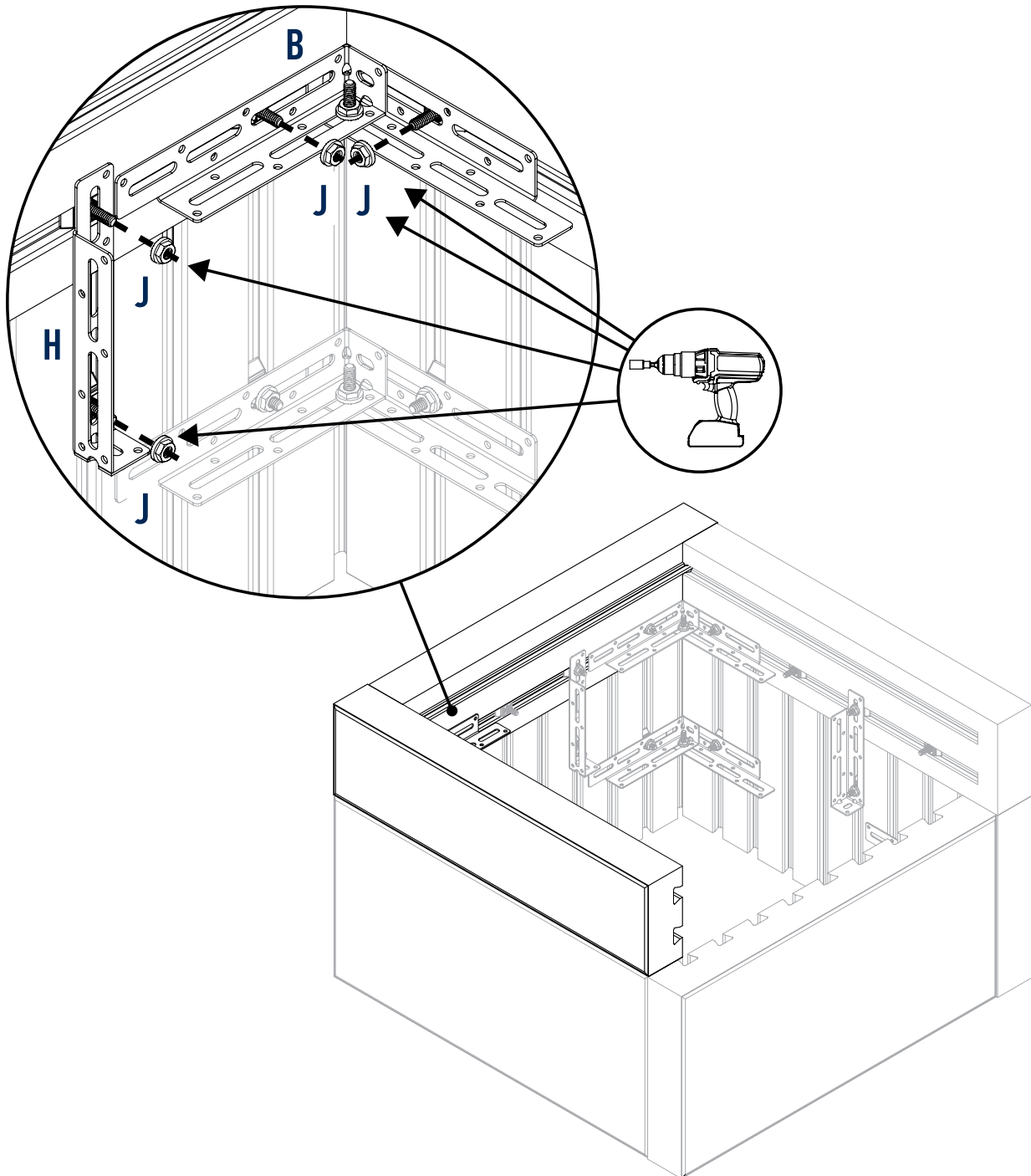


10



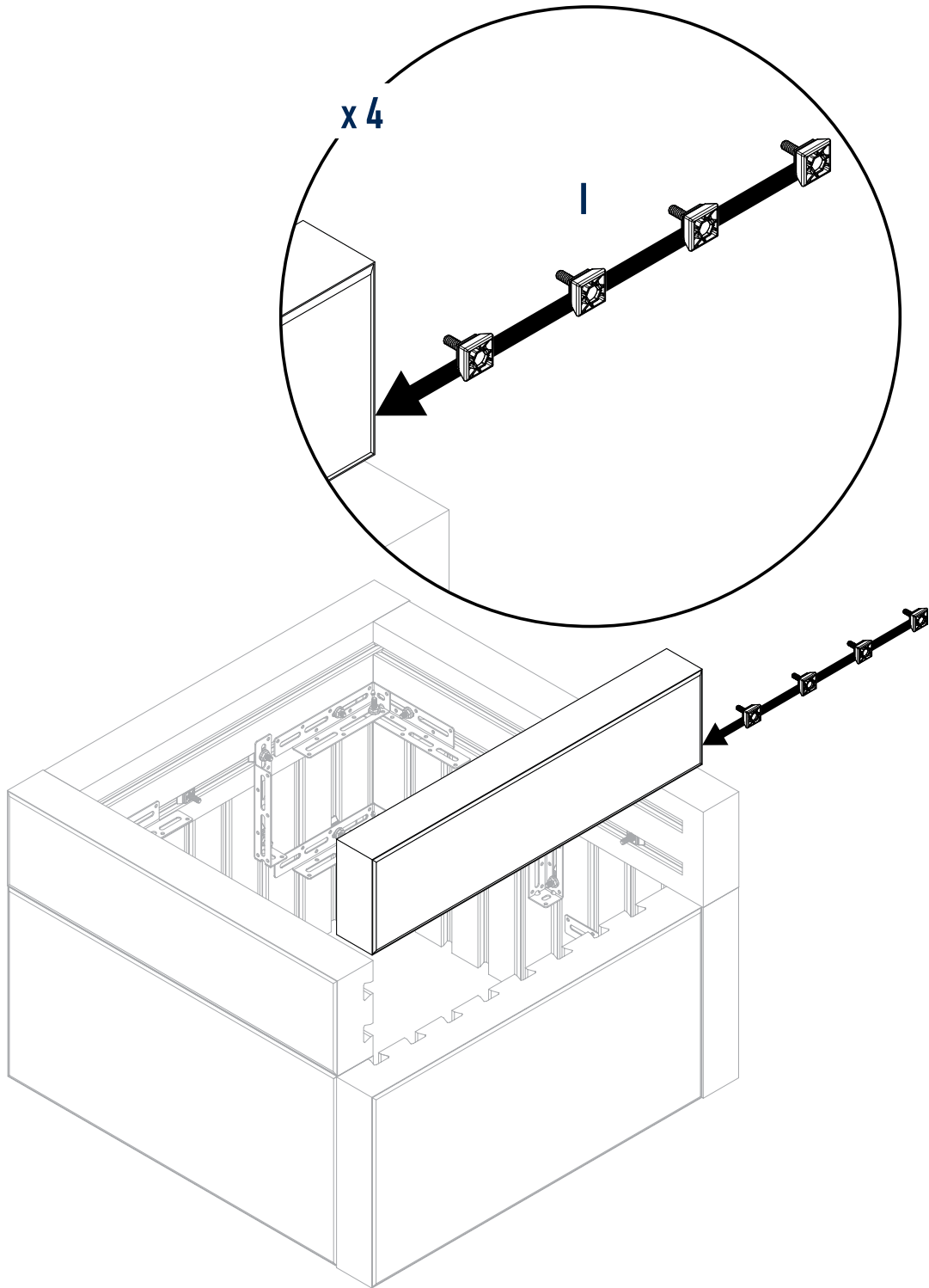


11



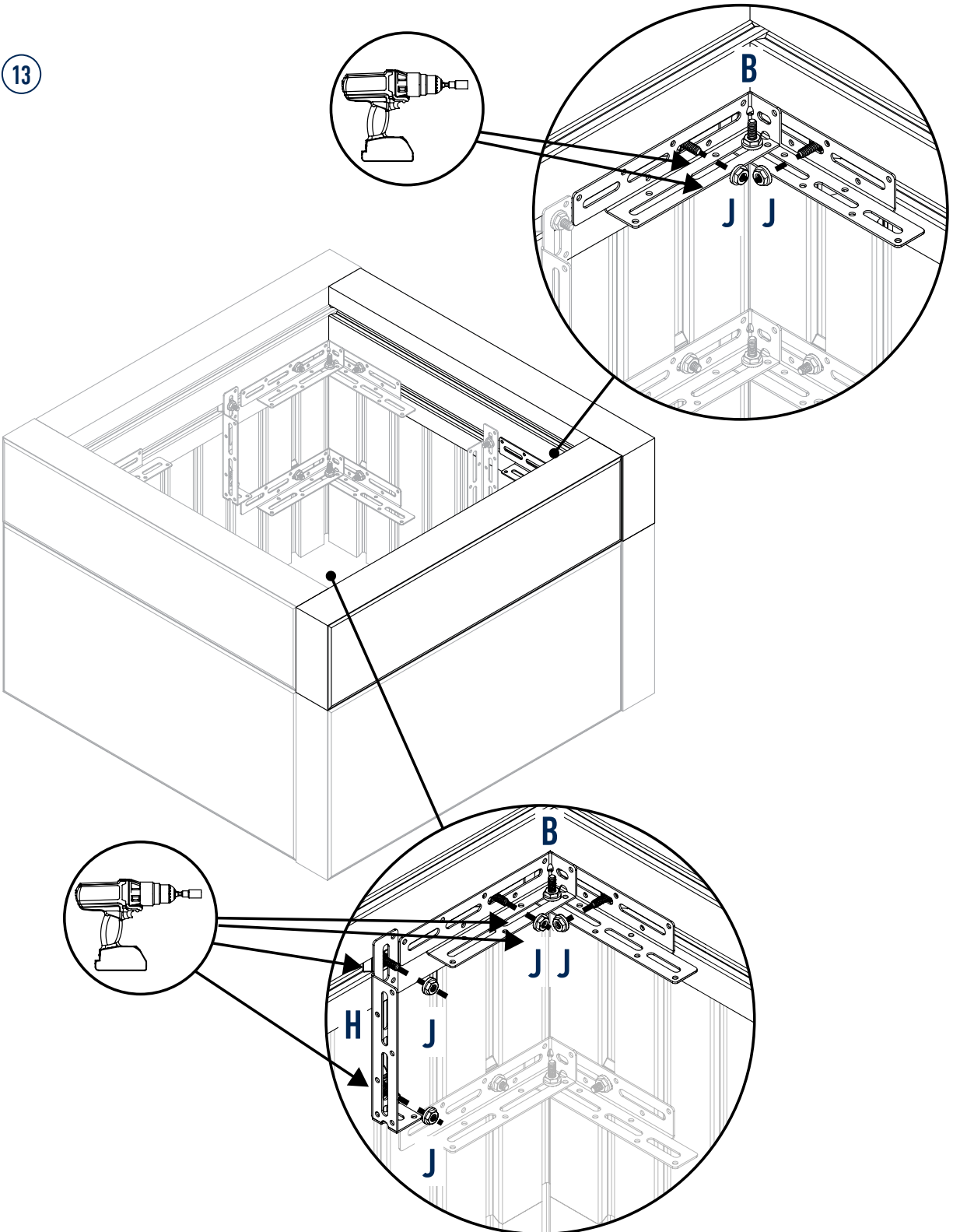


12



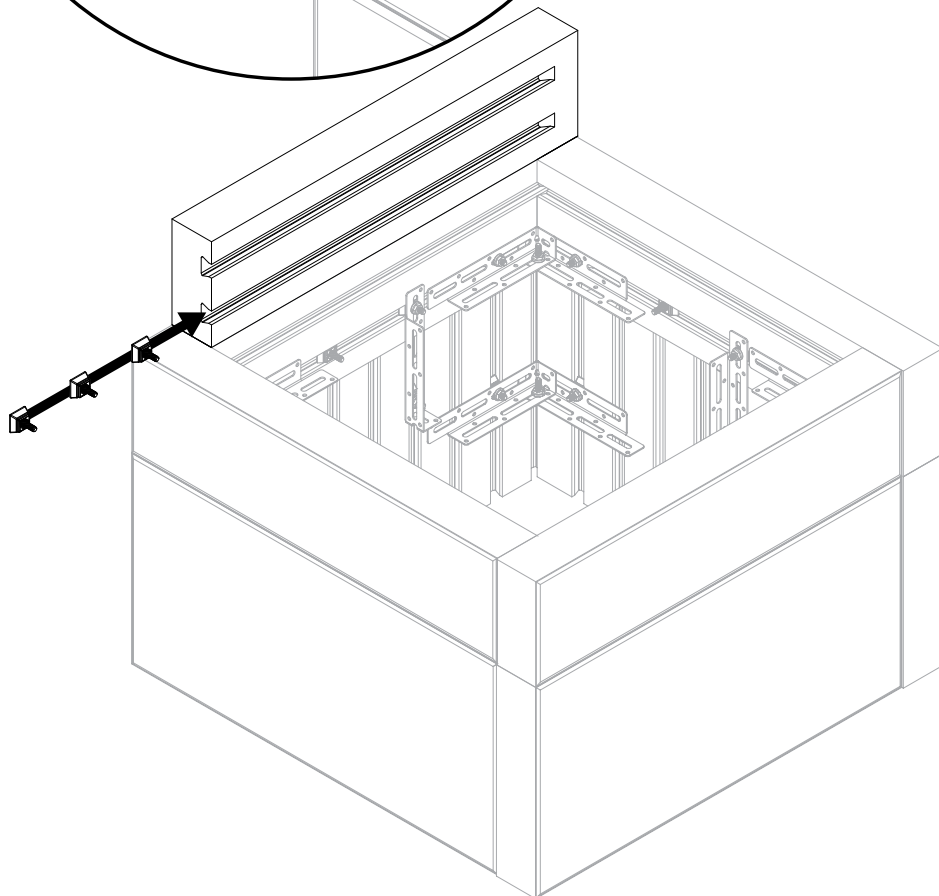
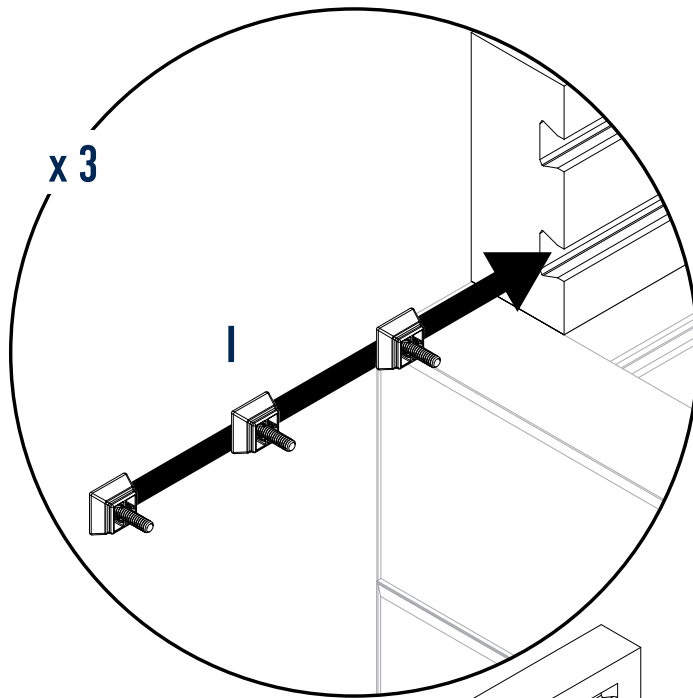


13



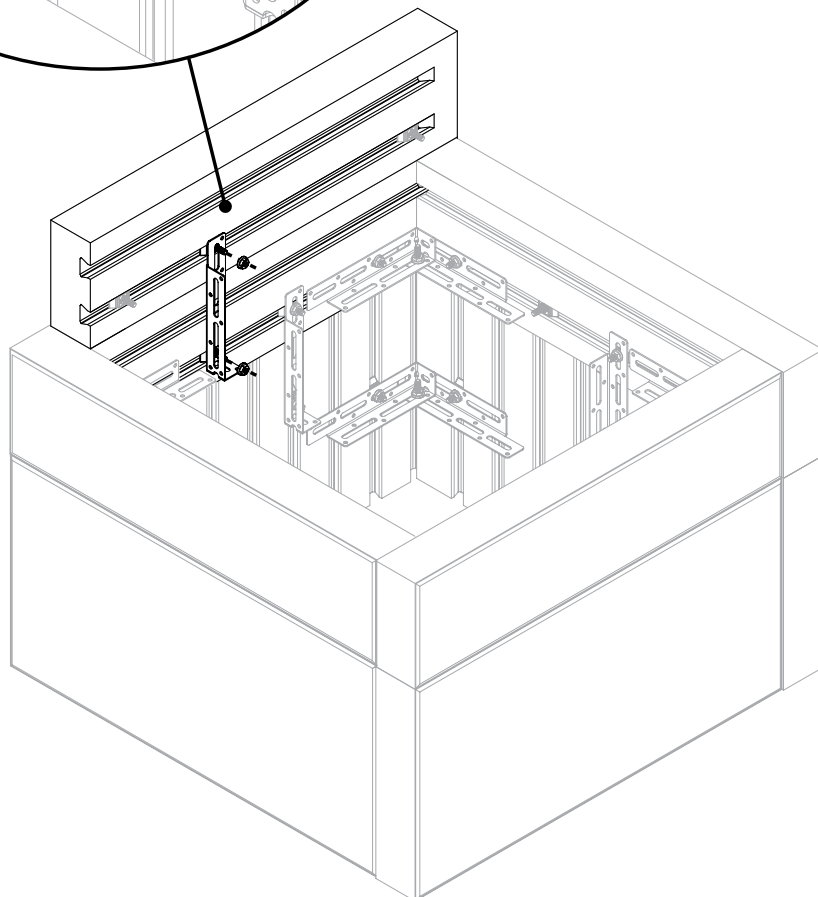
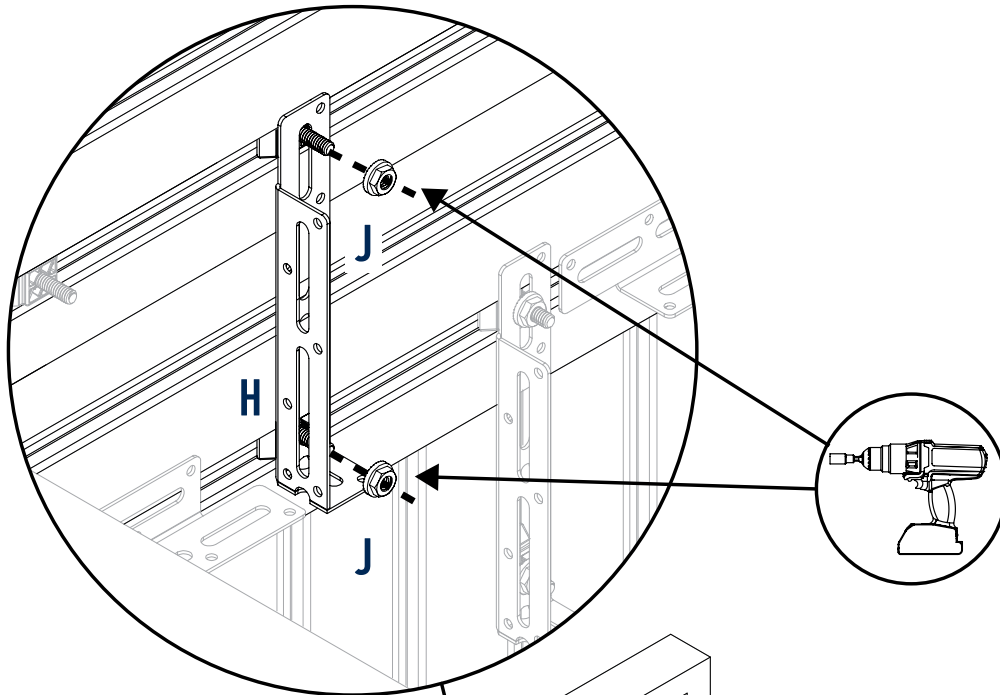


14



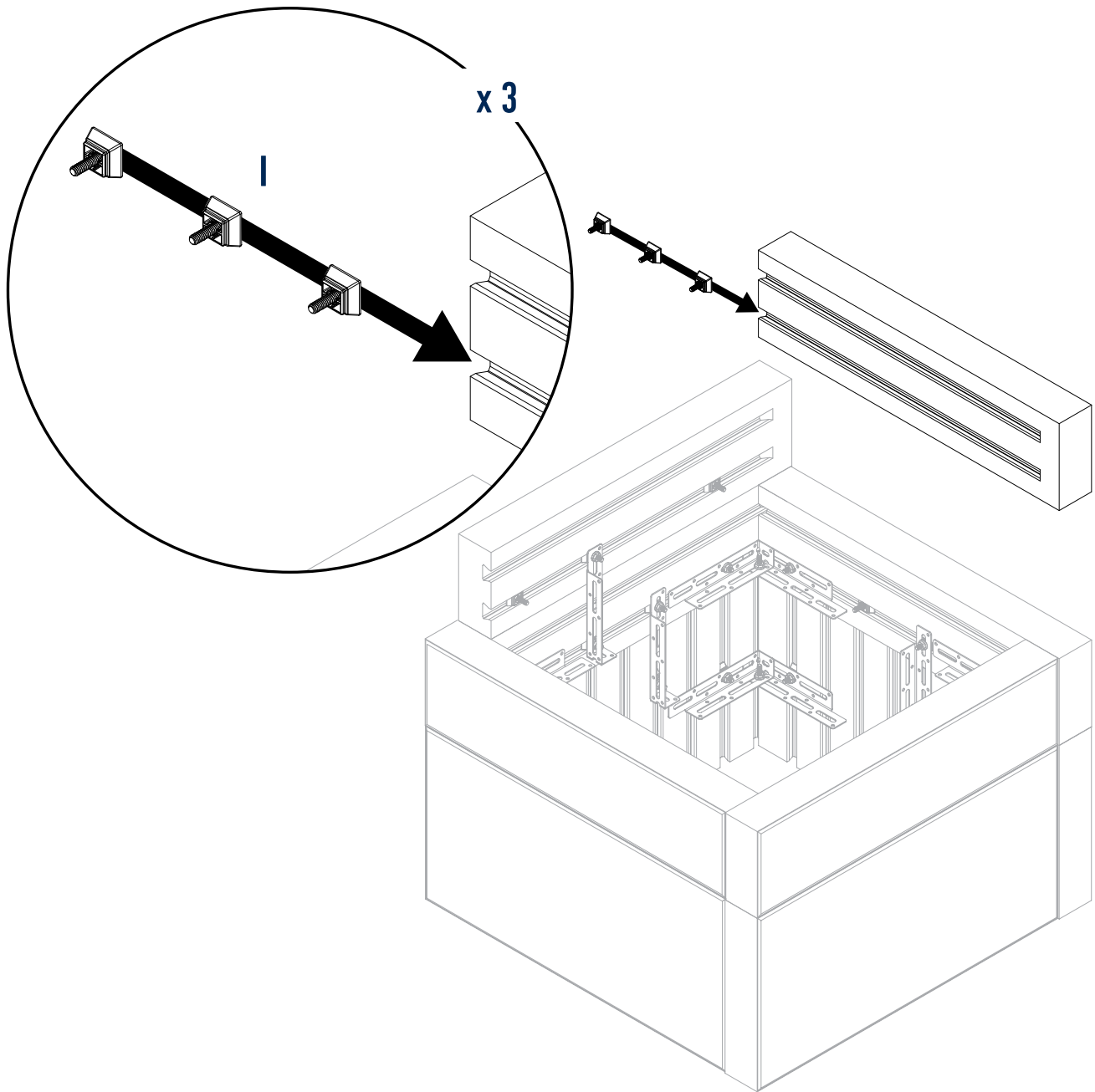


15



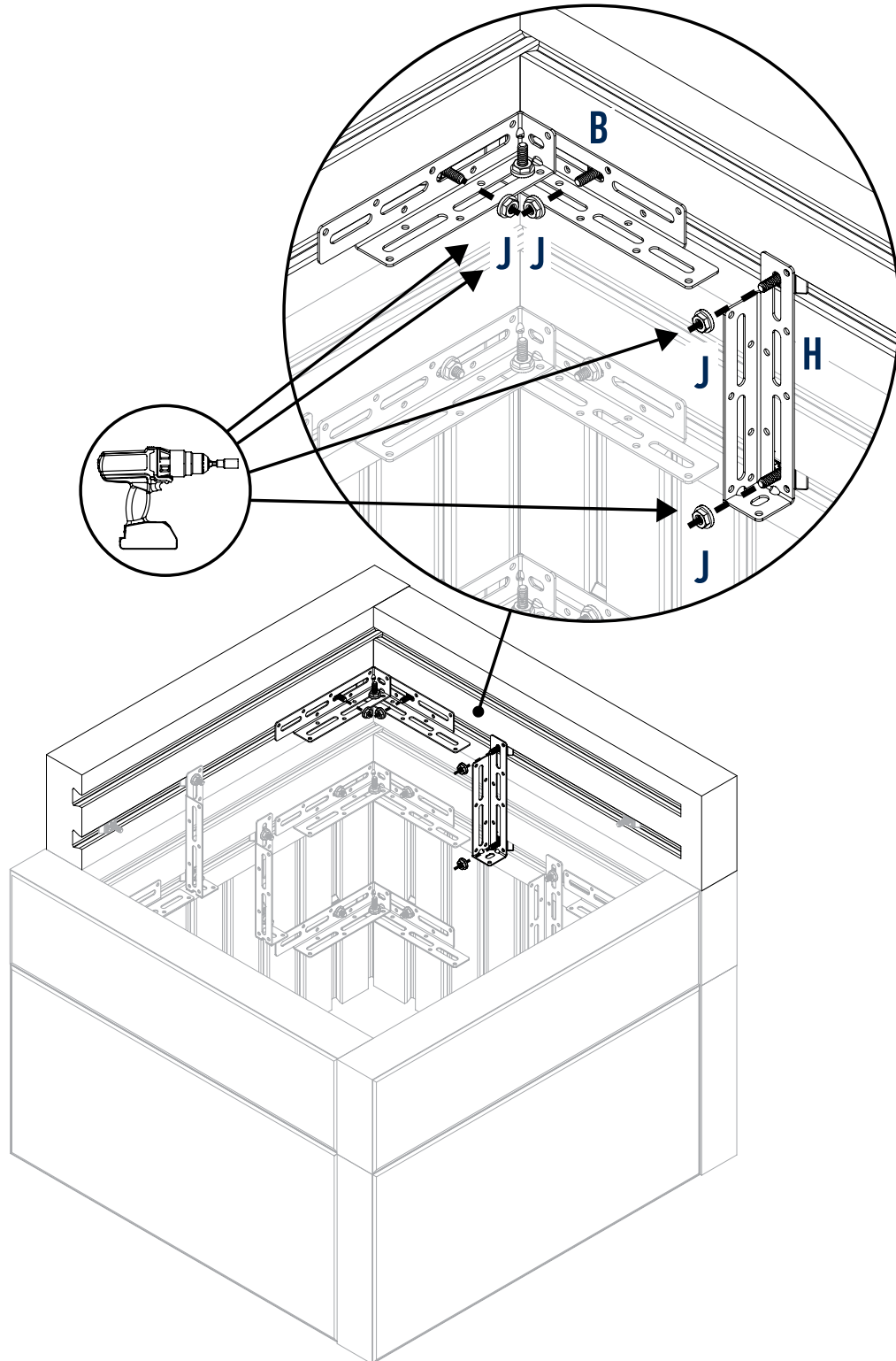


16



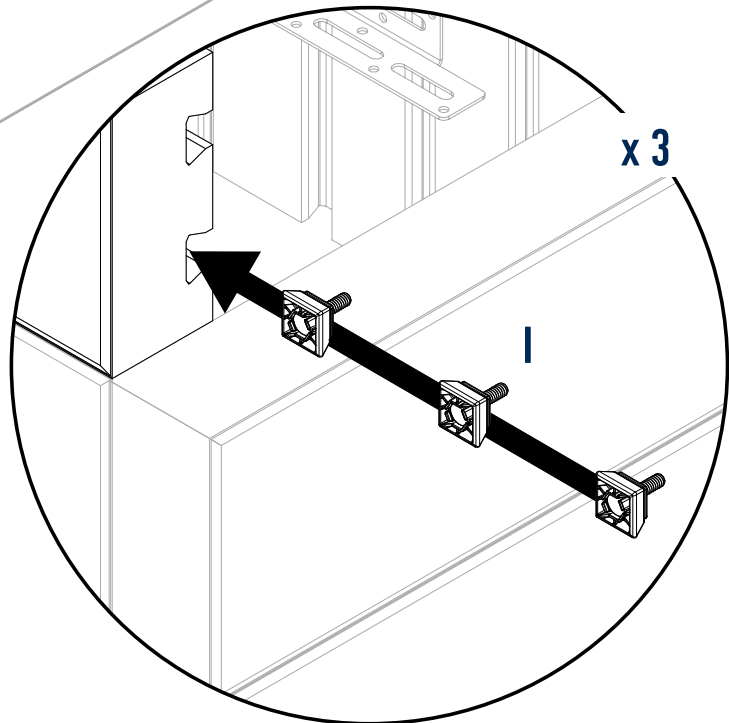
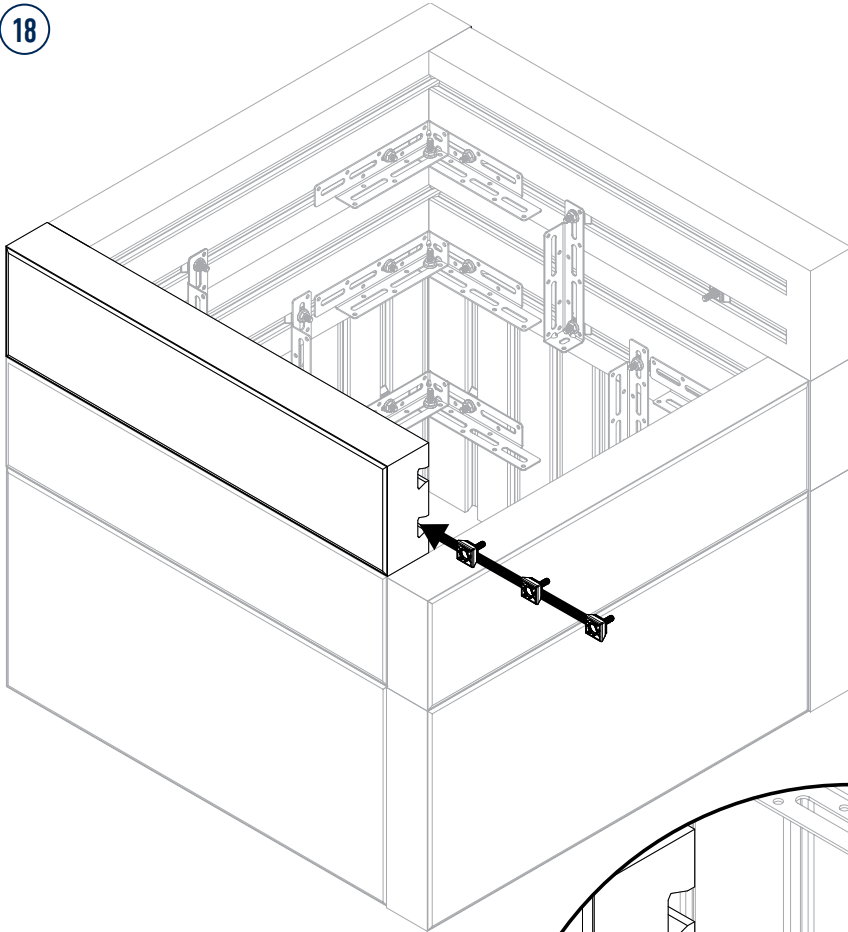


17



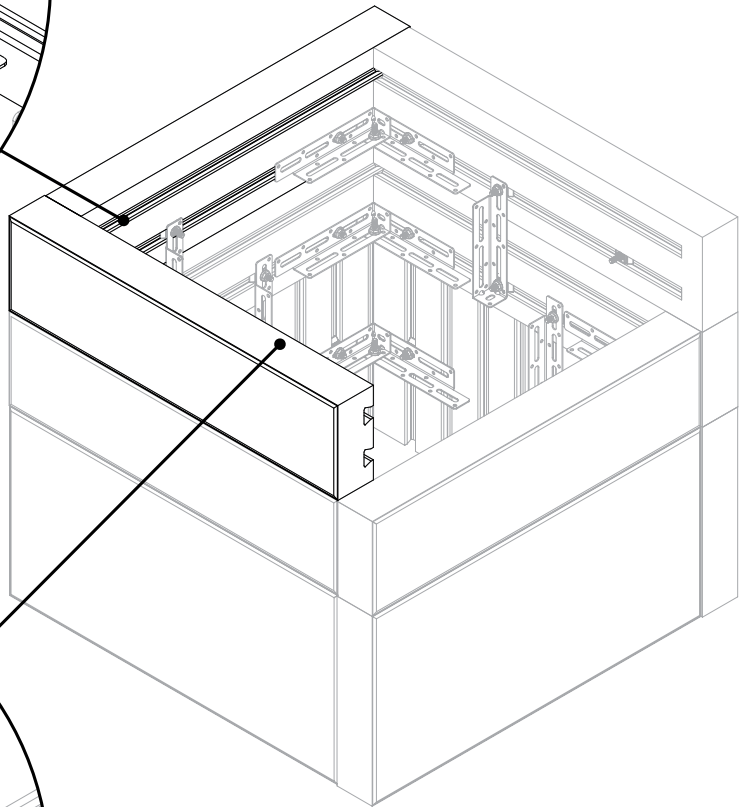
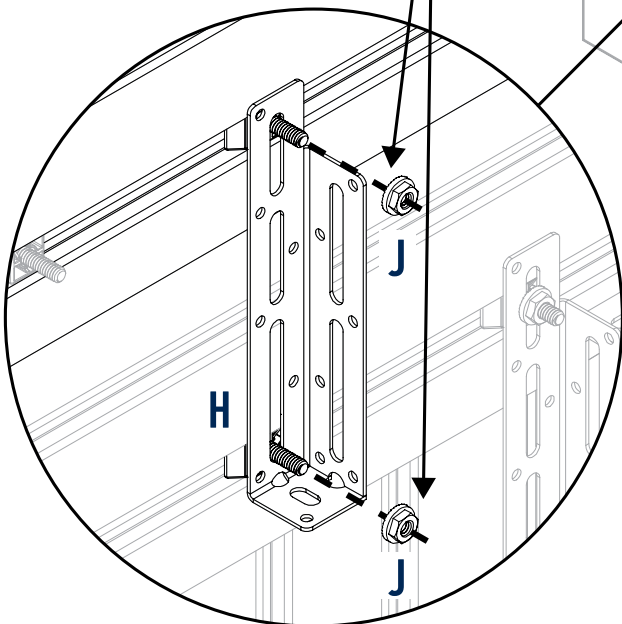
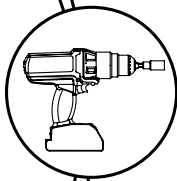
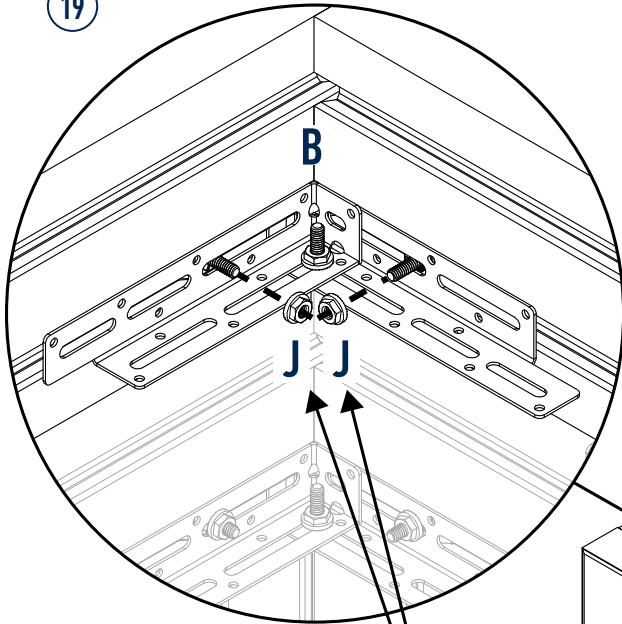


18



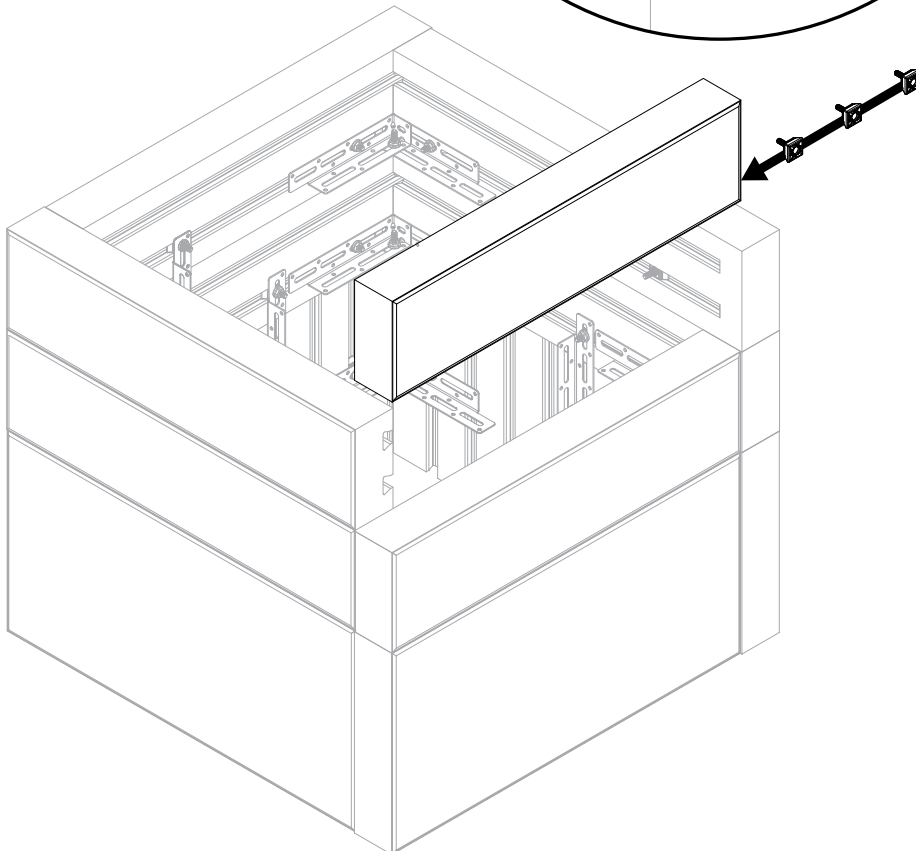
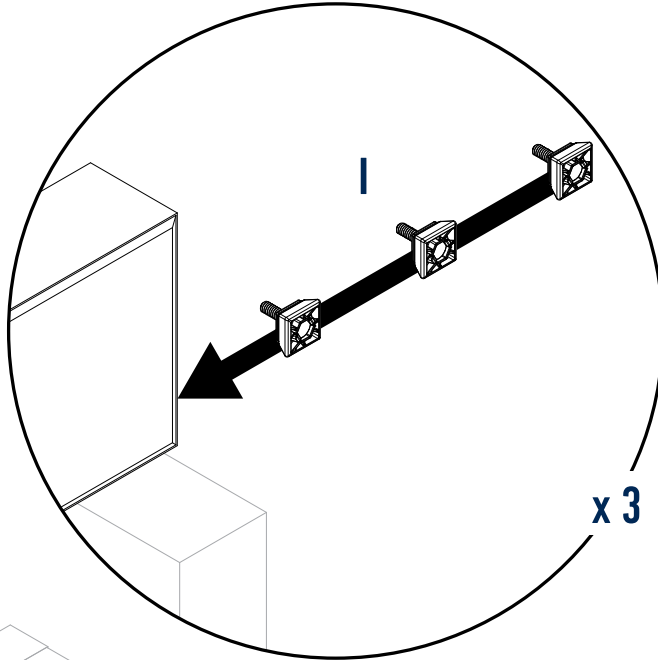


19

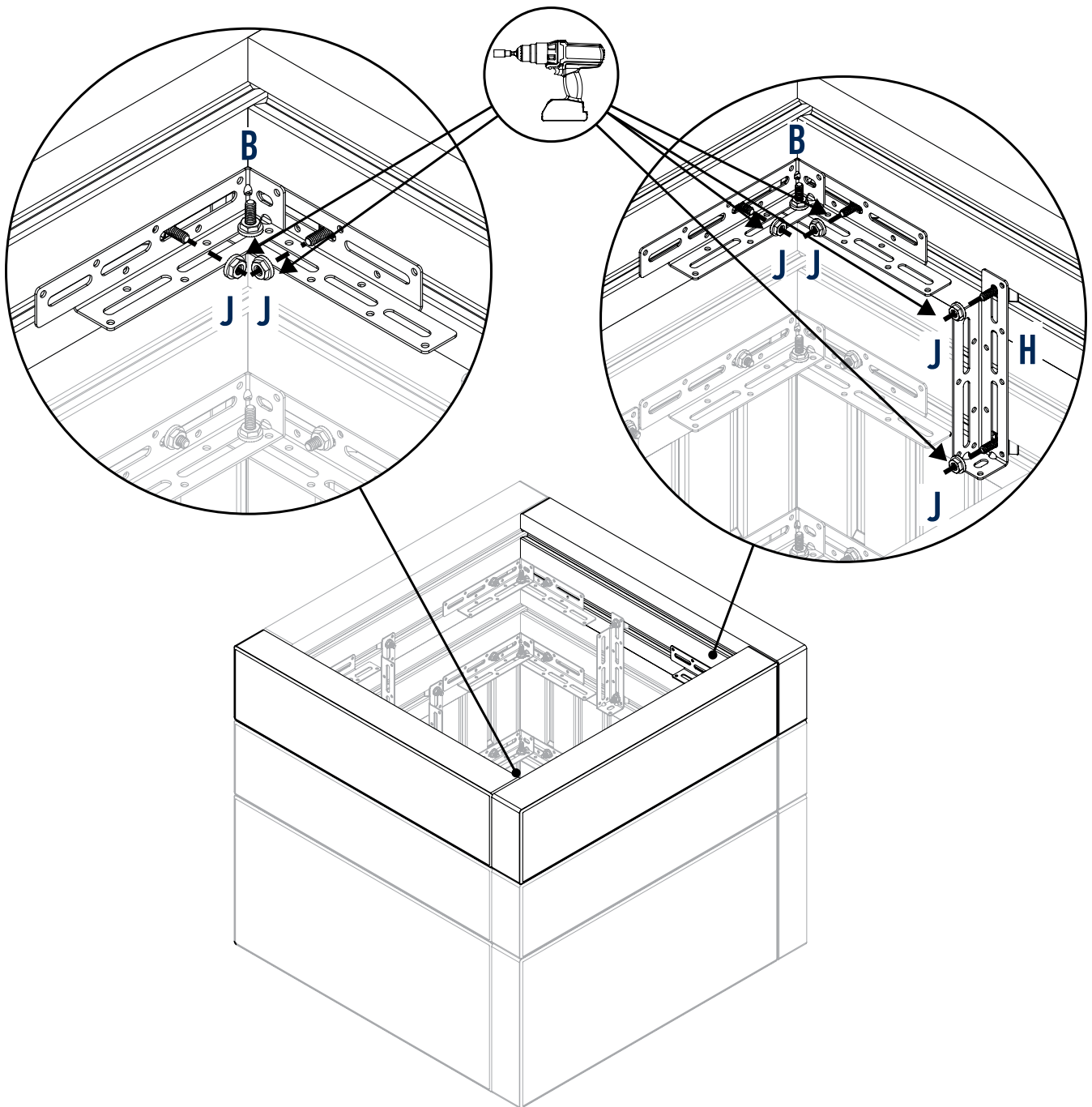


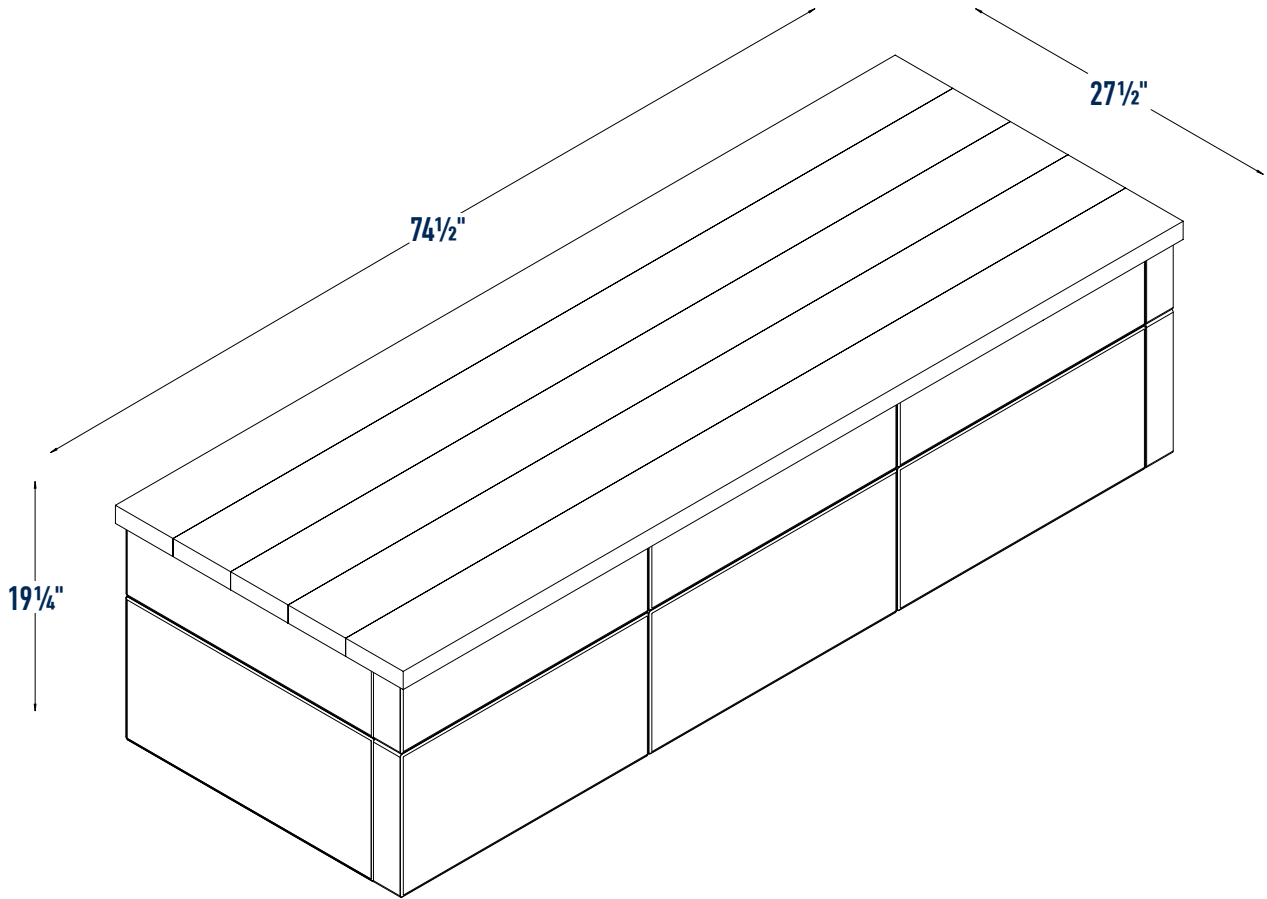


20

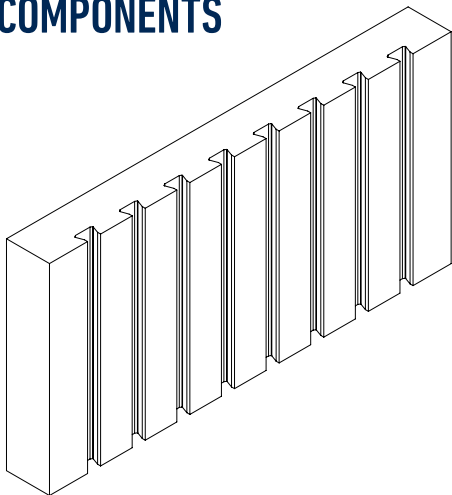


21

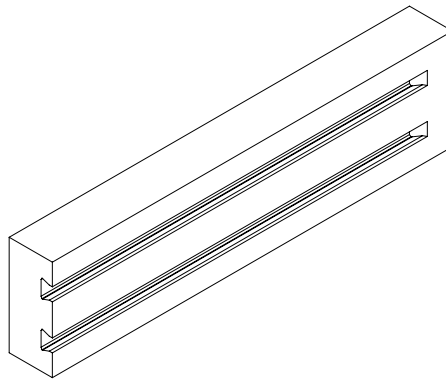




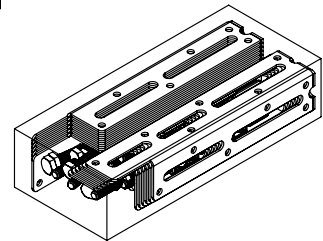
COMPONENTS



Large Panel (x8)
12" x 24"



Small Panel (x8)
6" x 24"

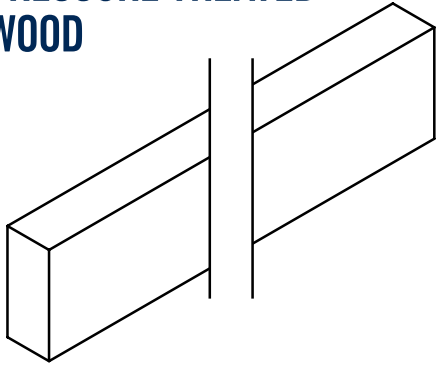


Hardware Kit (x3)



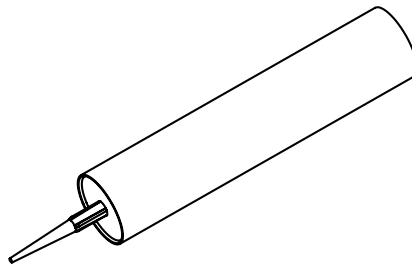
2" x 6" x 8'
**PRESSURE TREATED
WOOD**

x5



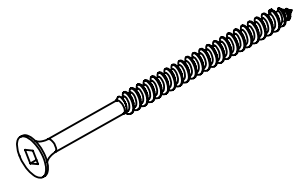
**OUTDOOR
SILICONE**

x1



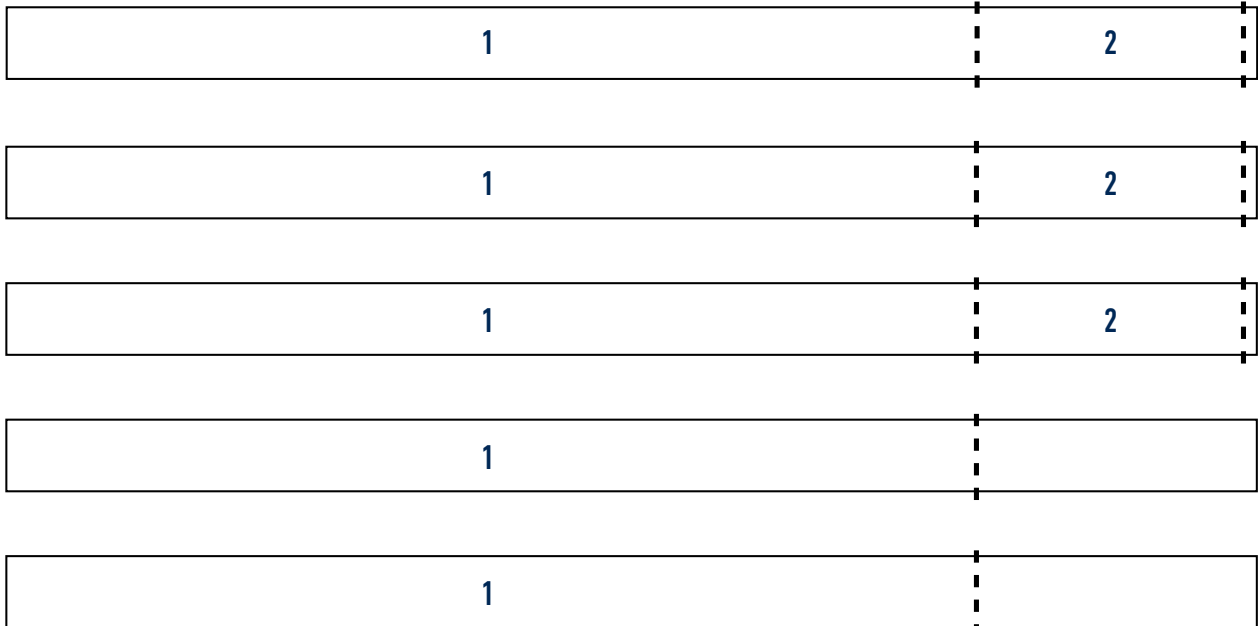
#8 2½"
DECK SCREW

x30



WOOD CUTS

1 = 74½"
2 = 20½"



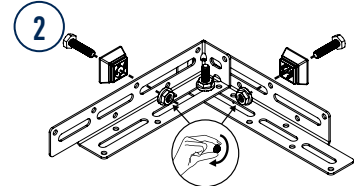
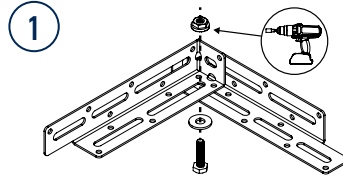
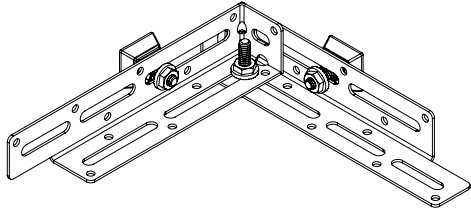


DESIGNFORMS™

6 FT BENCH - WOOD TOP

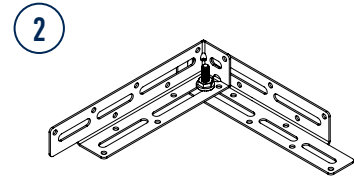
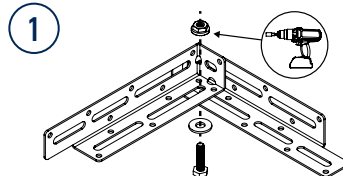
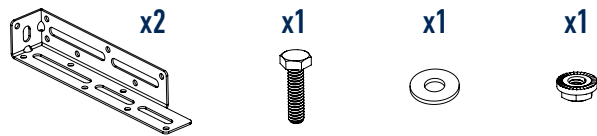
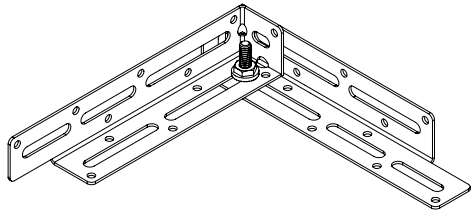
BRACKET A

x4



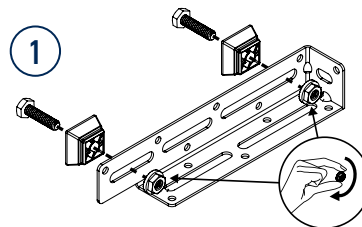
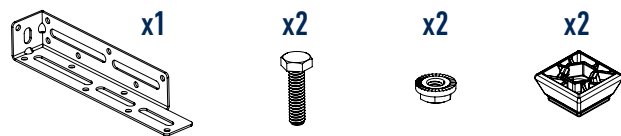
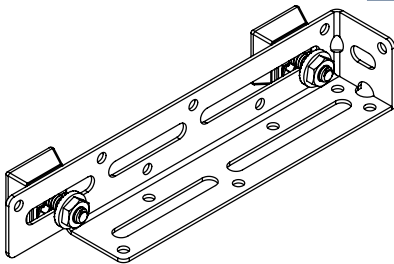
BRACKET B

x4



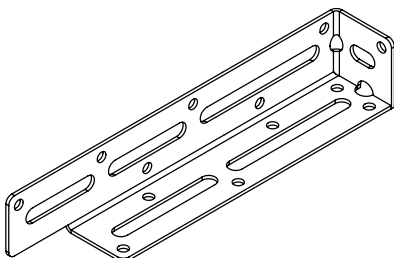
BRACKET C

x4



BRACKET H

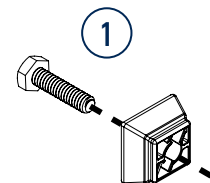
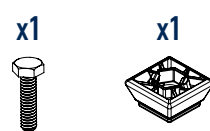
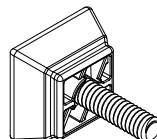
x12



ASSEMBLY I

x32

Use with
BRACKETS B and H
during build



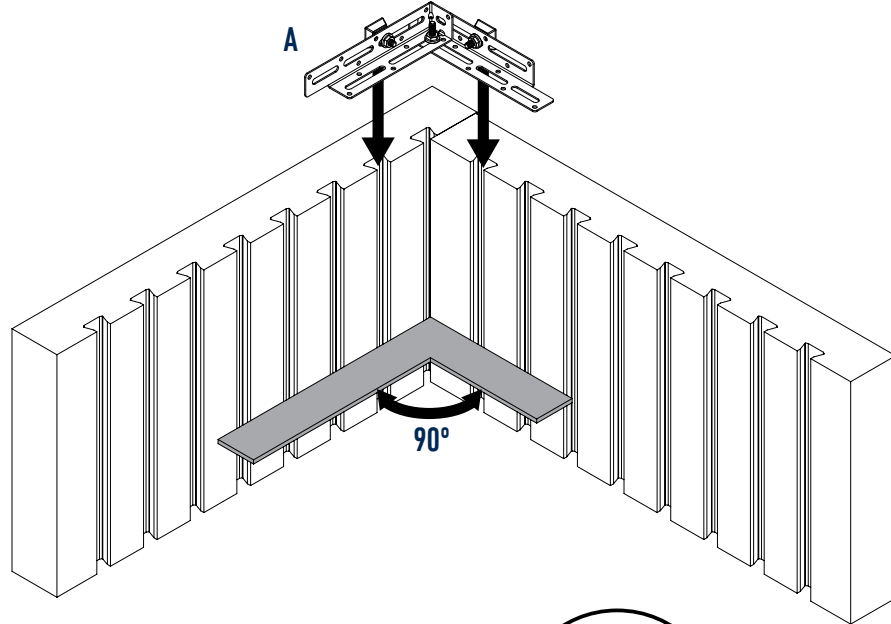
J

x32

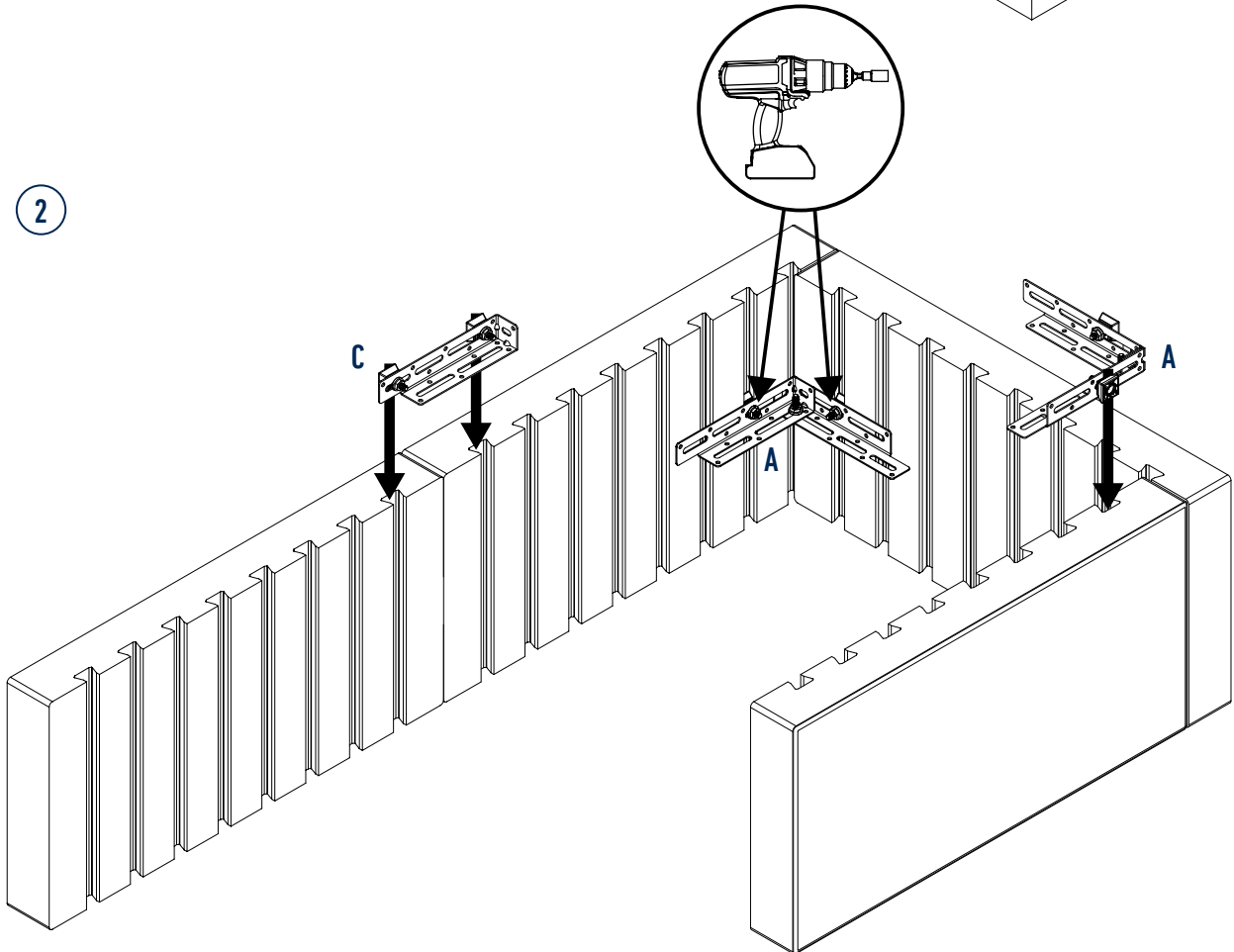




1

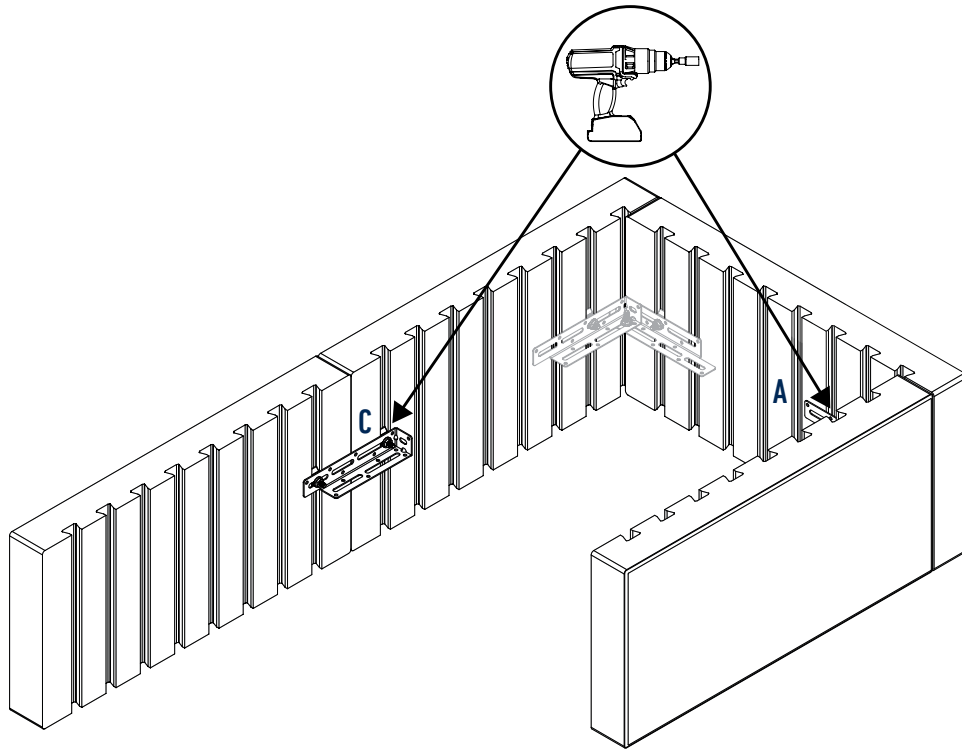


2

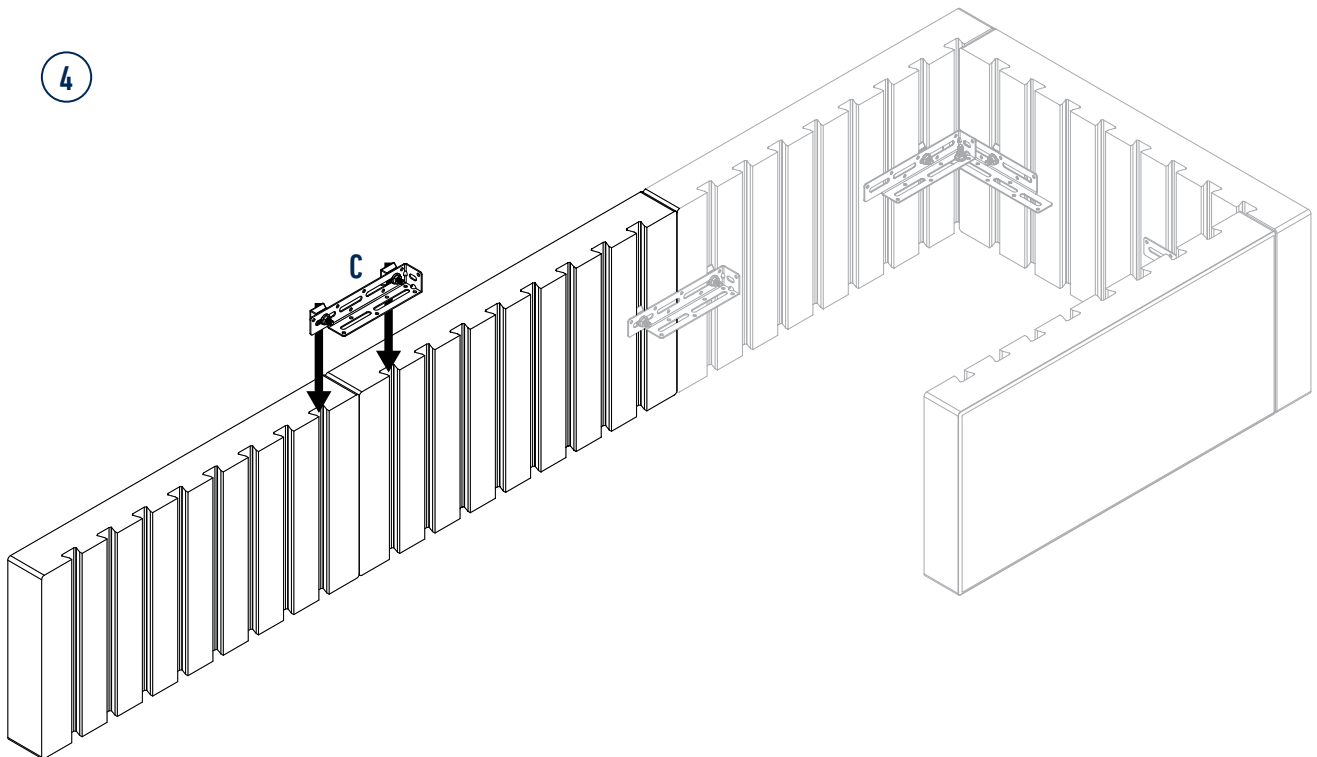




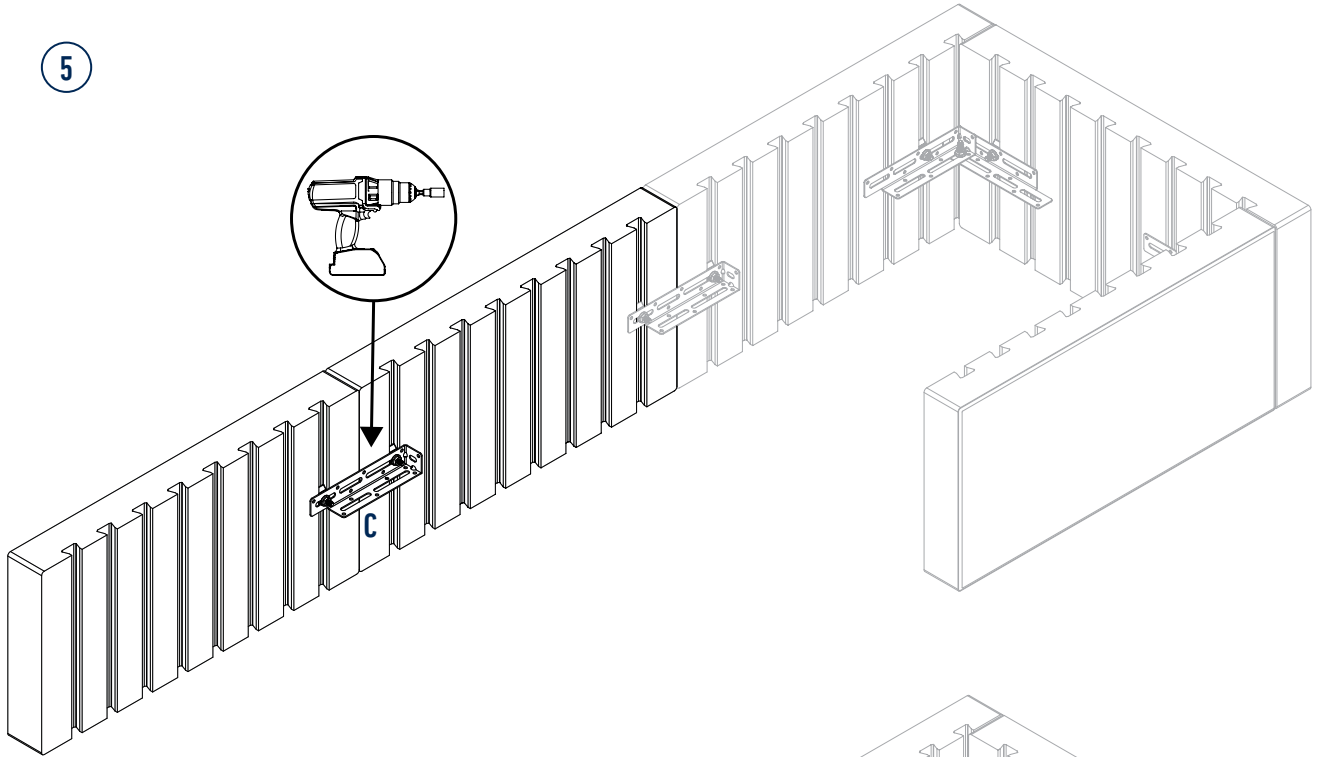
3



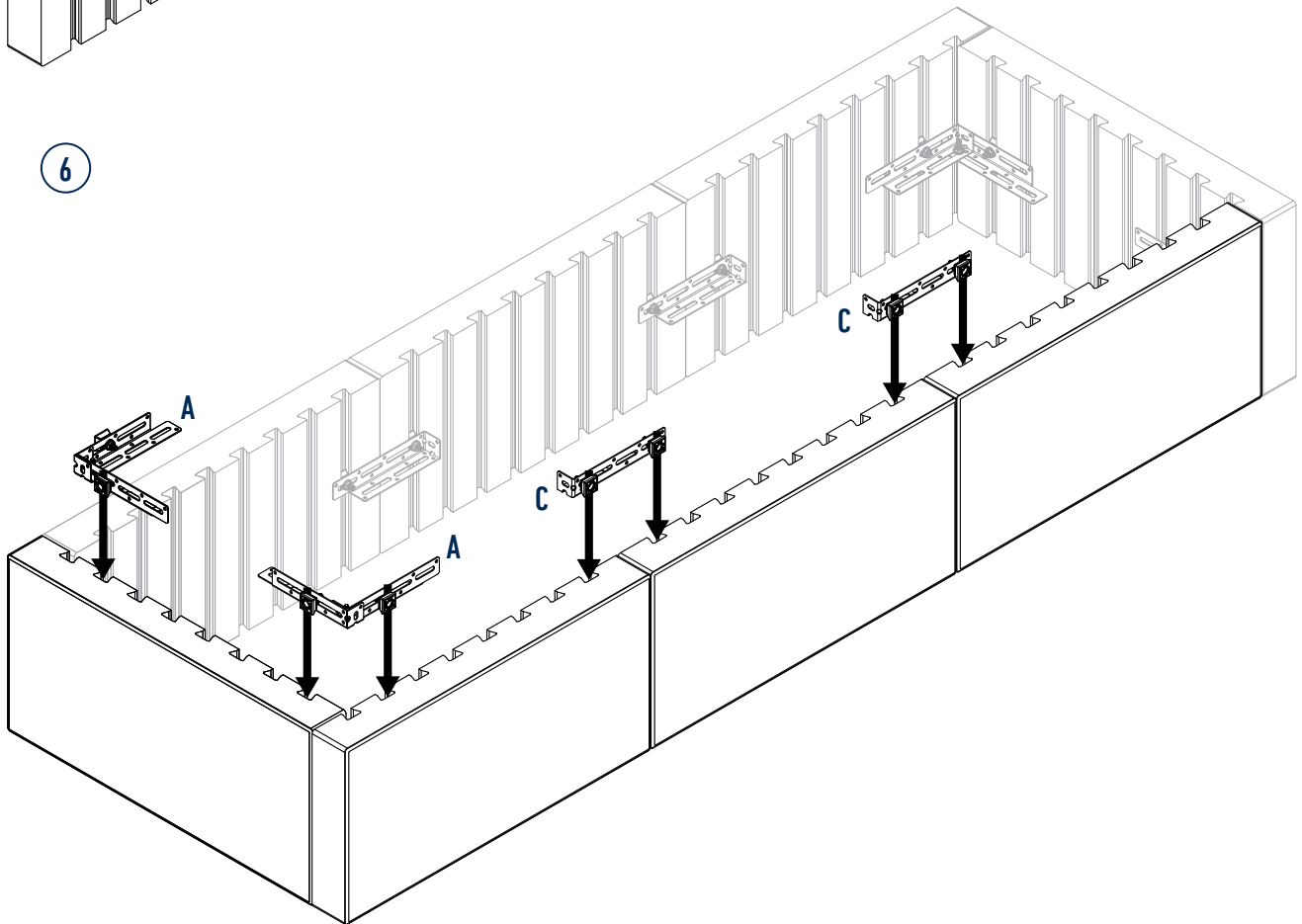
4



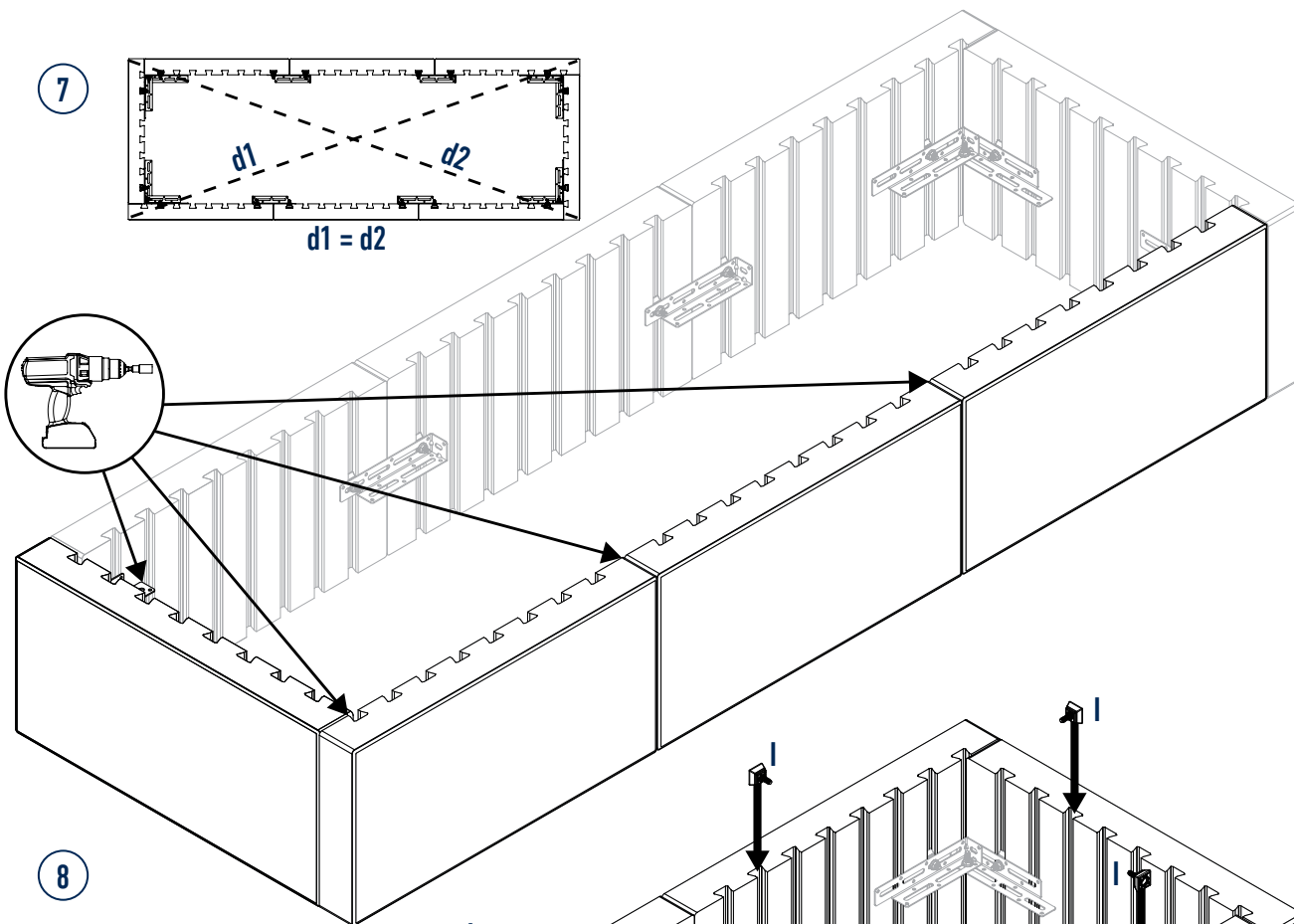
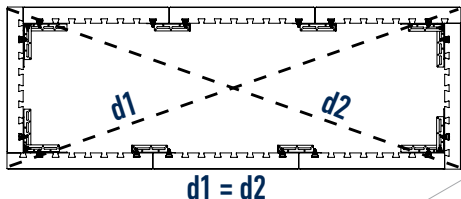
5



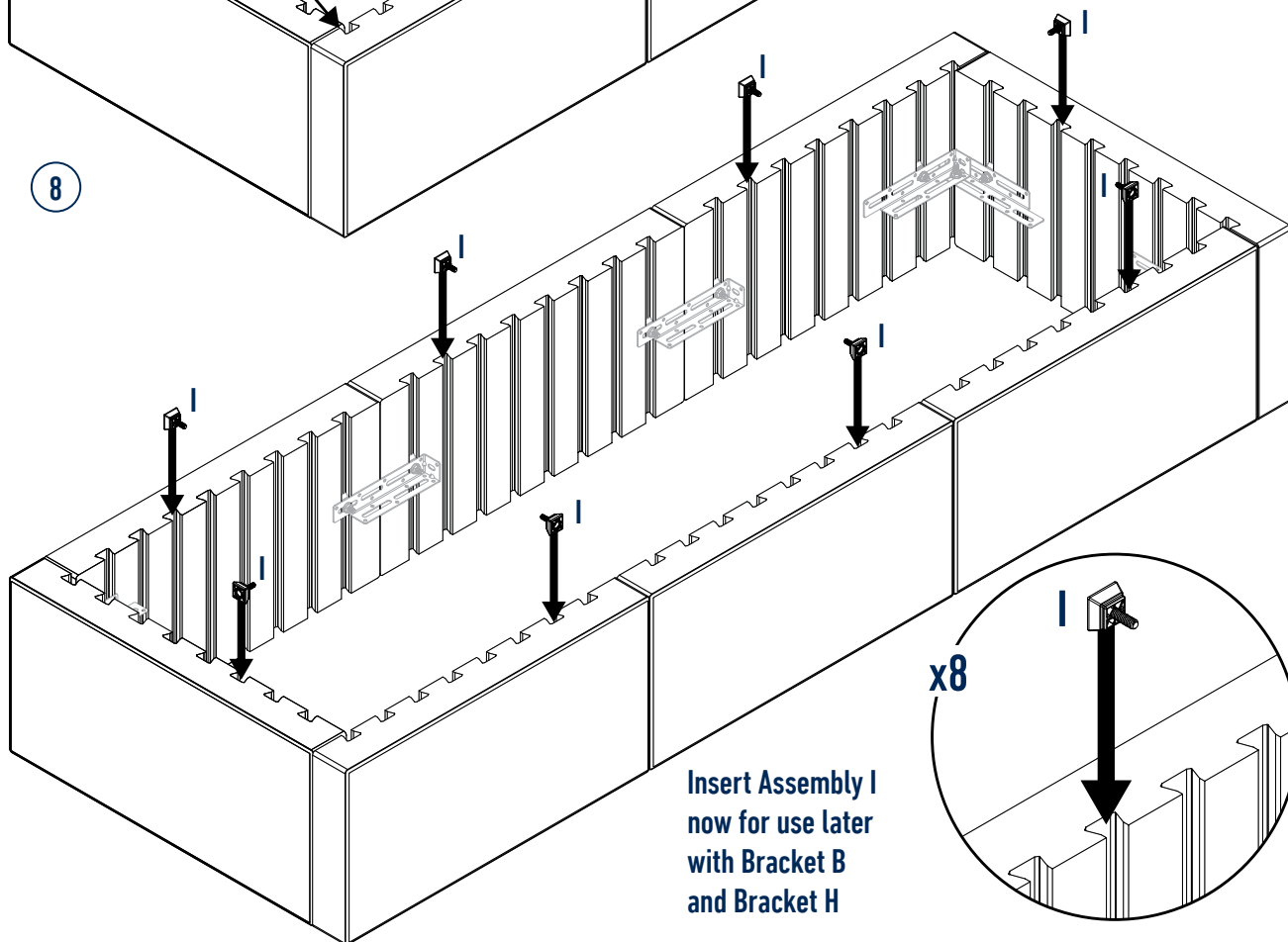
6



7



8



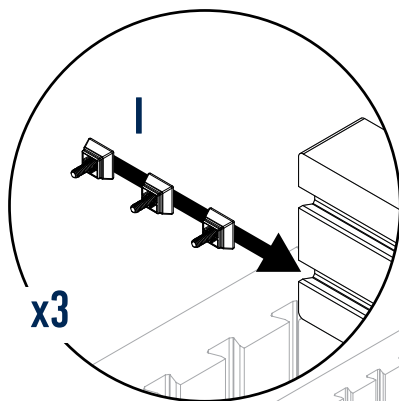
Insert Assembly I
now for use later
with Bracket B
and Bracket H



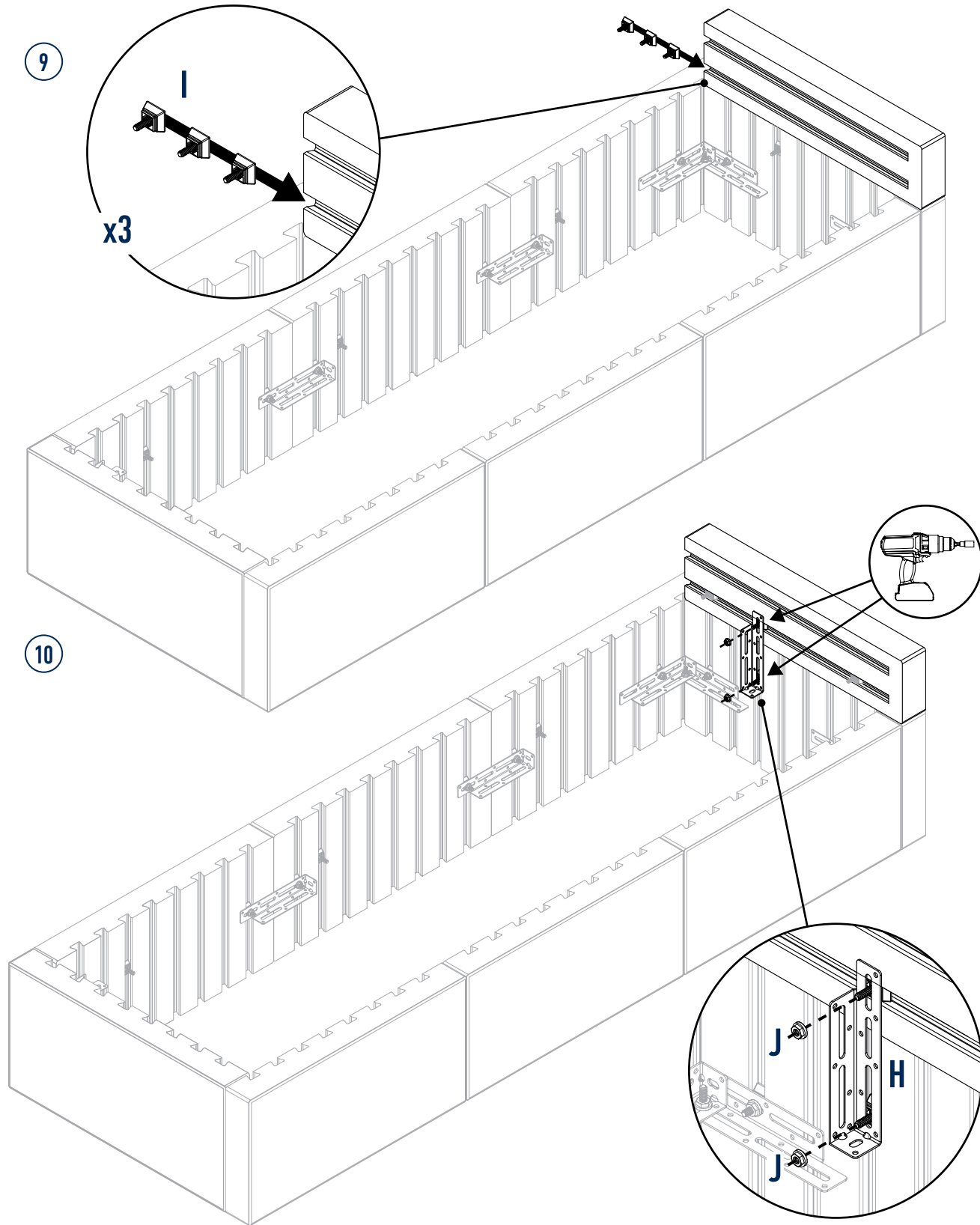
DESIGNFORMS™

6 FT BENCH
- WOOD TOP

9



10

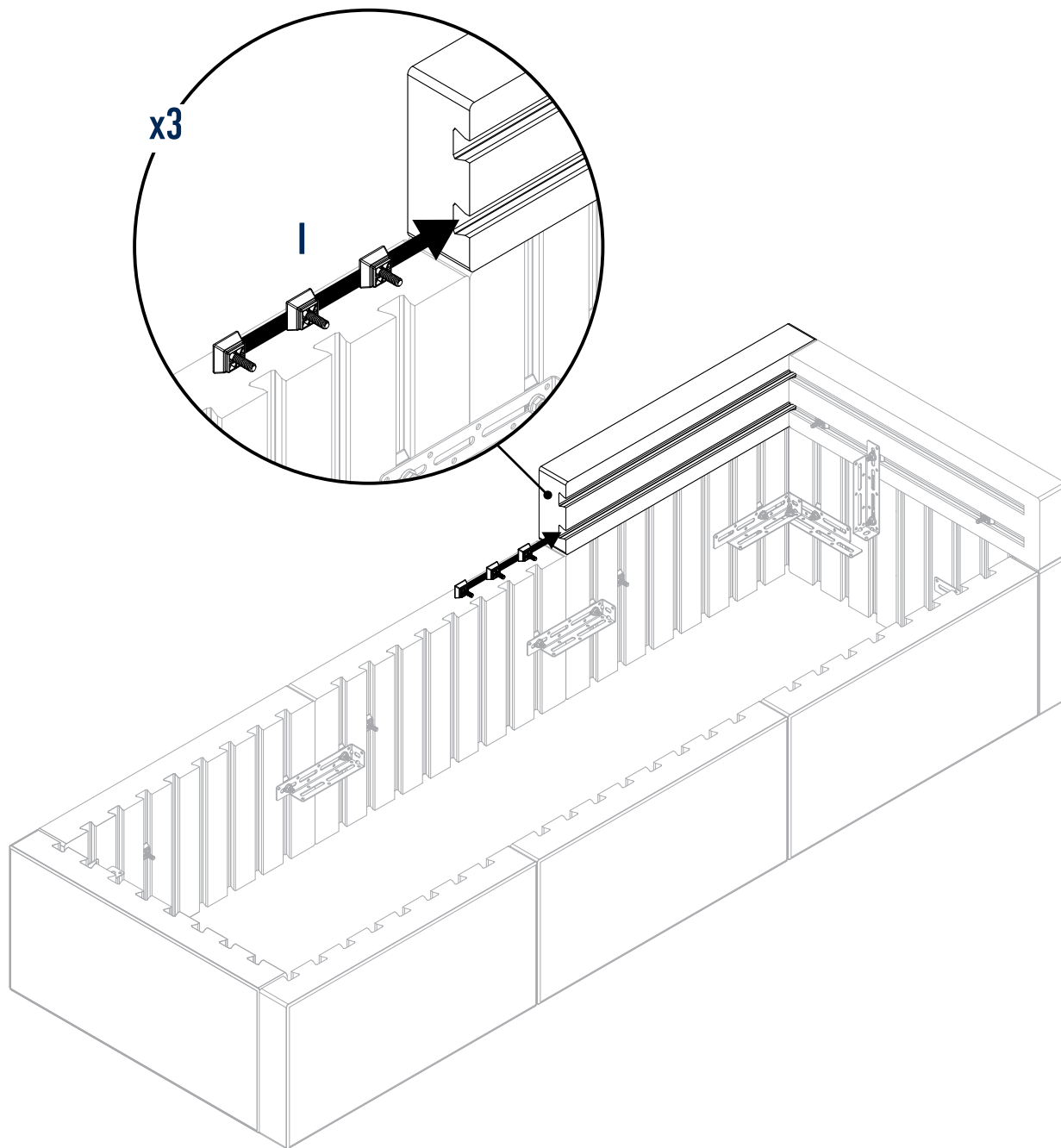




DESIGNFORMS™

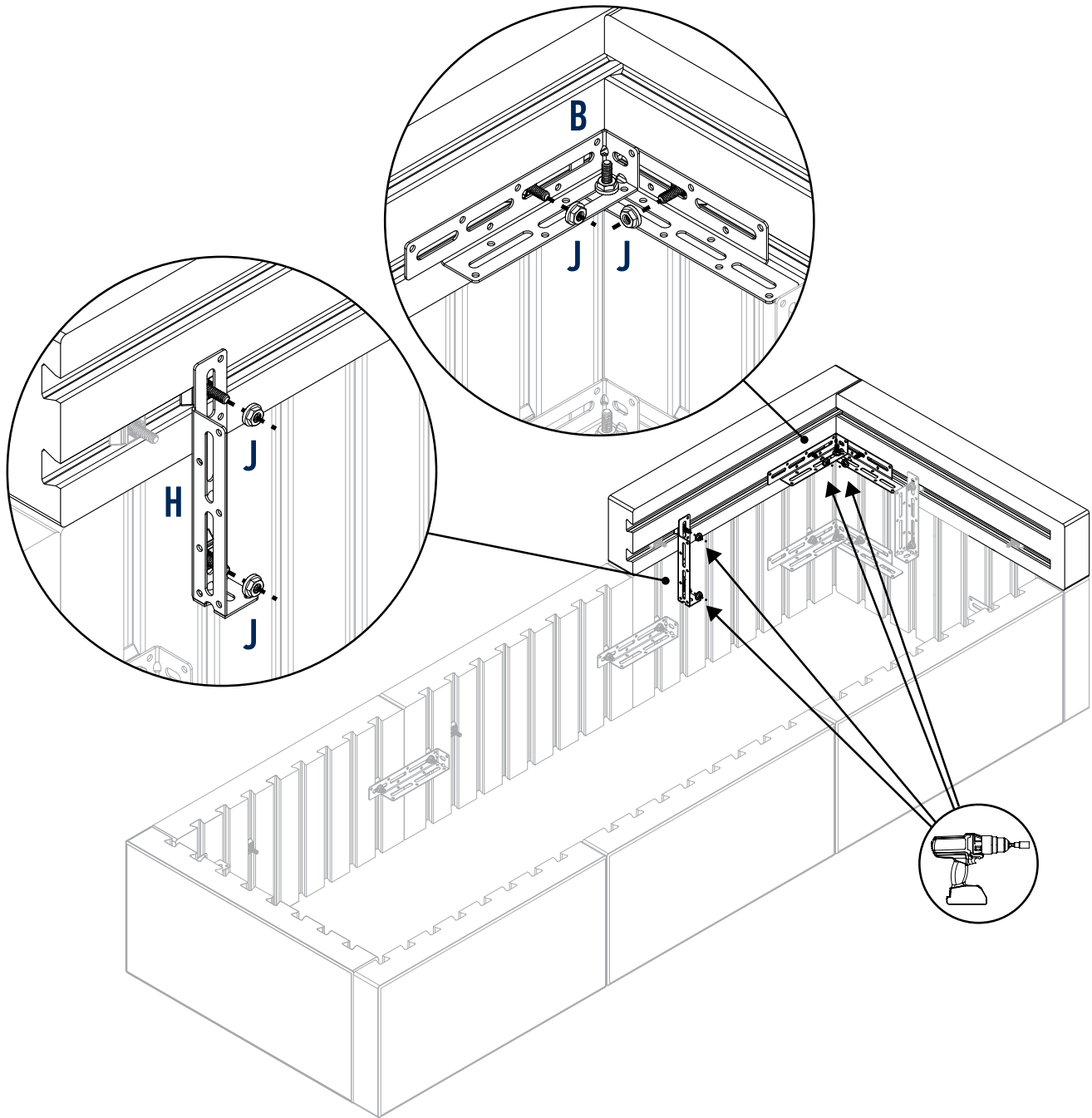
6 FT BENCH
- WOOD TOP

11

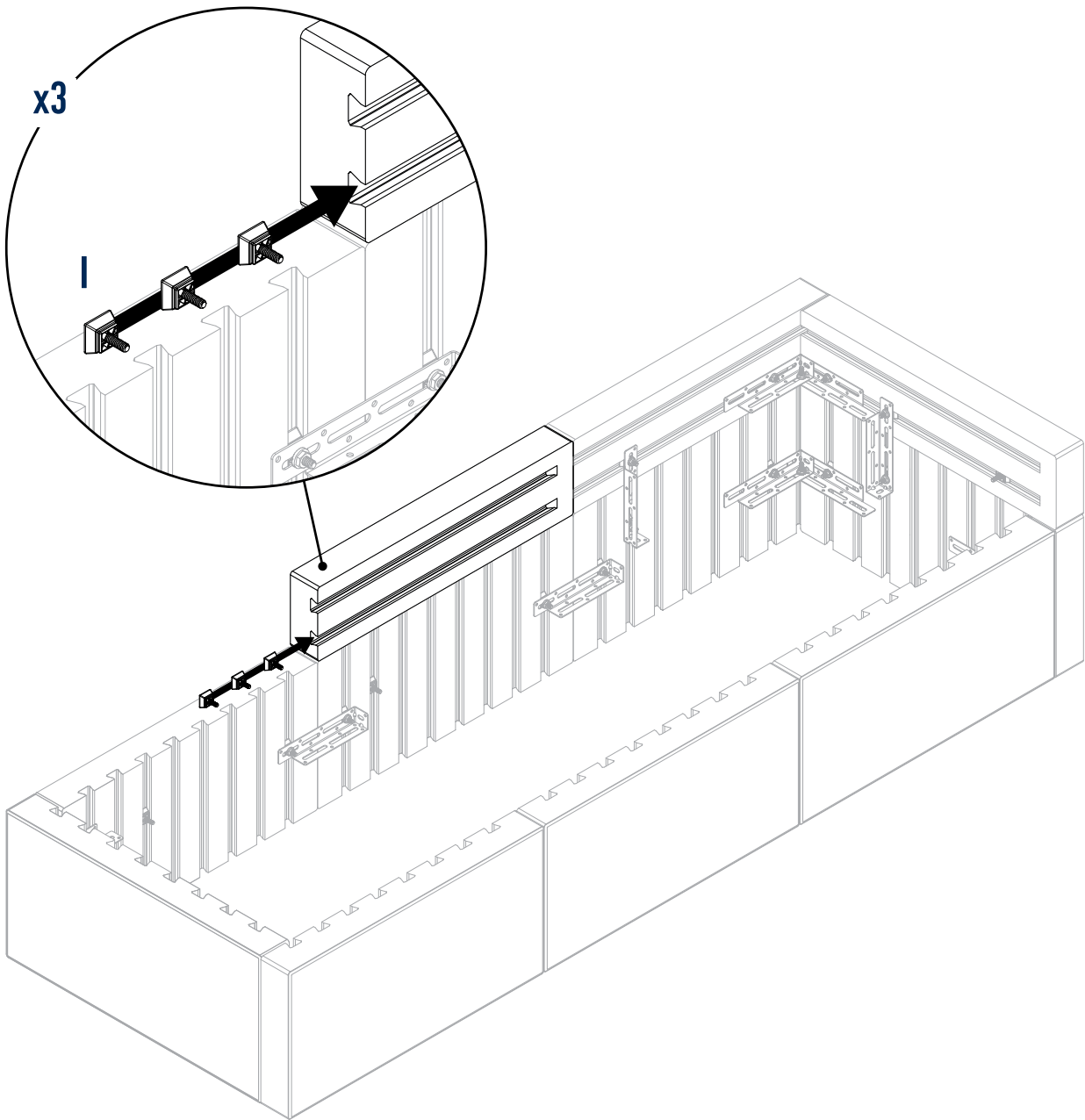




12

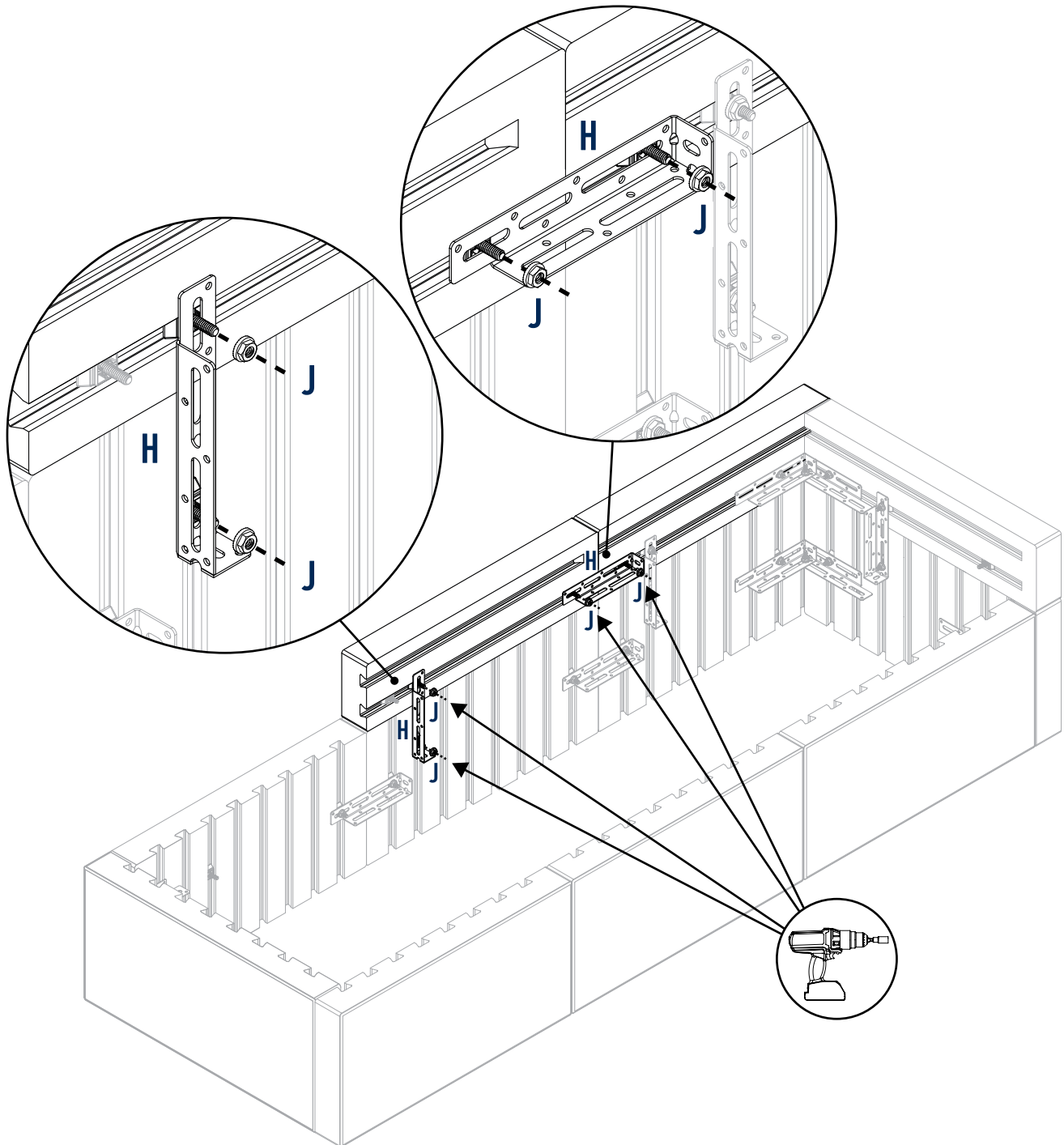


13



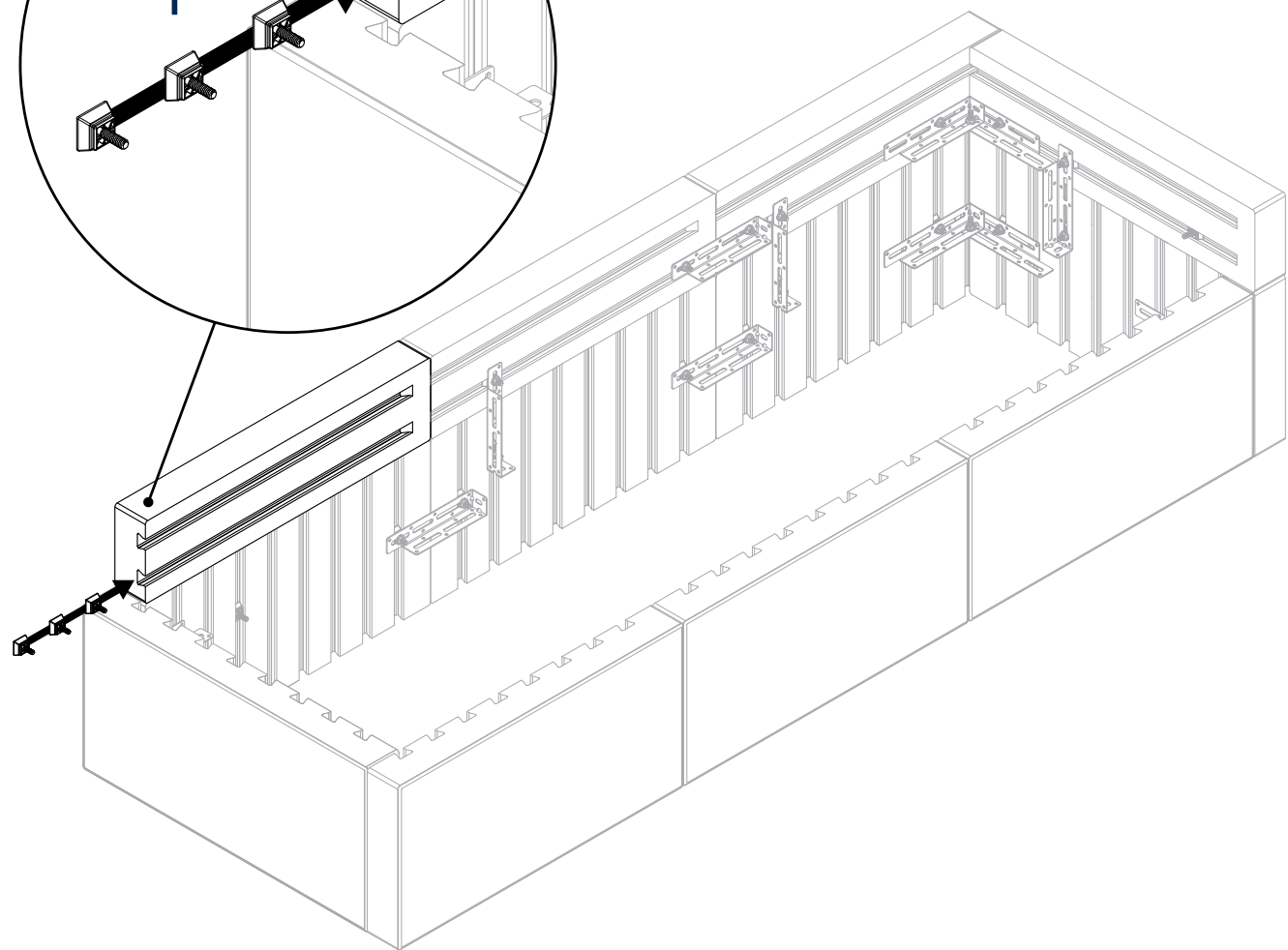
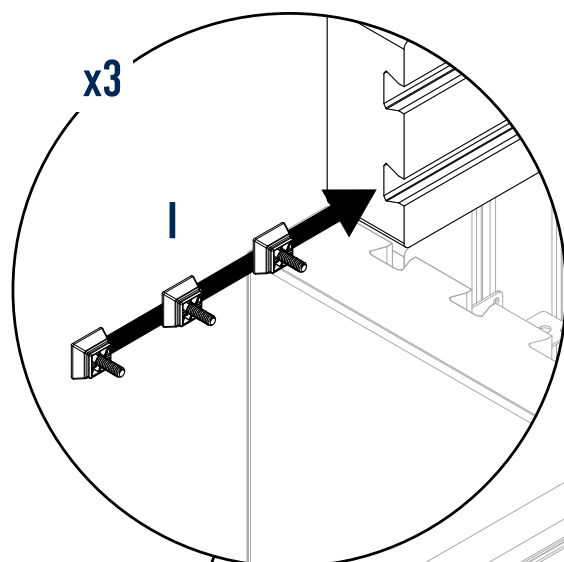


14



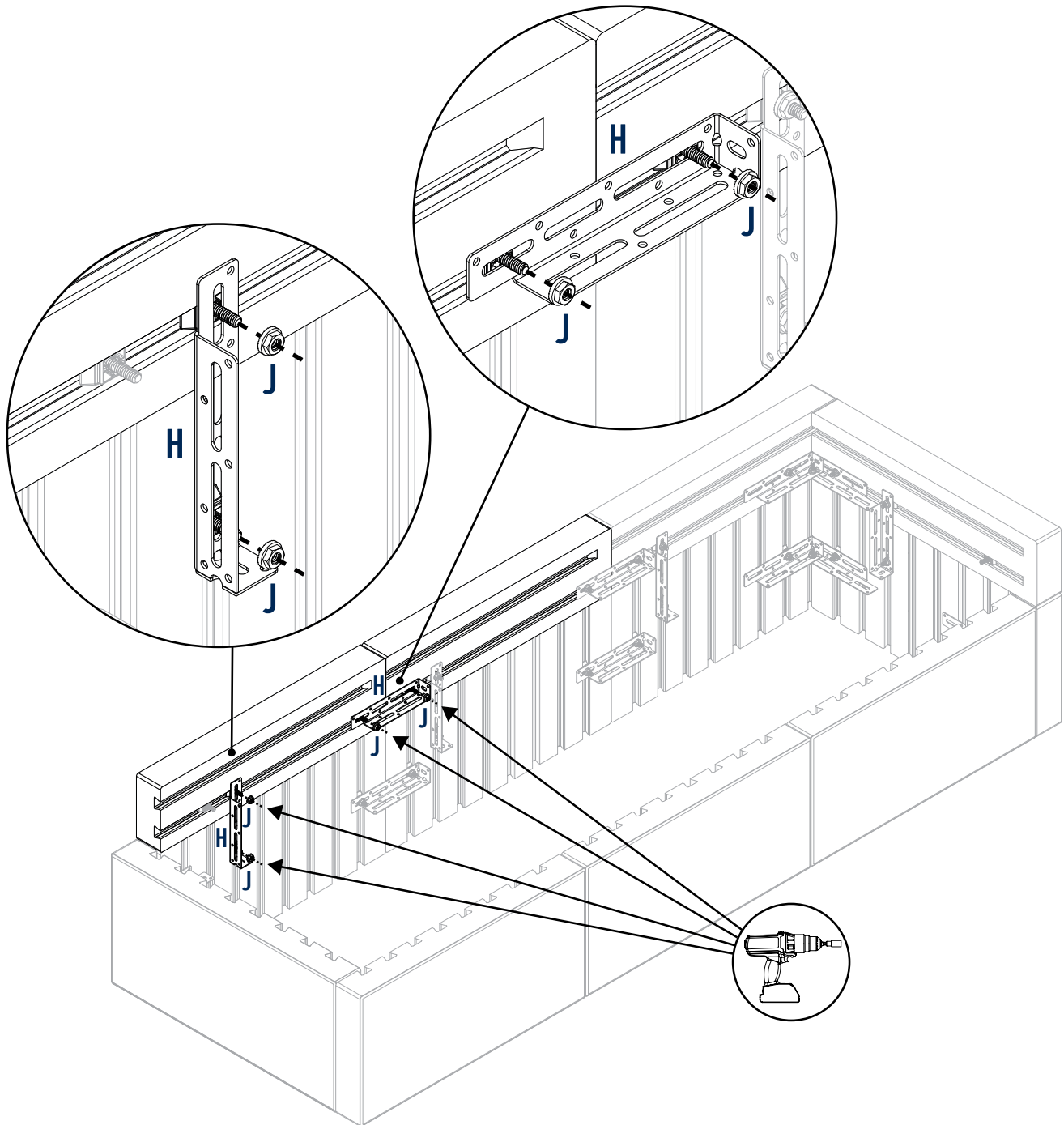


15



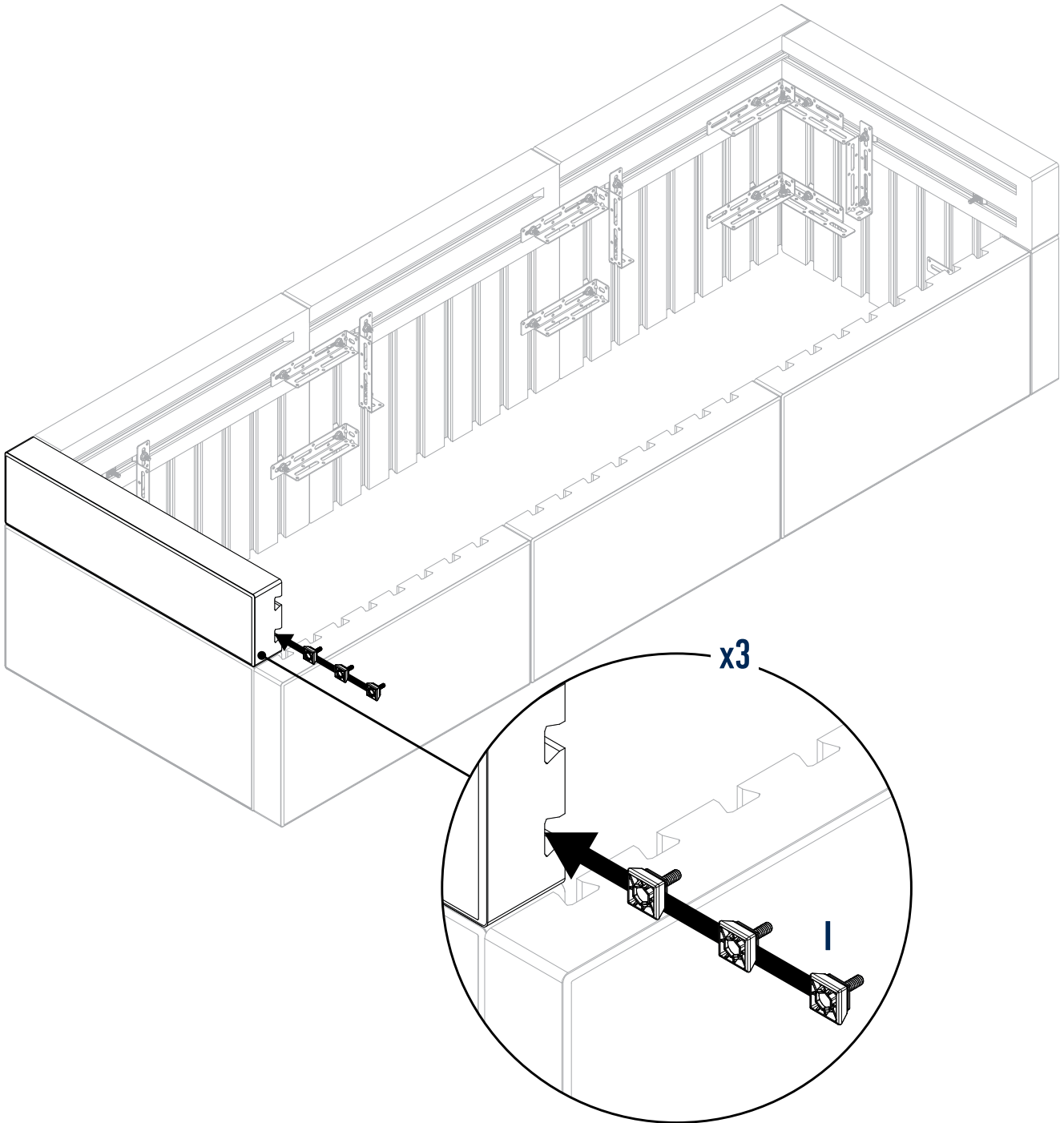


16

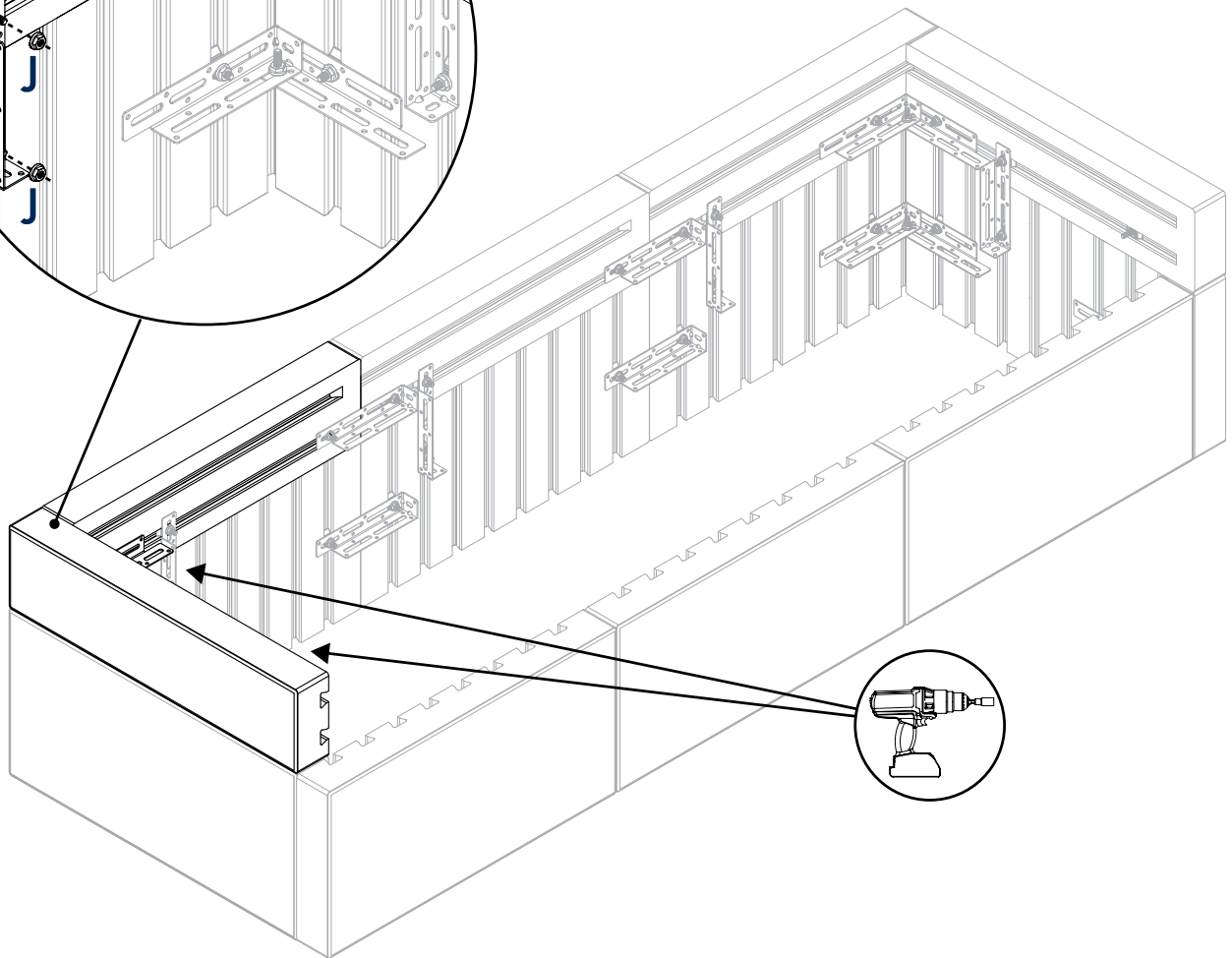
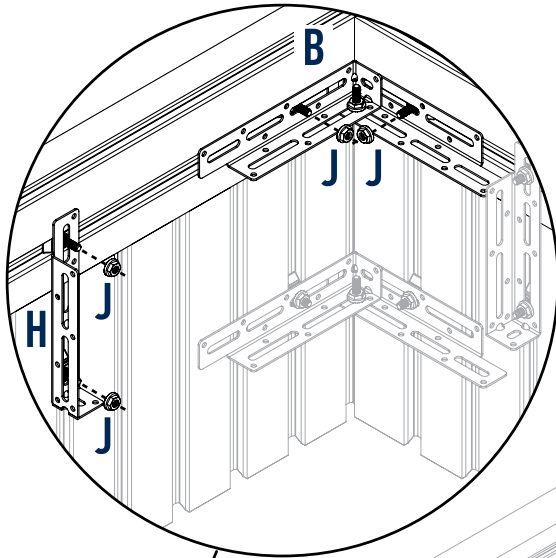




17

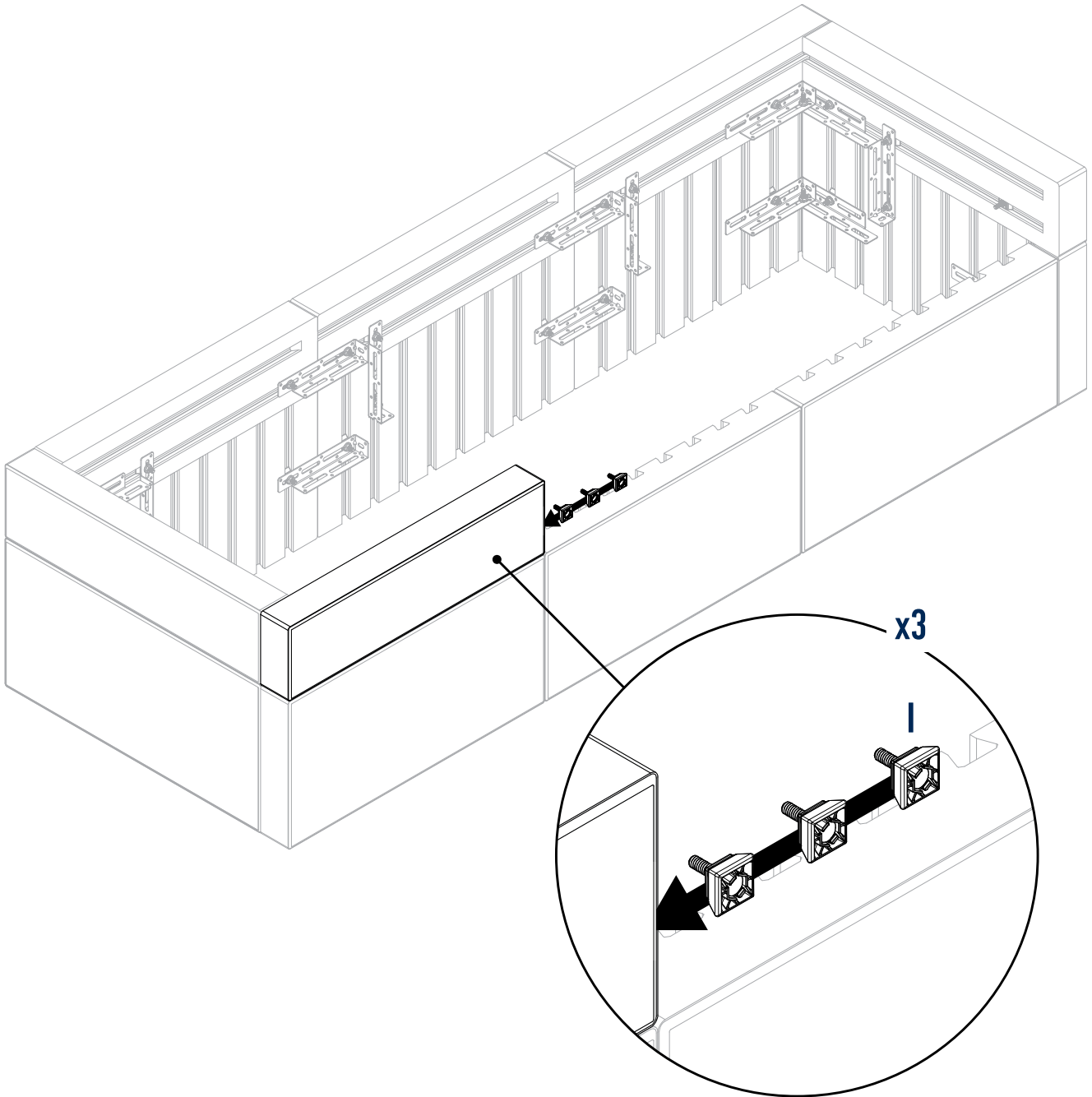


18



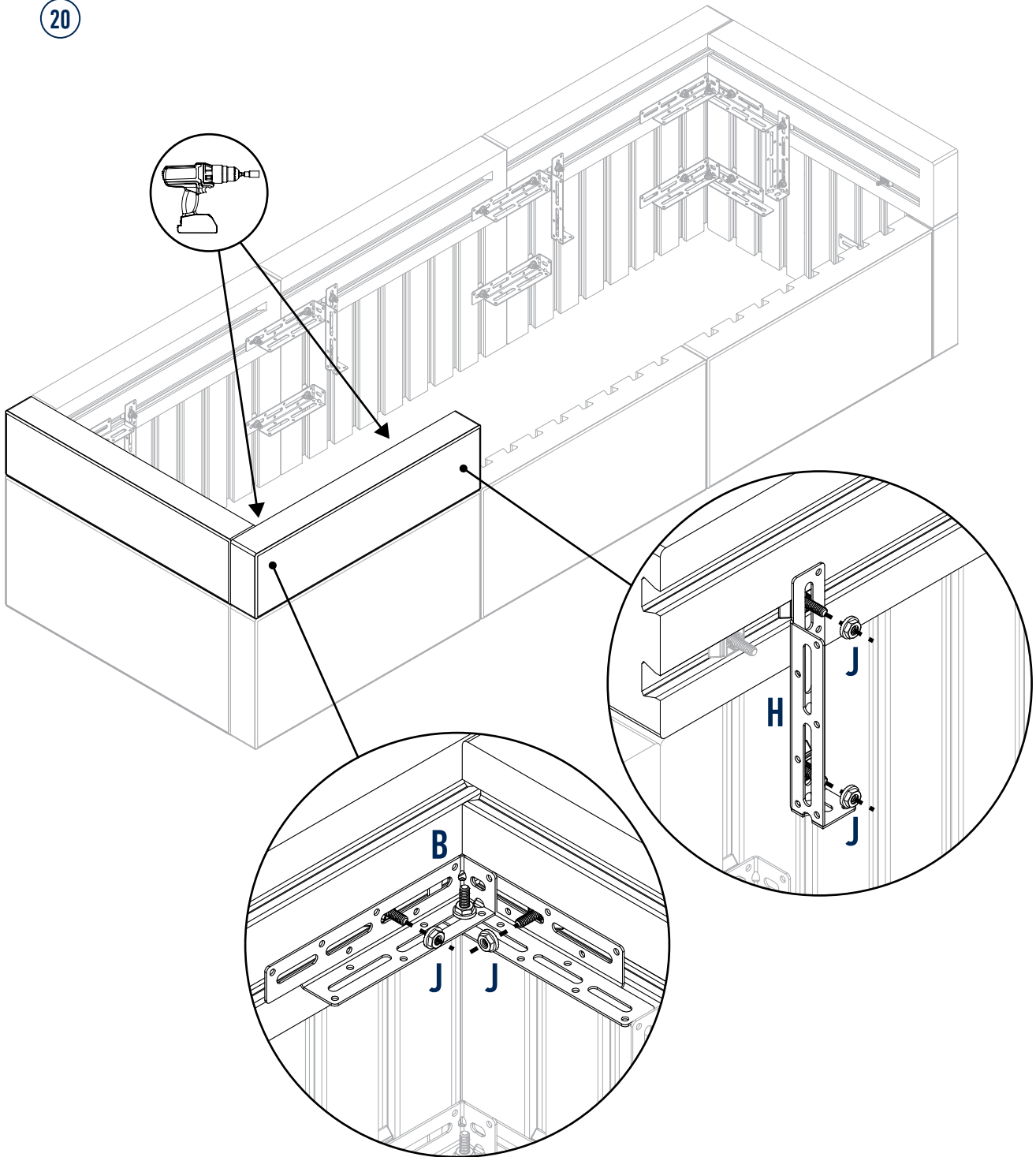


19



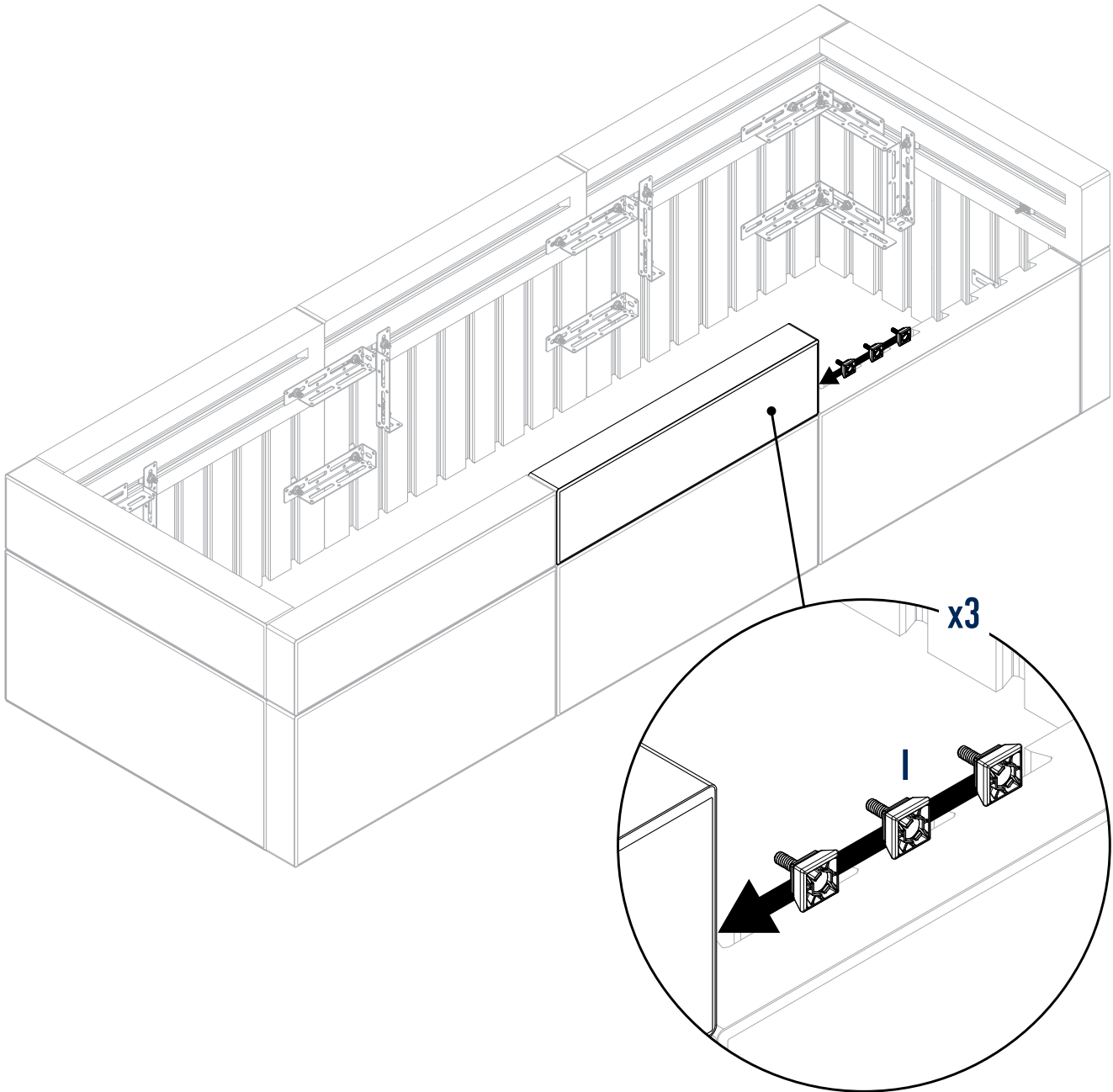


20



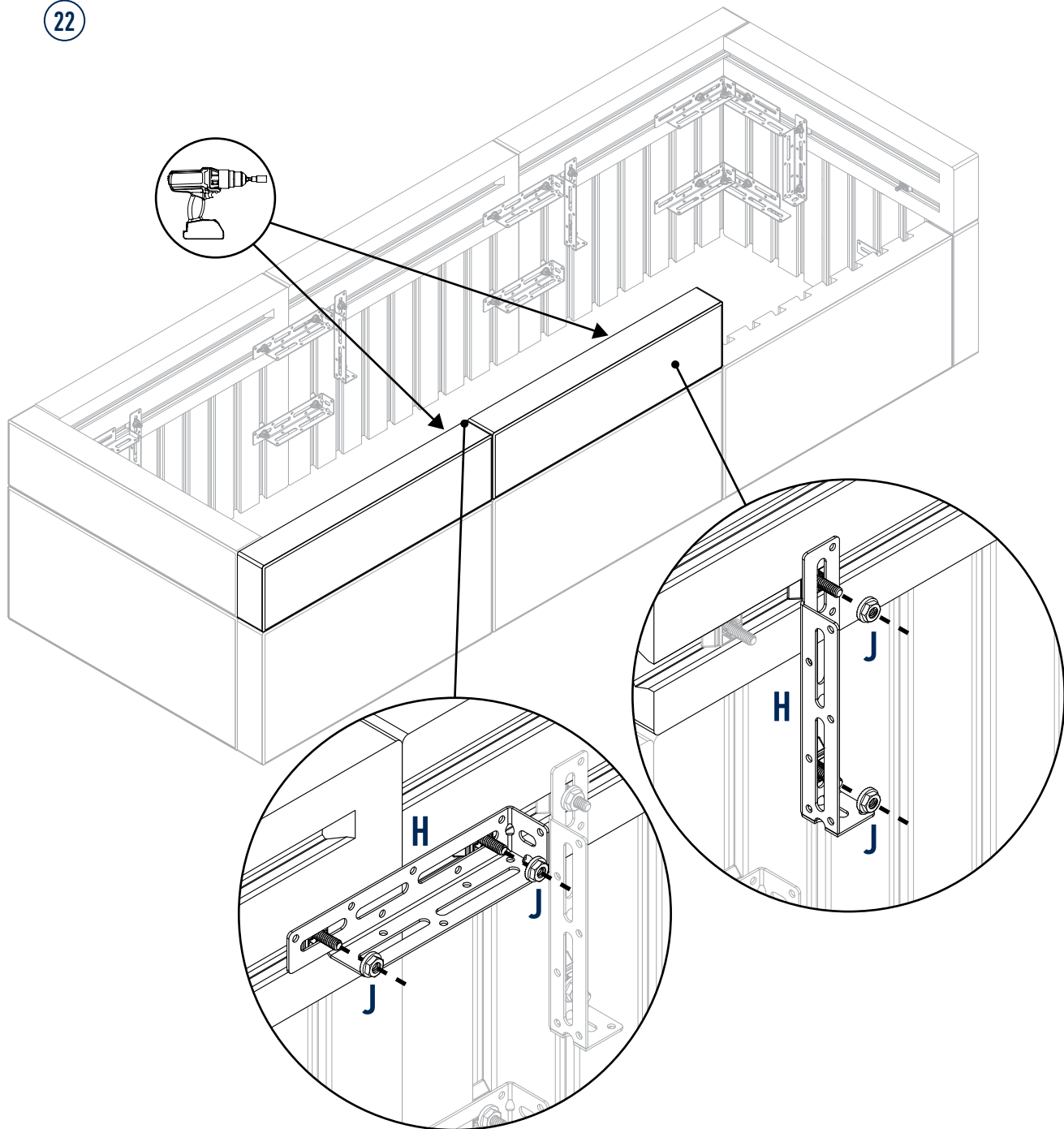


21



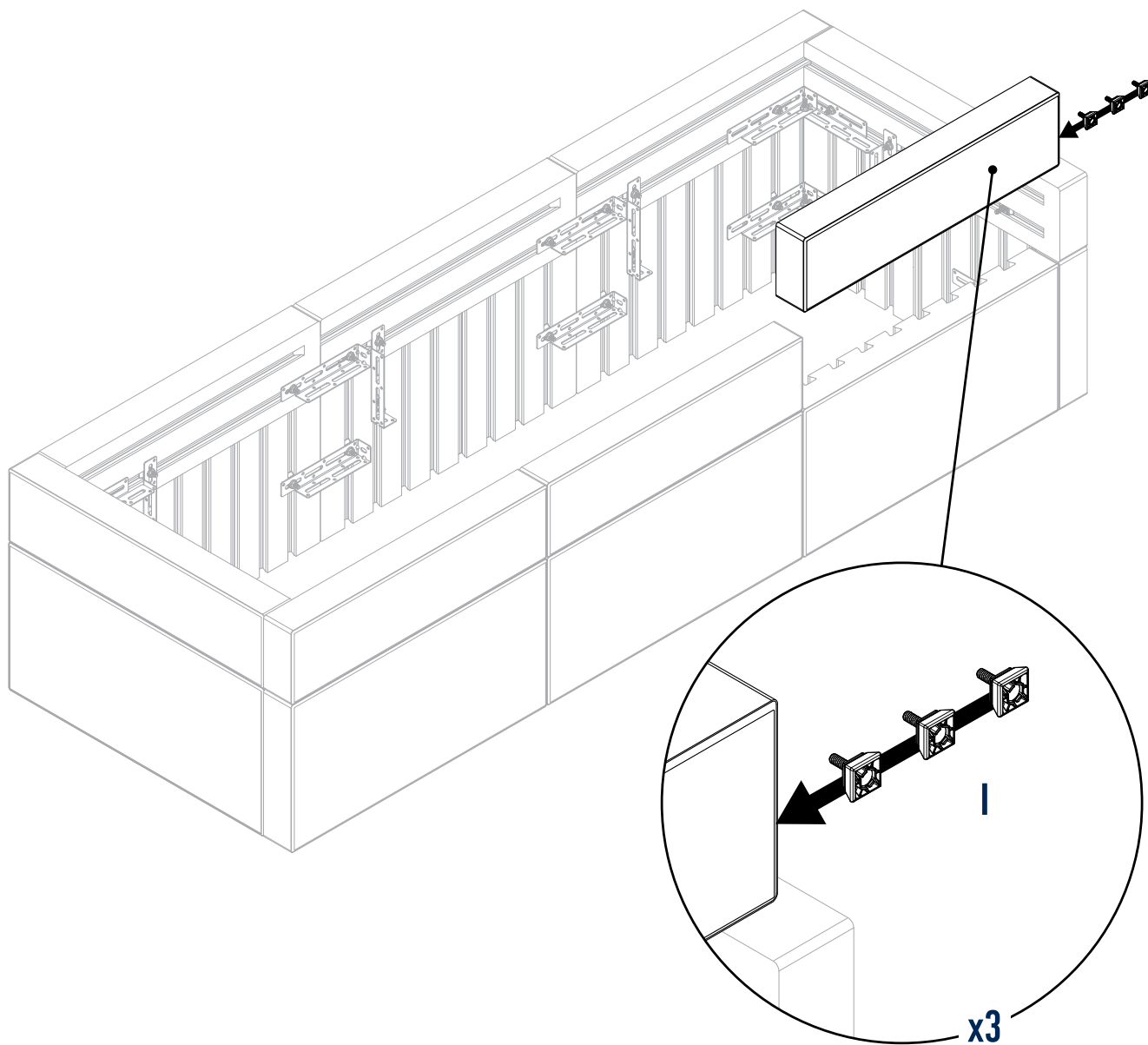


22



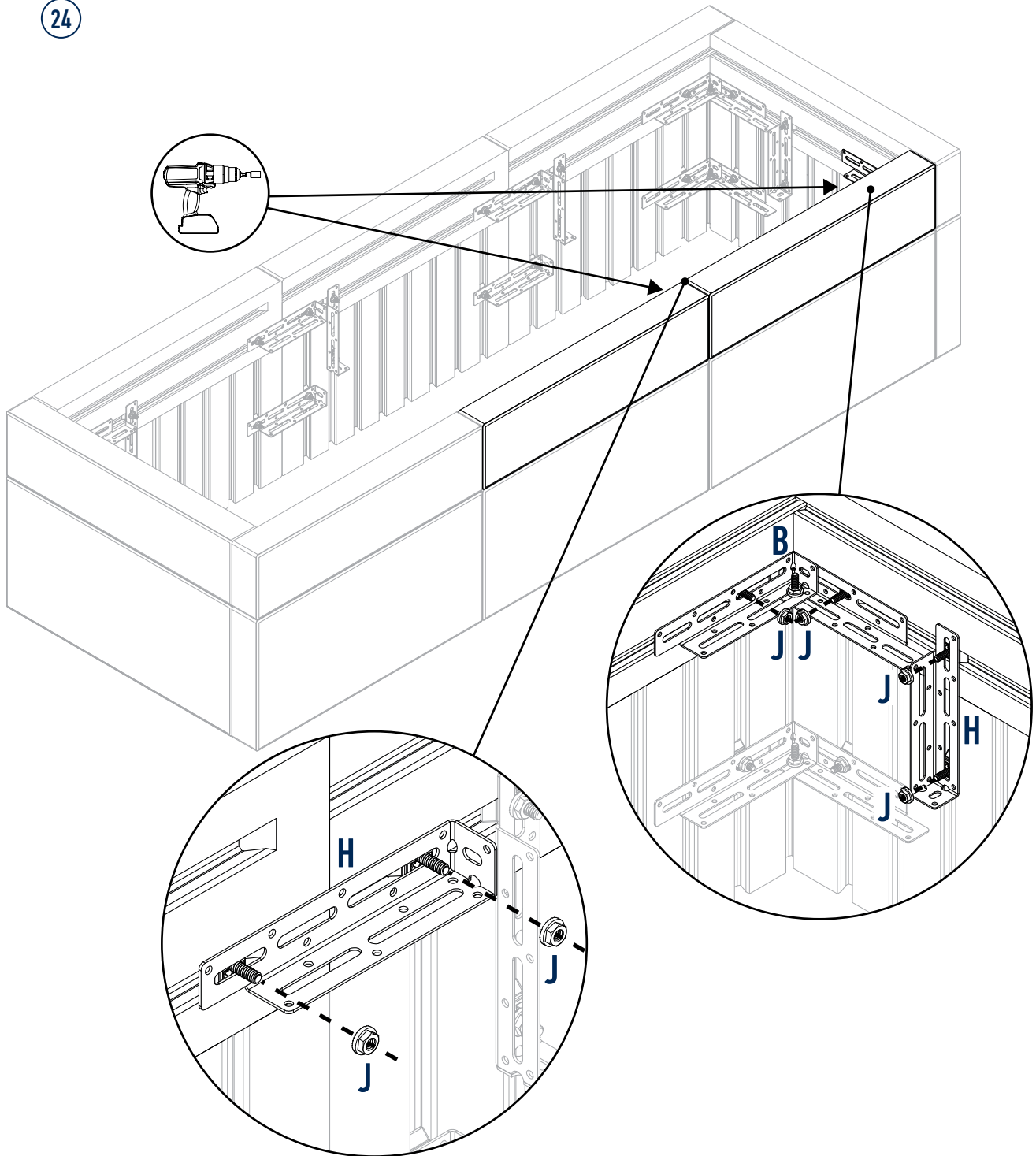


23



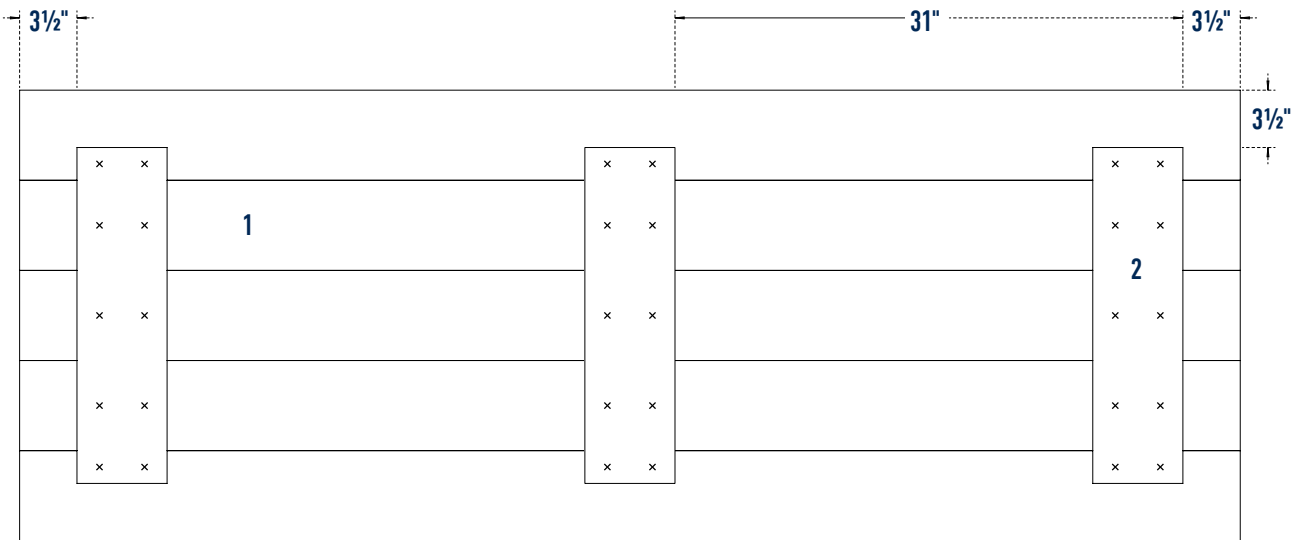


24

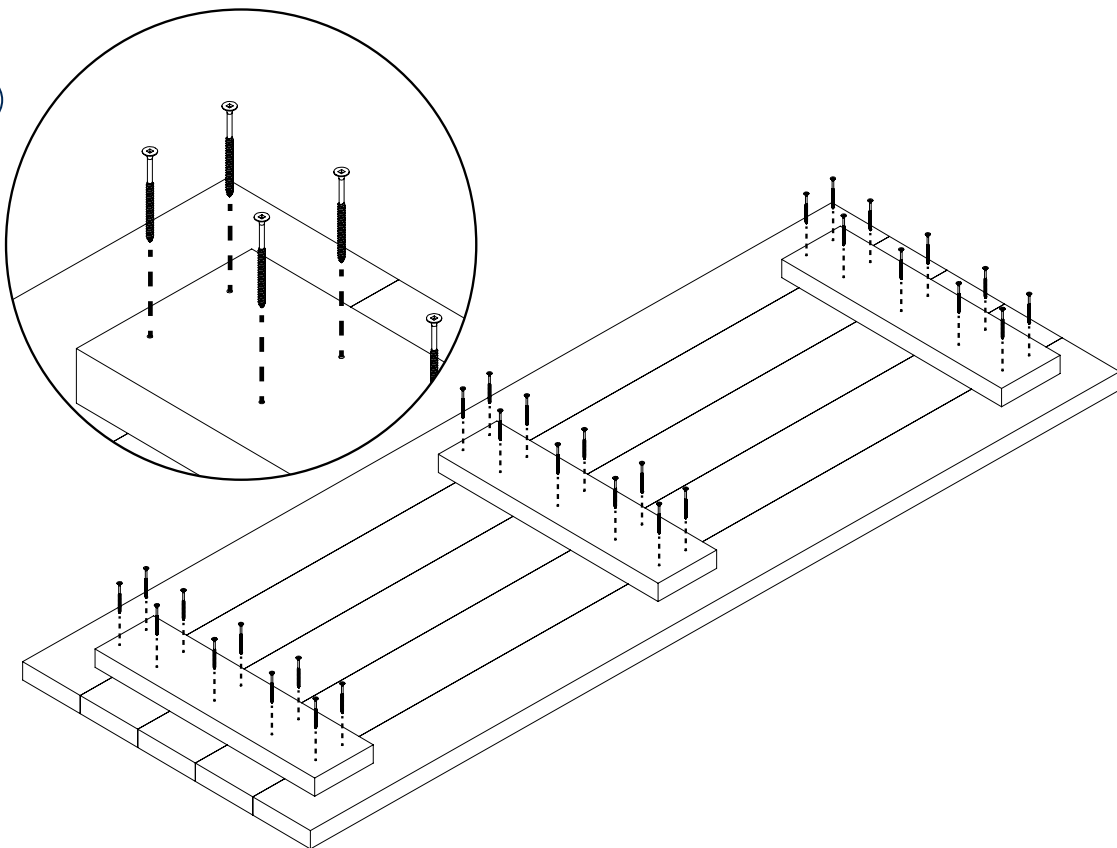




25

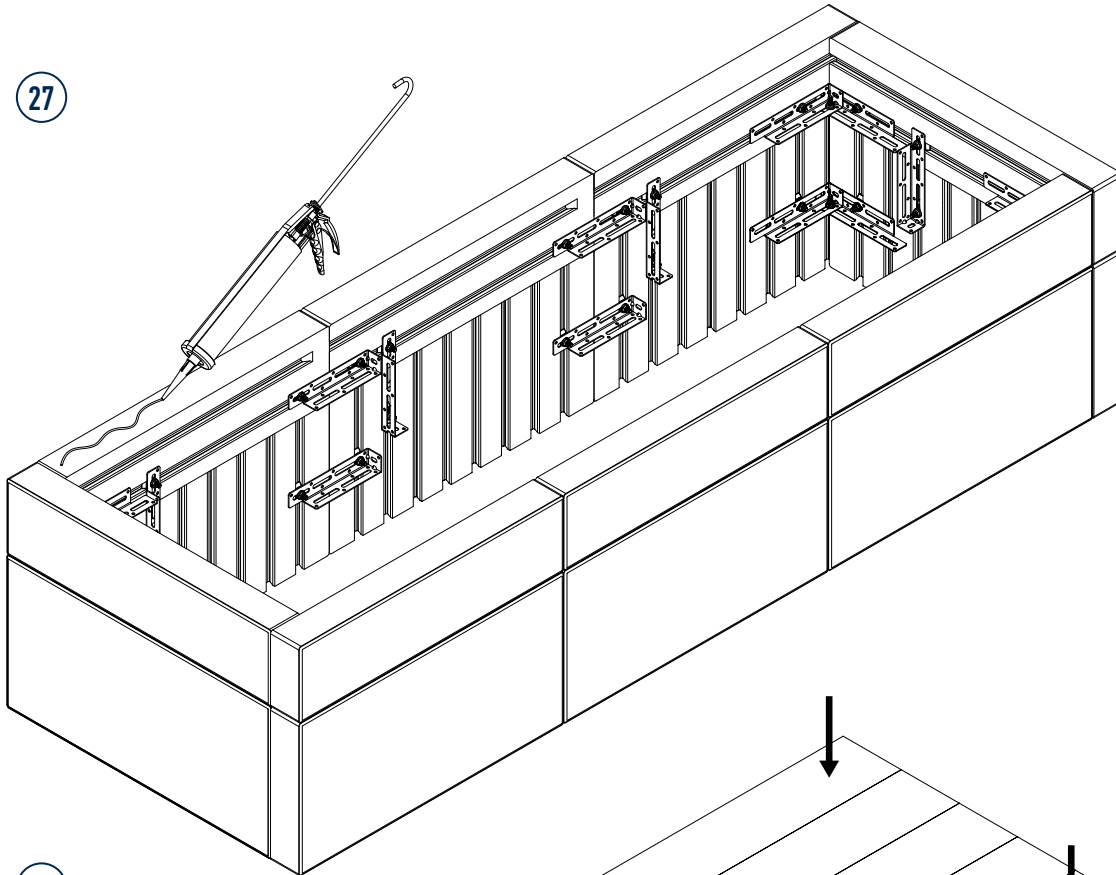


26





27



28

