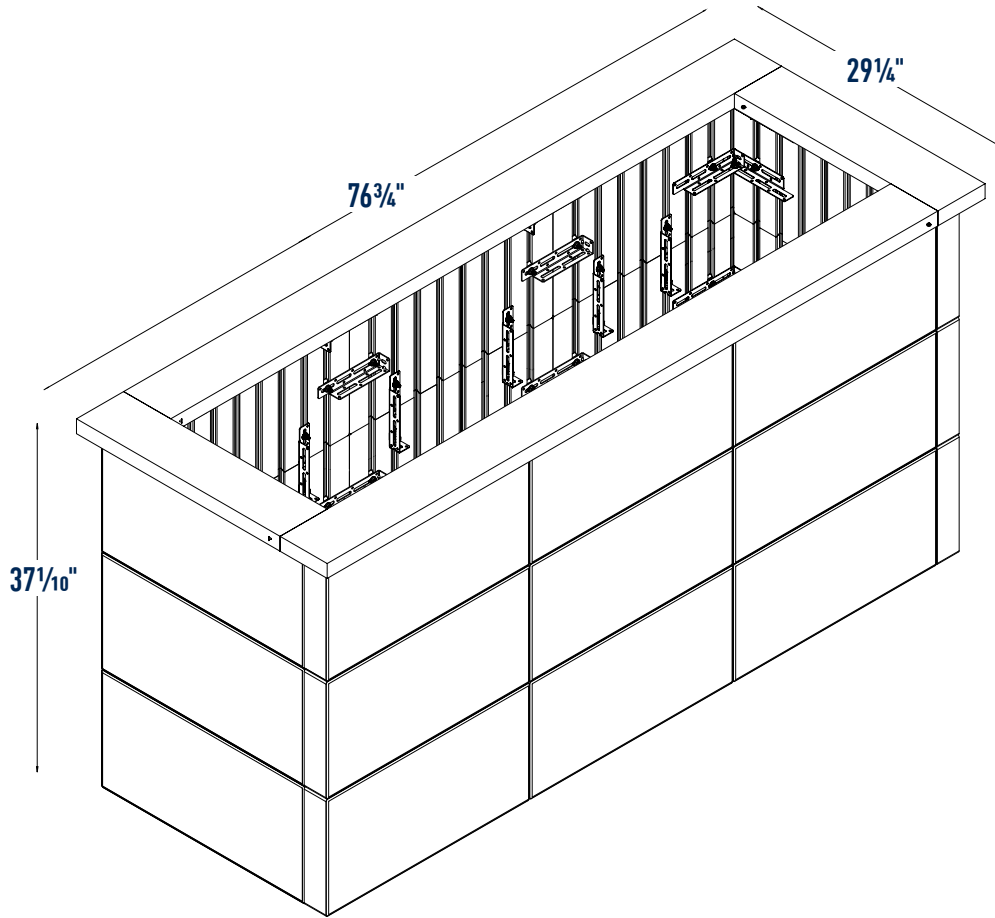




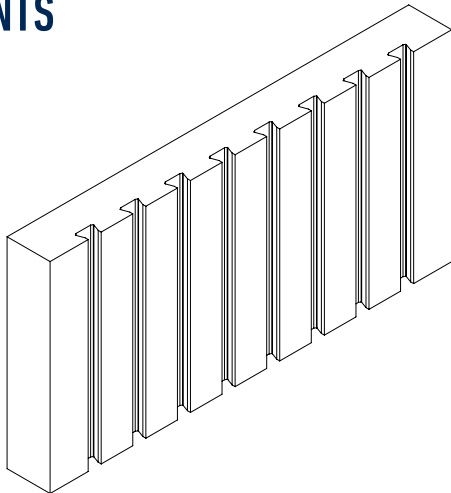
DESIGNFORMS™



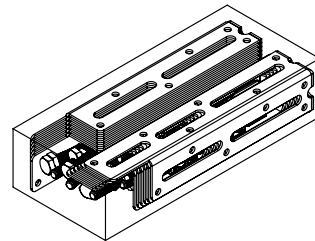
**3FT VERTICAL PLANTER
- WOOD TOP**



COMPONENTS

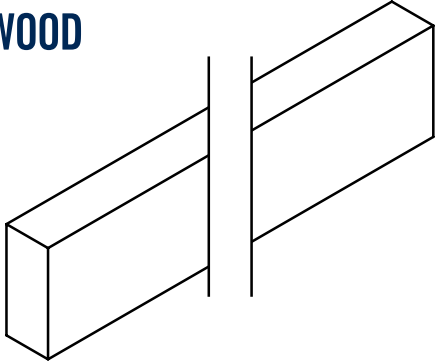
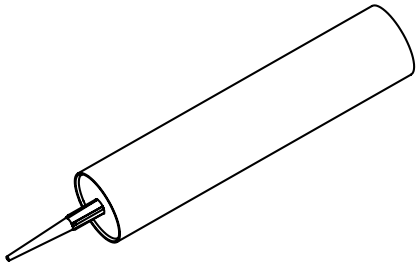
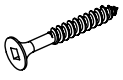







Large Panel (x24)
12" x 24"



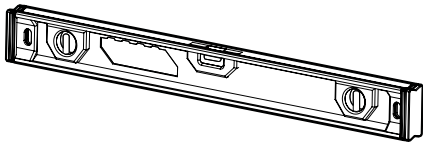
Hardware Kit (x6)

ADDITIONAL WOOD CAP COMPONENTS

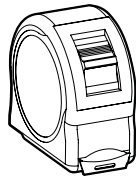
<p>2" x 6" x 8' PRESSURE TREATED WOOD</p> 	<p>x2</p>	<p>OUTDOOR SILICONE</p> 	<p>x1</p>	<p>A #8 1 1/4" DECK SCREW</p> 	<p>x16</p>
				<p>B #8 3" DECK SCREW</p> 	<p>x8</p>

WOOD CUTS		<p>1 = 71 1/4" 2 = 23 3/4"</p>
 <p>1</p>	 <p>2</p>	
 <p>1</p>	 <p>2</p>	

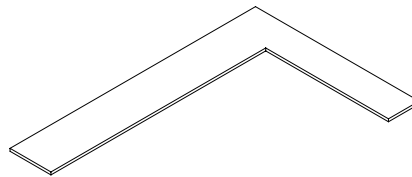
REQUIRED TOOLS



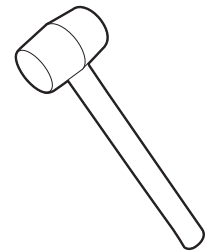
LEVEL



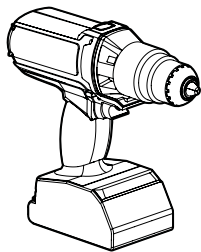
MEASURING TAPE



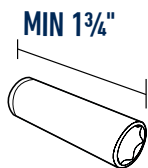
CARPENTER SQUARE



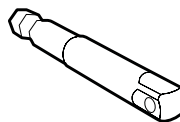
RUBBER Mallet



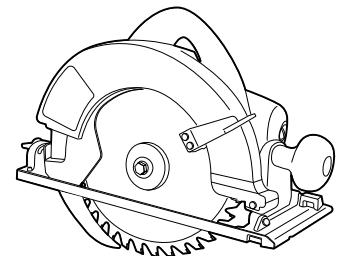
DRILL



**DEEP HEX SOCKET
7/16" WITH 1/4" DRIVE**



**SOCKET ADAPTOR
1/4" HEX SHANK TO 1/4" DRIVE**

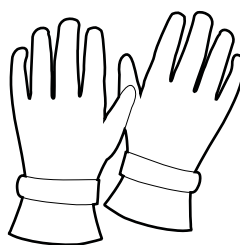


SKILL SAW

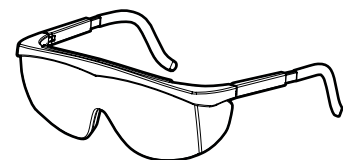
SAFETY EQUIPMENT



SAFETY BOOTS



GLOVES

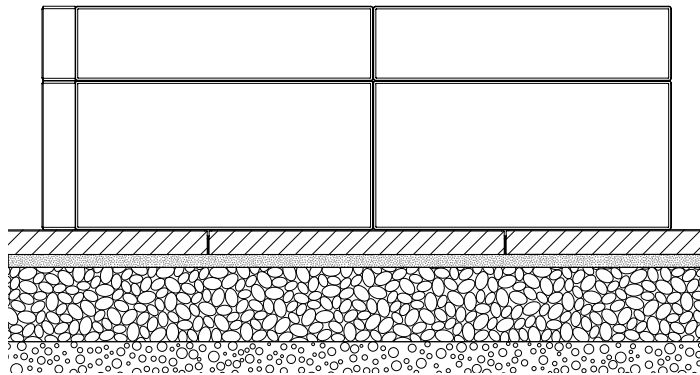


SAFETY GLASSES

BASE PREPARATION

ALWAYS LEVEL GROUND BEFORE INSTALLATION

ON NEW OR EXISTING PATIO



SLAB OR PAVER



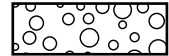
BEDDING SAND 1"



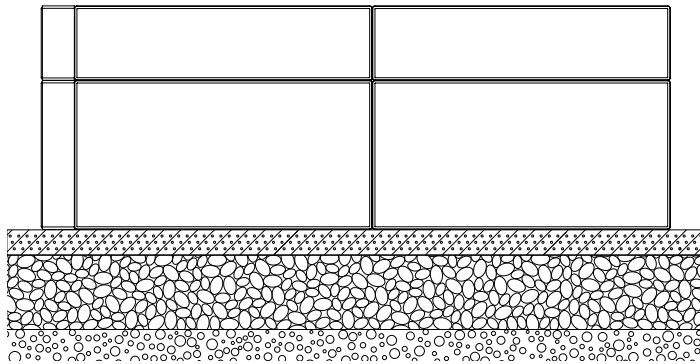
COMPACTED AGGREGATES 6" - 8"



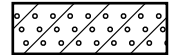
SOIL



ON POURED CONCRETE



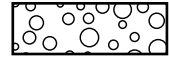
REINFORCED POURED CONCRETE FOUNDATION 2"



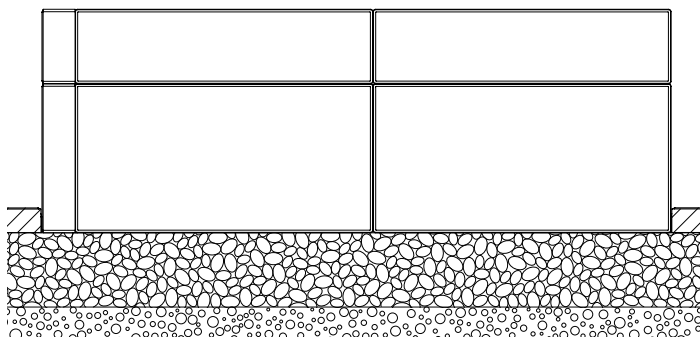
COMPACTED AGGREGATES 6" - 8"



SOIL



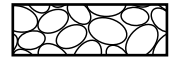
ON COMPACTED FOUNDATION



SLAB OR PAVER



COMPACTED AGGREGATES 6" - 8"



SOIL



TIPS & TRICKS

READ ALL INSTRUCTIONS BEFORE ASSEMBLY

PREBUILD:

- Prebuild all hardware prior to starting build.
- When assembling hardware SNAP the bolt into place with the plastic sliders. Pressing down on something flat and hard will help. (Fig. A)
- Do not over hand tighten the slider/bolt piece and the nut on the completed brackets. They should be loosely attached so they slide into the channels on the panels. Leave a space of ¼ in. (Fig. B)

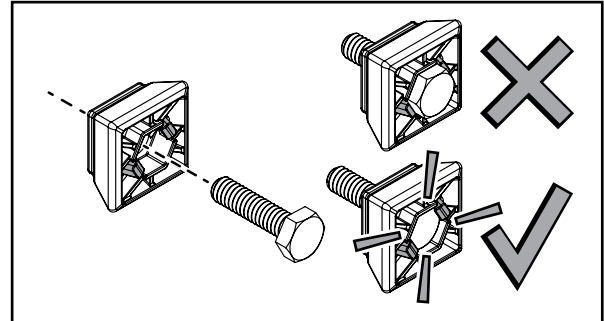


Fig. A

INSTALL:

- Always start in the corner when starting a build. (Fig. C)
- Set the drill clutch (torque) at a low level to deliver a torque range of 50-65lbs per inch. Refer to your drill manual for torque adjustment instructions.
- Use a rubber mallet to assist with moving/aligning/adjusting panel placement during assembly.

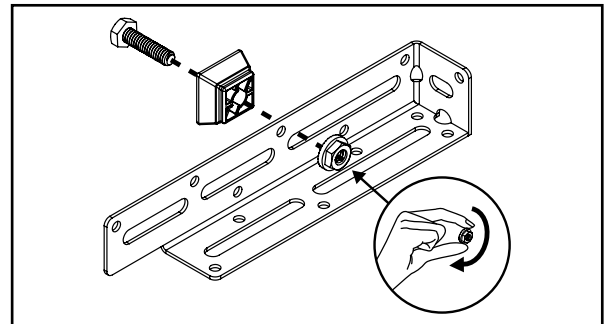


Fig. B

WHEN BUILDING WOODEN COMPONENTS:

- Do not exceed prescribed length. Exact measurements are required for proper assembly.
- Ensure your cuts are straight.
- Do not over tighten the screws into the wood - this can cause buckling.
- Pre-drill holes for 45° corner assemblies.
- Use cedar or pressure treated wood for outdoor use.
- Seal wooden components for prolonged use.

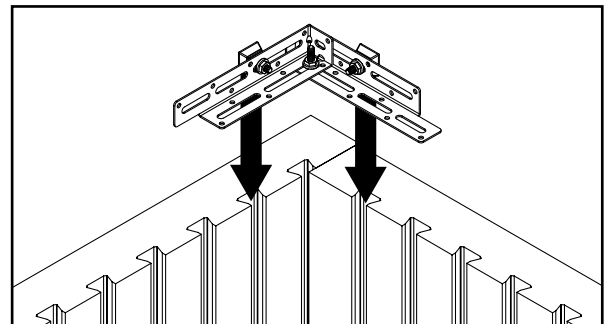
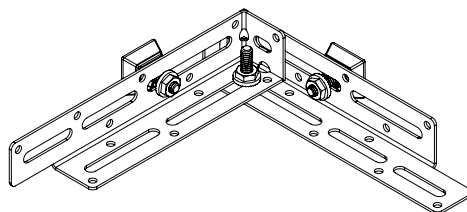

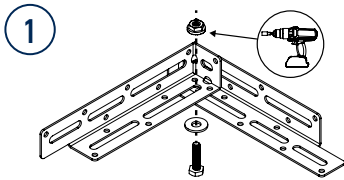
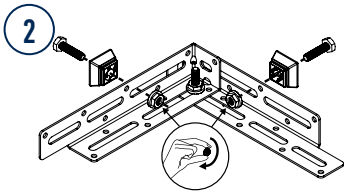
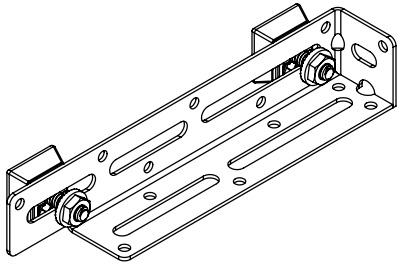
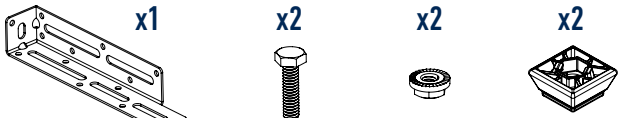
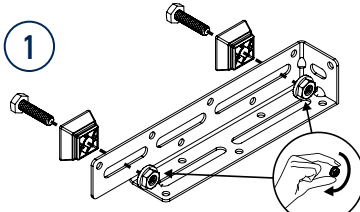
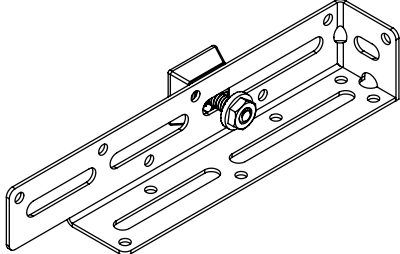
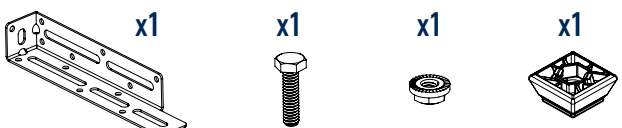
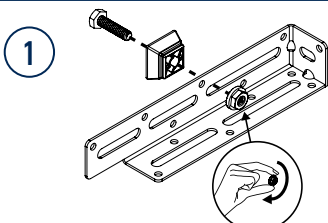


Fig. C

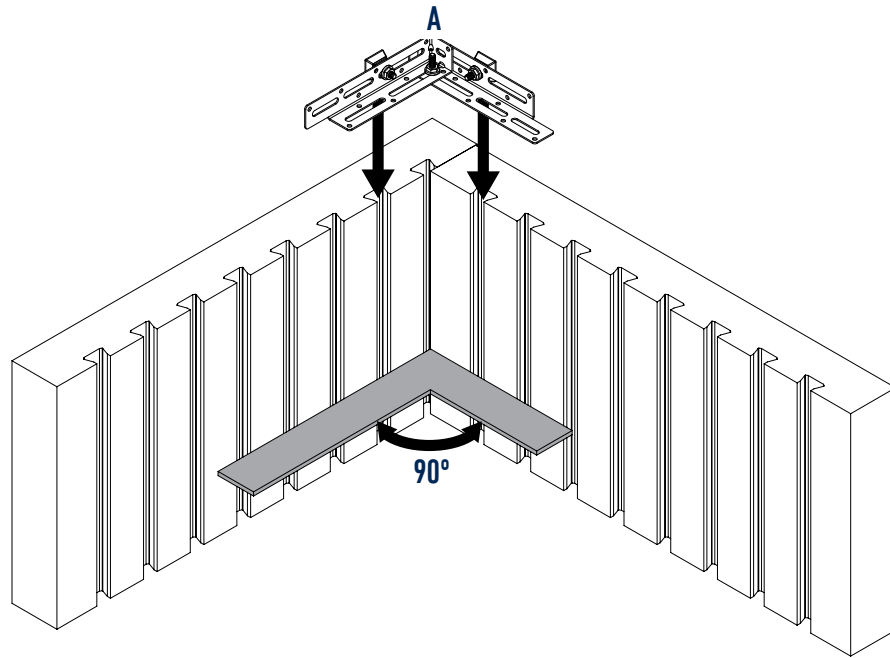
WHEN BUILDING PLANTERS:

- Line the inside of the planters or garden beds with a geotextile fabric to help with water management.

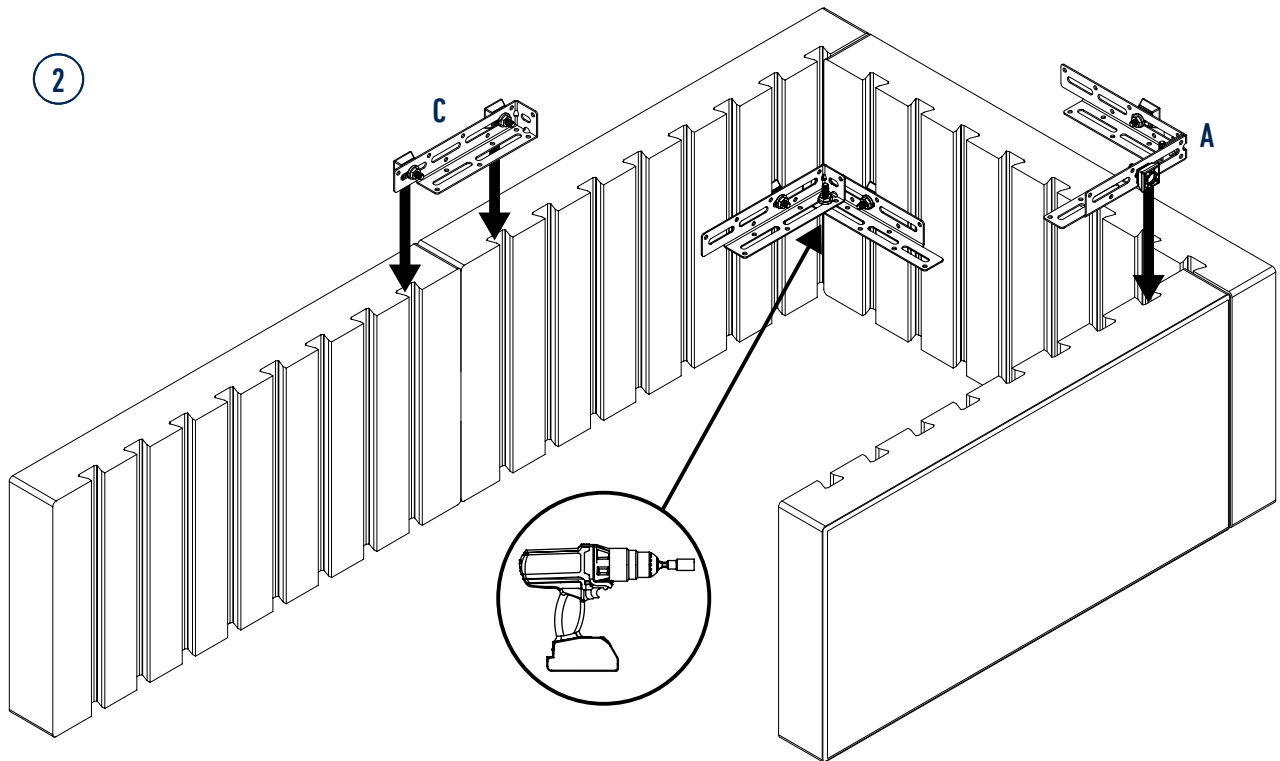
<p>BRACKET A</p> 	<p>x12</p> <p>x2 x3 x1 x3 x2</p>  <p>1</p>  <p>2</p> 
<p>BRACKET C</p> 	<p>x44</p> <p>x1 x2 x2 x2</p>  <p>1</p> 
<p>BRACKET D</p> 	<p>x4</p> <p>x1 x1 x1 x1</p>  <p>1</p> 



1

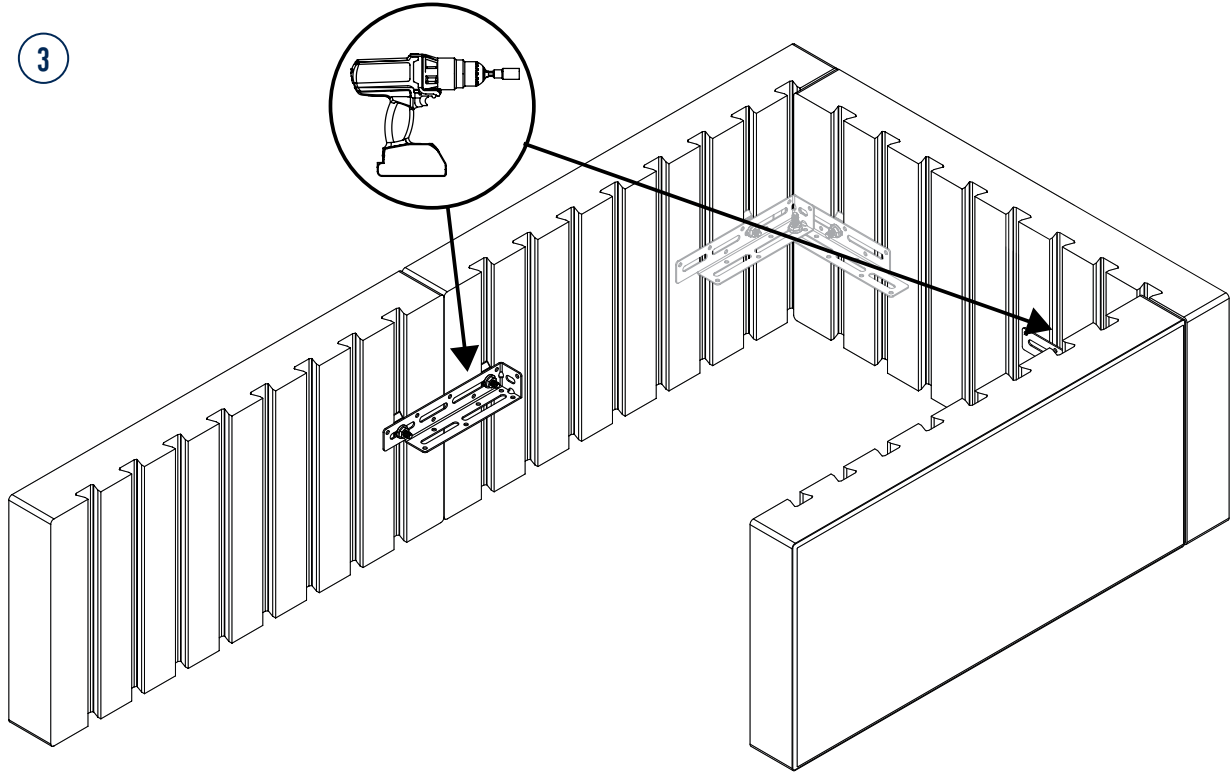


2

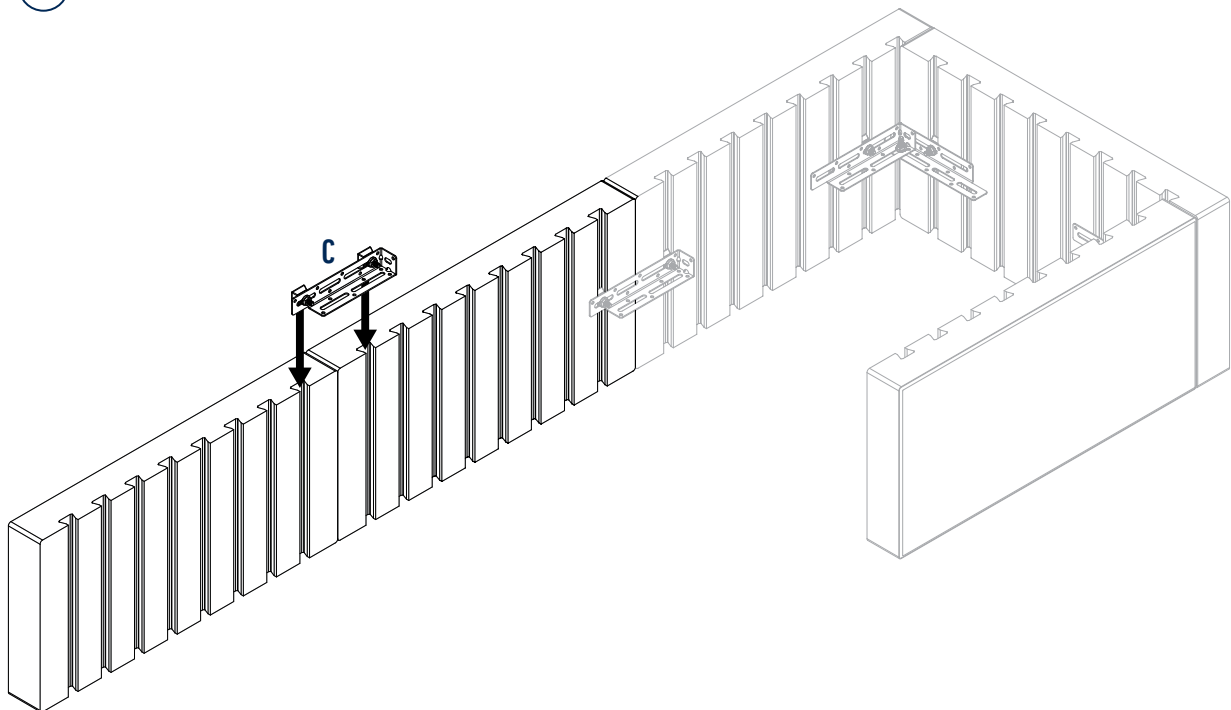




3

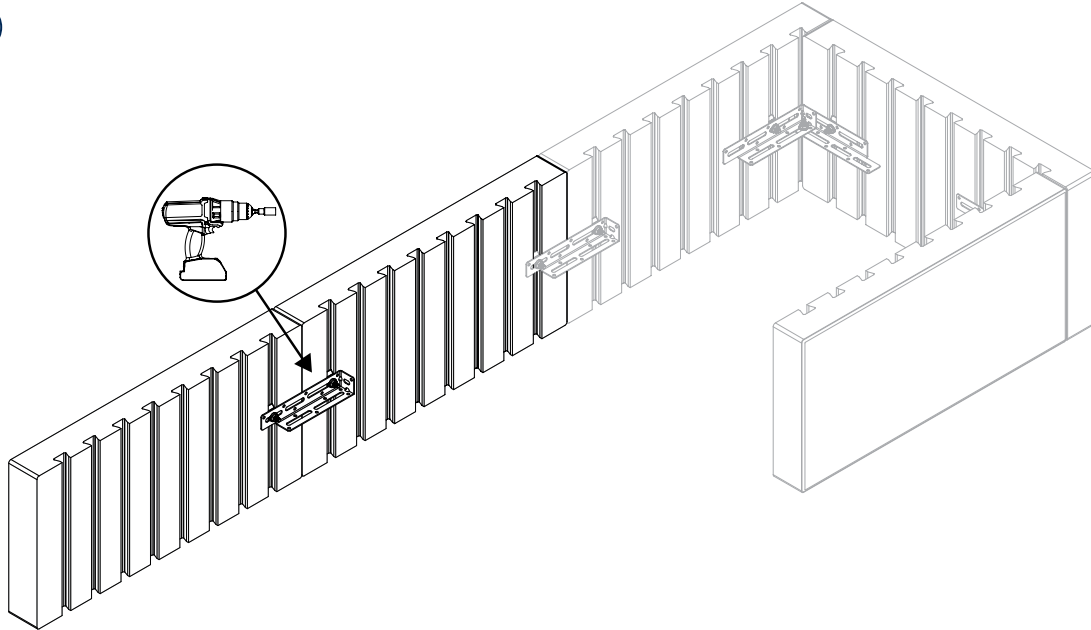


4

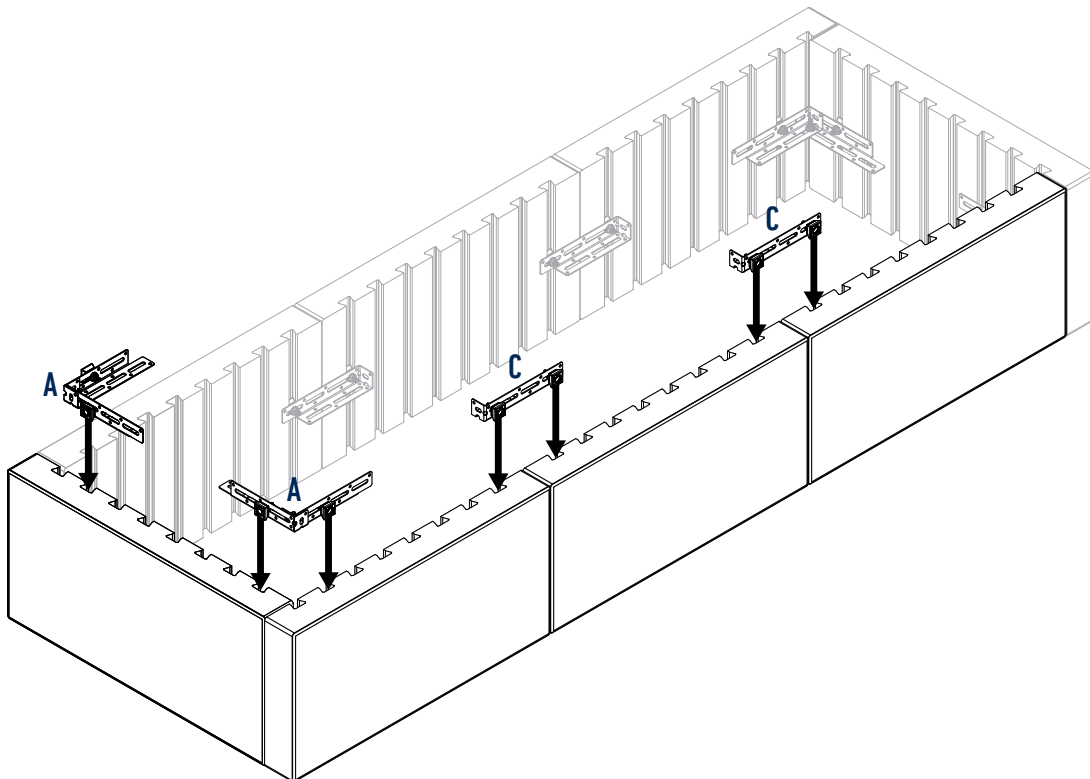




5

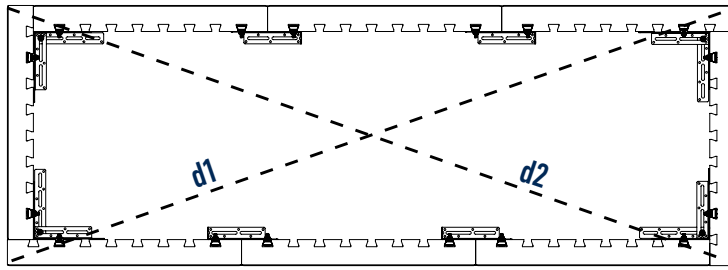


6

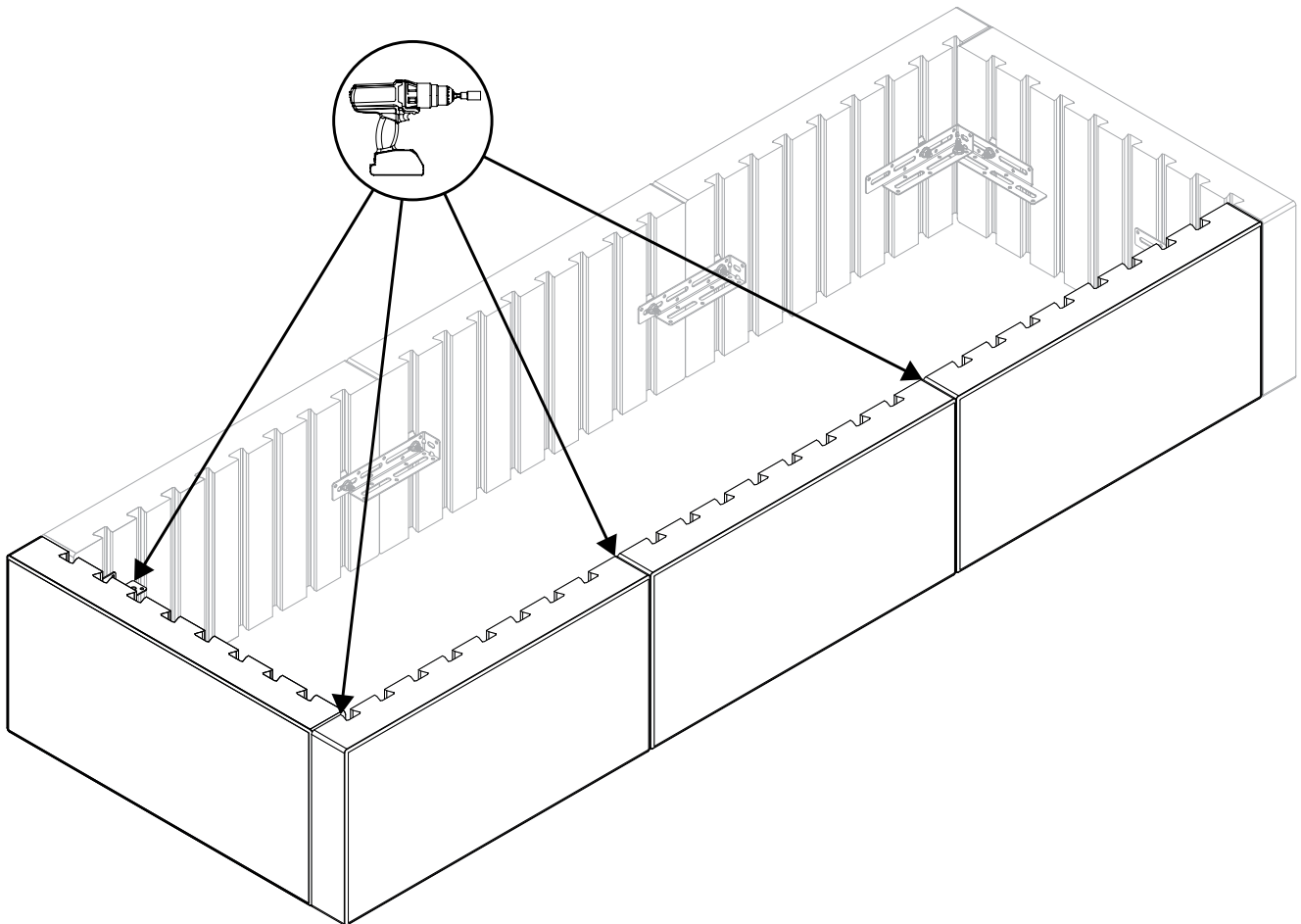




7

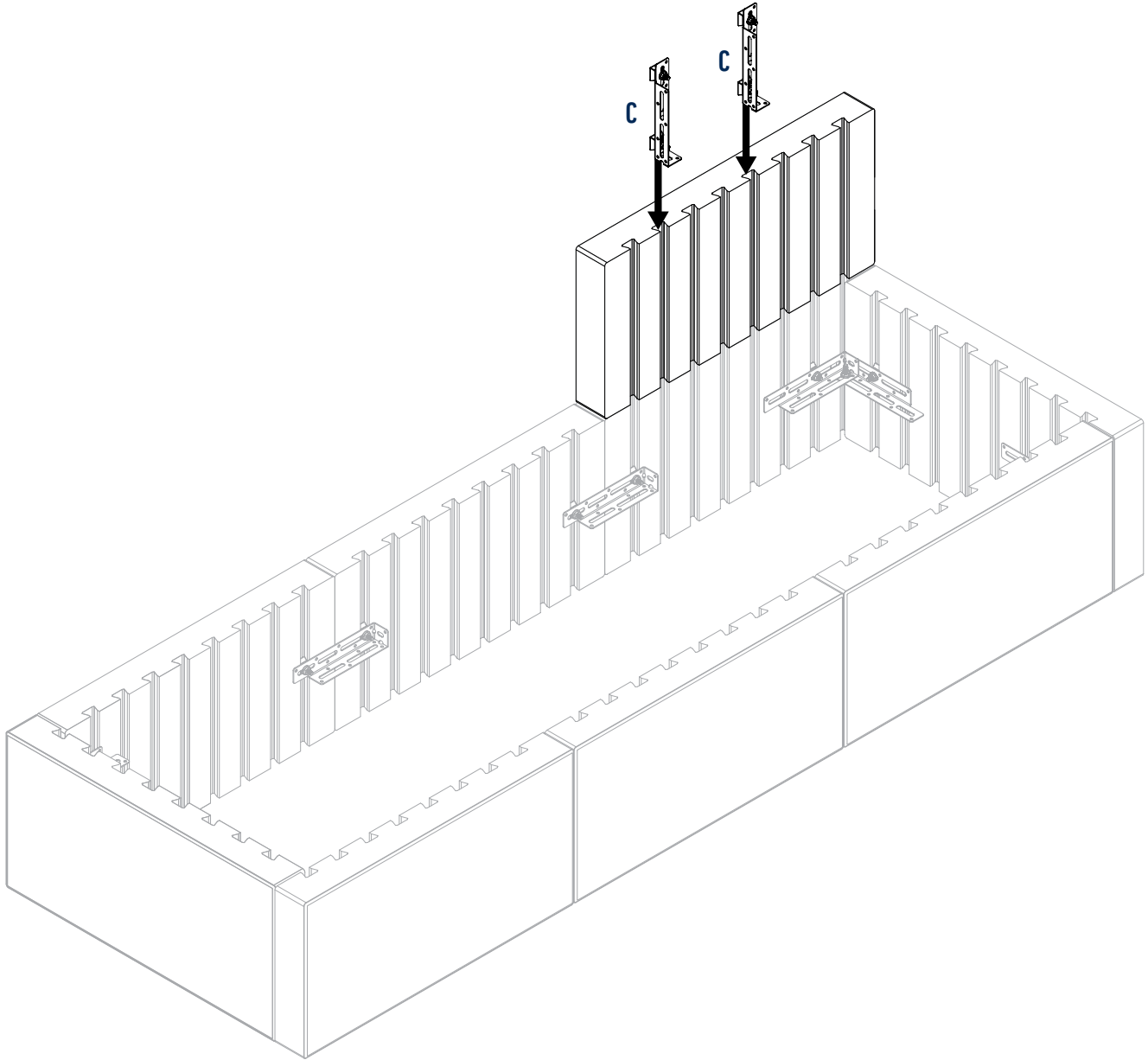


$d1 = d2$



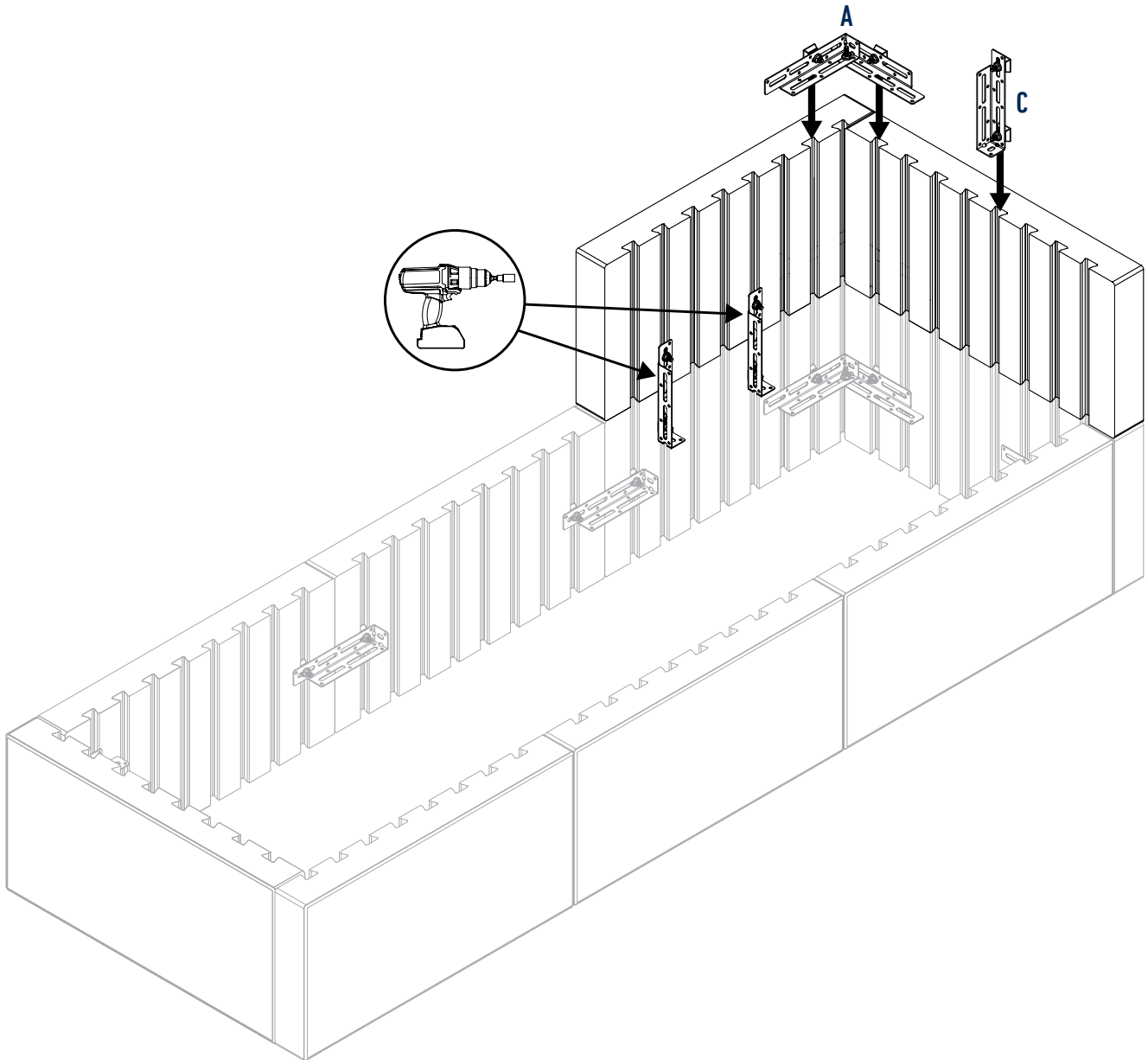


8



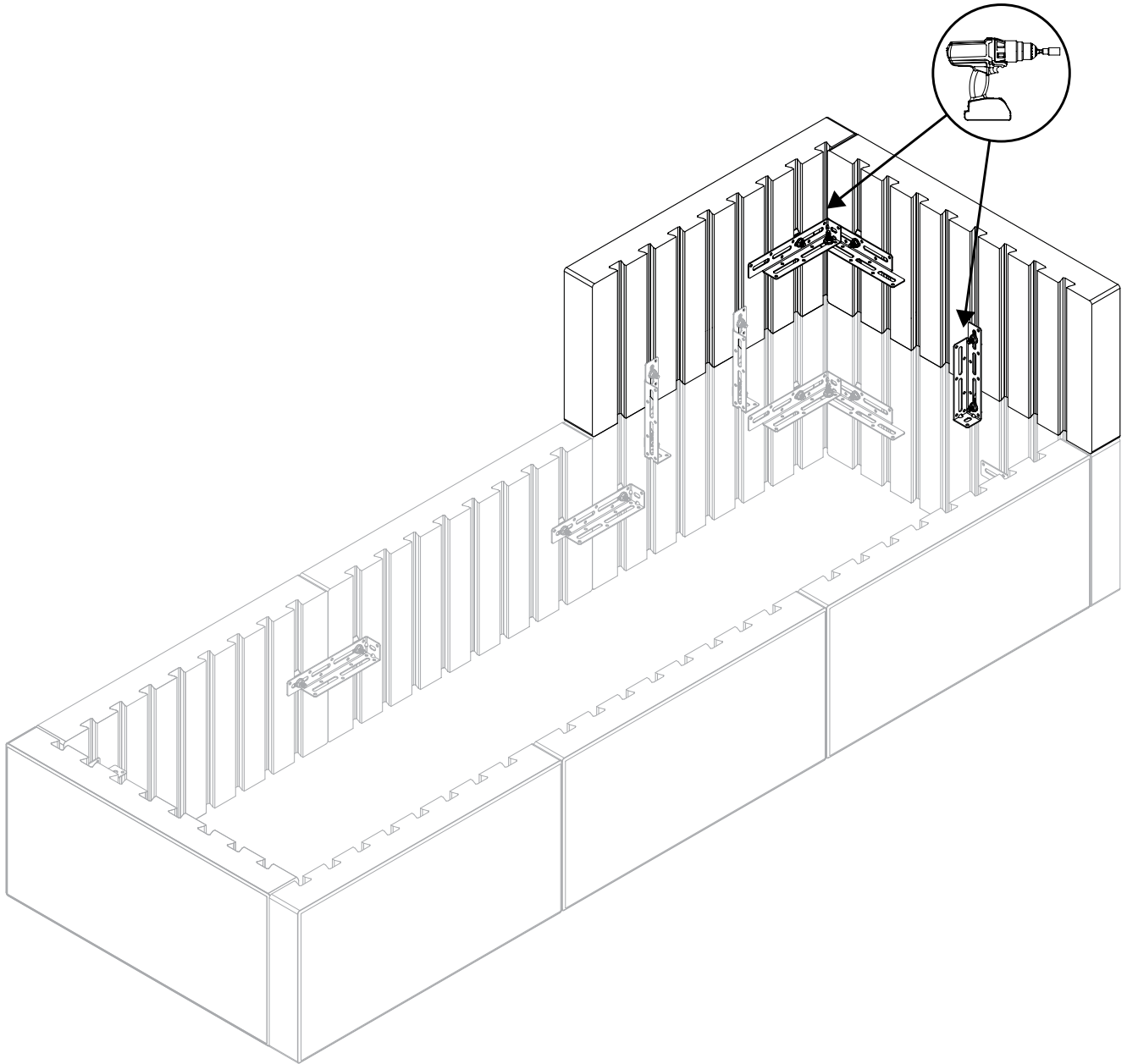


9



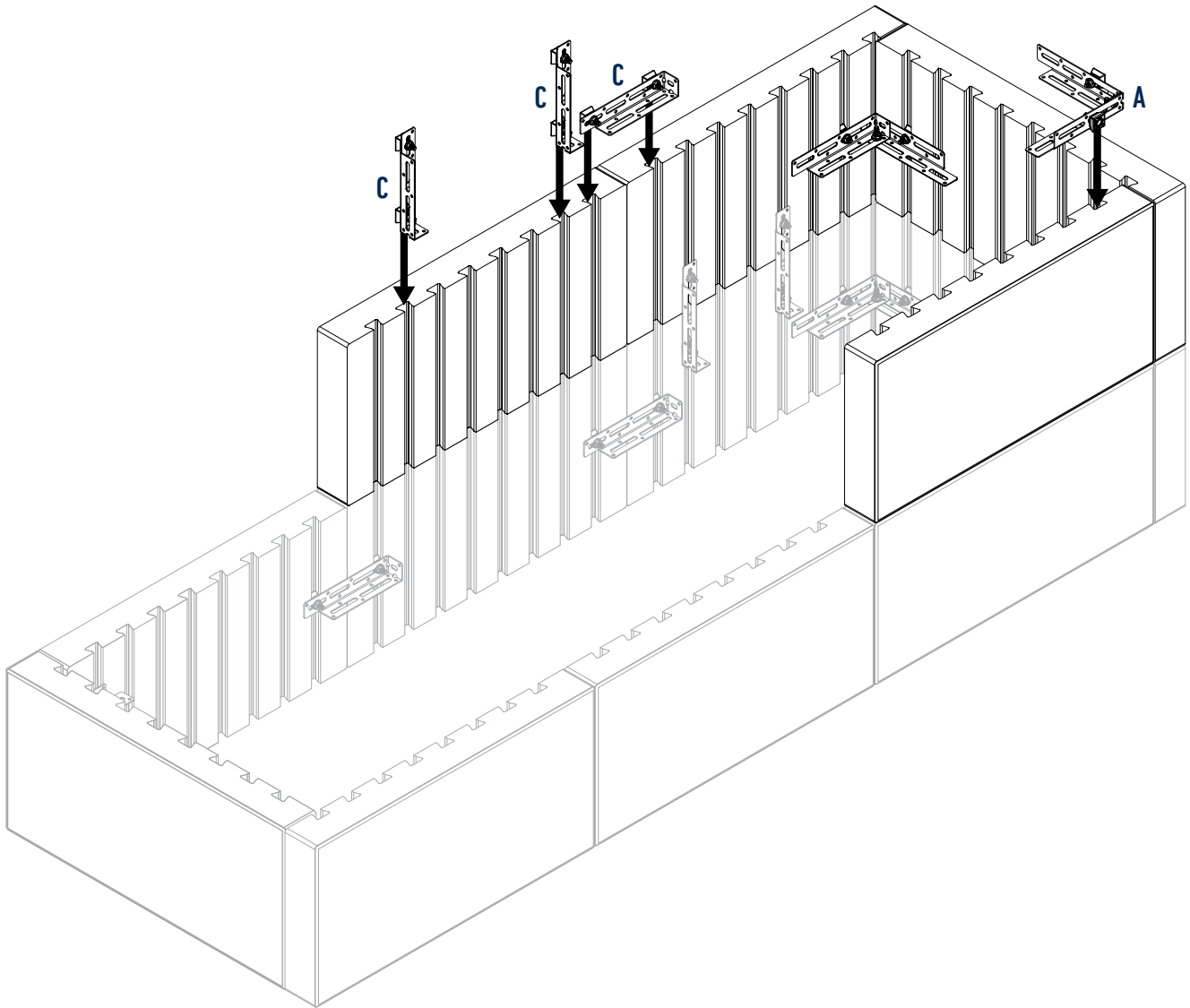


10



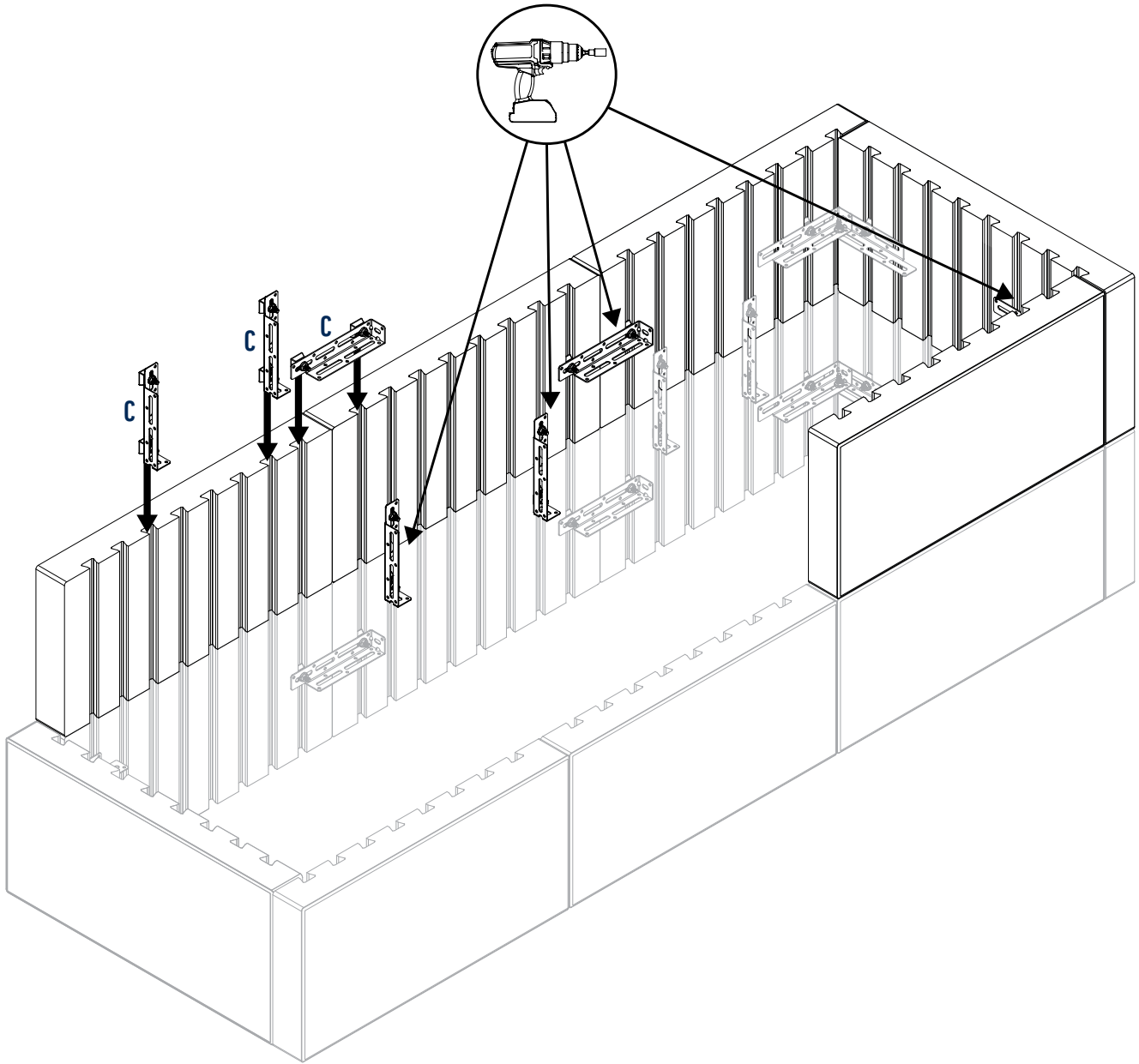


11

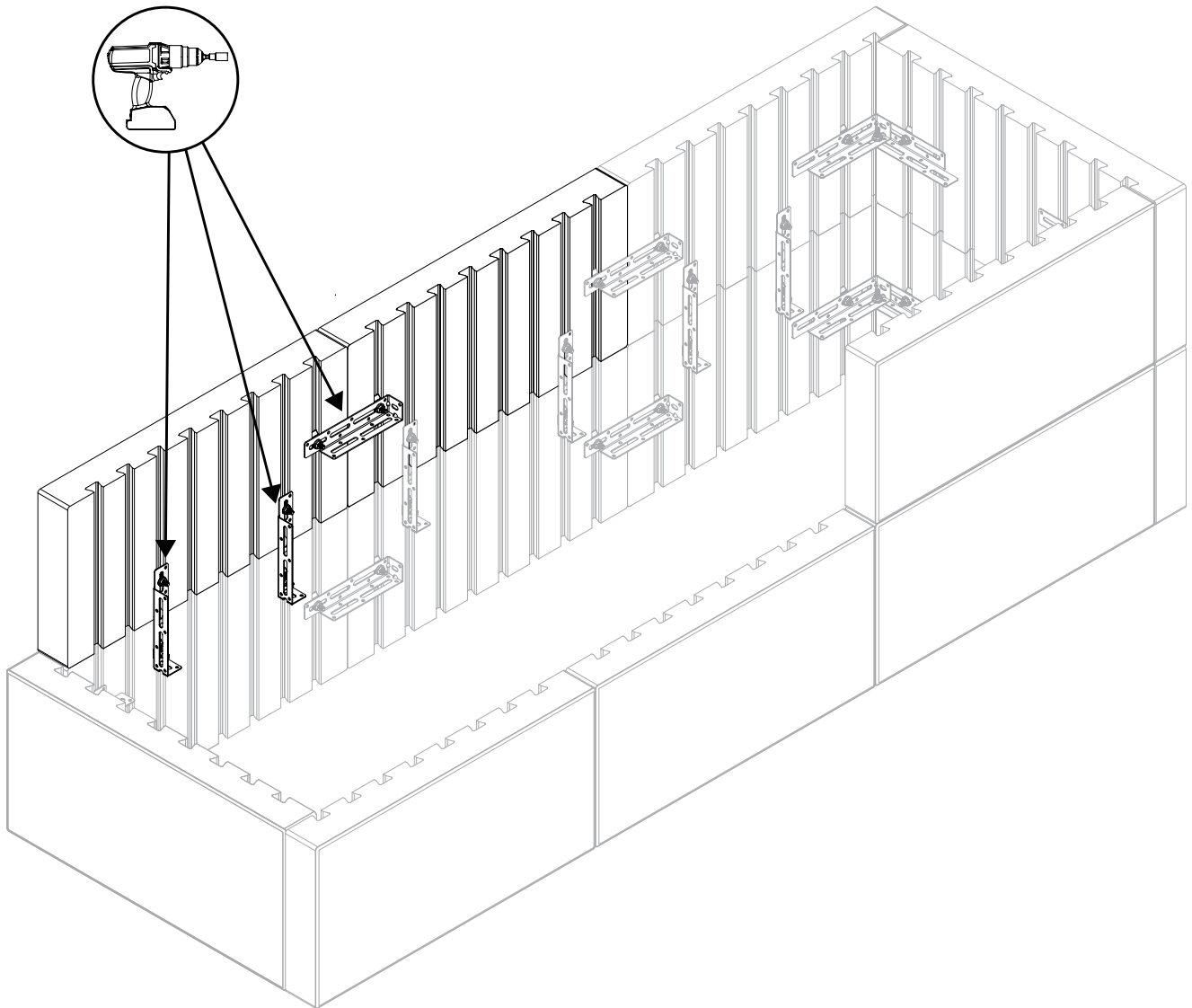




12

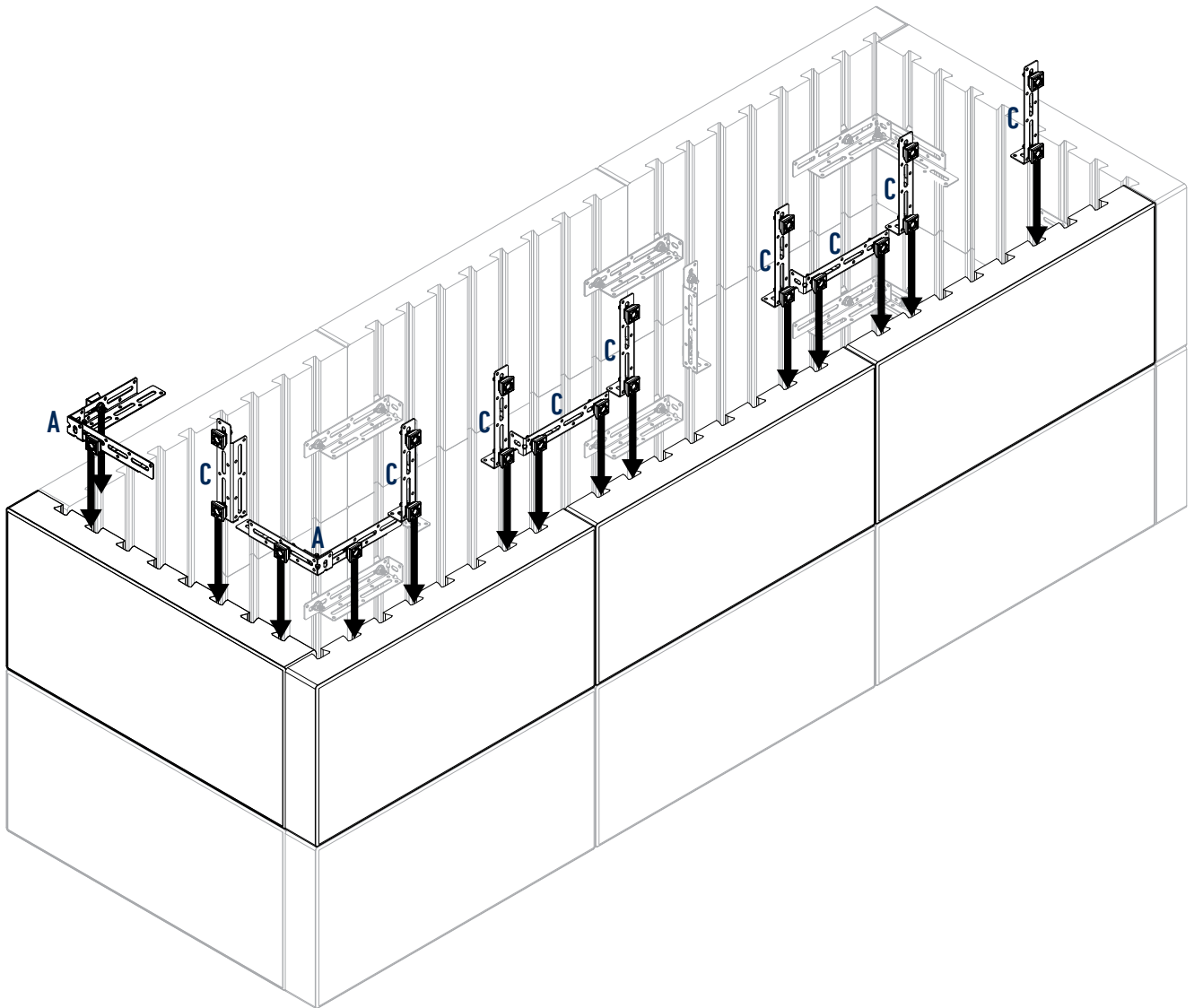


13



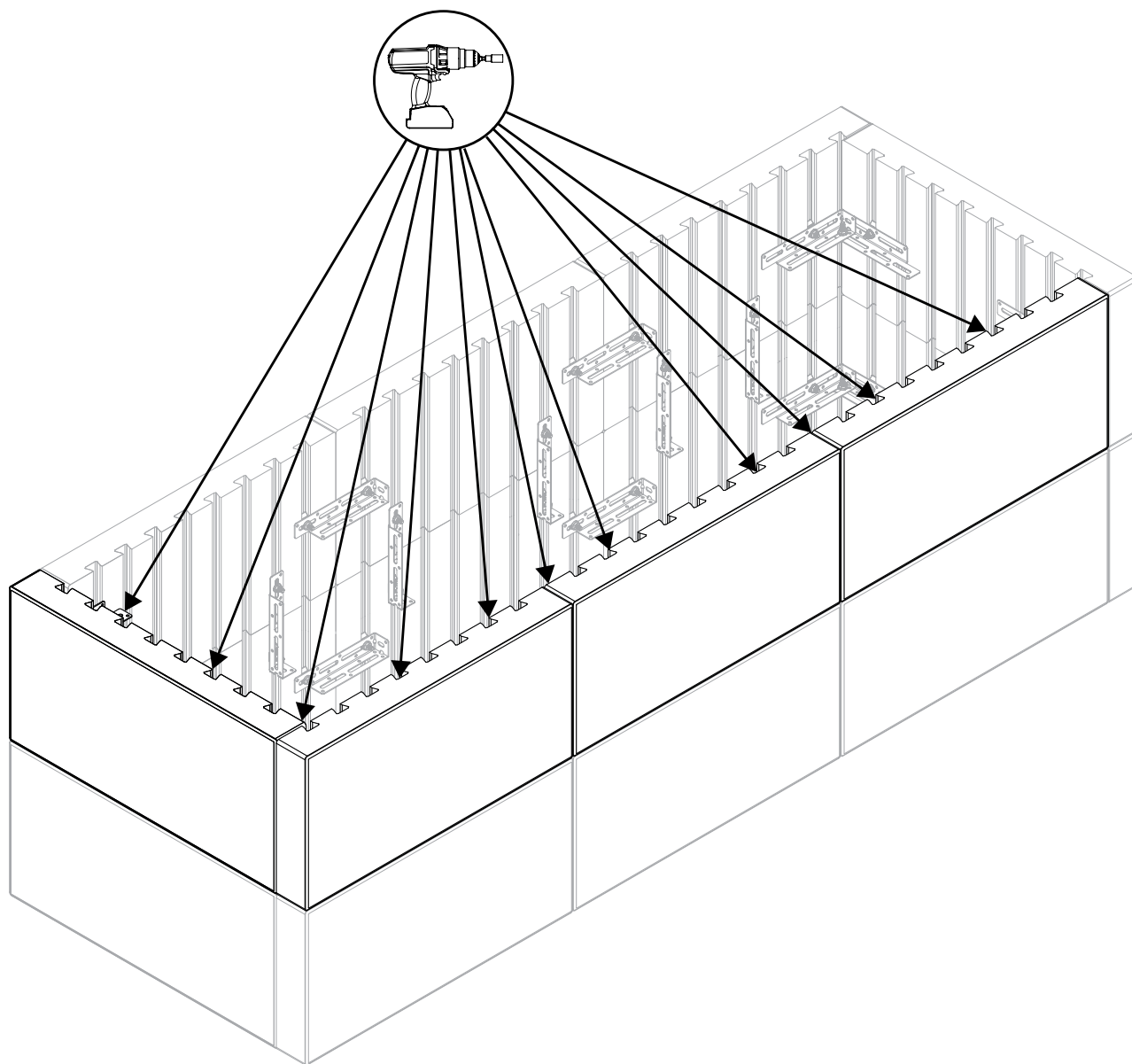


14



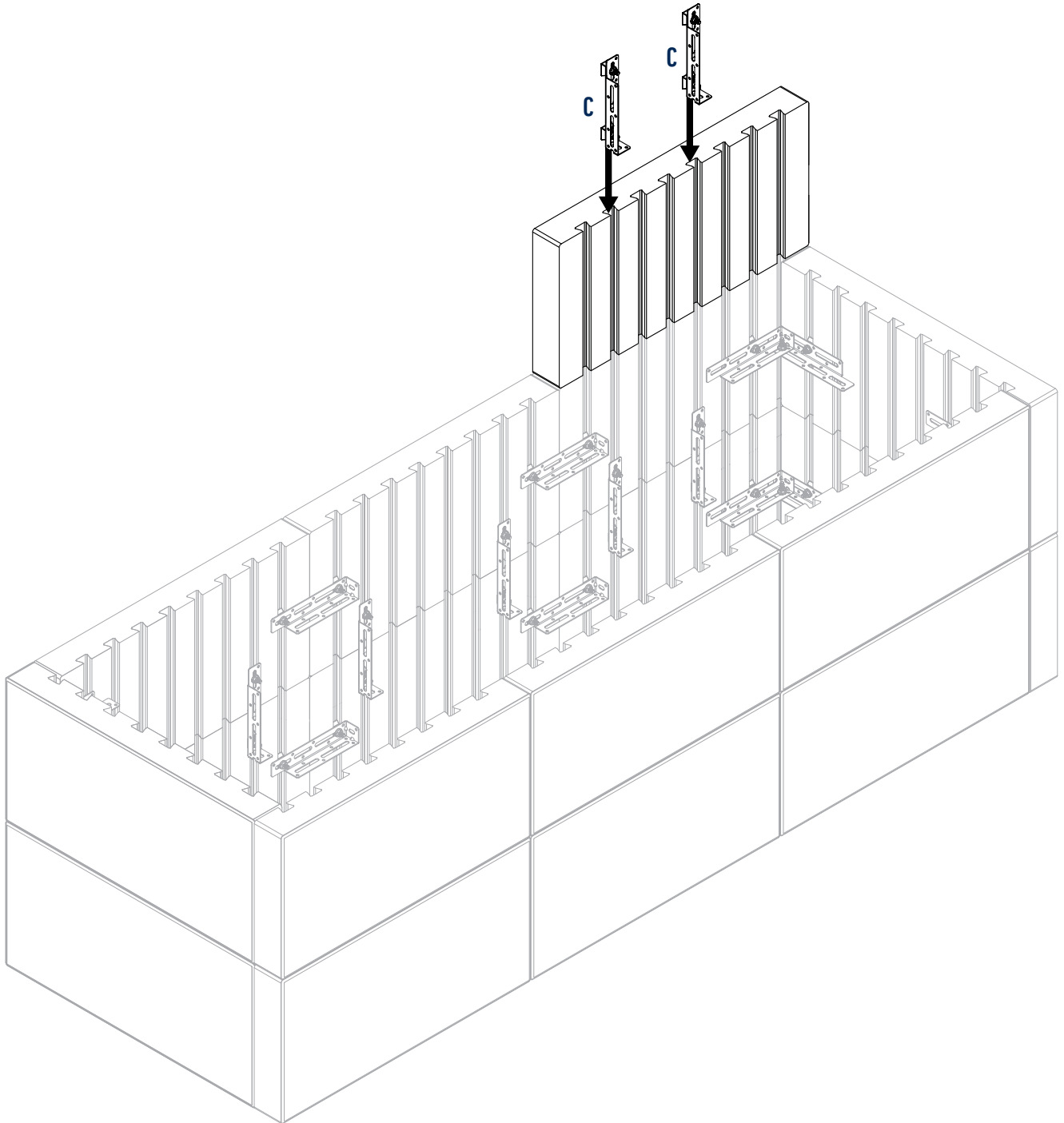


15



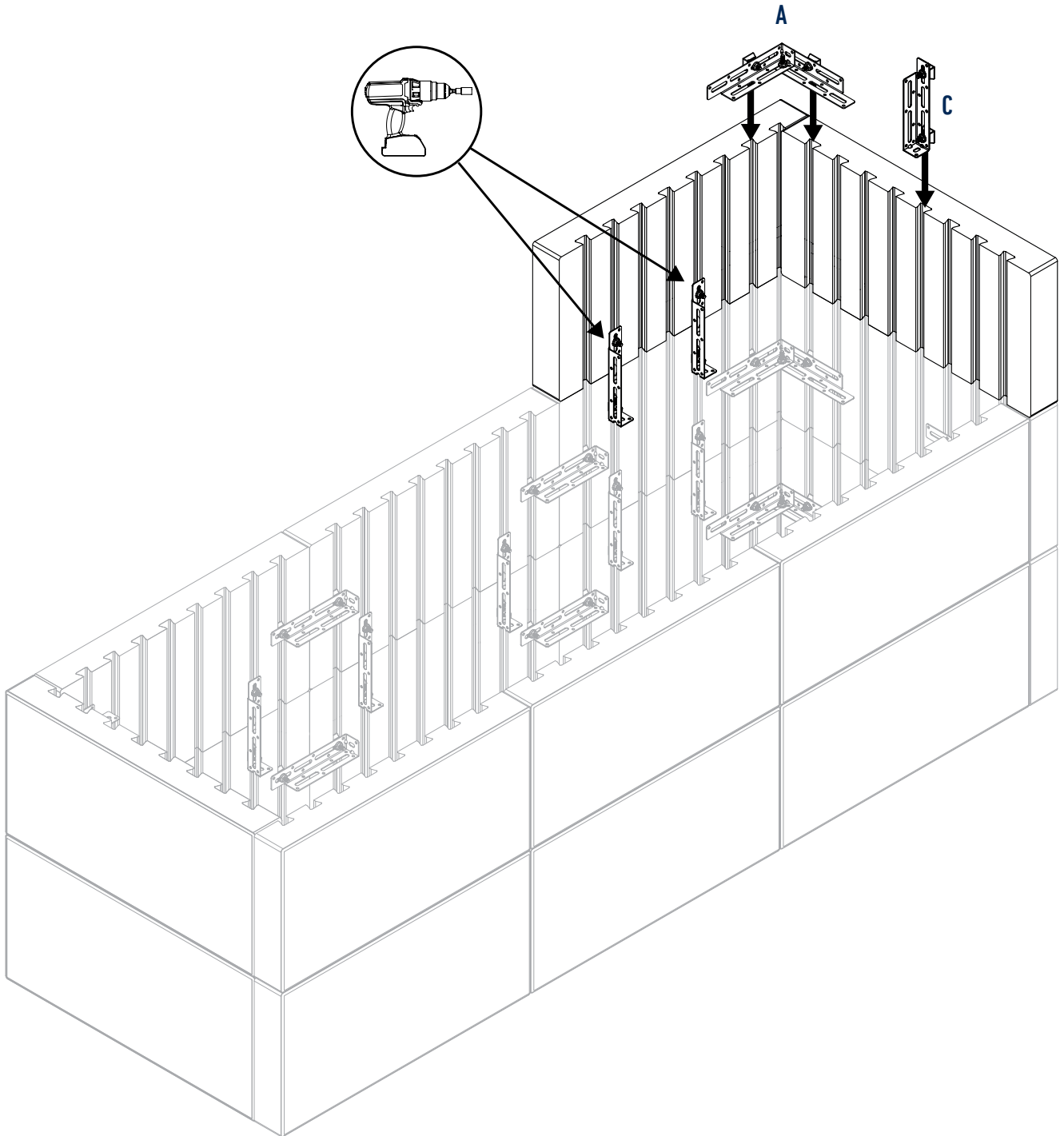


16

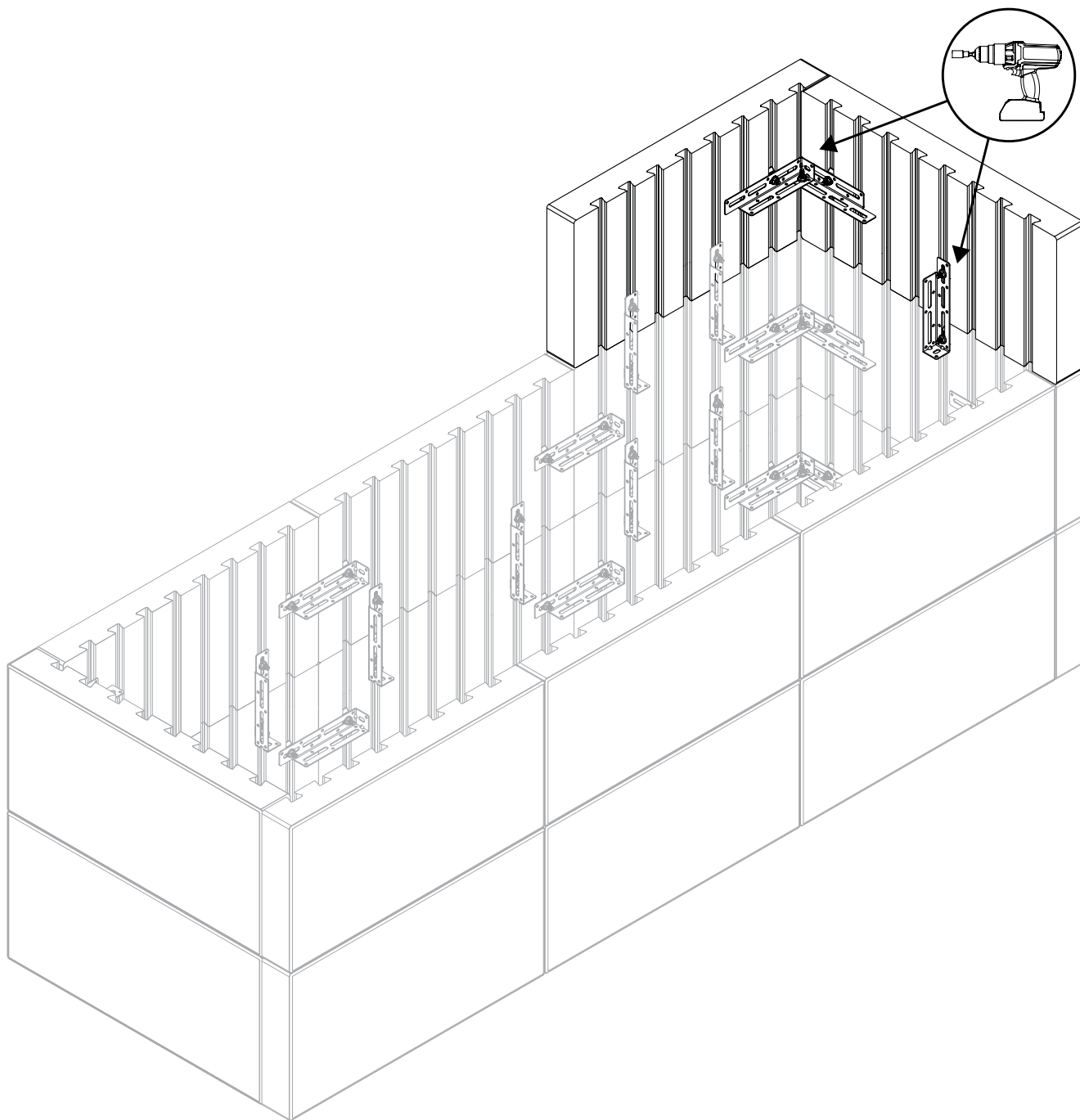




17

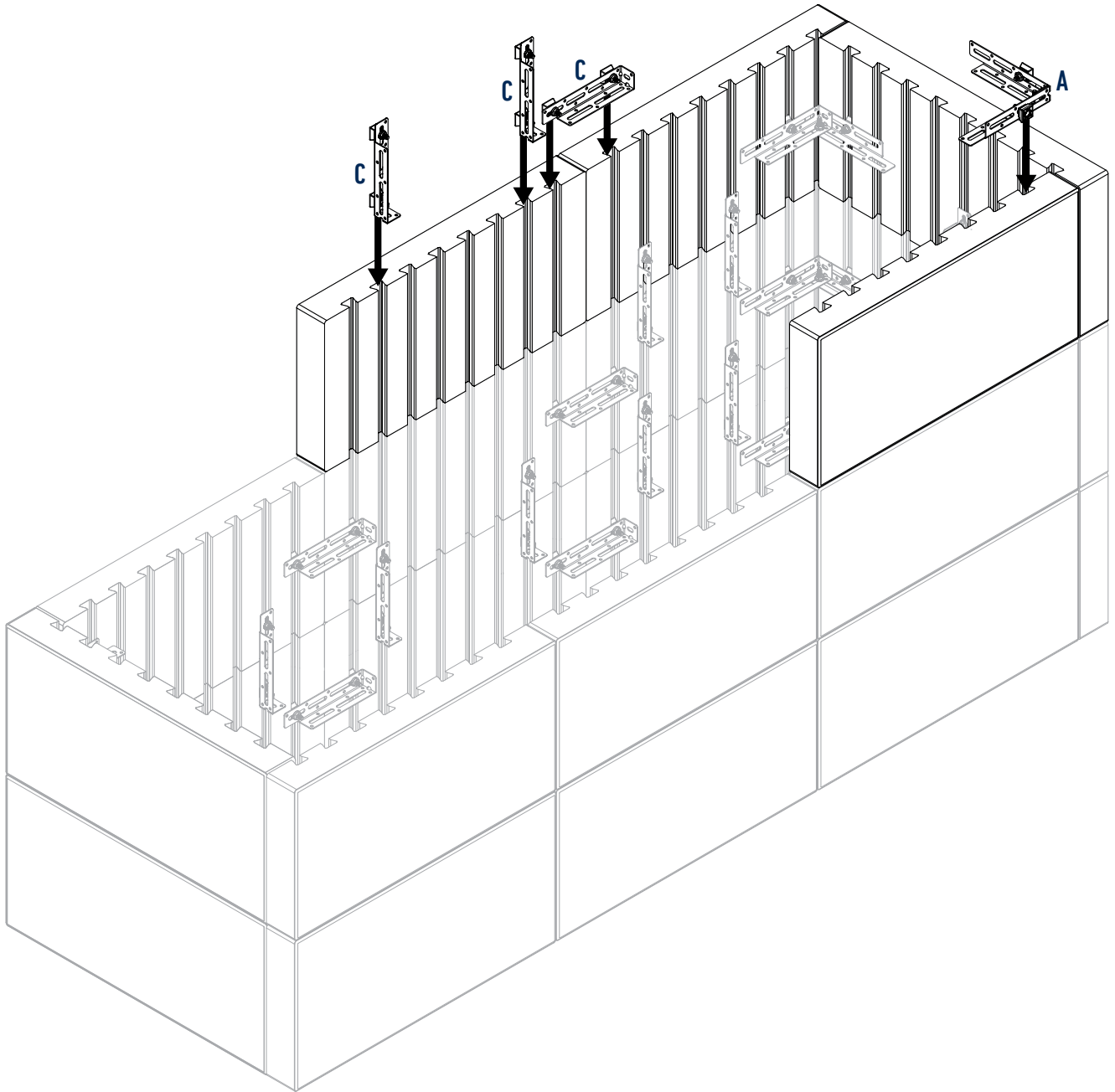


18



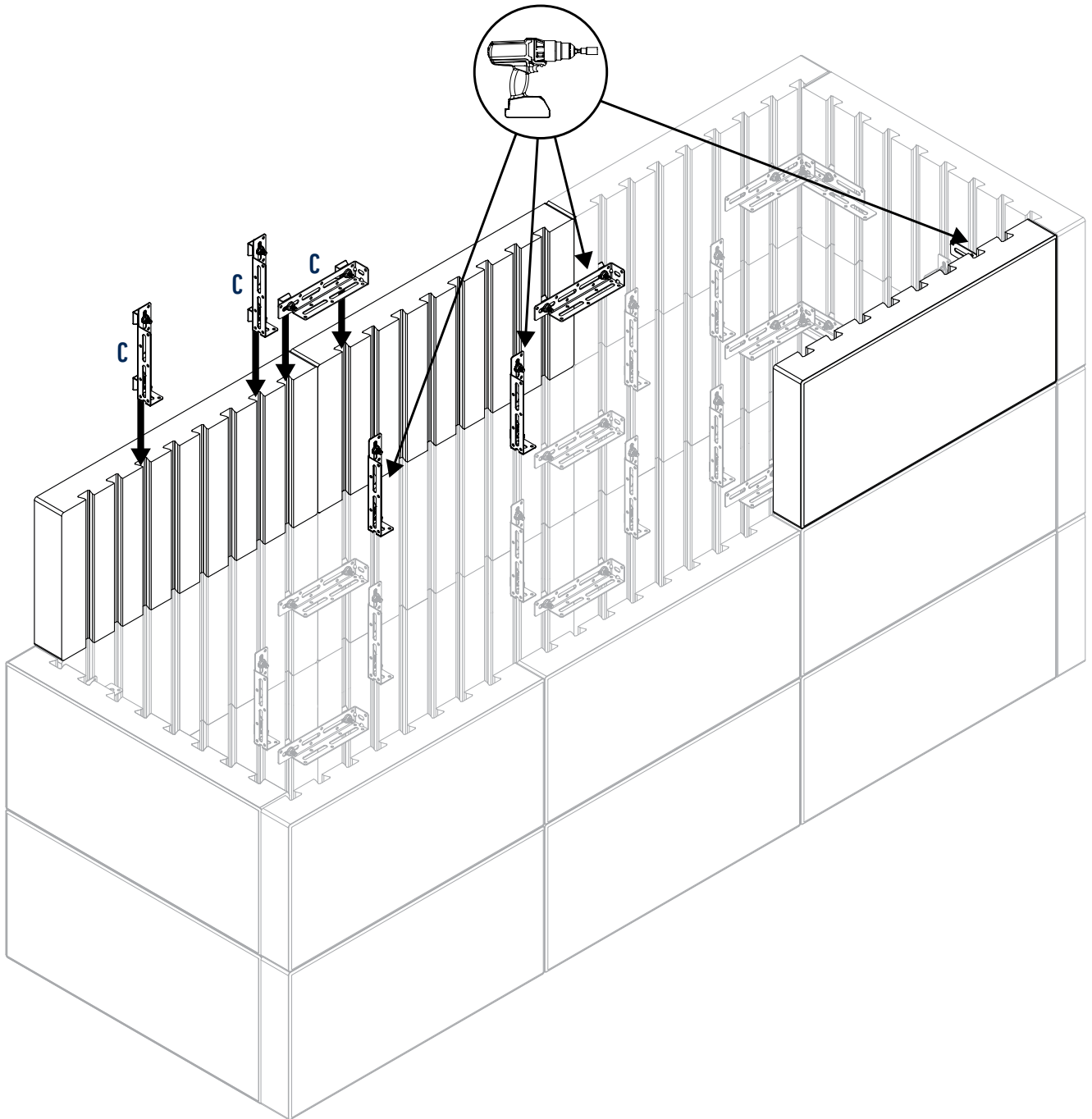


19



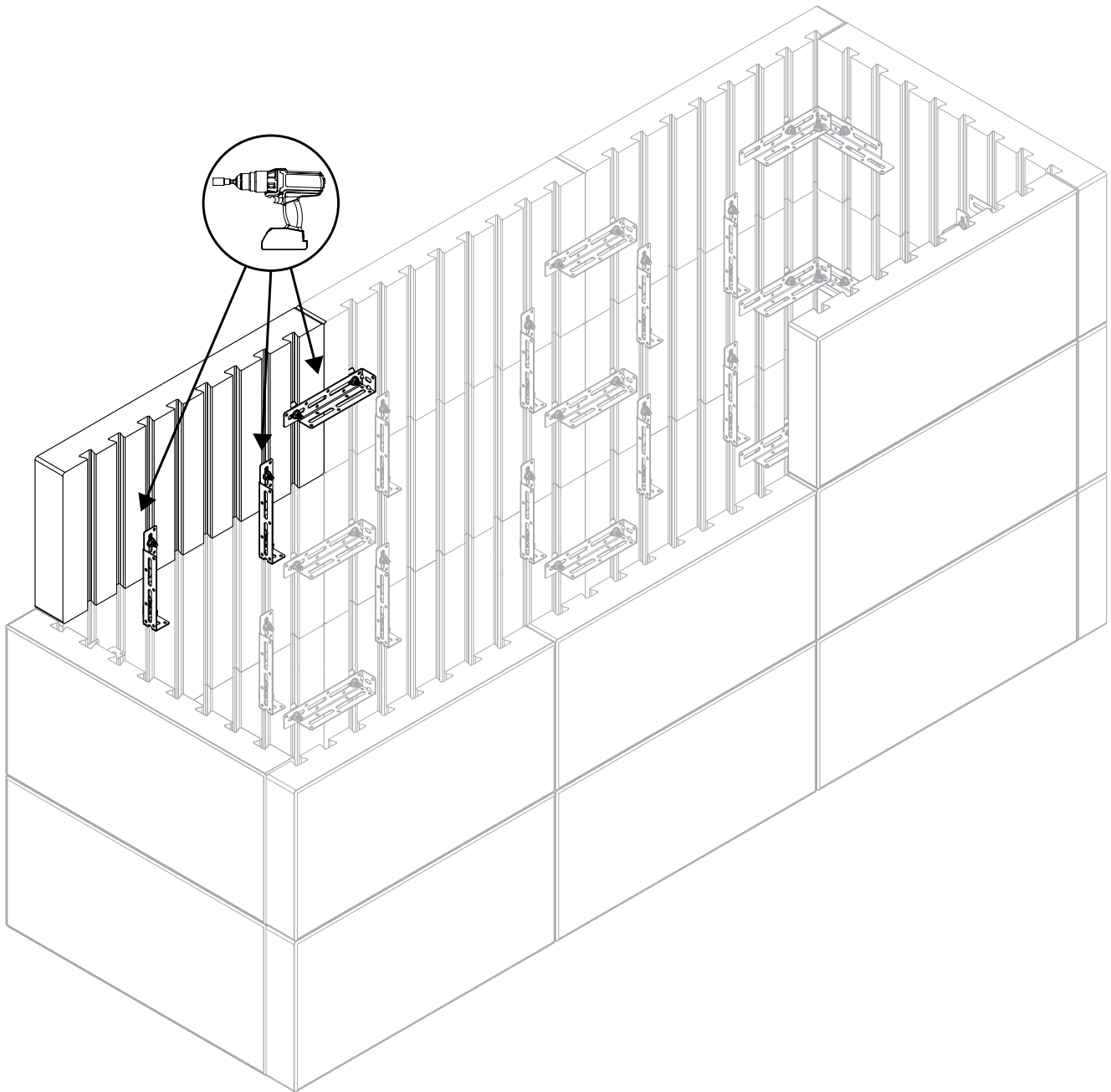


20



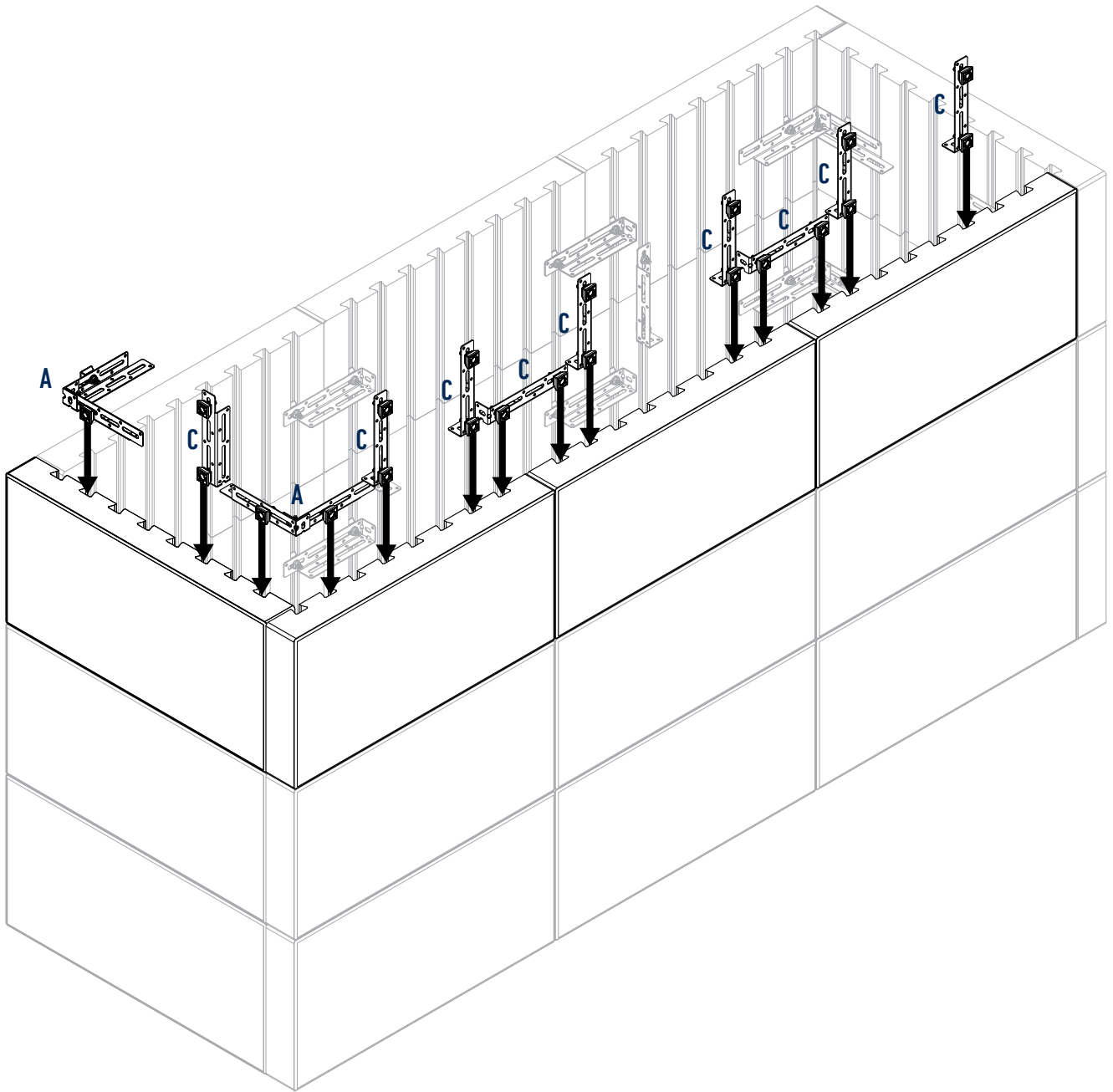


21



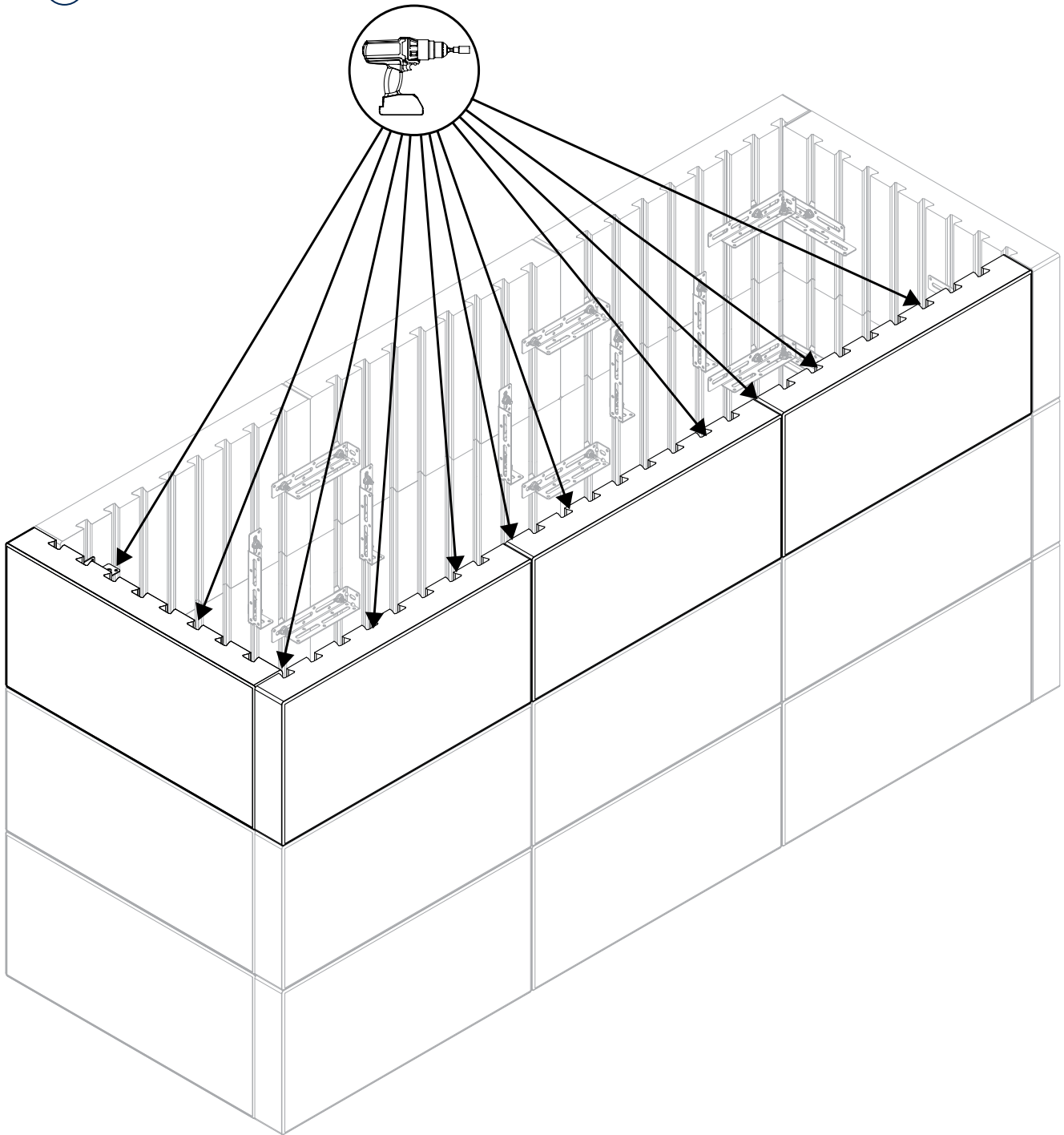


22



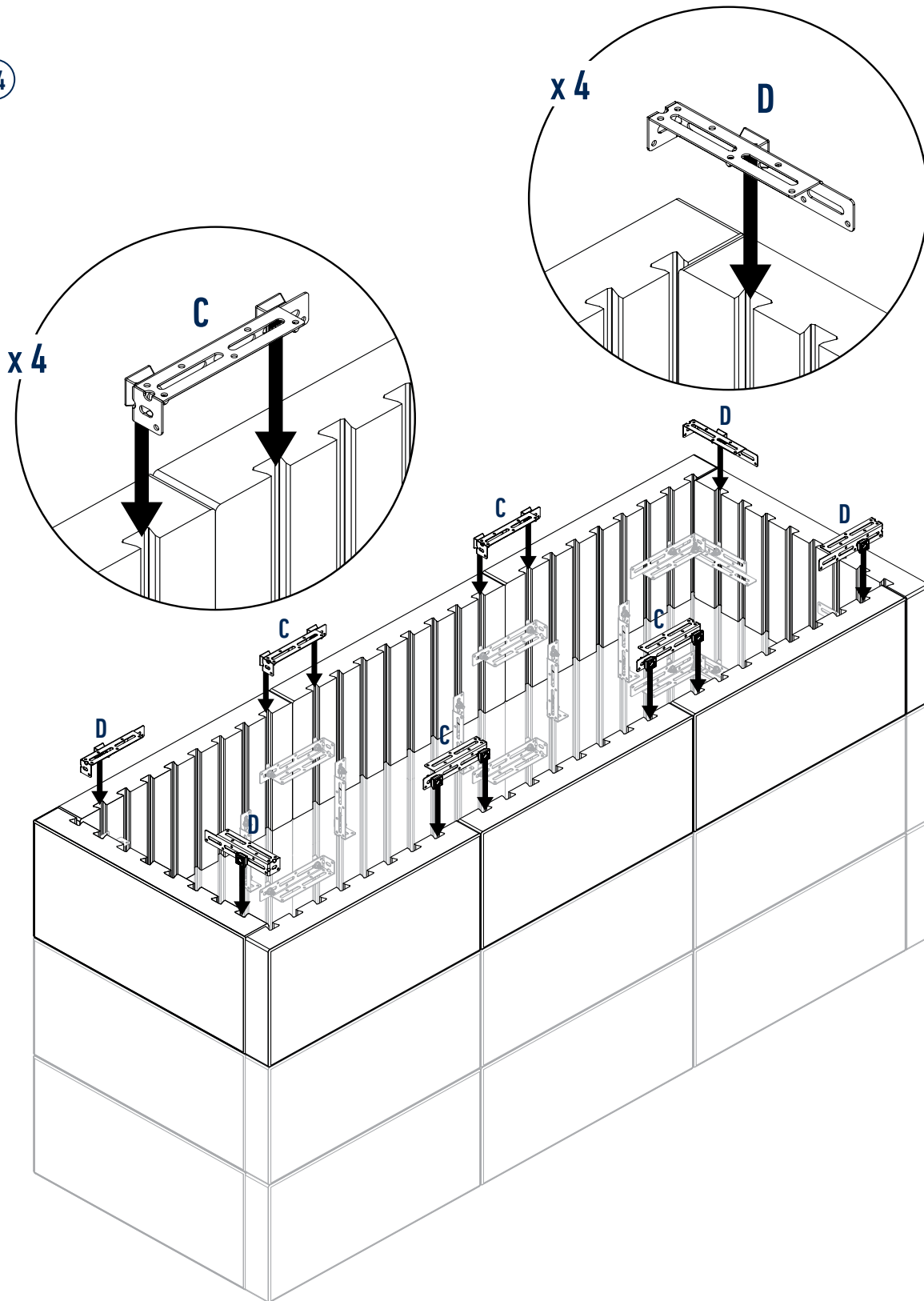


23



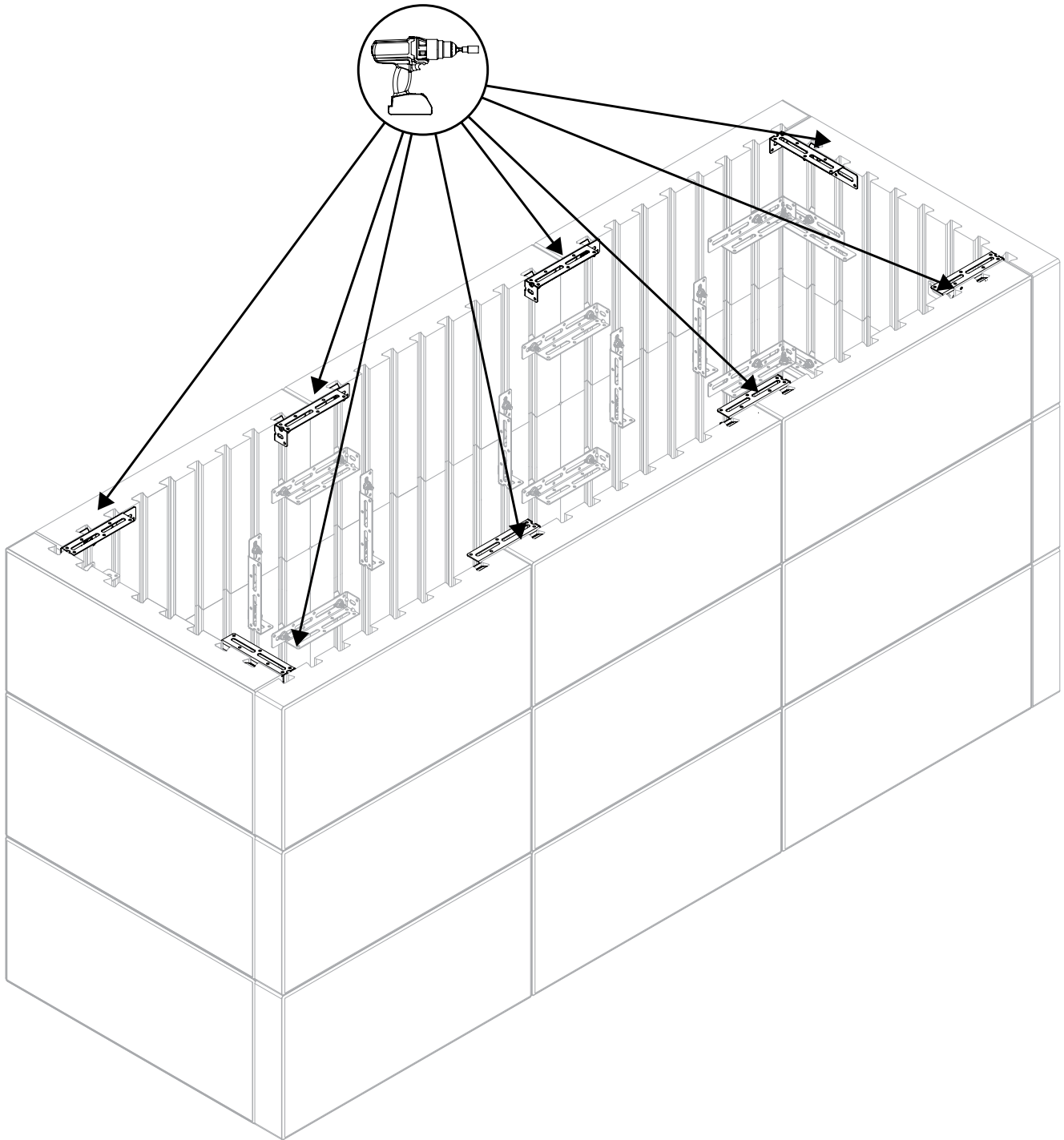


24



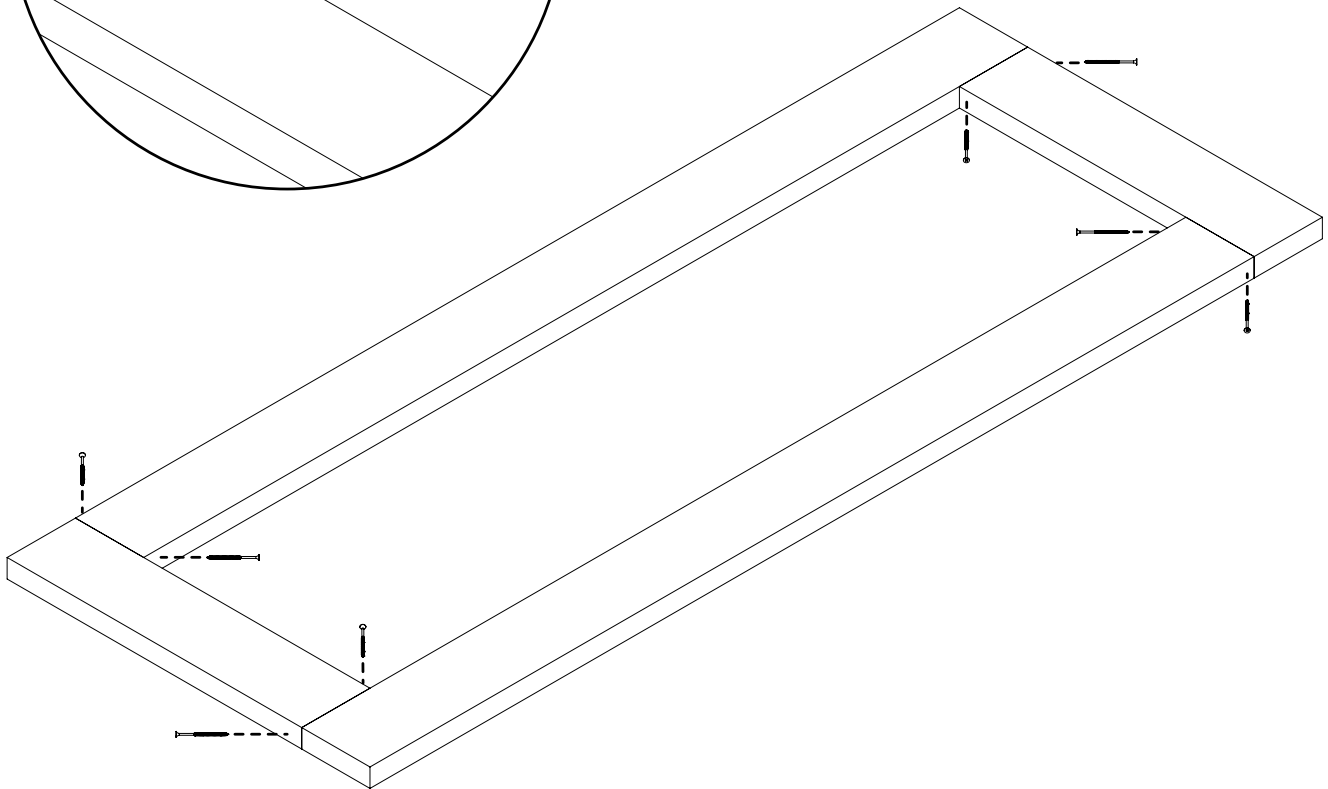
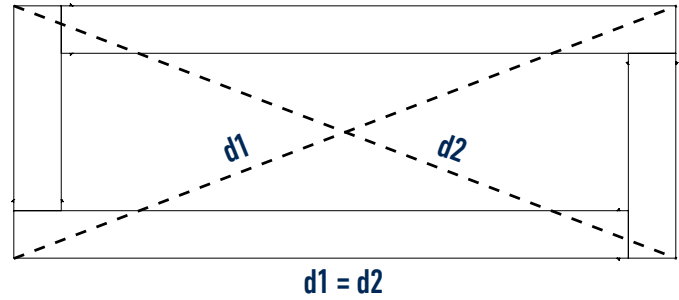
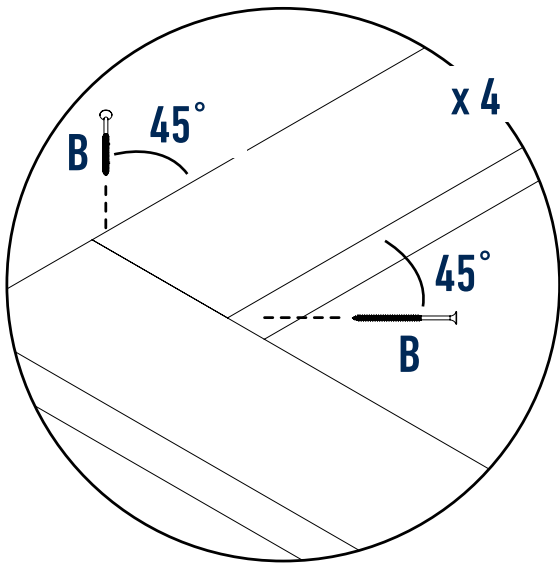


25



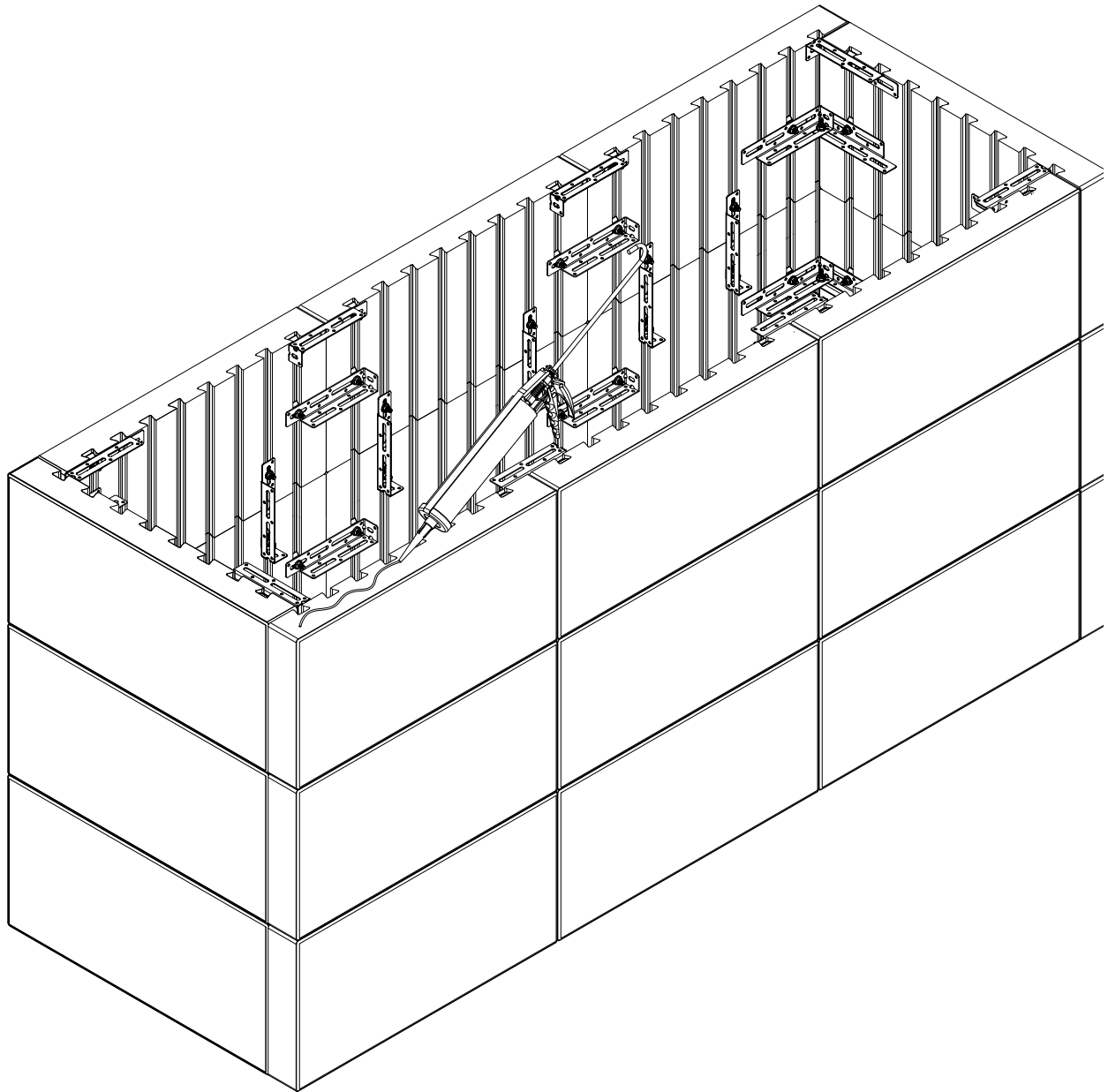


26



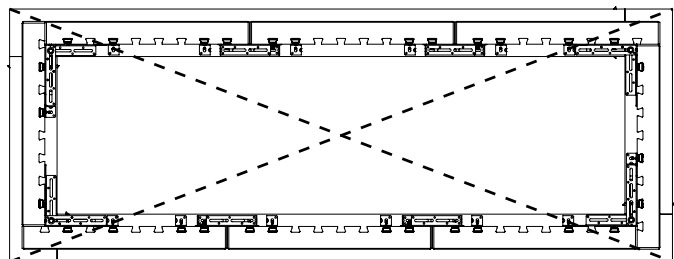
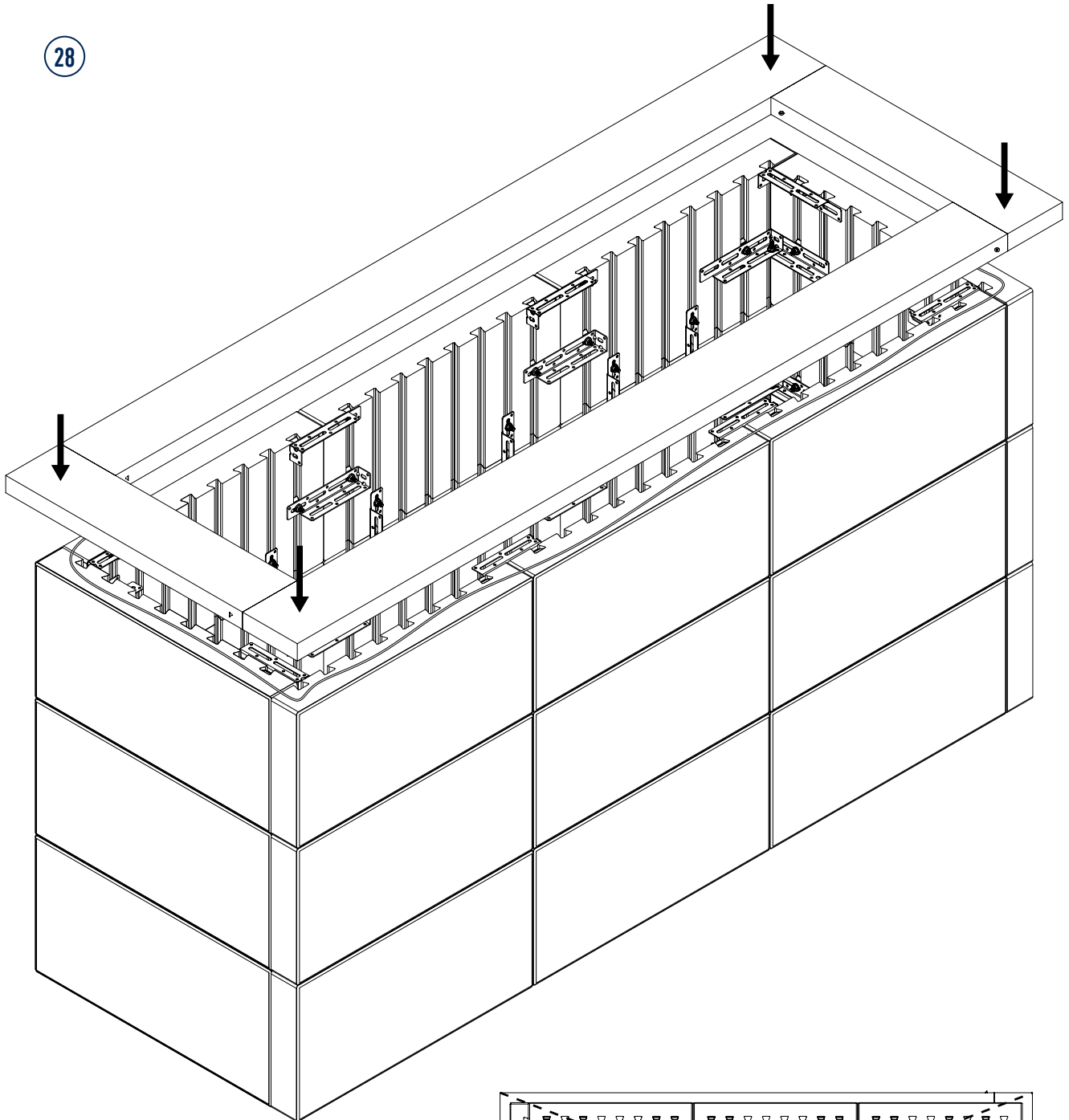


27





28



29

