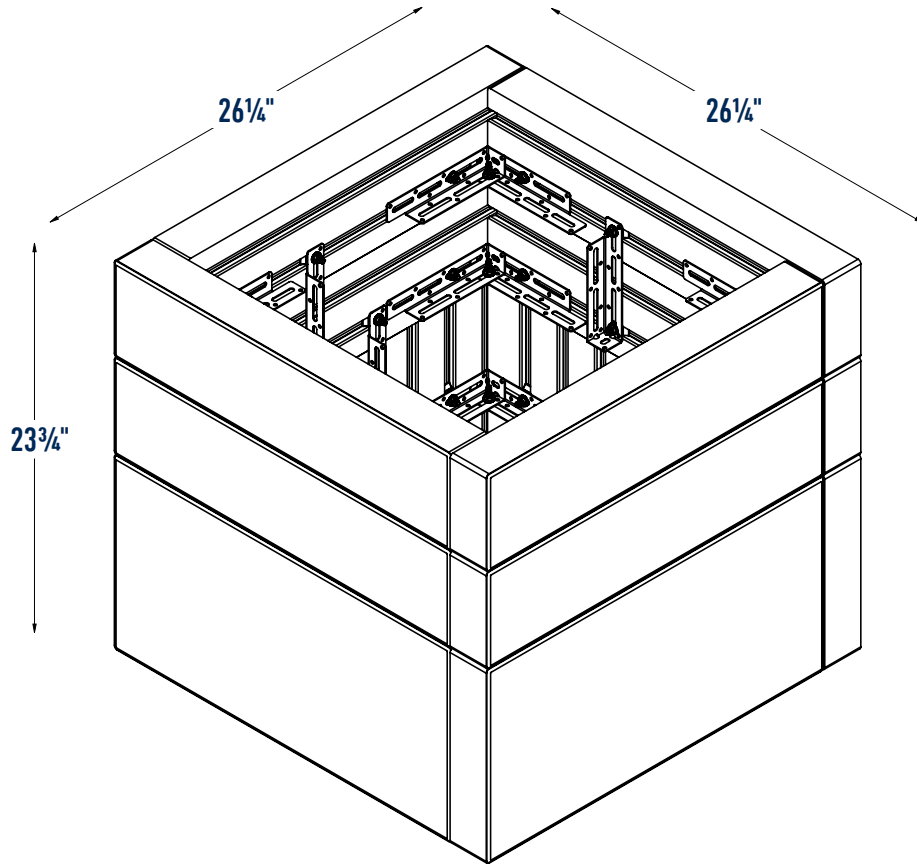




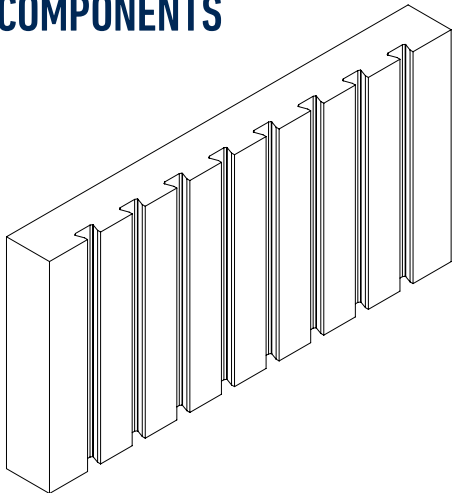
DESIGNFORMS™



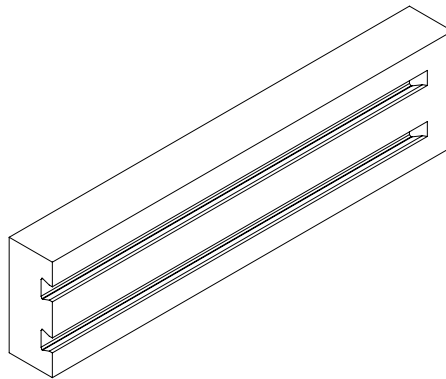
**2FT SQUARE PLANTER
- CONCRETE TOP**



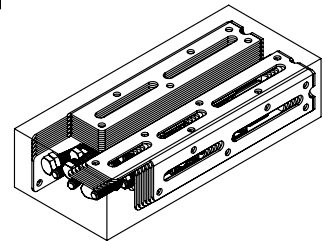
COMPONENTS



Large Panel (x4)
12" x 24"

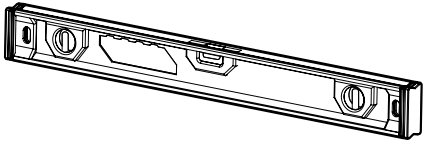


Small Panel (x8)
6" x 24"

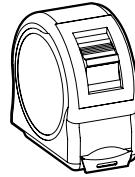


Hardware Kit (x3)

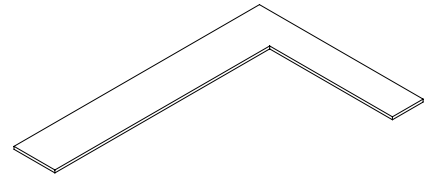
REQUIRED TOOLS



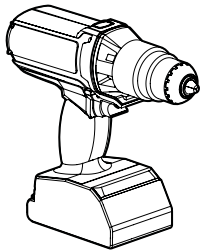
LEVEL



MEASURING TAPE



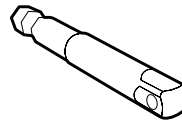
CARPENTER SQUARE



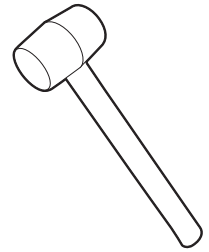
DRILL



DEEP HEX SOCKET
7/16" WITH 1/4" DRIVE



SOCKET ADAPTOR
1/4" HEX SHANK TO 1/4" DRIVE

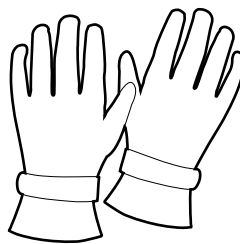


RUBBER Mallet

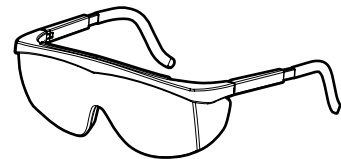
SAFETY EQUIPMENT



SAFETY BOOTS



GLOVES

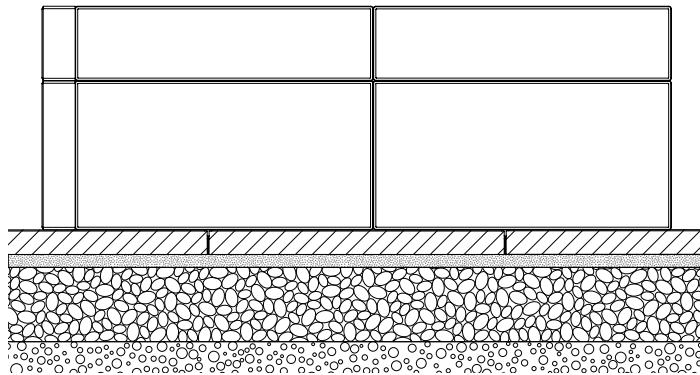


SAFETY GLASSES

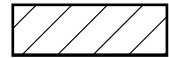
BASE PREPARATION

ALWAYS LEVEL GROUND BEFORE INSTALLATION

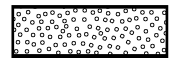
ON NEW OR EXISTING PATIO



SLAB OR PAVER



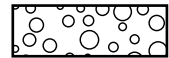
BEDDING SAND 1"



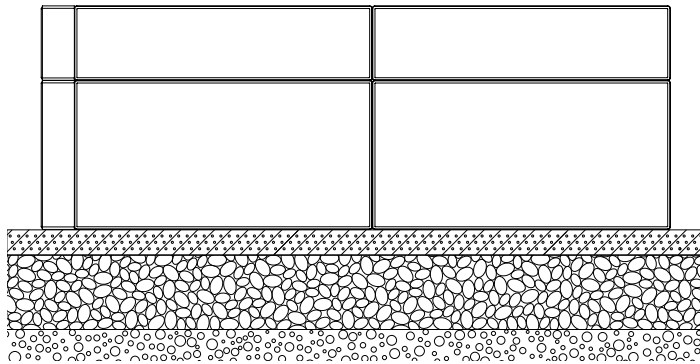
COMPACTED AGGREGATES 6" - 8"



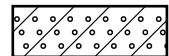
SOIL



ON POURED CONCRETE



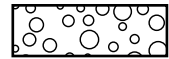
REINFORCED POURED CONCRETE FOUNDATION 2"



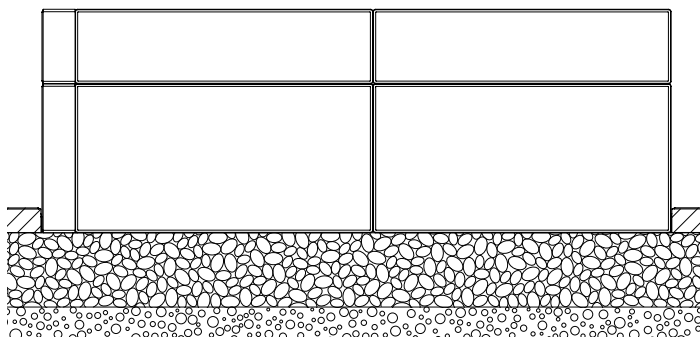
COMPACTED AGGREGATES 6" - 8"



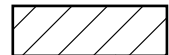
SOIL



ON COMPACTED FOUNDATION



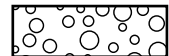
SLAB OR PAVER



COMPACTED AGGREGATES 6" - 8"



SOIL



TIPS & TRICKS

READ ALL INSTRUCTIONS BEFORE ASSEMBLY

PREBUILD:

- Prebuild all hardware prior to starting build.
- When assembling hardware SNAP the bolt into place with the plastic sliders. Pressing down on something flat and hard will help. (Fig. A)
- Do not over hand tighten the slider/bolt piece and the nut on the completed brackets. They should be loosely attached so they slide into the channels on the panels. Leave a space of ¼ in. (Fig. B)

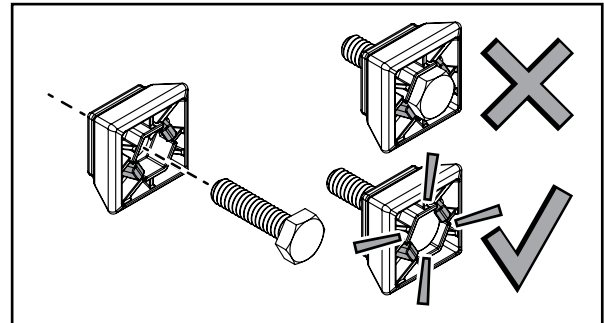


Fig. A

INSTALL:

- Always start in the corner when starting a build. (Fig. C)
- Set the drill clutch (torque) at a low level to deliver a torque range of 50-65lbs per inch. Refer to your drill manual for torque adjustment instructions.
- Use a rubber mallet to assist with moving/aligning/adjusting panel placement during assembly.

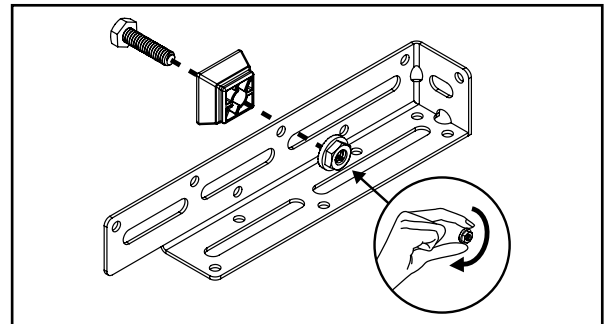


Fig. B

WHEN BUILDING WOODEN COMPONENTS:

- Do not exceed prescribed length. Exact measurements are required for proper assembly.
- Ensure your cuts are straight.
- Do not over tighten the screws into the wood - this can cause buckling.
- Pre-drill holes for 45° corner assemblies.
- Use cedar or pressure treated wood for outdoor use.
- Seal wooden components for prolonged use.

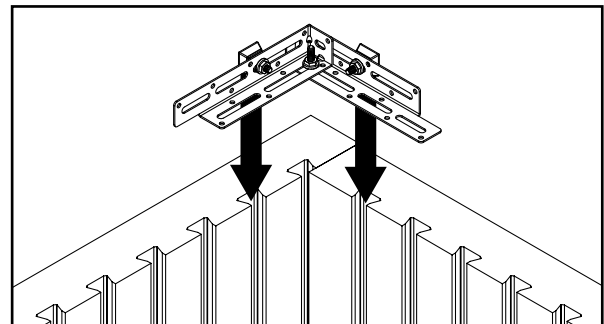


Fig. C

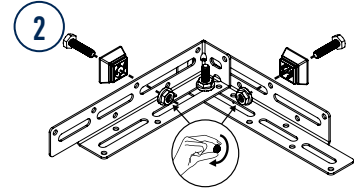
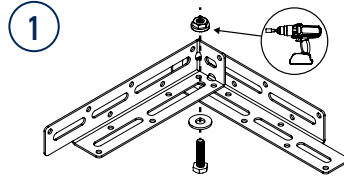
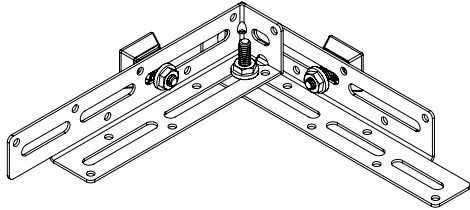
WHEN BUILDING PLANTERS:

- Line the inside of the planters or garden beds with a geotextile fabric to help with water management.



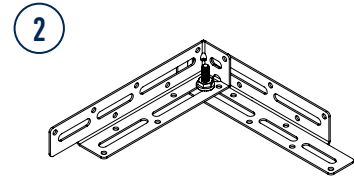
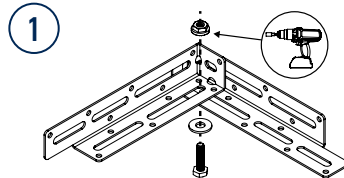
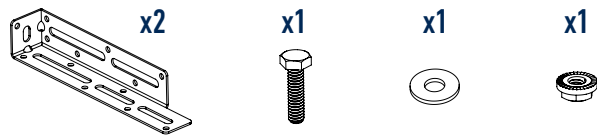
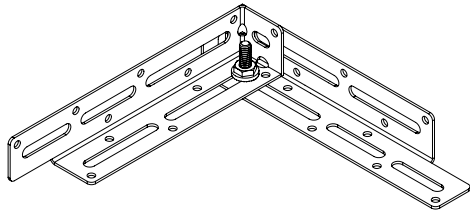
BRACKET A

x4



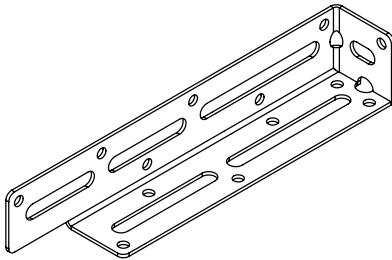
BRACKET B

x8



BRACKET H

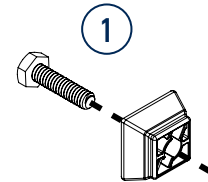
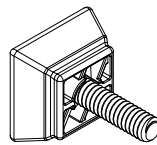
x8



ASSEMBLY I

x32

Use with
BRACKETS B and H
during build



J

x32

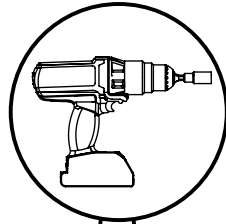
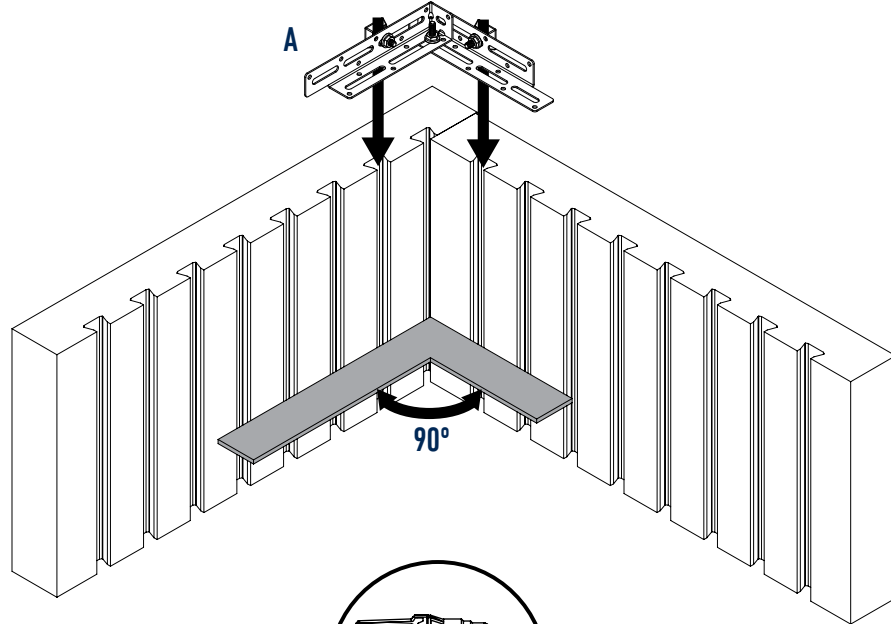




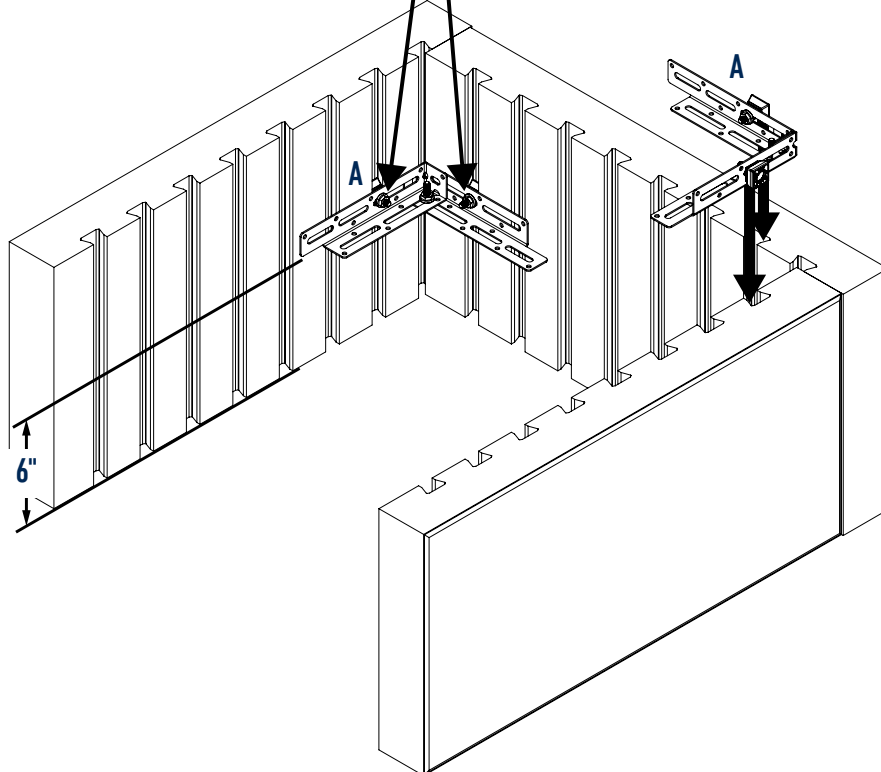
DESIGNFORMS™

2FT SQUARE PLANTER - CONCRETE TOP

1



2

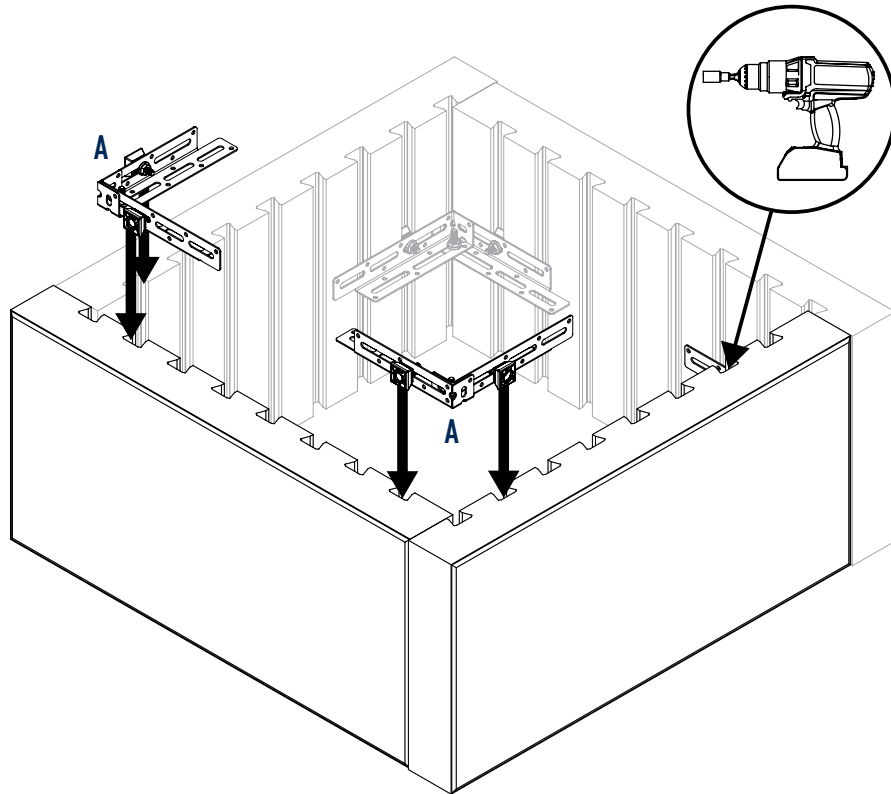




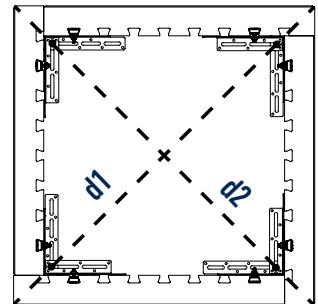
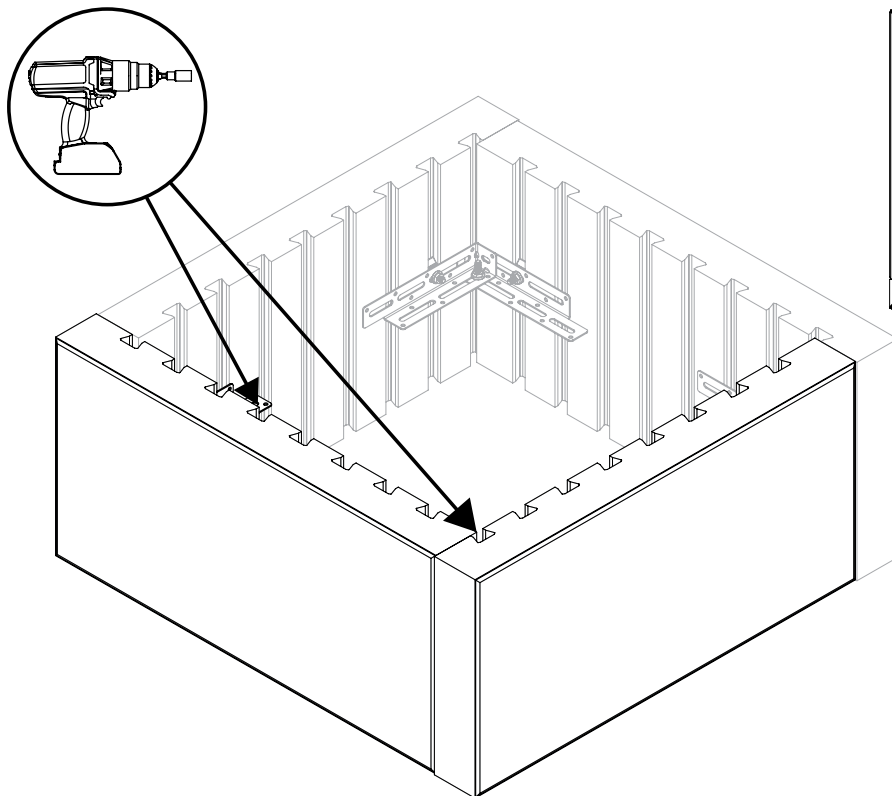
DESIGNFORMS™

2FT SQUARE PLANTER - CONCRETE TOP

3



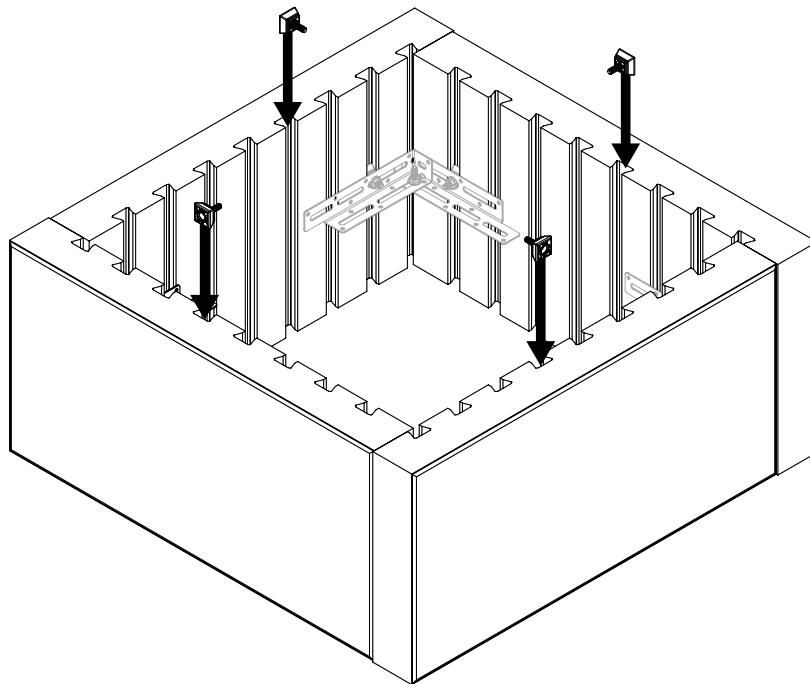
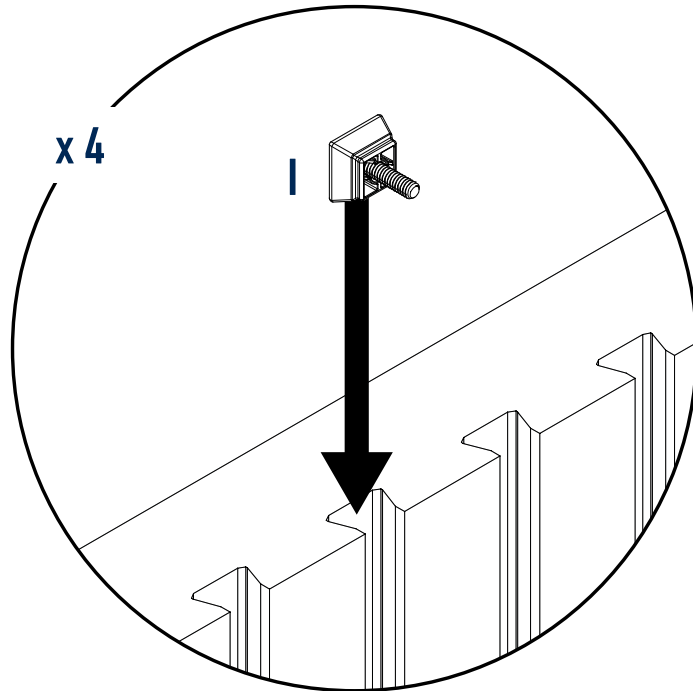
4



$d1 = d2$

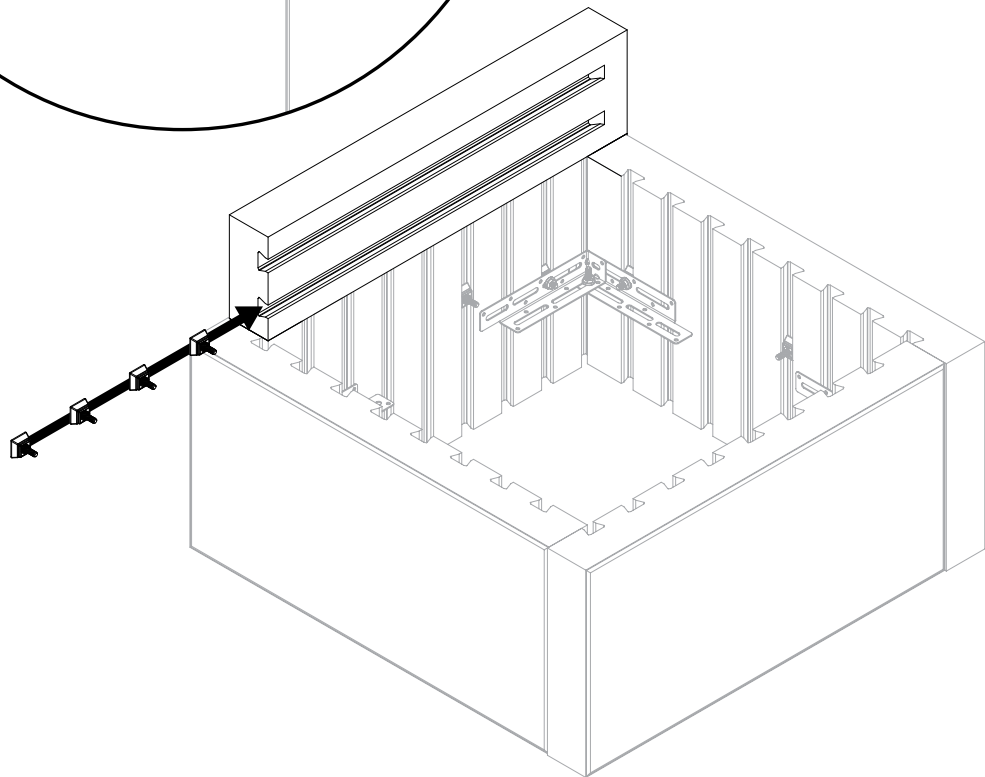
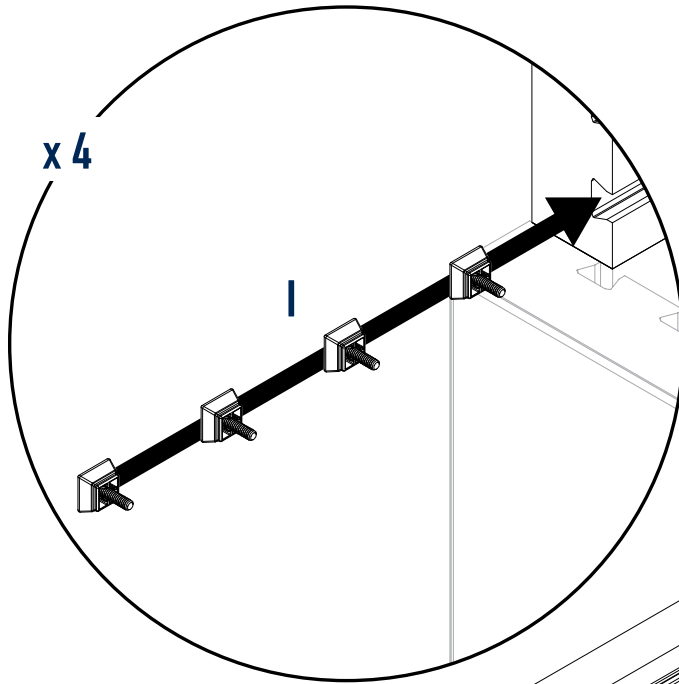


5



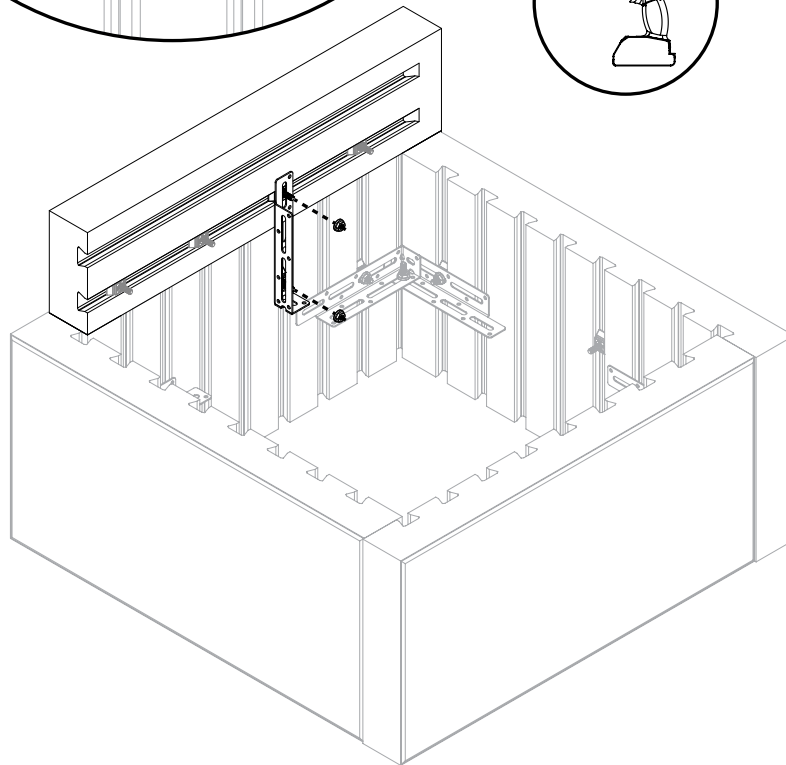
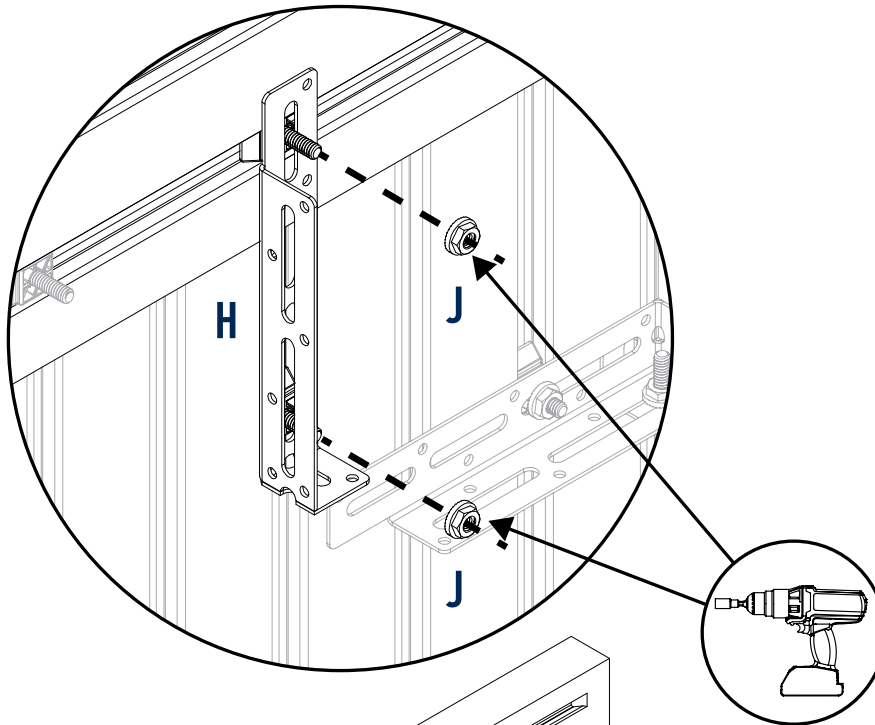


6



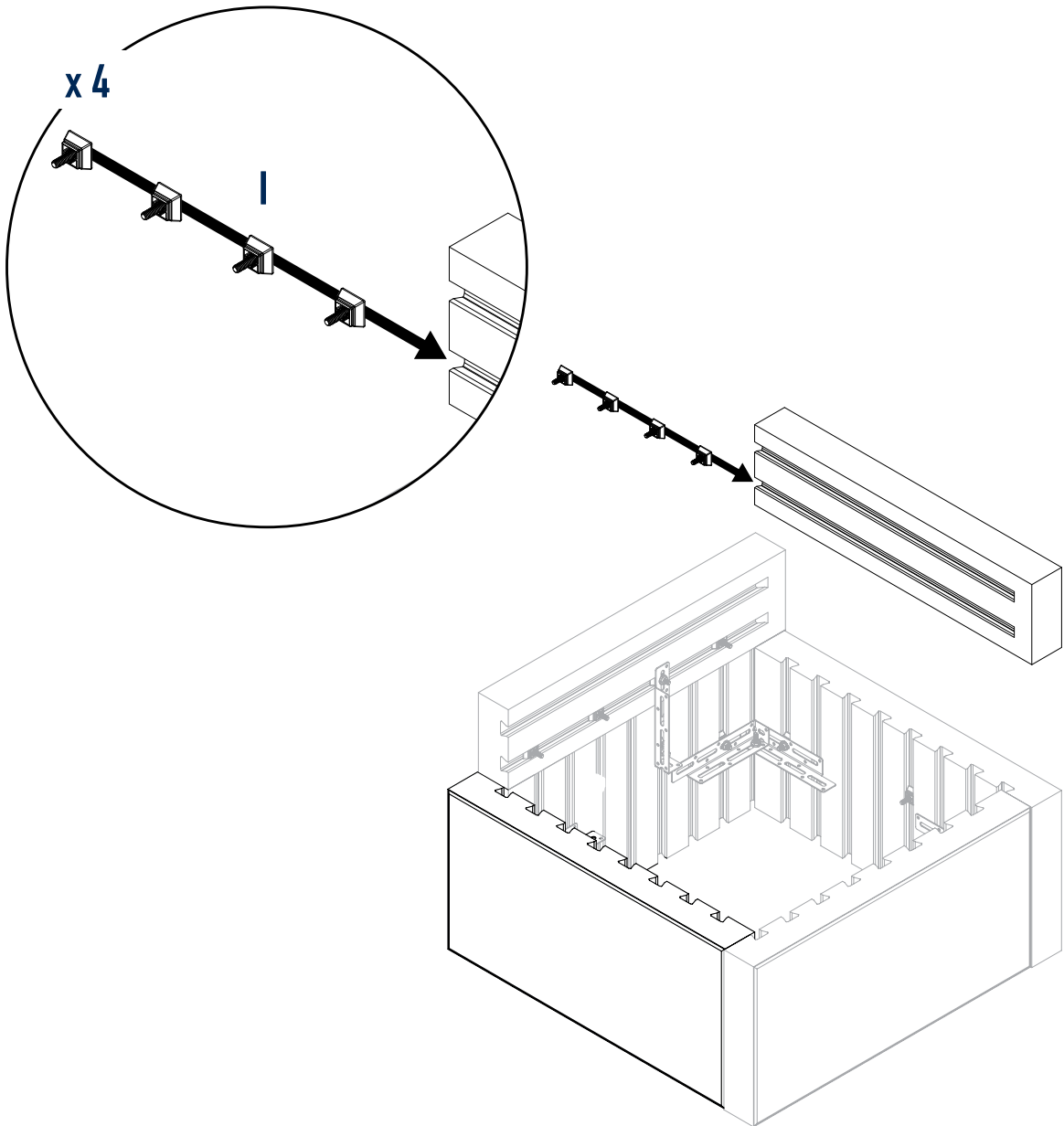


7



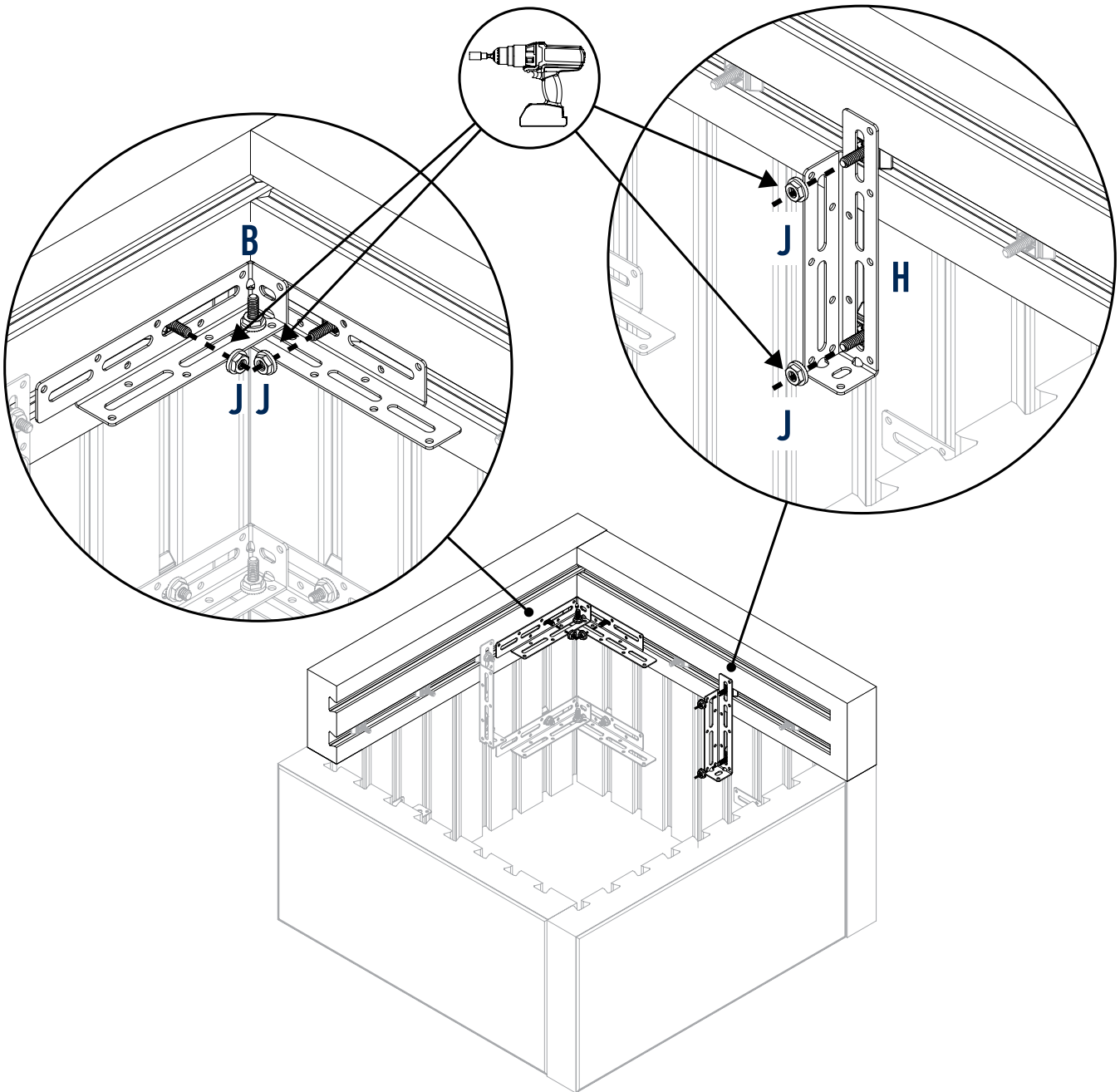


8



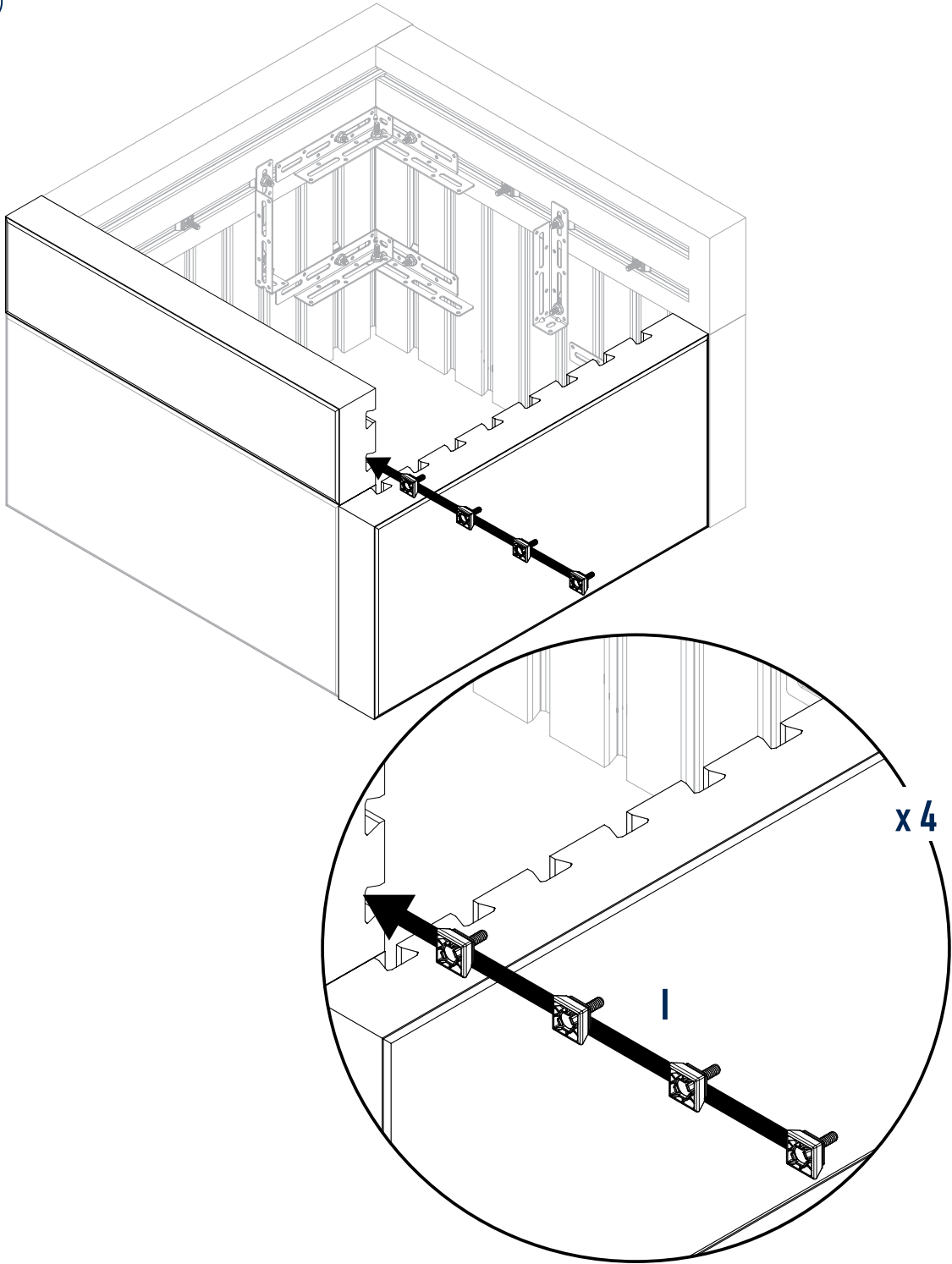


9



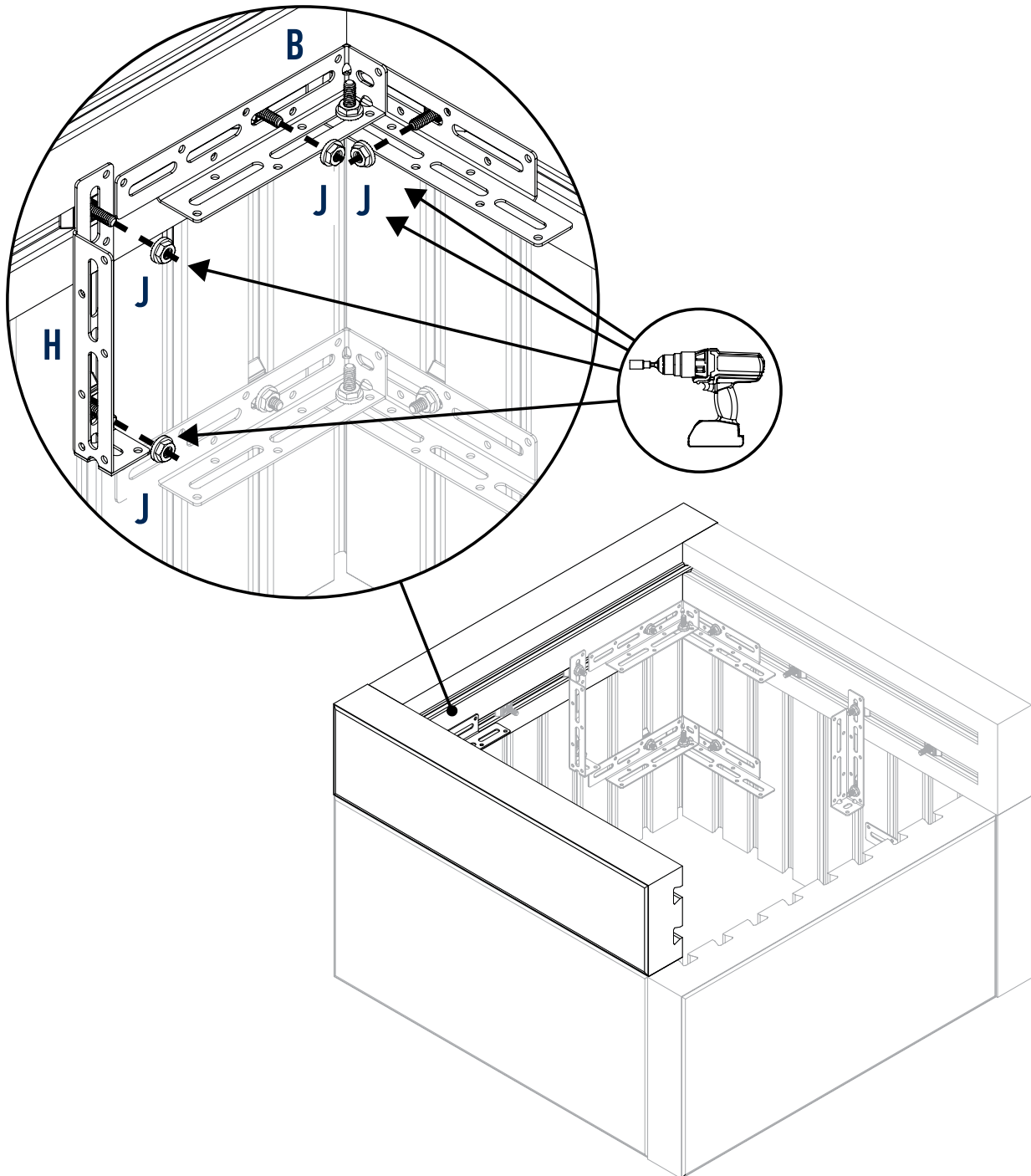


10



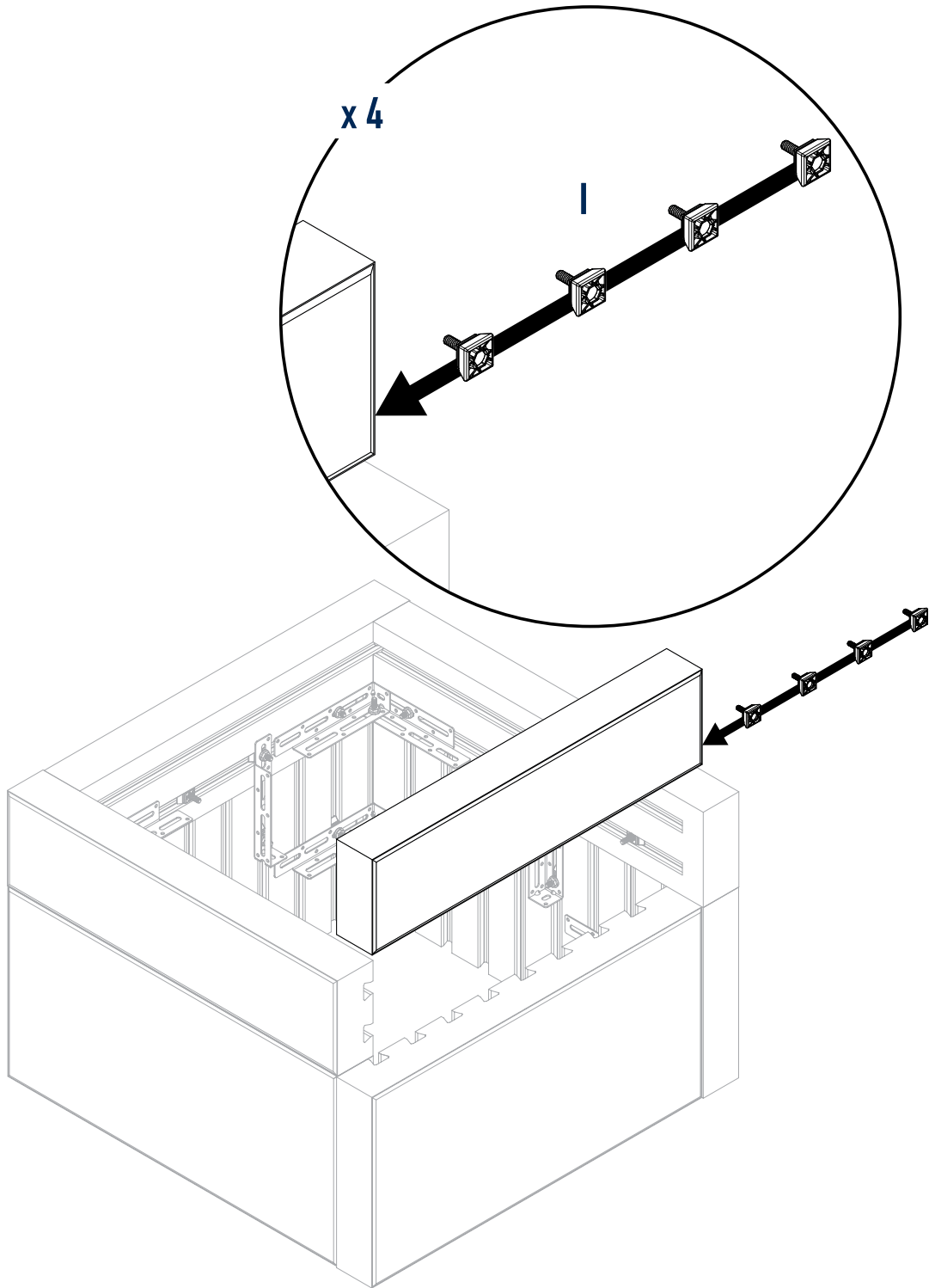


11



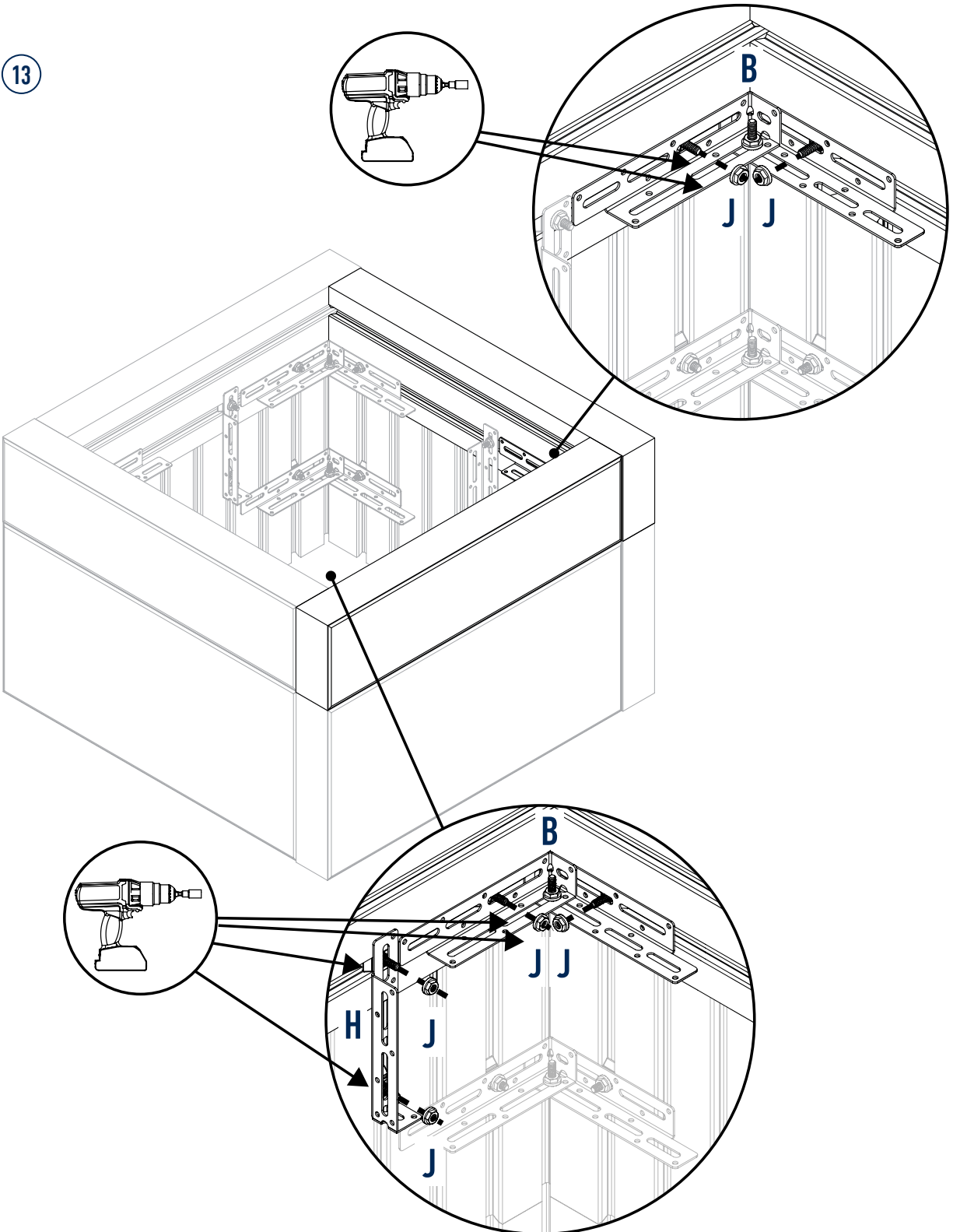


12



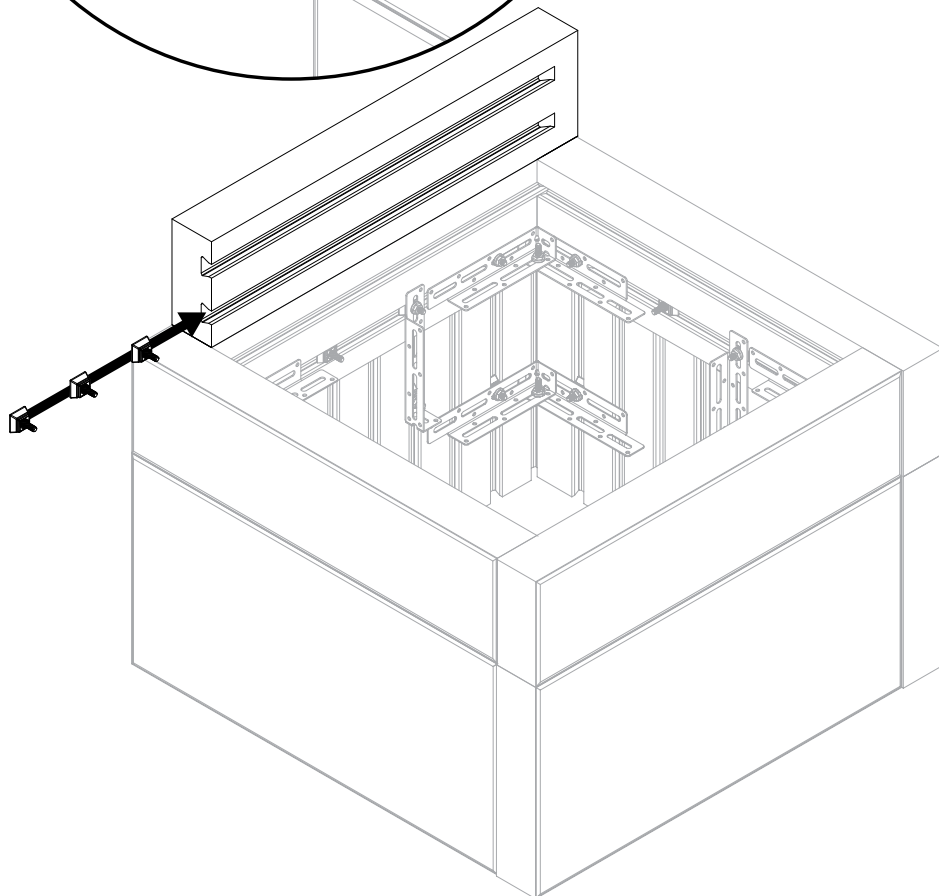
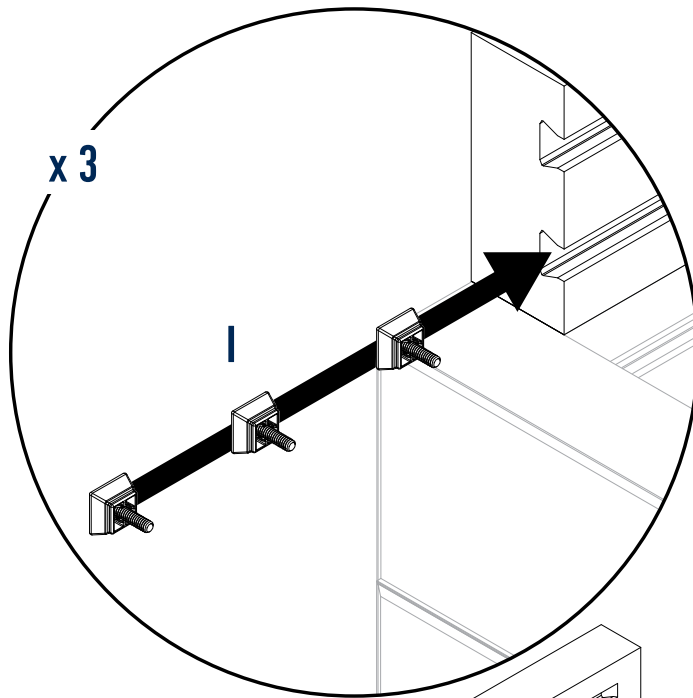


13



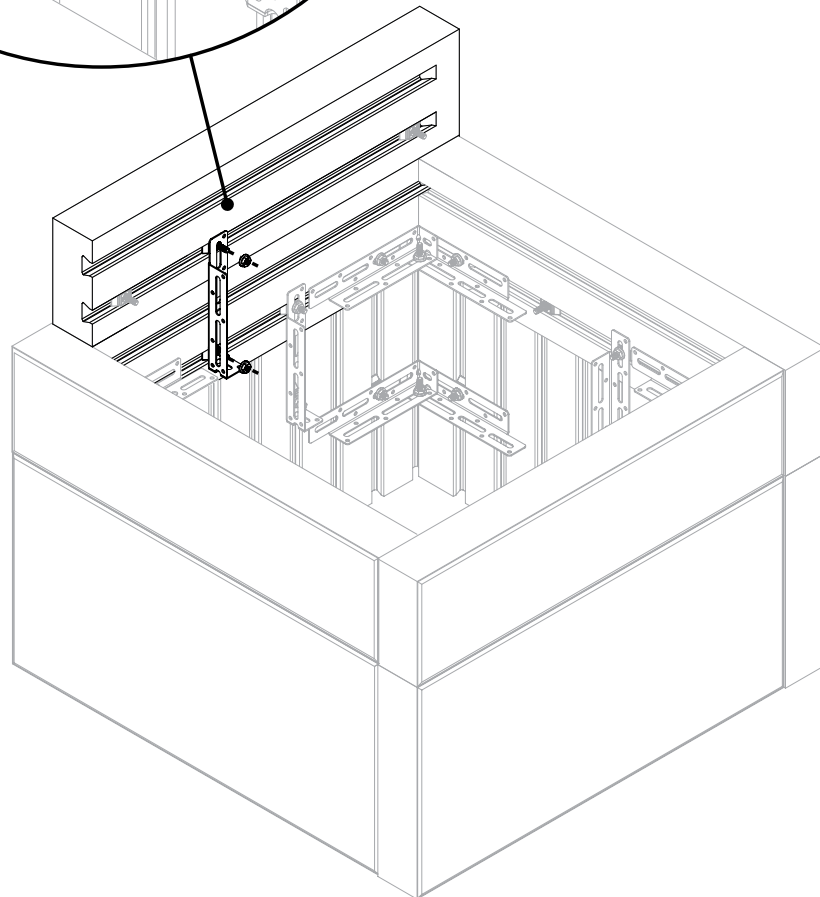
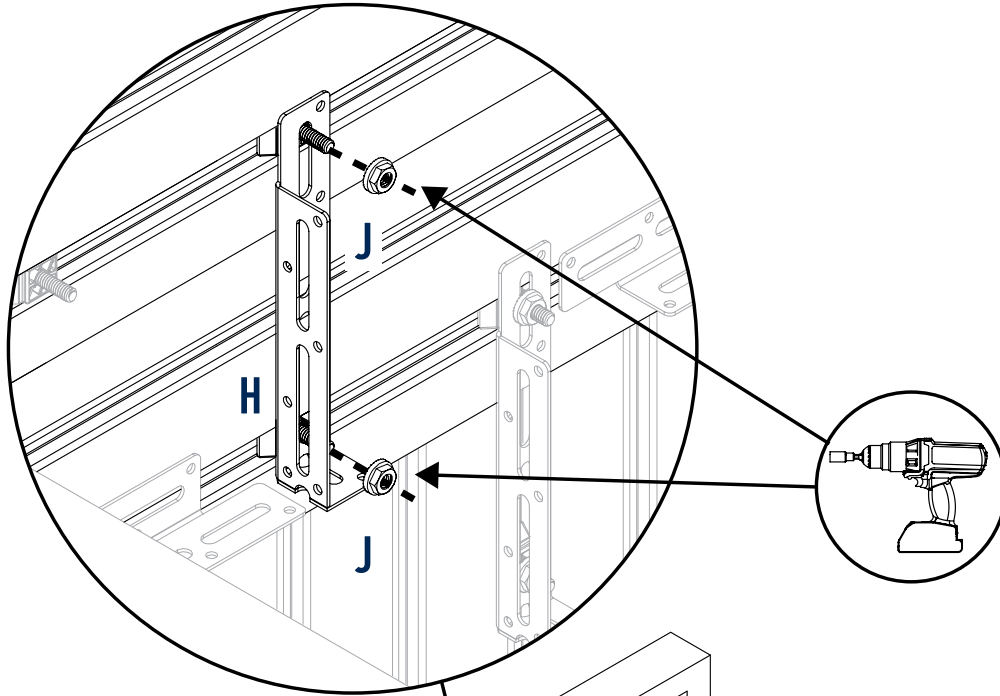


14



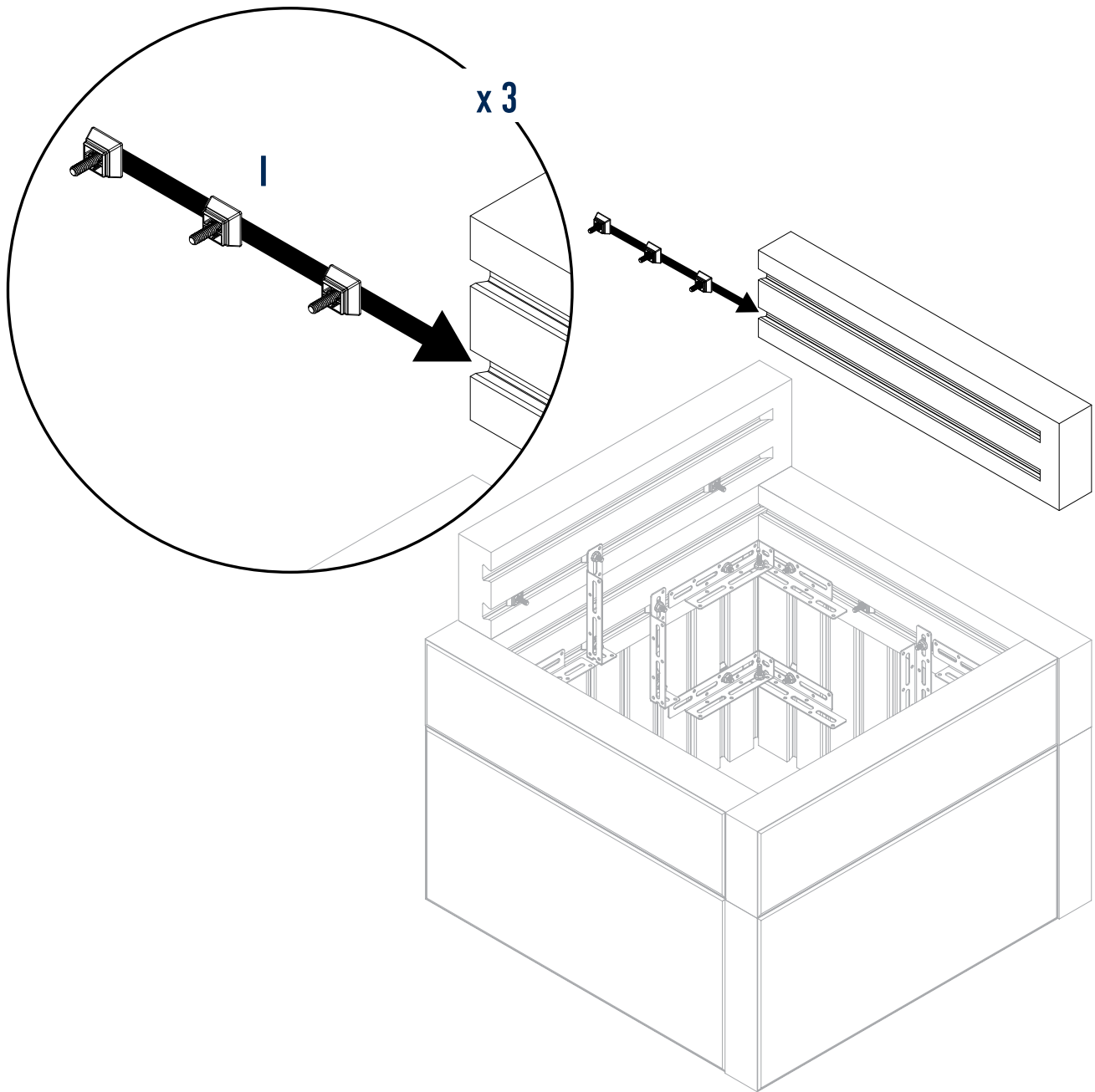


15



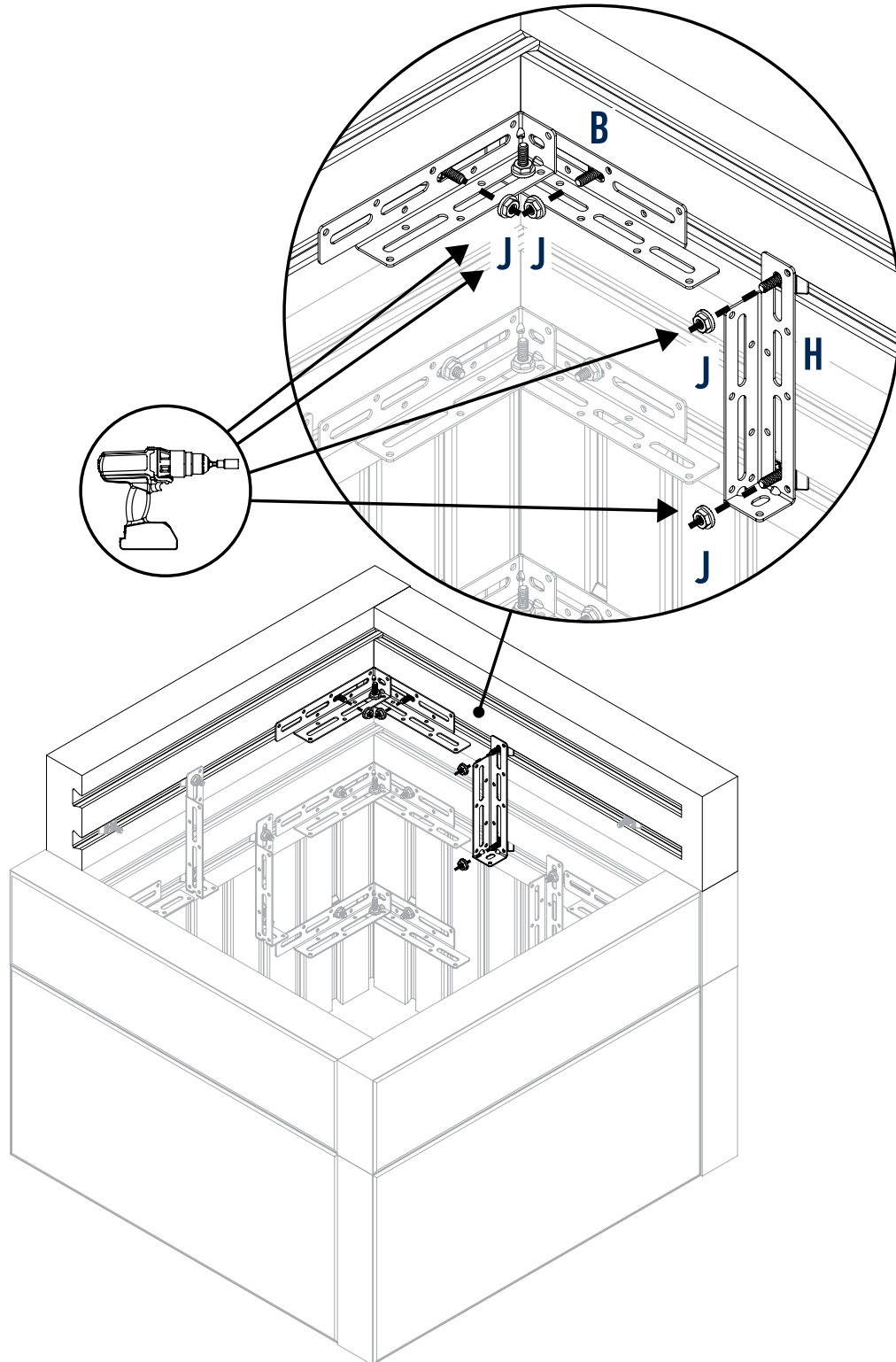


16



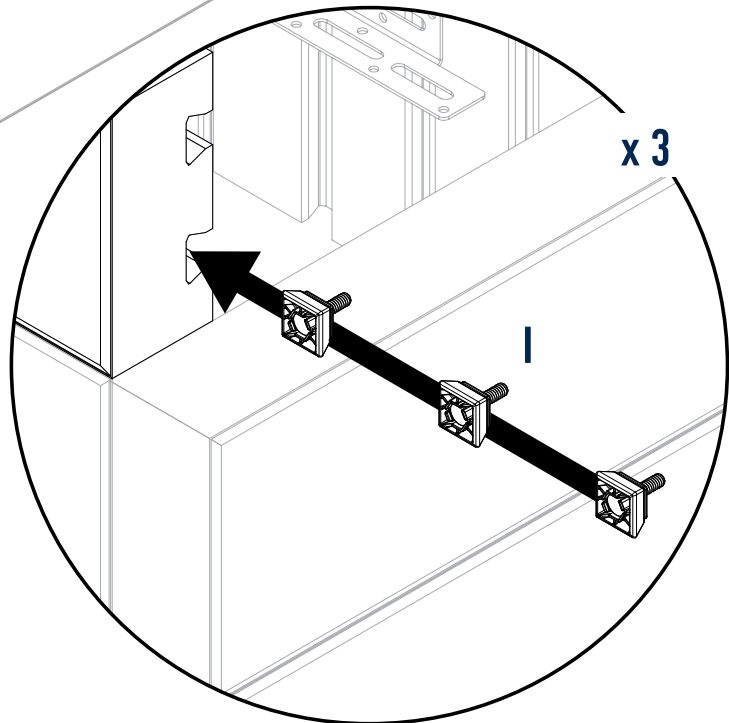
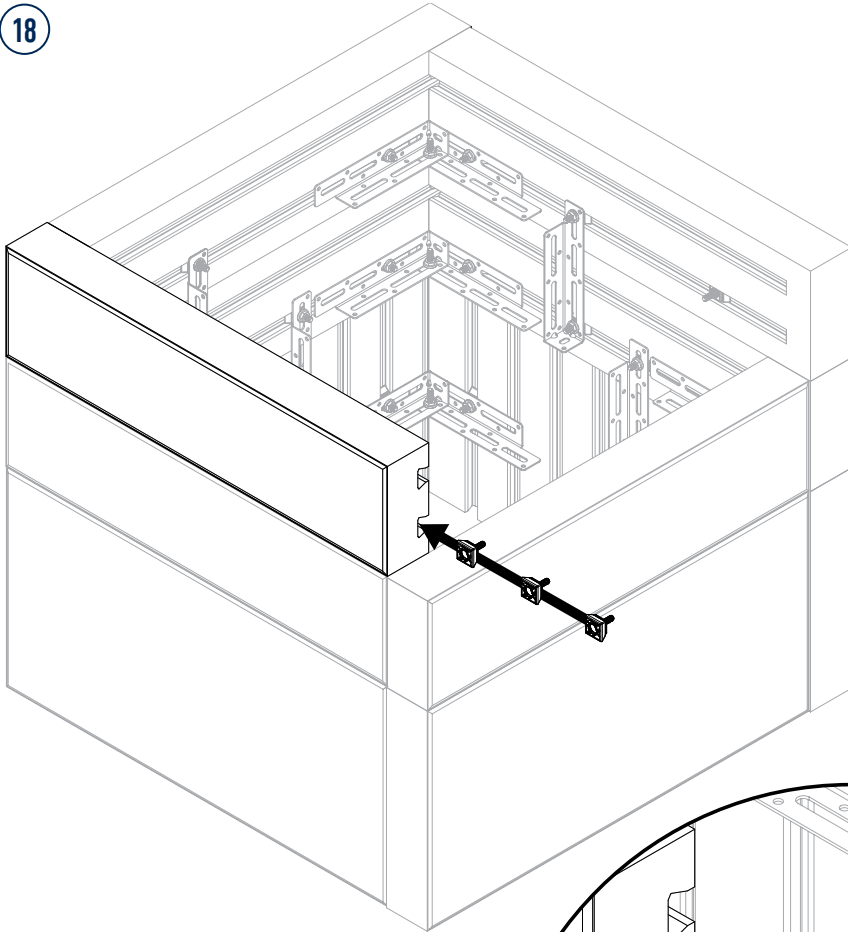


17



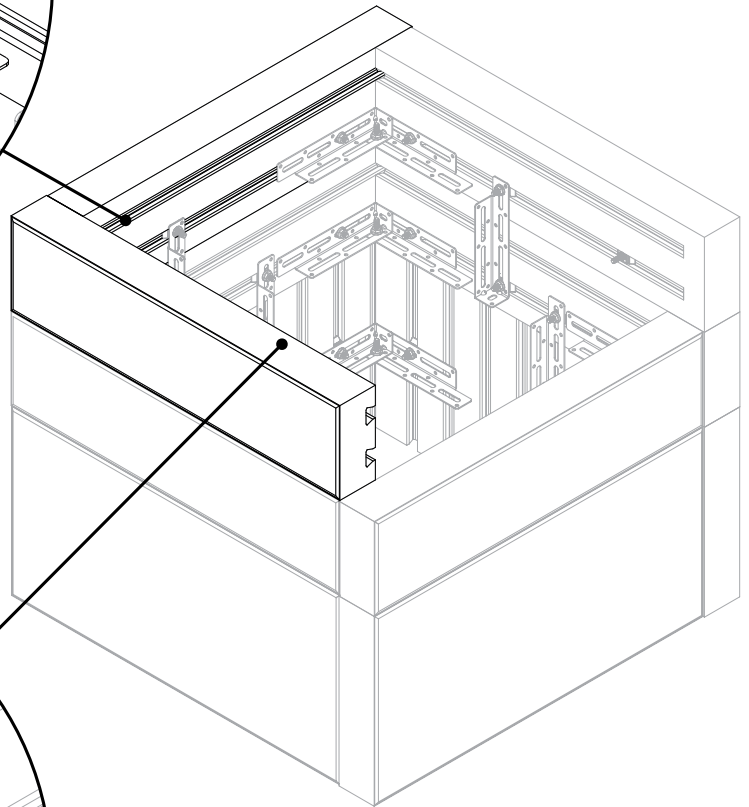
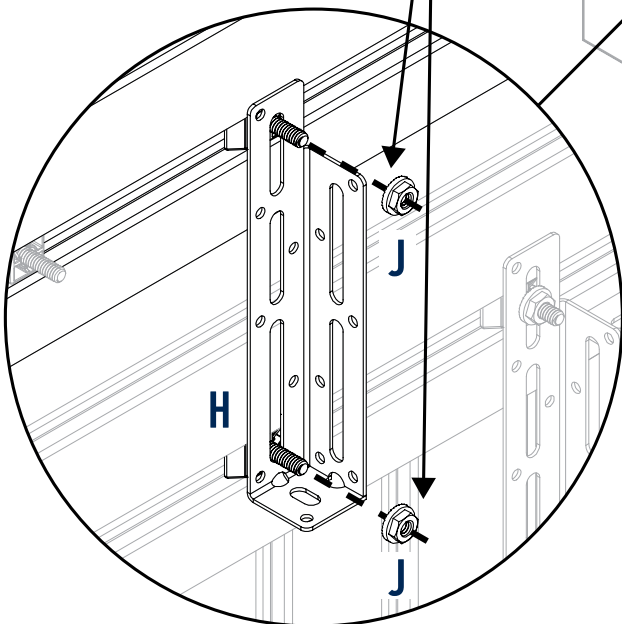
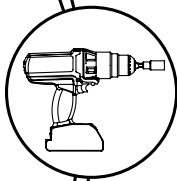
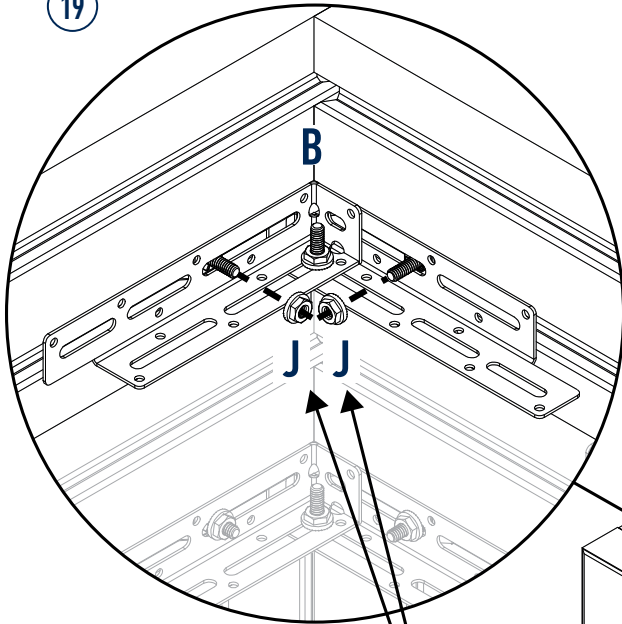


18



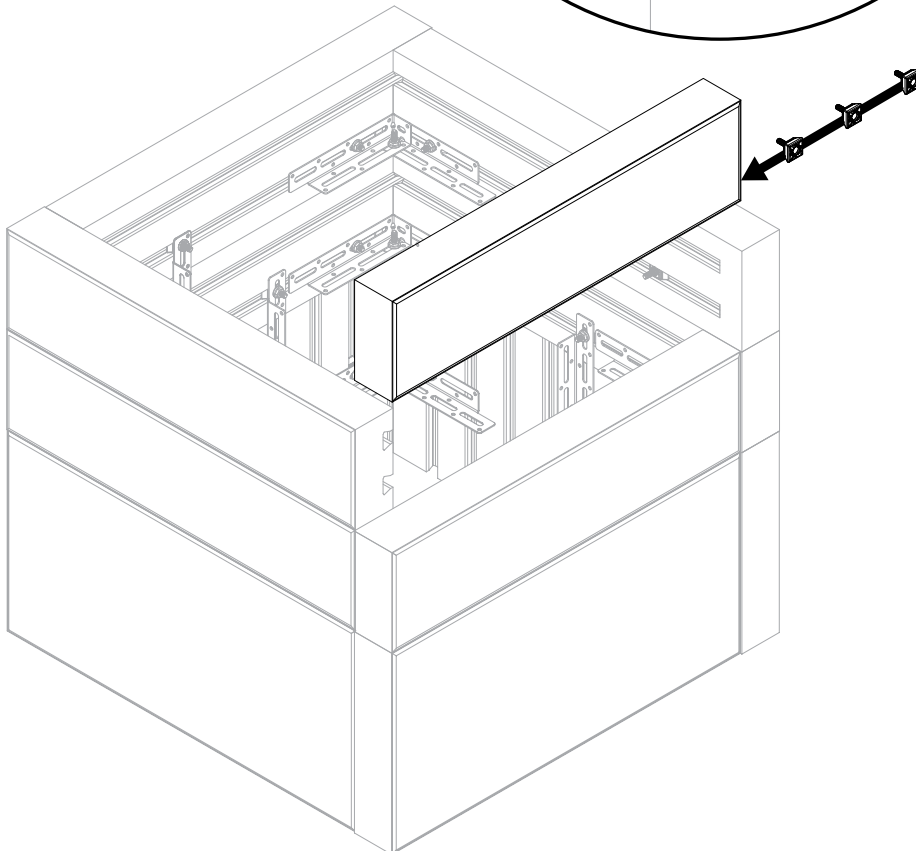
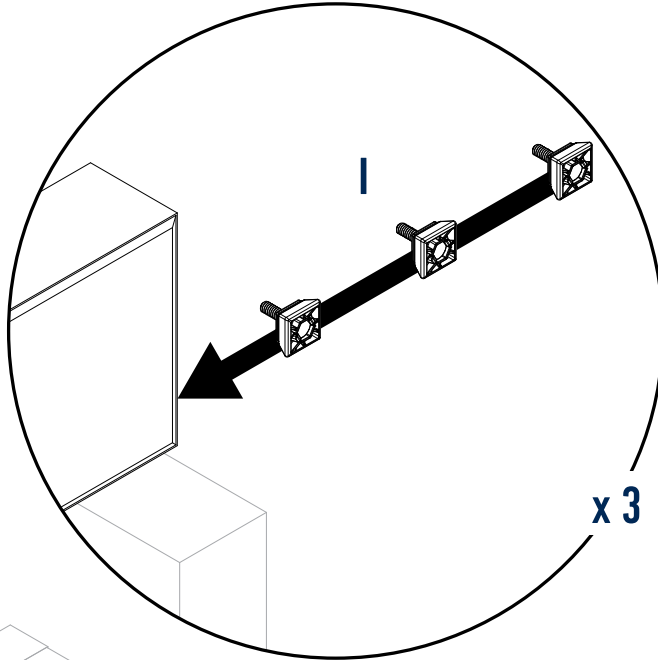


19





20





21

