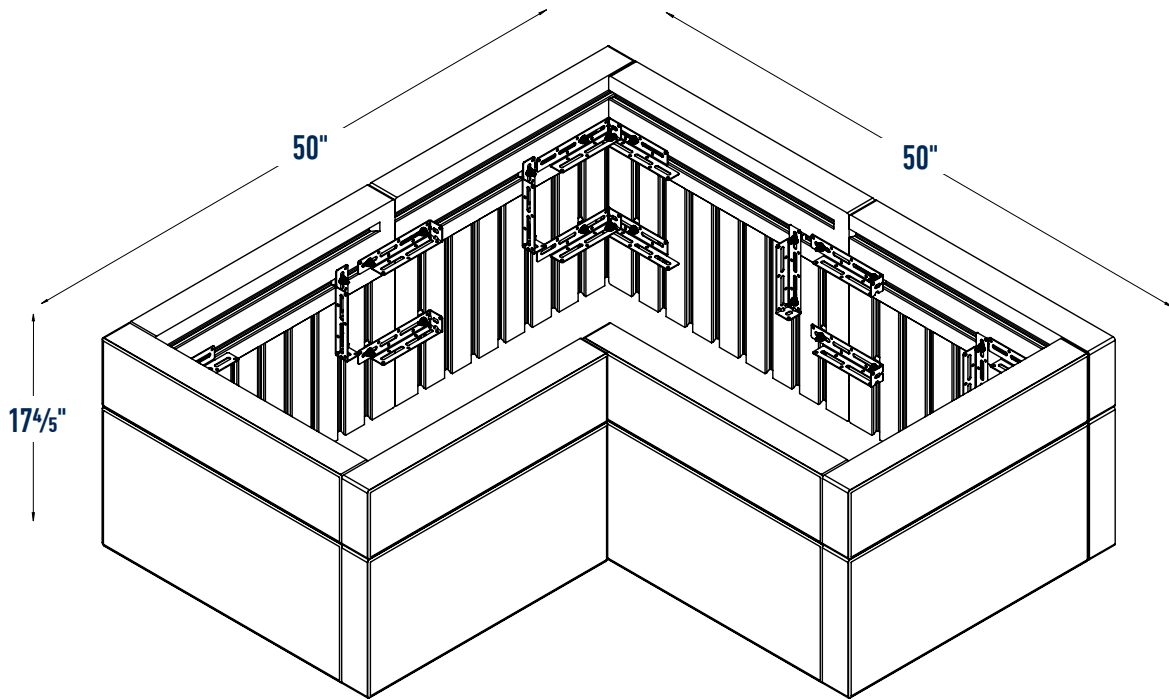




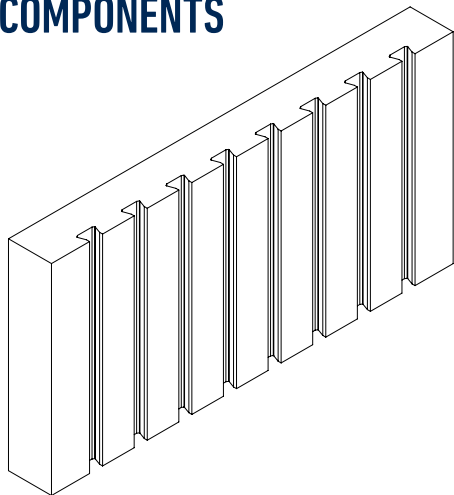
DESIGNFORMS™



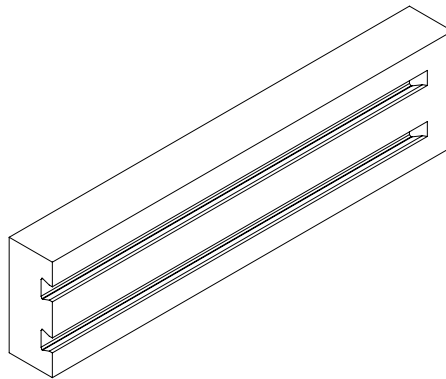
**1.5FT L-PLANTER
- CONCRETE TOP**



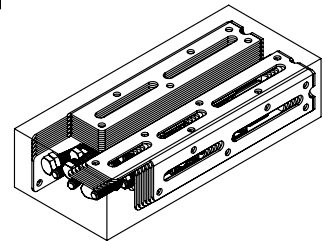
COMPONENTS



Large Panel (x8)
12" x 24"

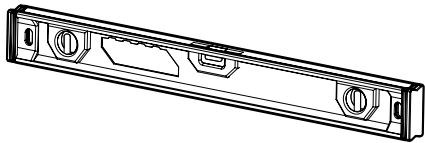


Small Panel (x8)
6" x 24"



Hardware Kit (x3)

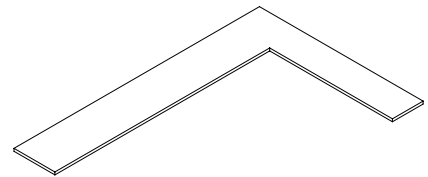
REQUIRED TOOLS



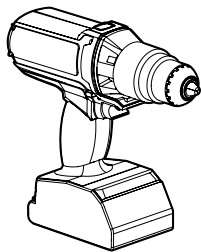
LEVEL



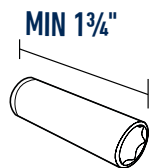
MEASURING TAPE



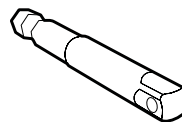
CARPENTER SQUARE



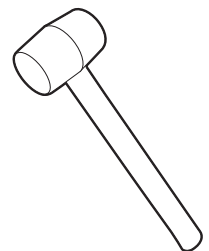
DRILL



**DEEP HEX SOCKET
7/16" WITH 1/4" DRIVE**



**SOCKET ADAPTOR
1/4" HEX SHANK TO 1/4" DRIVE**

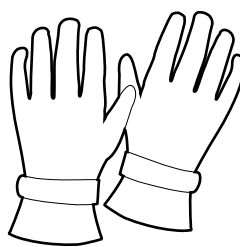


RUBBER Mallet

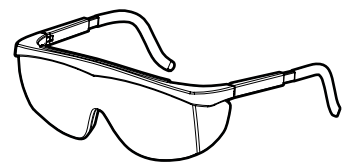
SAFETY EQUIPMENT



SAFETY BOOTS



GLOVES

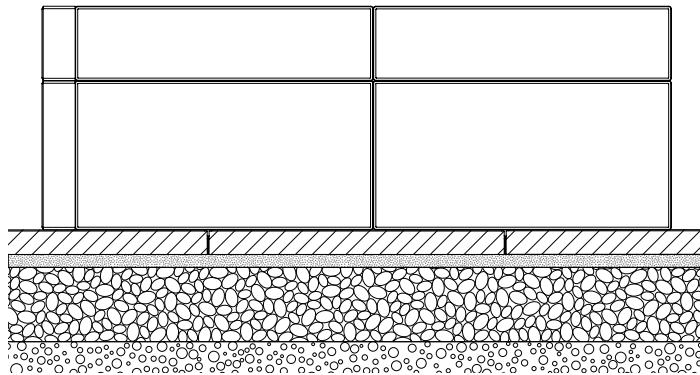


SAFETY GLASSES

BASE PREPARATION

ALWAYS LEVEL GROUND BEFORE INSTALLATION

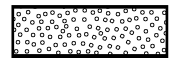
ON NEW OR EXISTING PATIO



SLAB OR PAVER



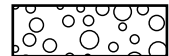
BEDDING SAND 1"



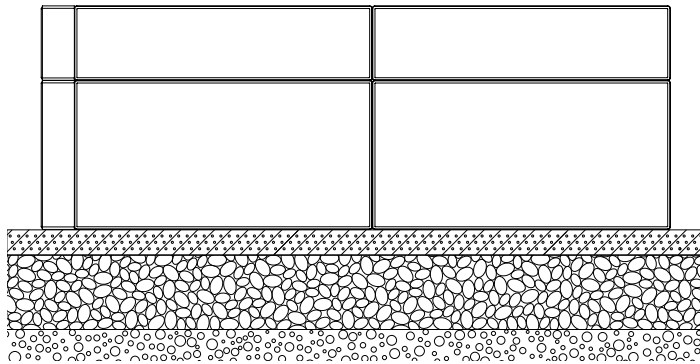
COMPACTED AGGREGATES 6" - 8"



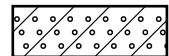
SOIL



ON POURED CONCRETE



REINFORCED POURED CONCRETE FOUNDATION 2"



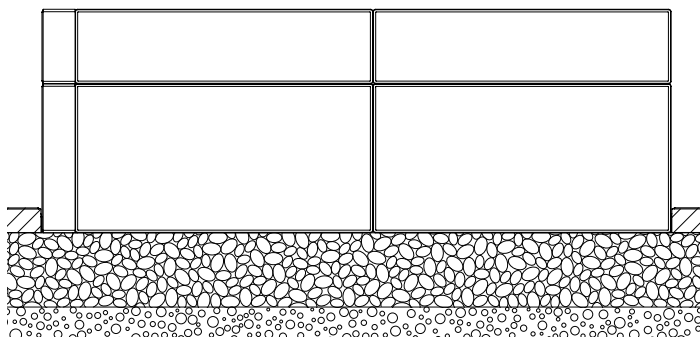
COMPACTED AGGREGATES 6" - 8"



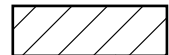
SOIL



ON COMPACTED FOUNDATION



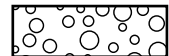
SLAB OR PAVER



COMPACTED AGGREGATES 6" - 8"



SOIL





TIPS & TRICKS

READ ALL INSTRUCTIONS BEFORE ASSEMBLY

PREBUILD:

- Prebuild all hardware prior to starting build.
- When assembling hardware SNAP the bolt into place with the plastic sliders. Pressing down on something flat and hard will help. (Fig. A)
- Do not over hand tighten the slider/bolt piece and the nut on the completed brackets. They should be loosely attached so they slide into the channels on the panels. Leave a space of ¼ in. (Fig. B)

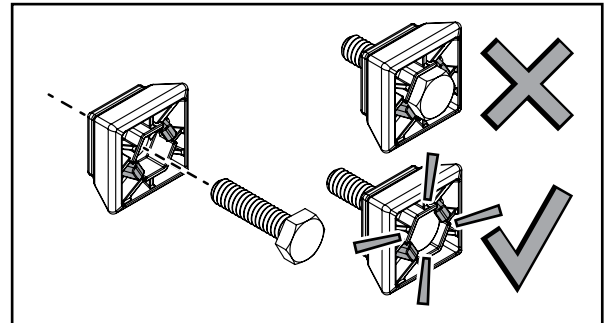


Fig. A

INSTALL:

- Always start in the corner when starting a build. (Fig. C)
- Set the drill clutch (torque) at a low level to deliver a torque range of 50-65lbs per inch. Refer to your drill manual for torque adjustment instructions.
- Use a rubber mallet to assist with moving/aligning/adjusting panel placement during assembly.

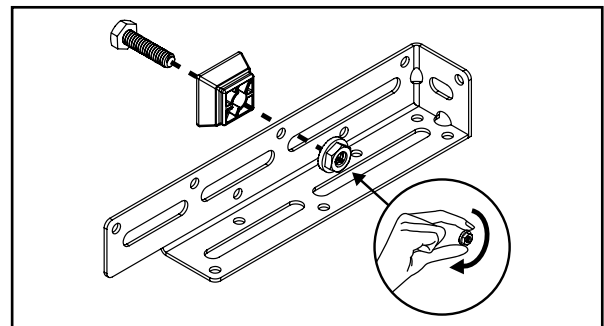


Fig. B

WHEN BUILDING WOODEN COMPONENTS:

- Do not exceed prescribed length. Exact measurements are required for proper assembly.
- Ensure your cuts are straight.
- Do not over tighten the screws into the wood - this can cause buckling.
- Pre-drill holes for 45° corner assemblies.
- Use cedar or pressure treated wood for outdoor use.
- Seal wooden components for prolonged use.

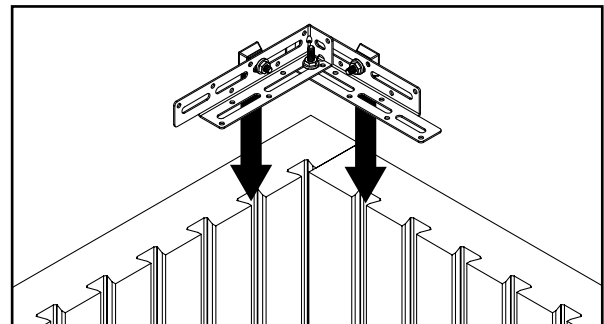


Fig. C

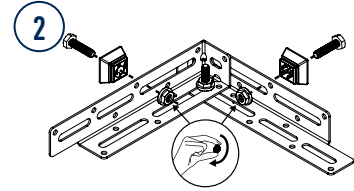
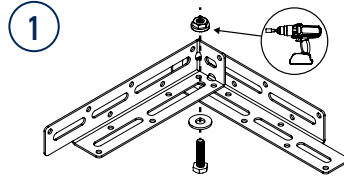
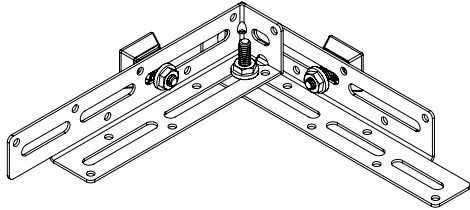
WHEN BUILDING PLANTERS:

- Line the inside of the planters or garden beds with a geotextile fabric to help with water management.



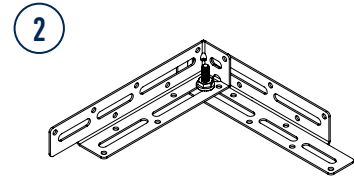
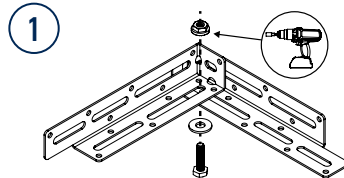
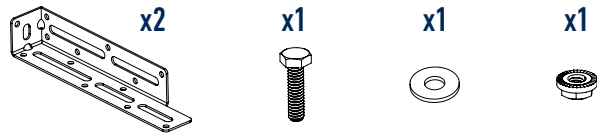
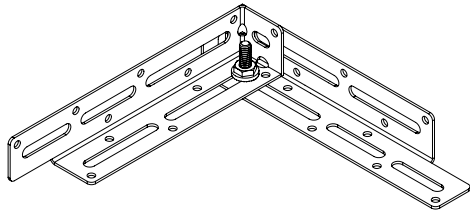
BRACKET A

x5



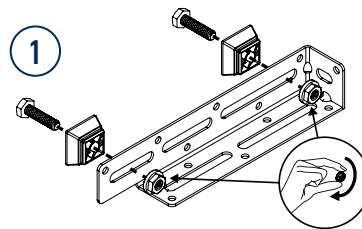
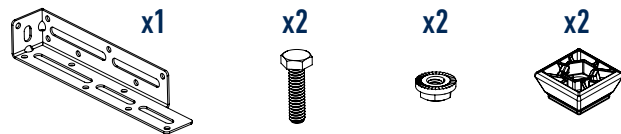
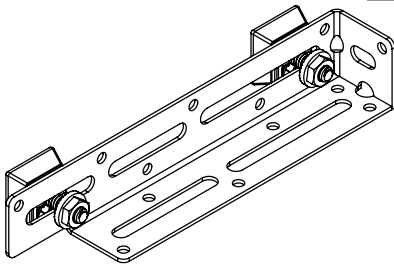
BRACKET B

x5



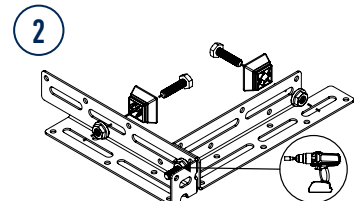
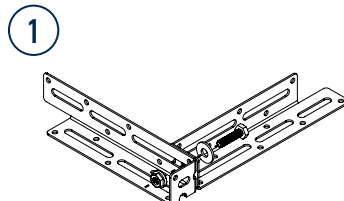
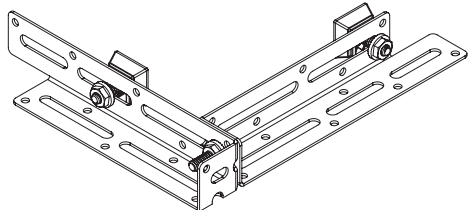
BRACKET C

x2



BRACKET F

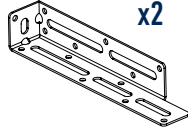
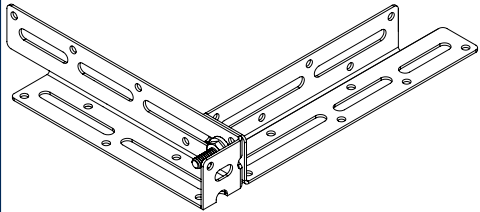
x1



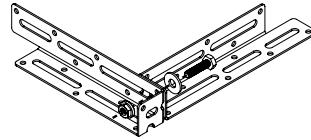


BRACKET G

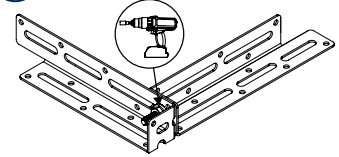
x1



1

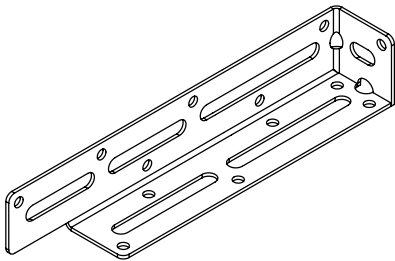


2



BRACKET H

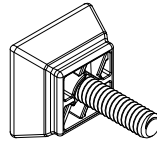
x10



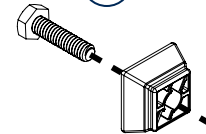
ASSEMBLY I

x32

Use with
BRACKETS B and H
during build



1



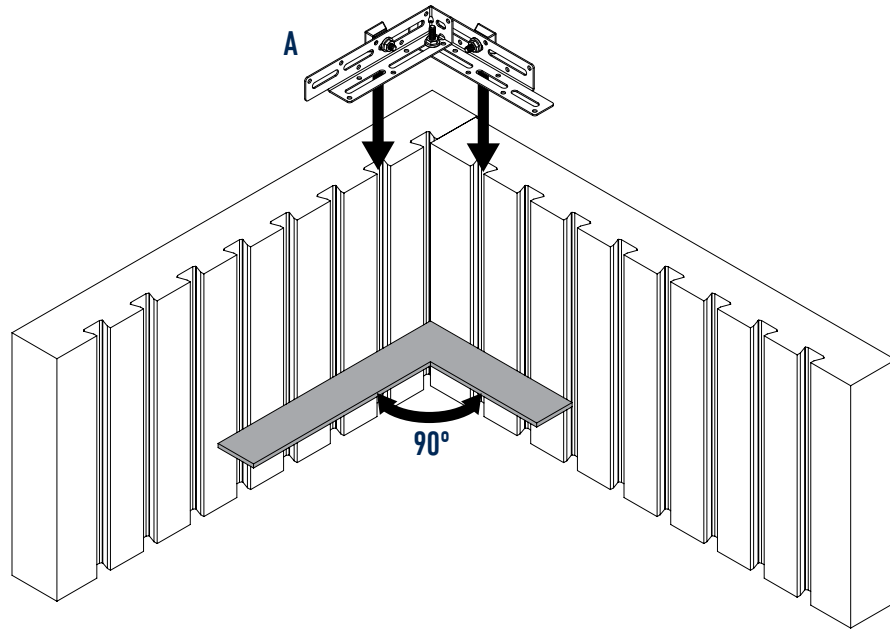
J

x32

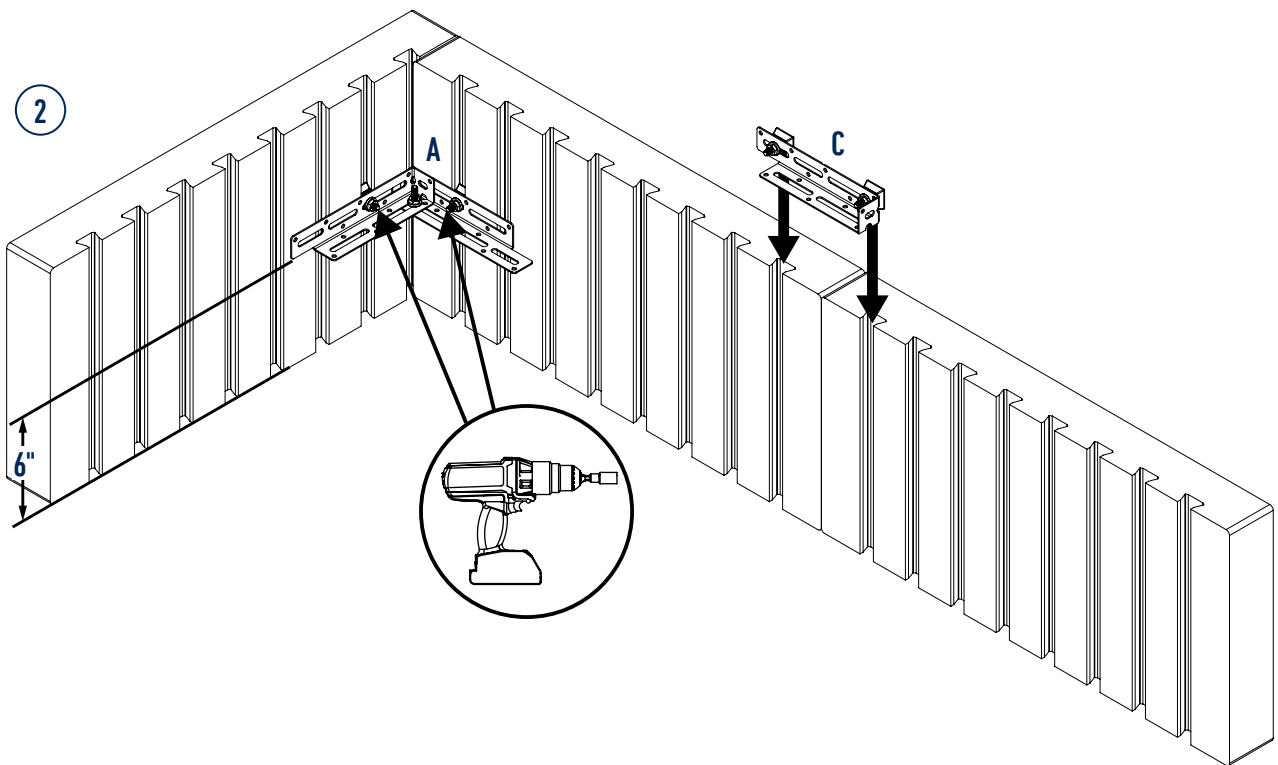




1

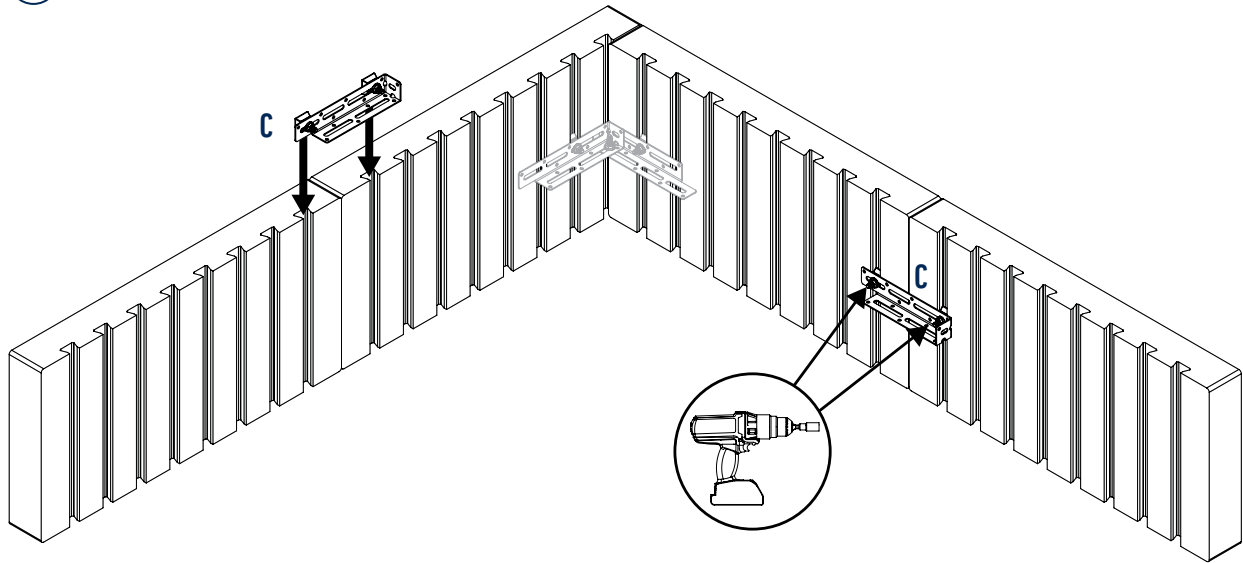


2

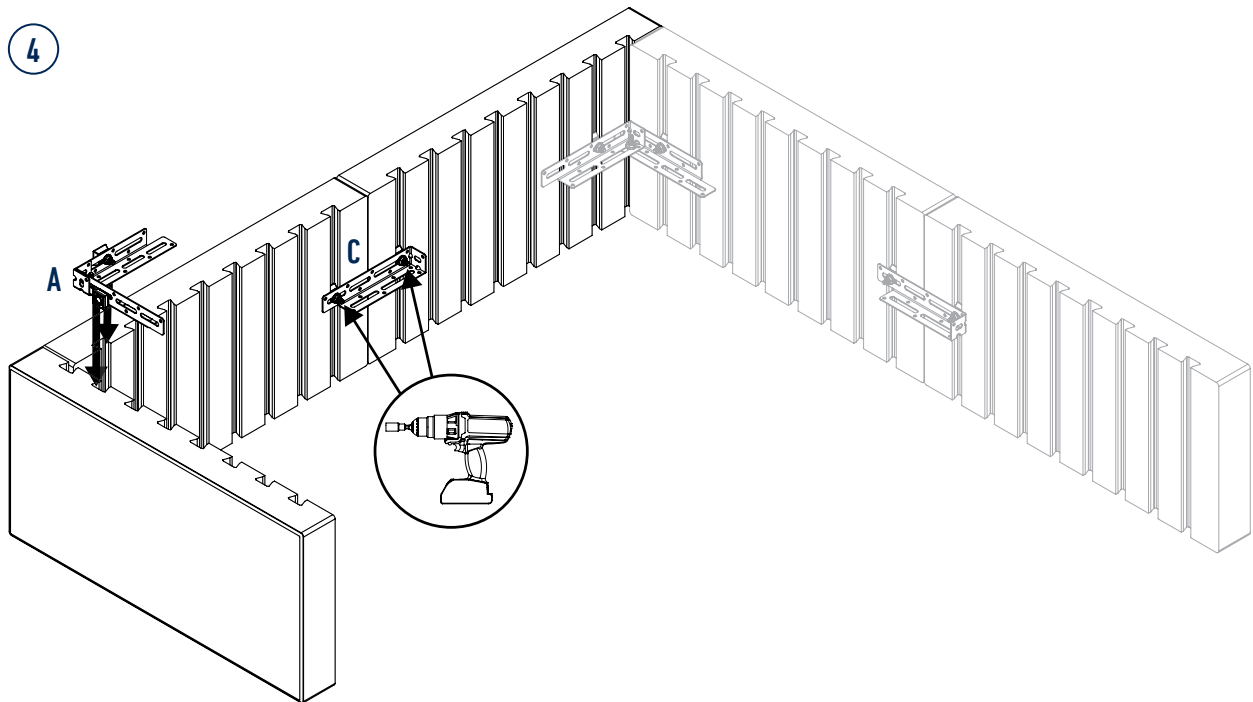




3



4

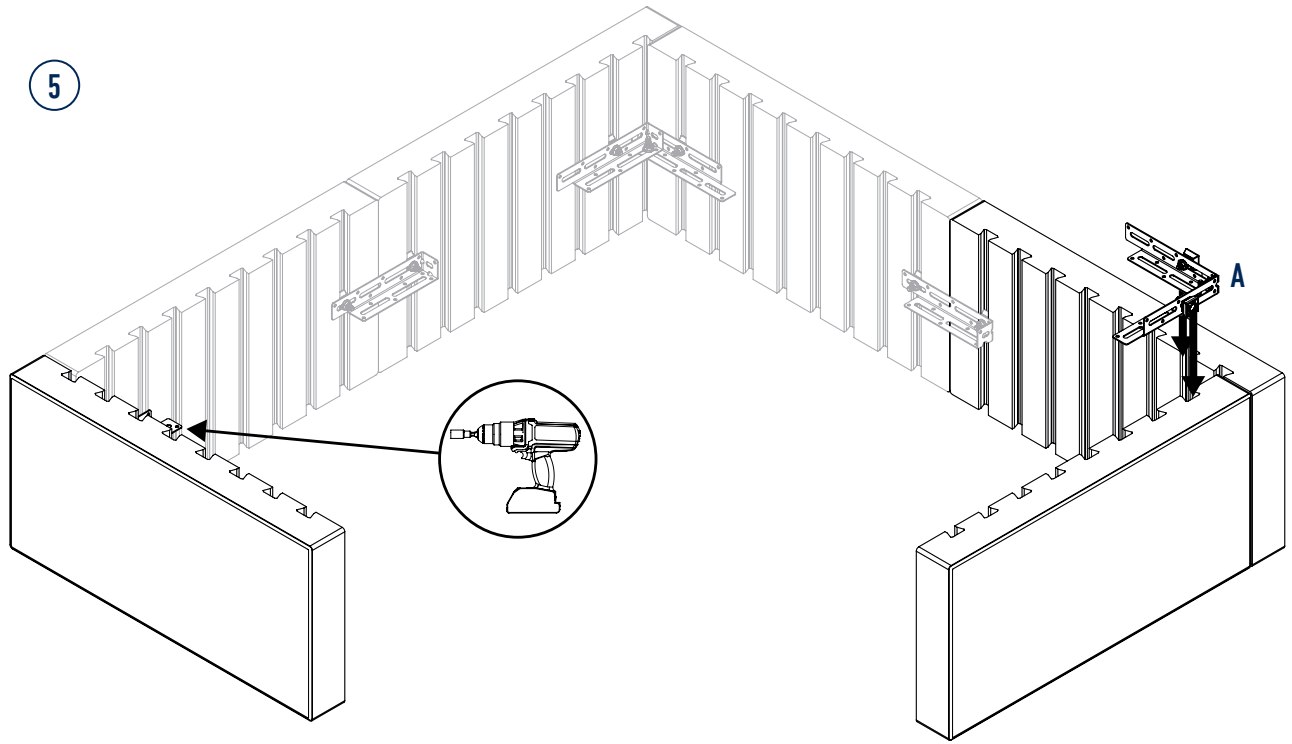




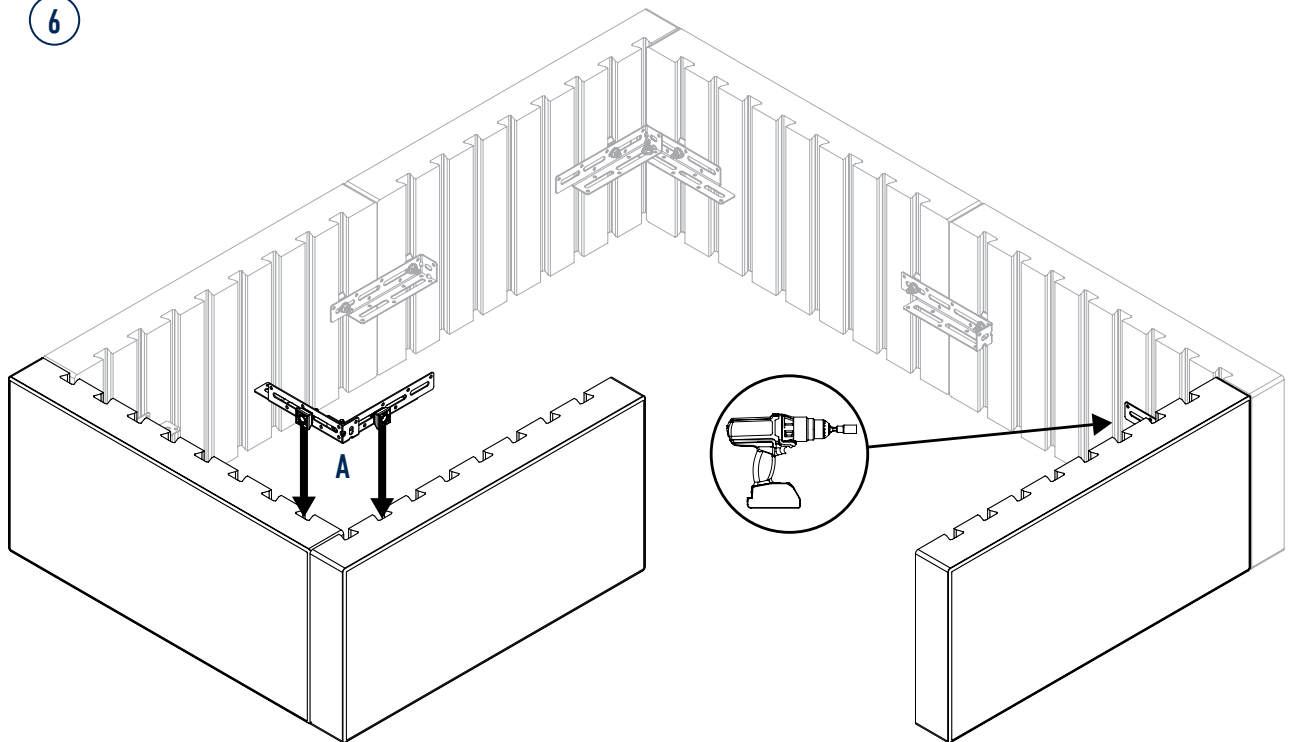
DESIGNFORMS™

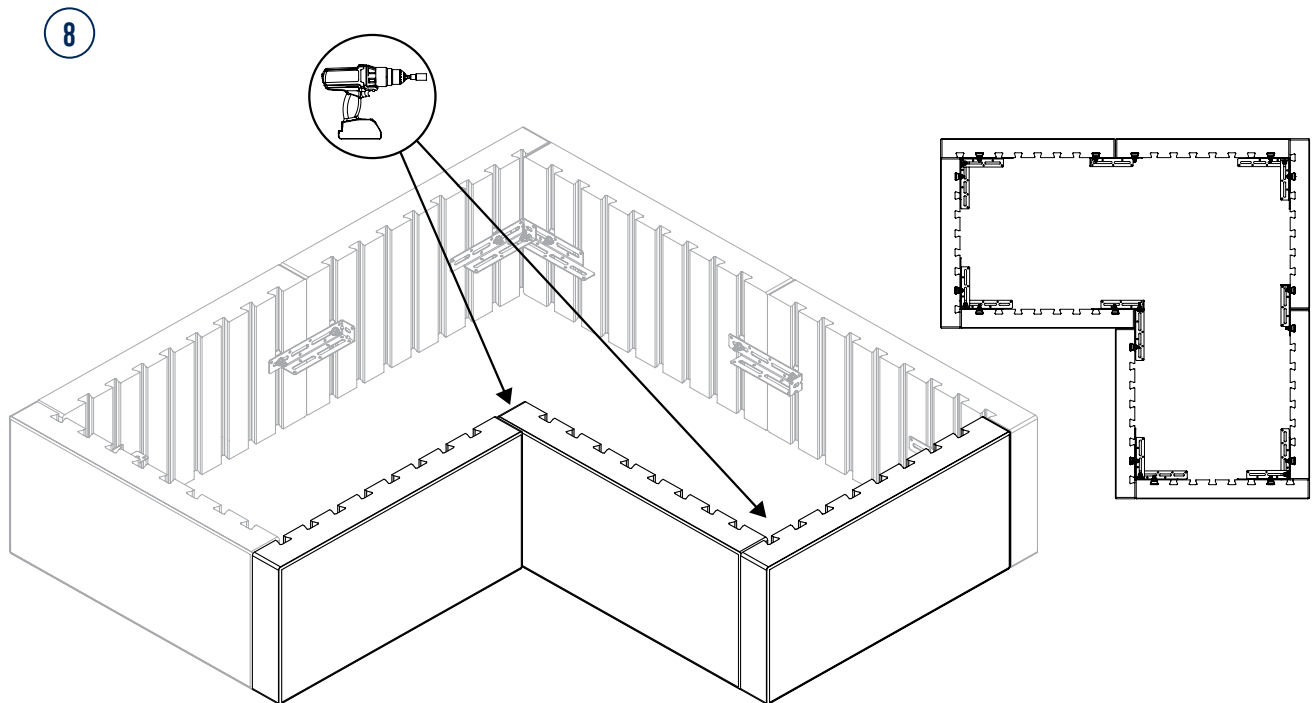
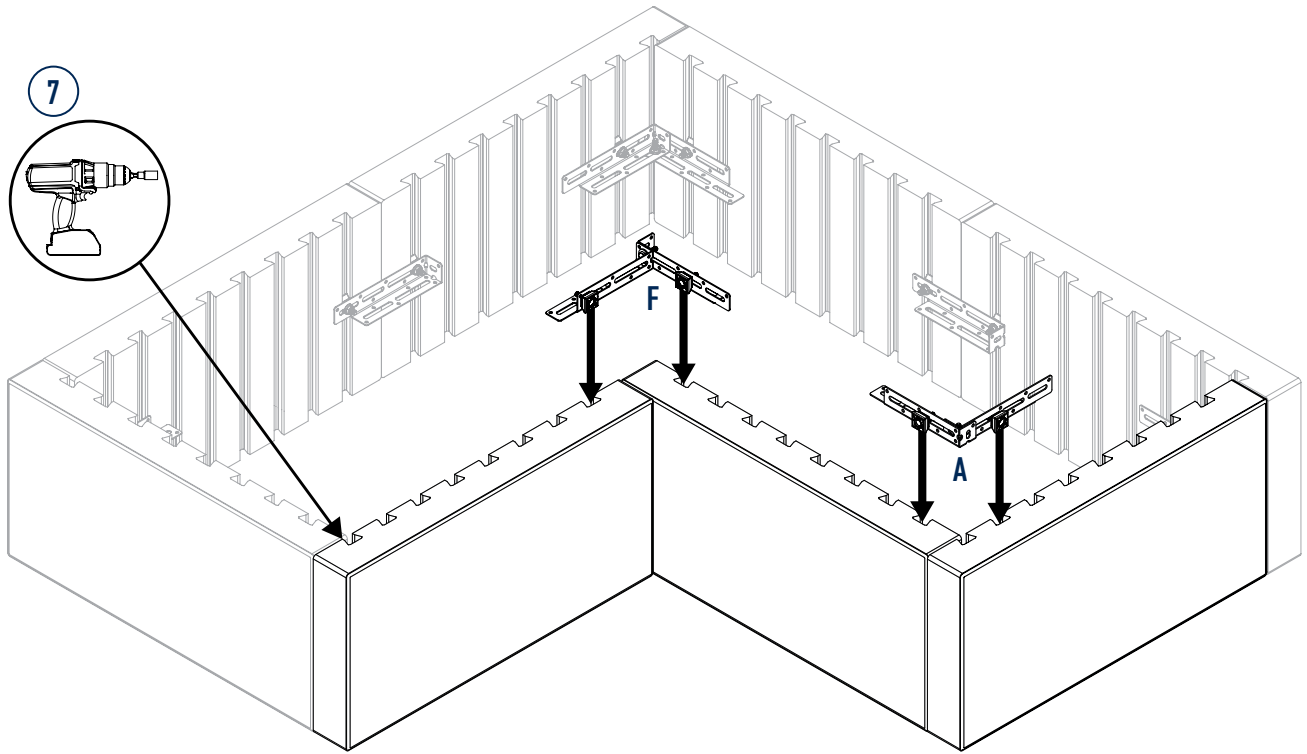
1.5FT L-PLANTER - CONCRETE TOP

5



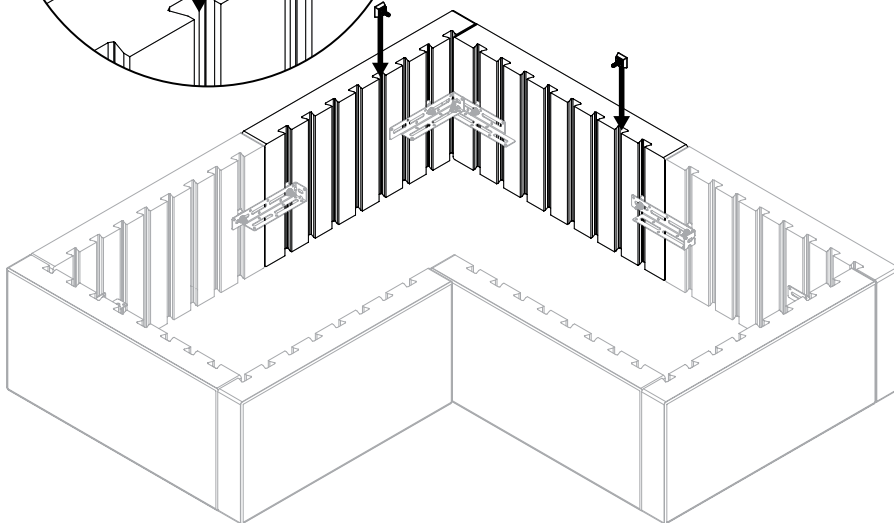
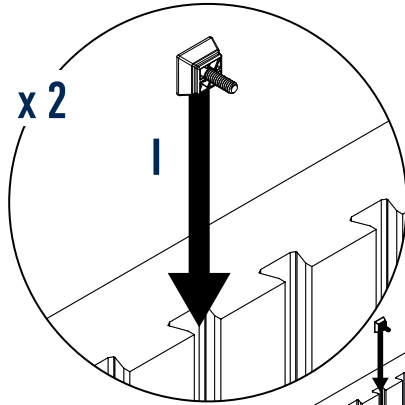
6



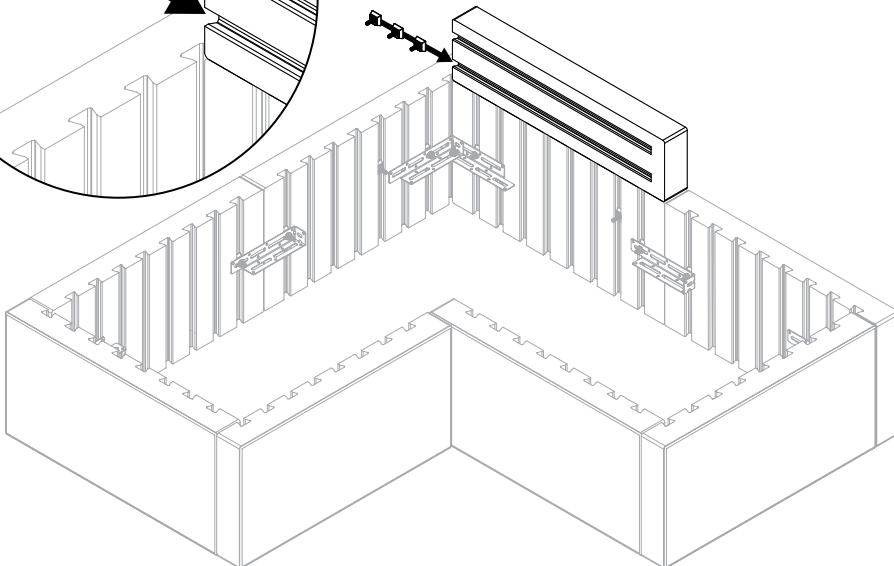
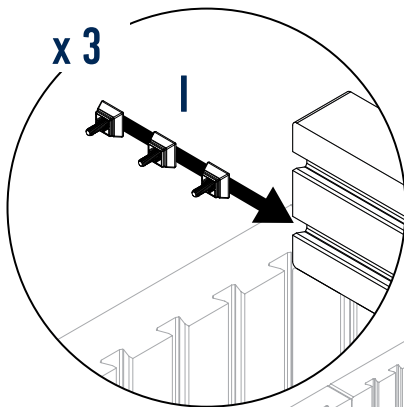




9

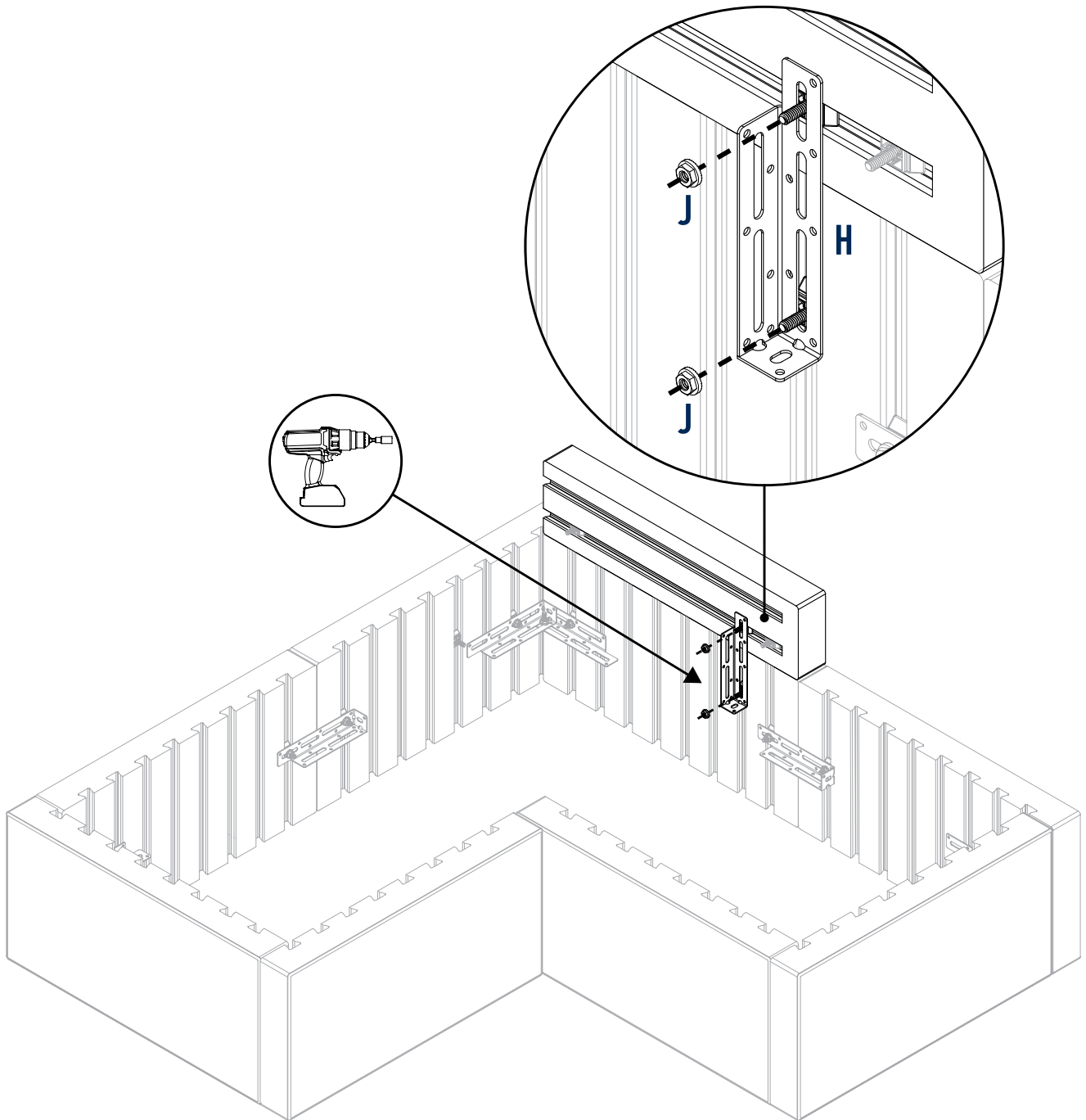


10



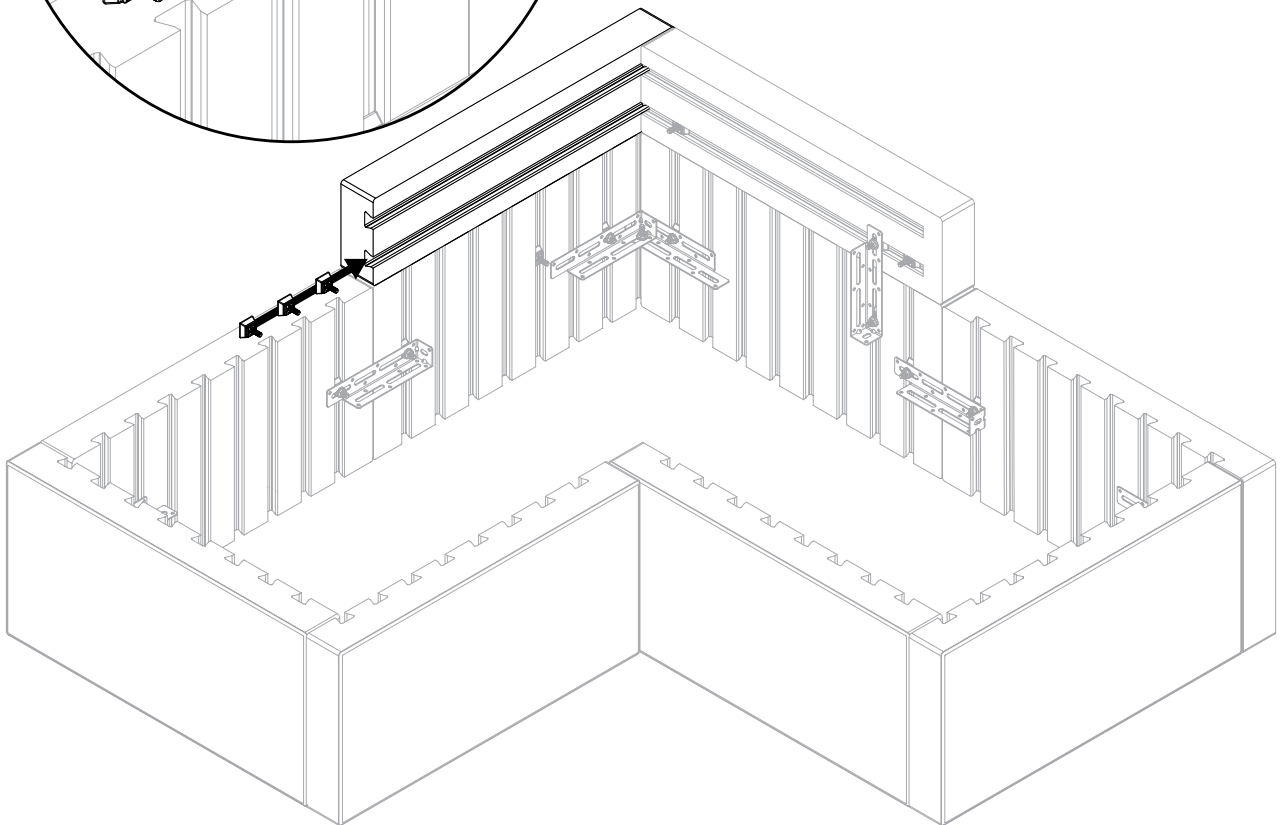
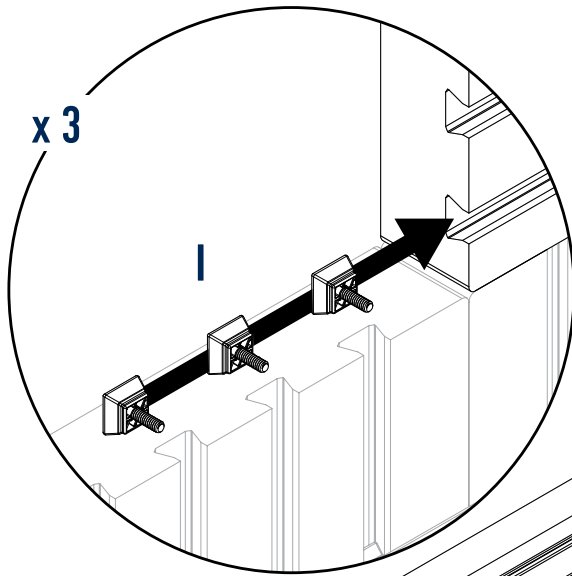


11



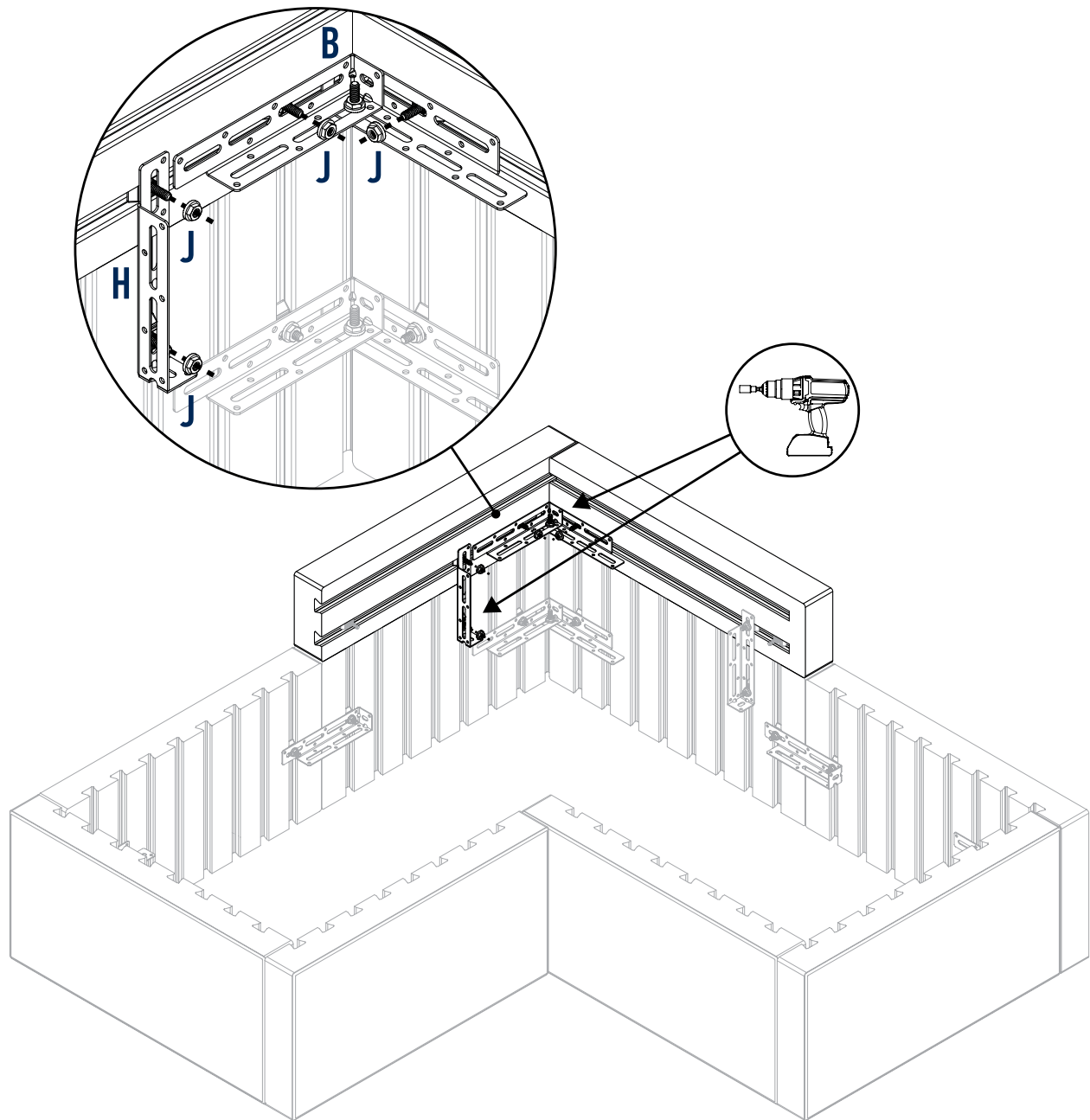


12



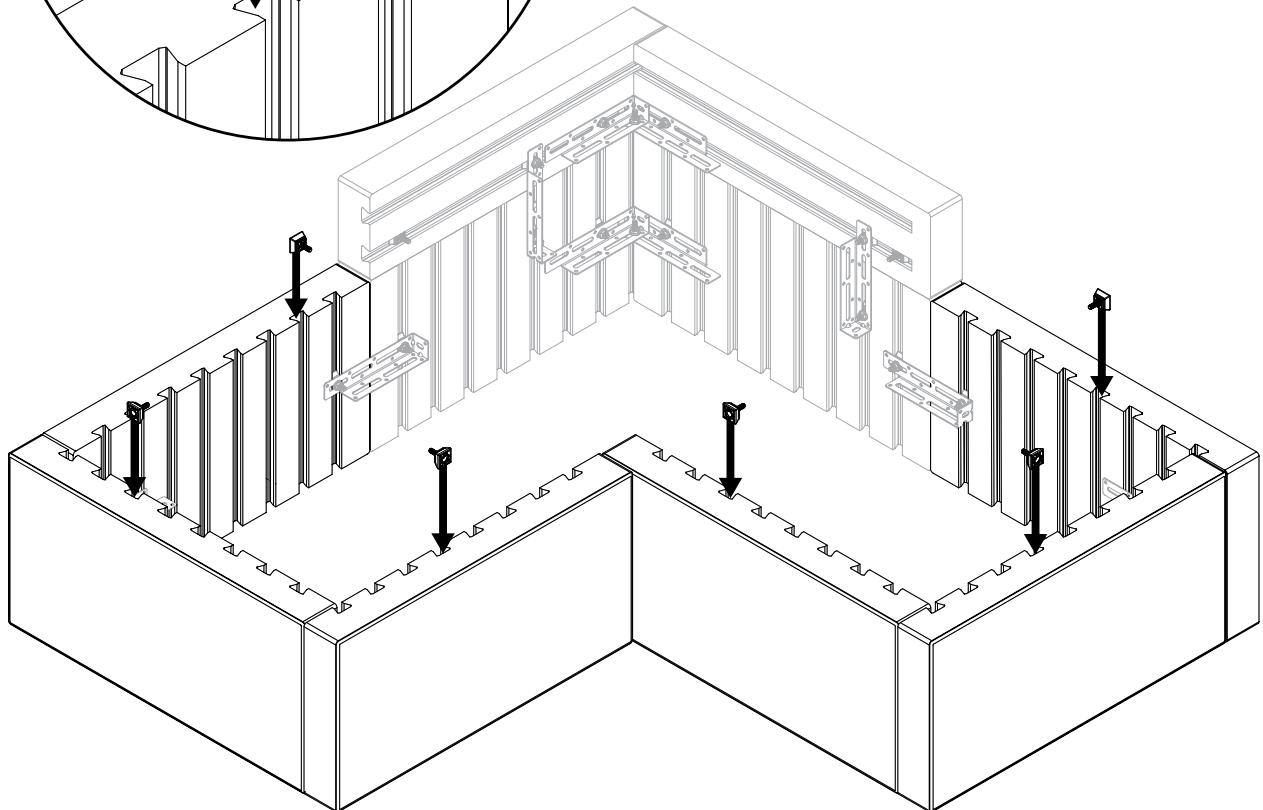
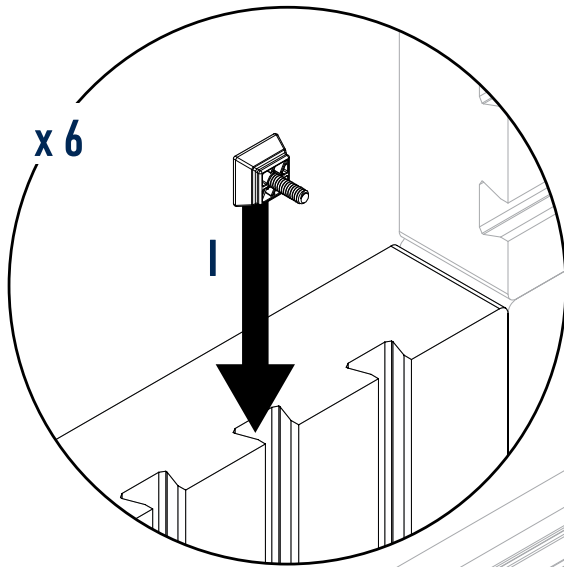


13





14

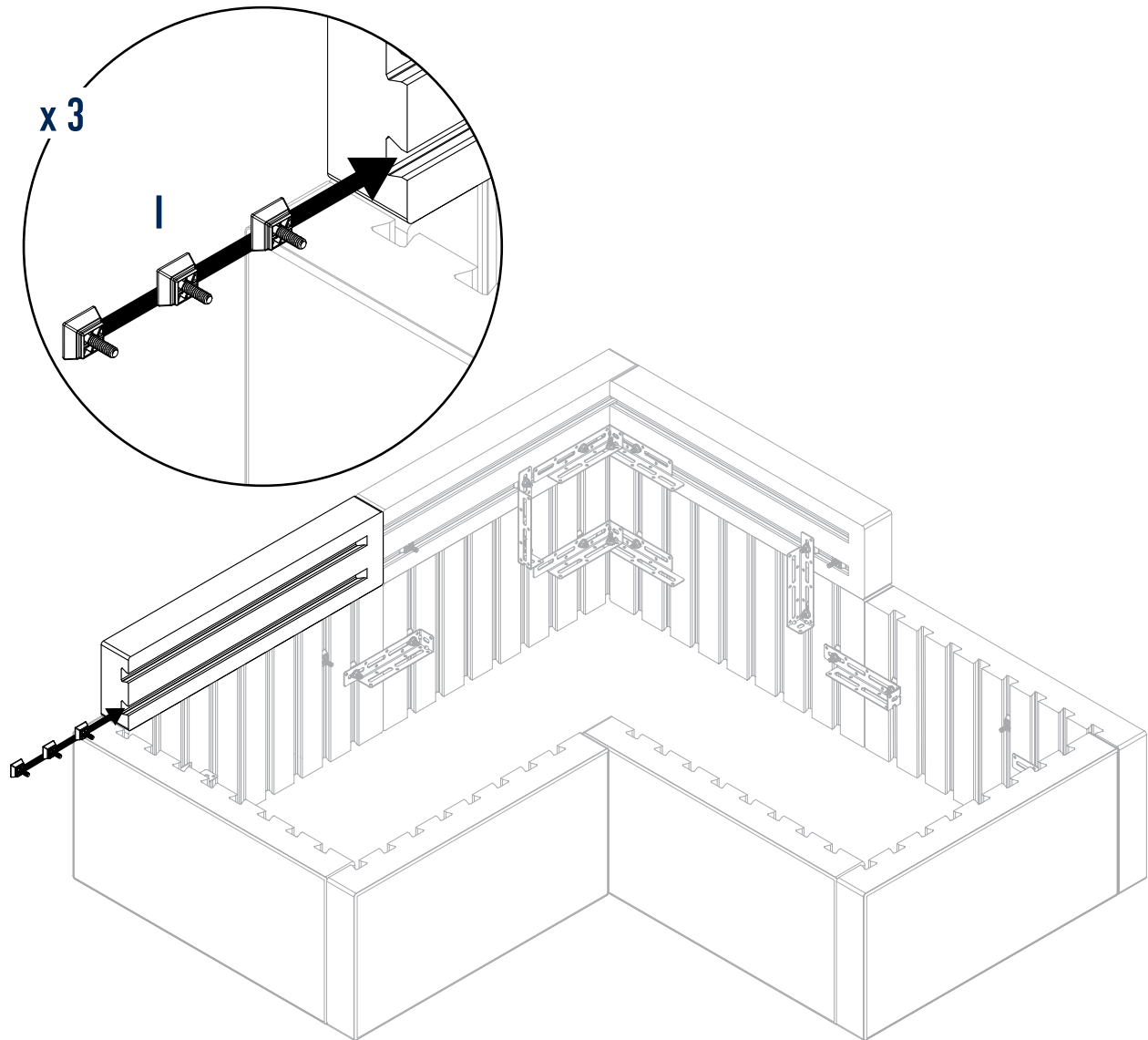




DESIGNFORMS™

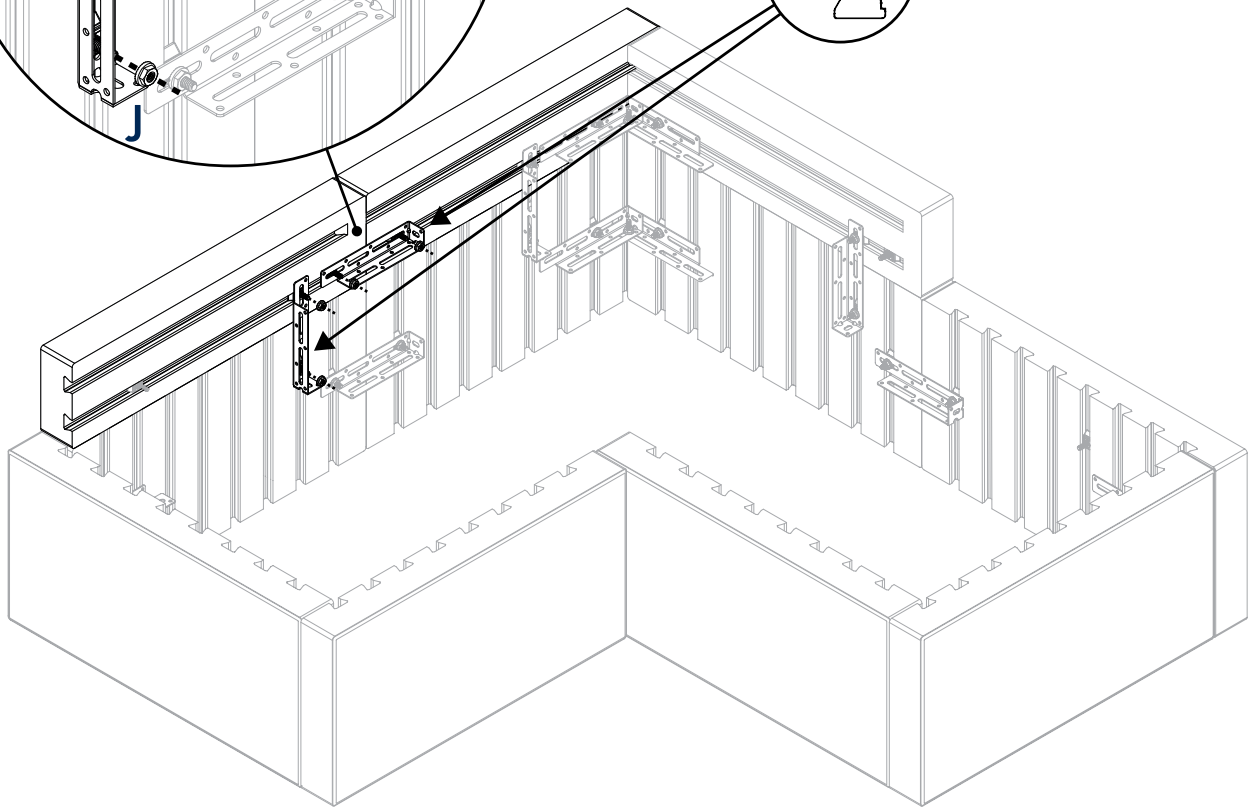
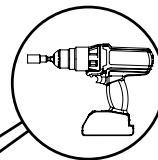
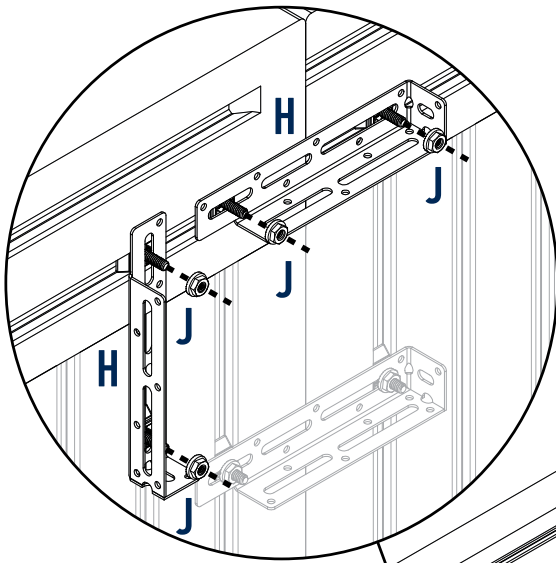
1.5FT L-PLANTER - CONCRETE TOP

15



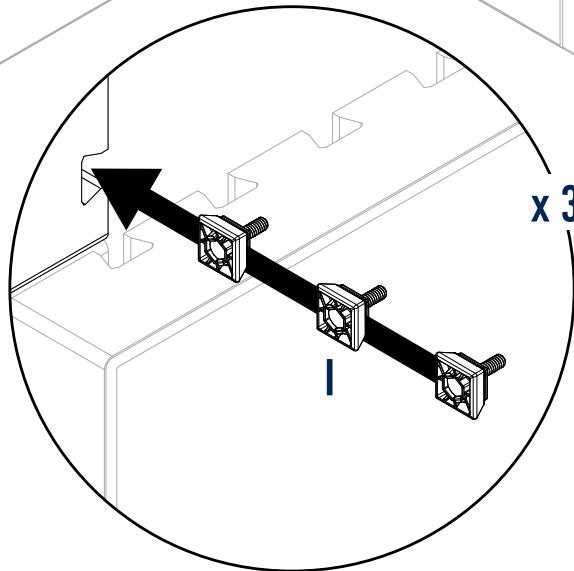
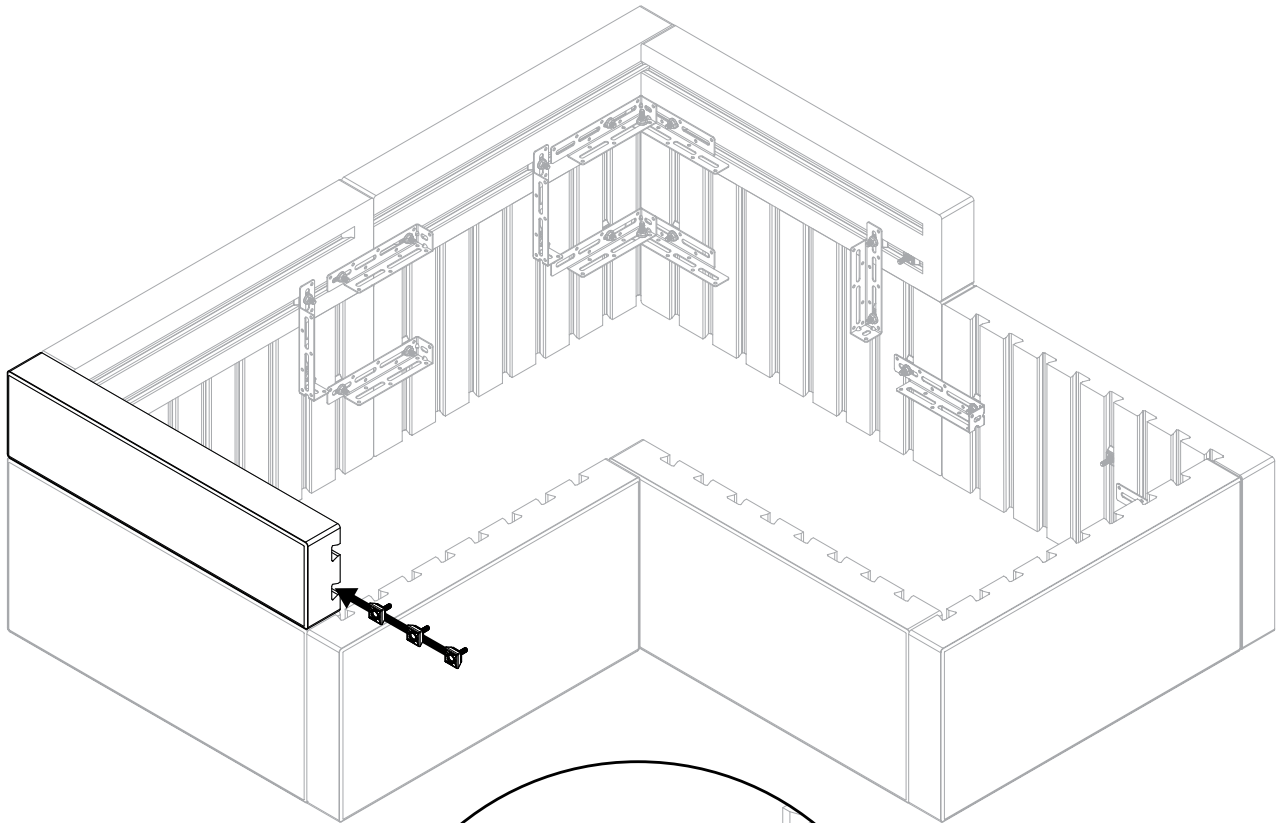


16



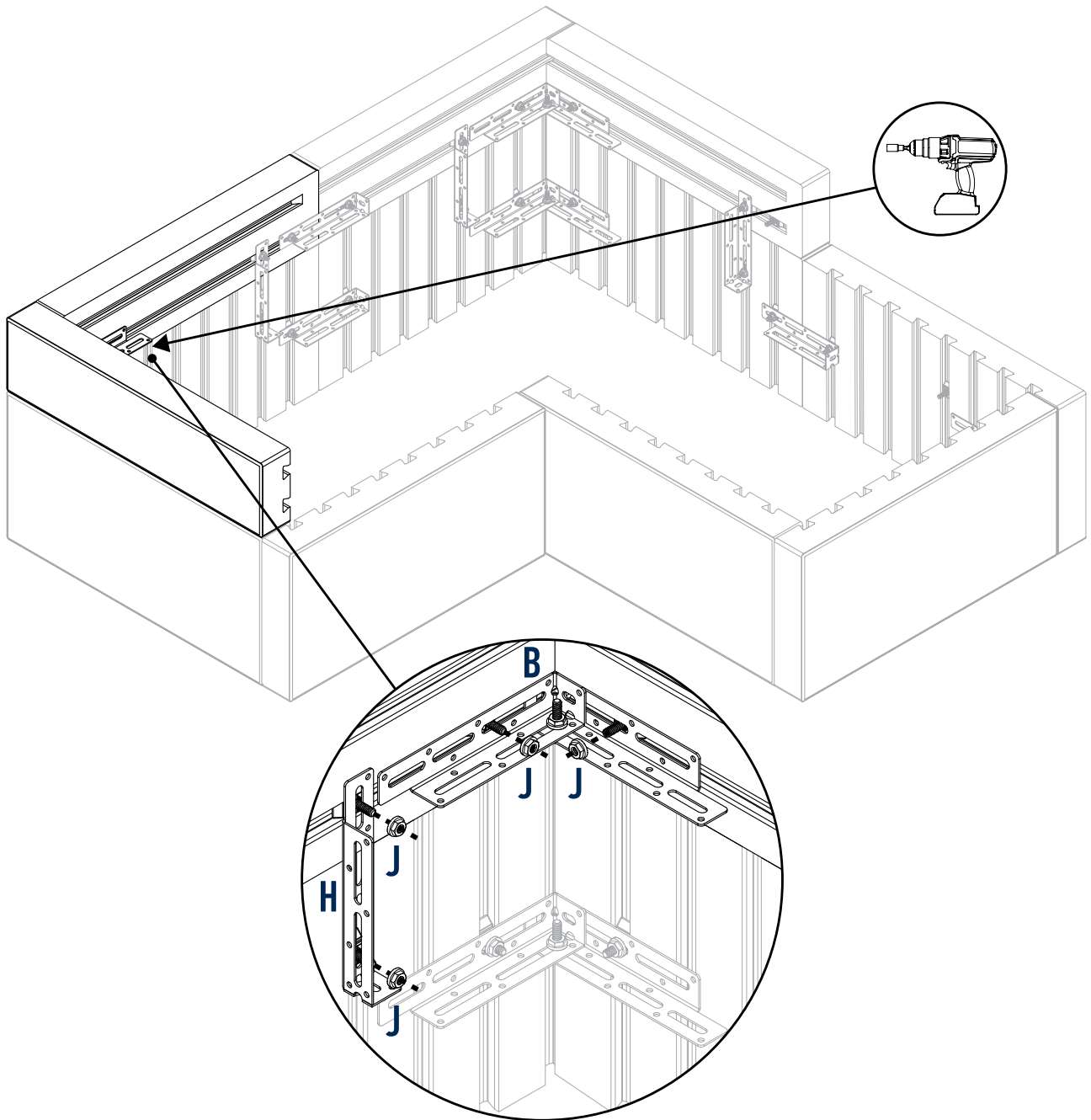


17



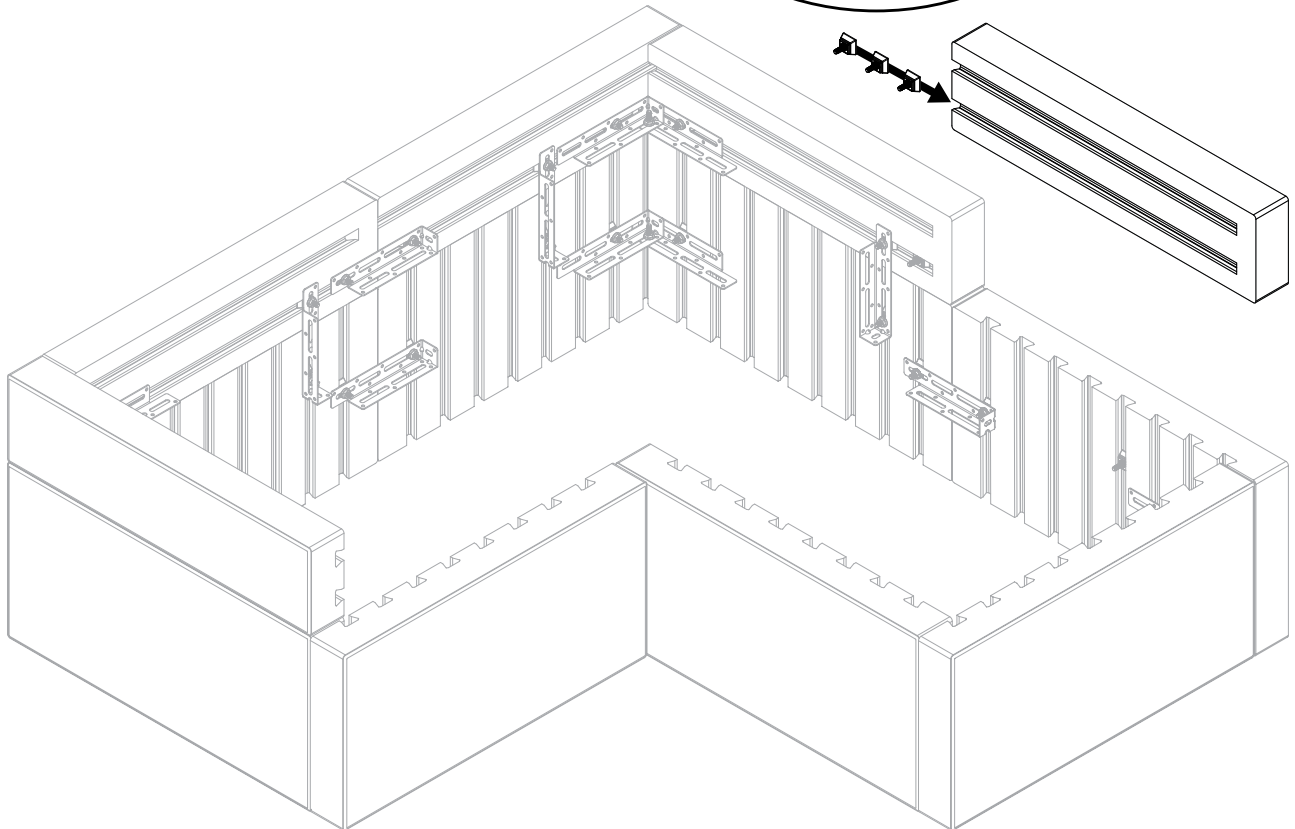
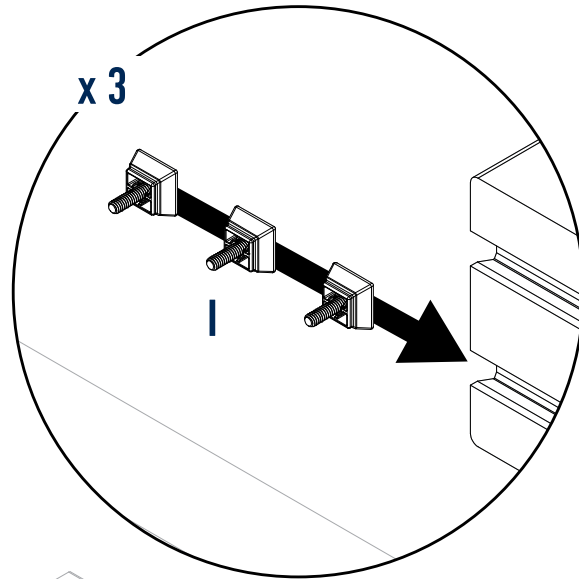


18



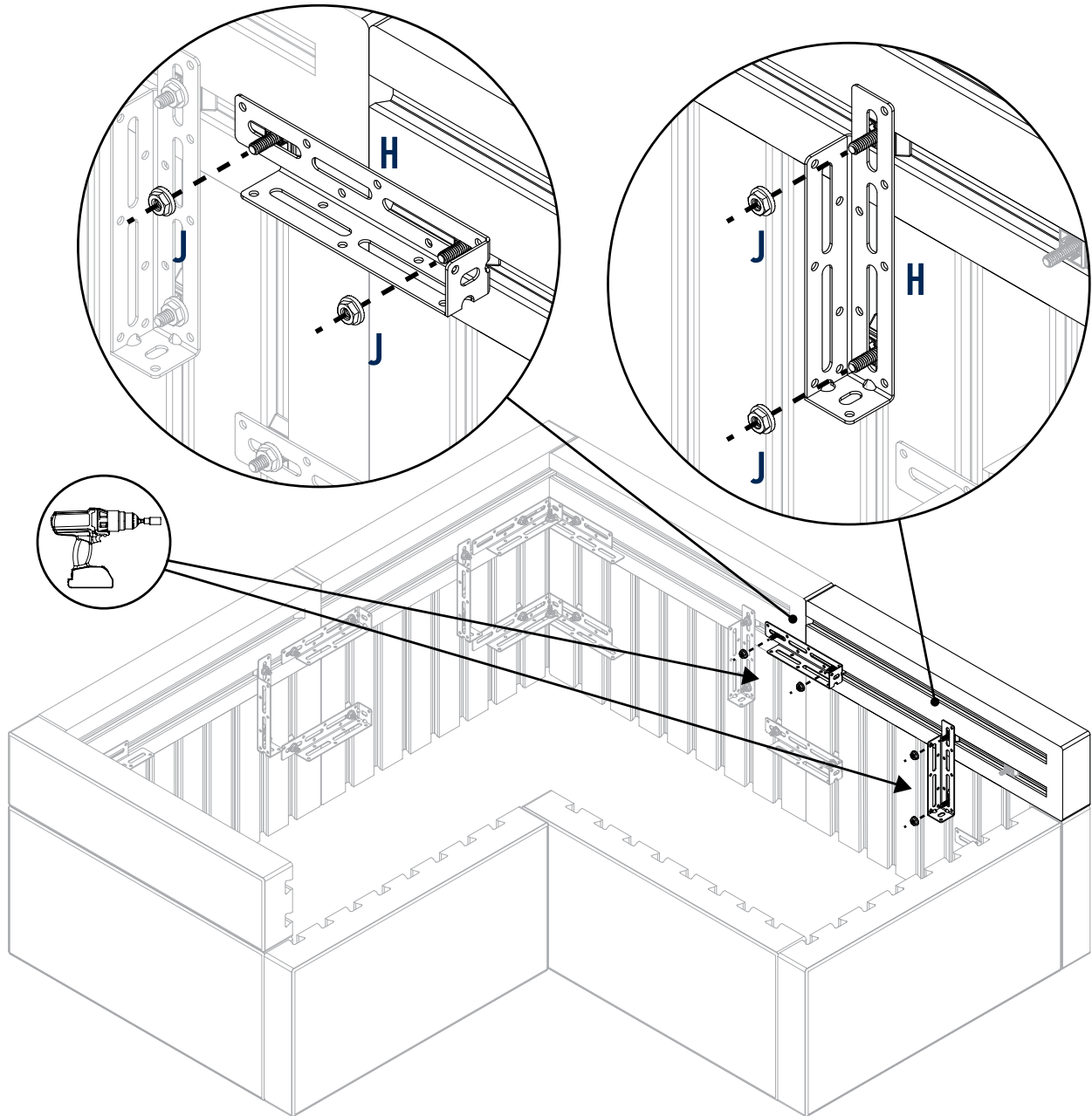


19



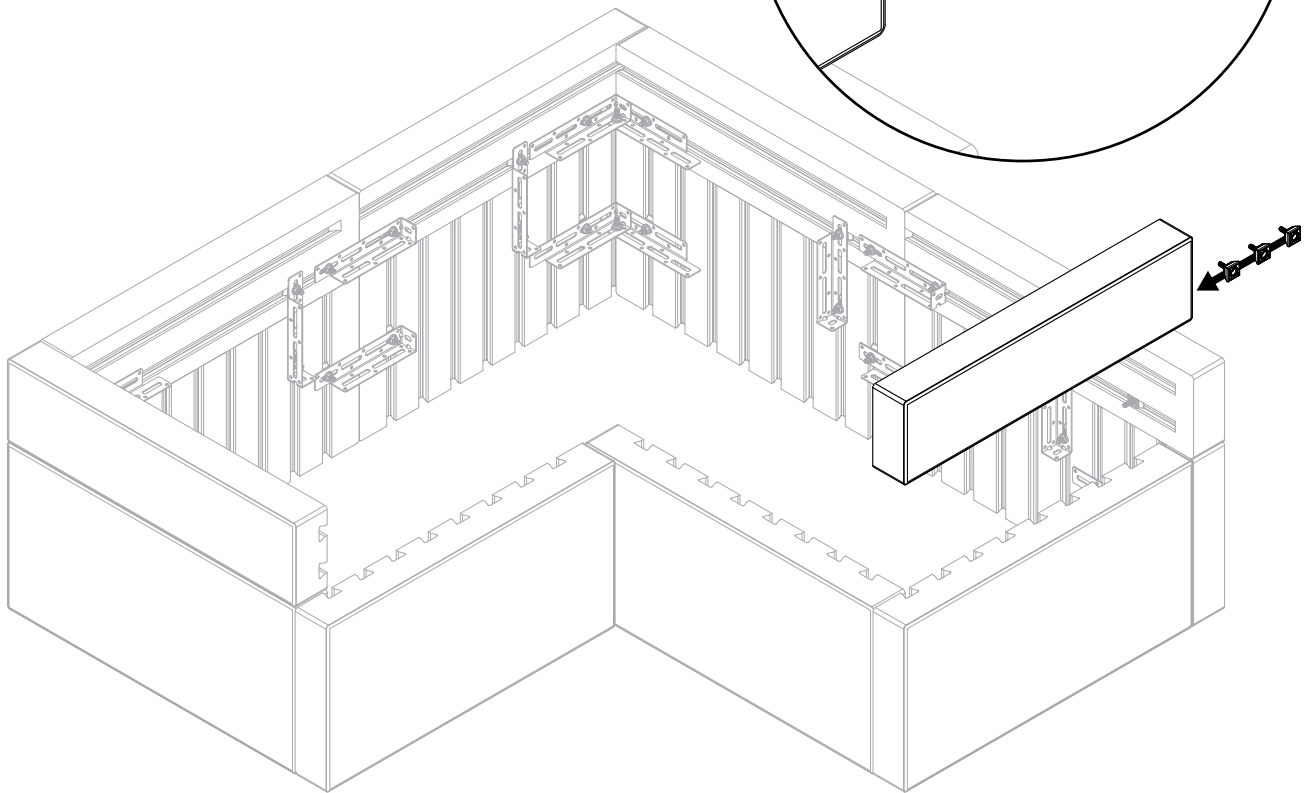
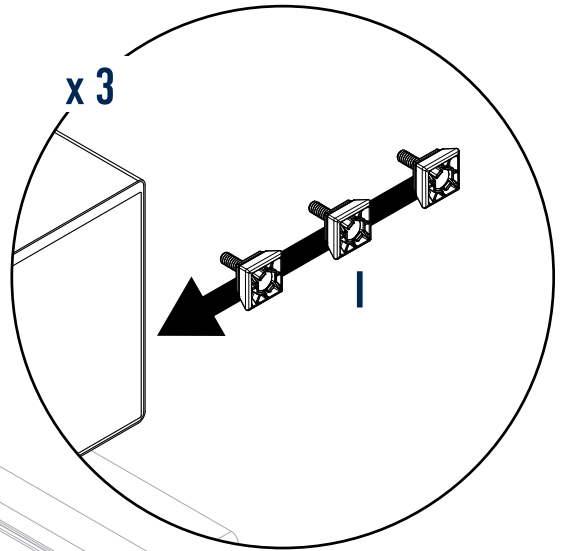


20



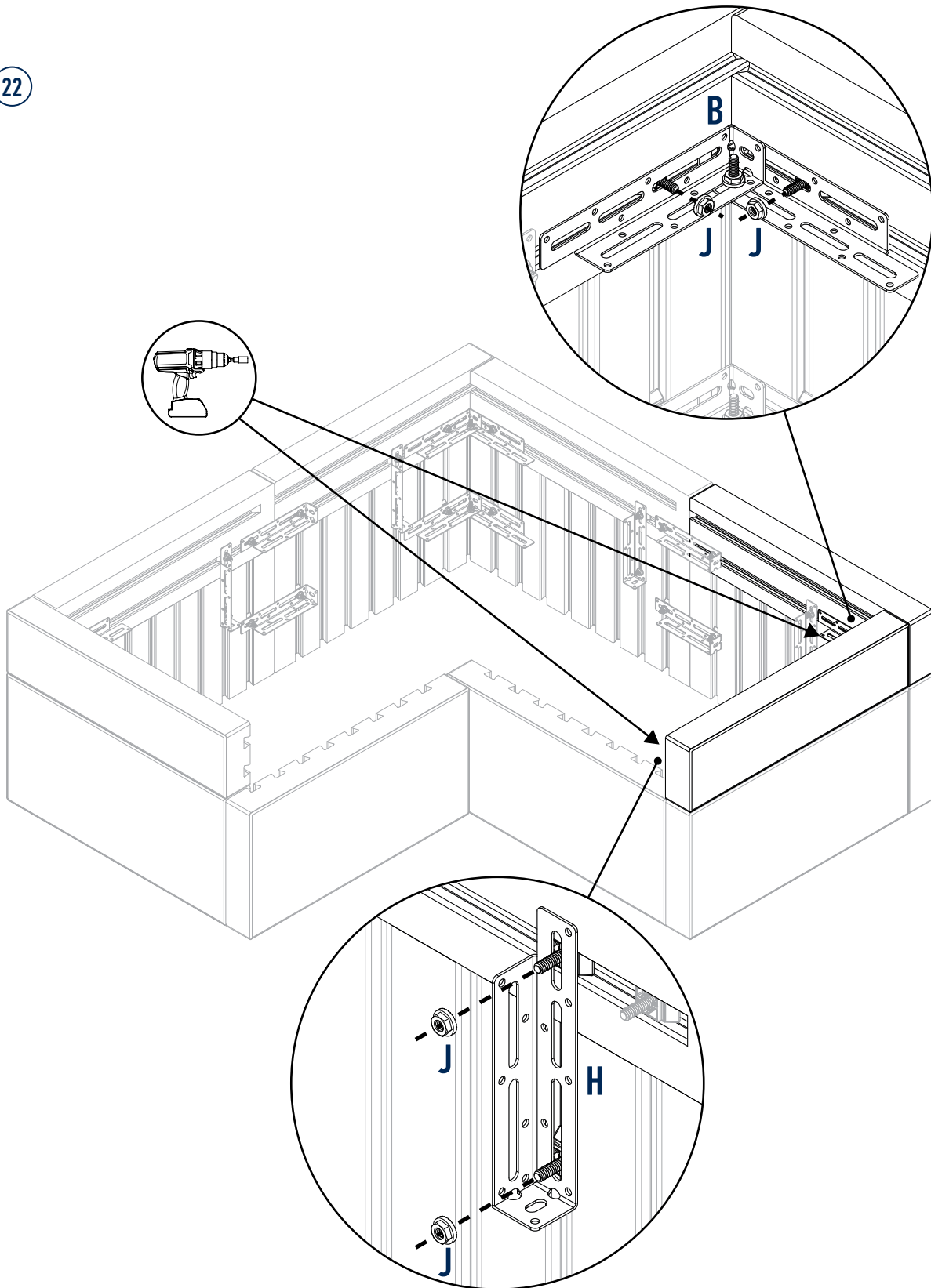


21



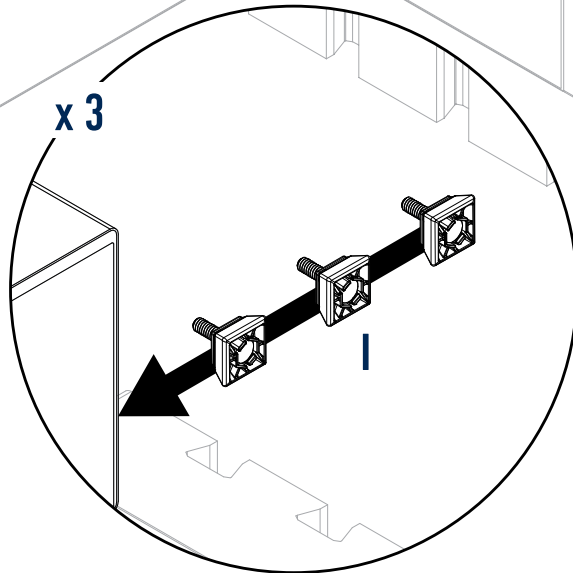
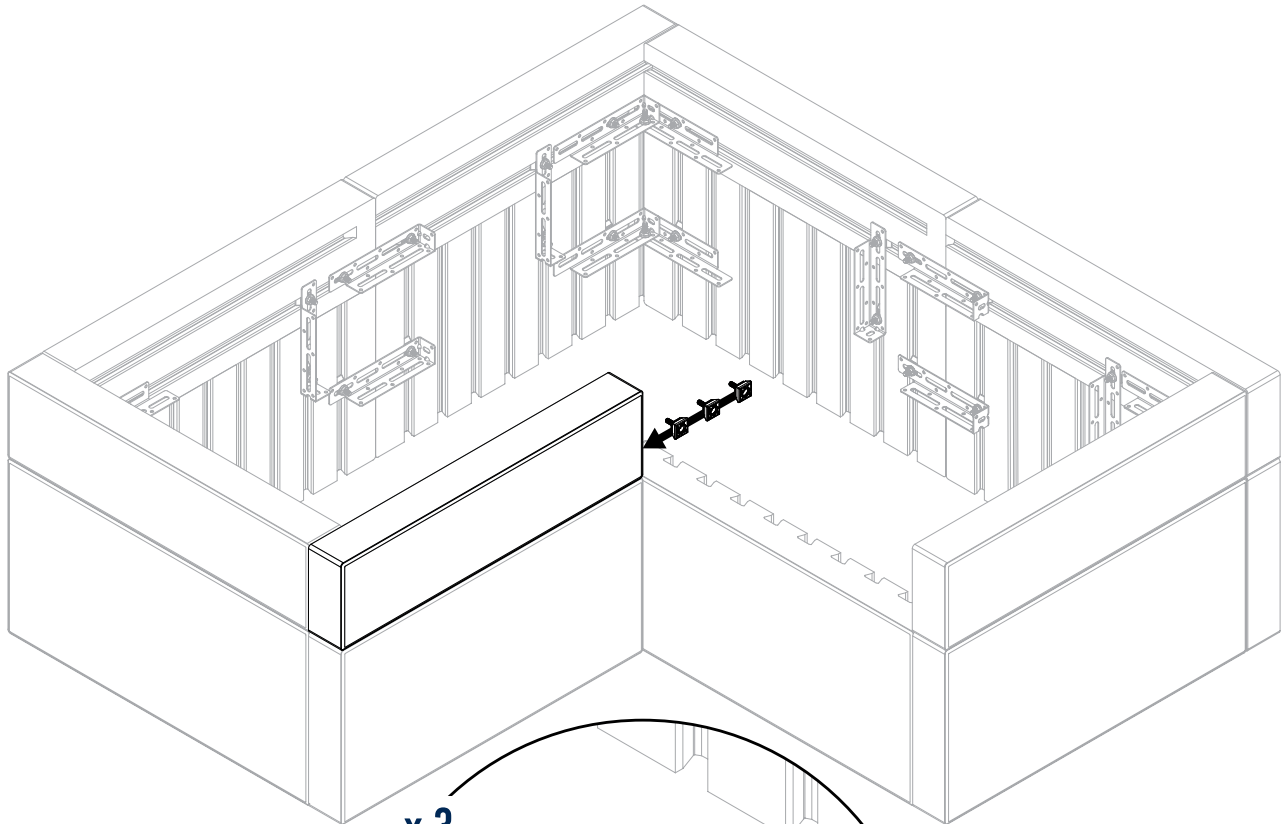


22



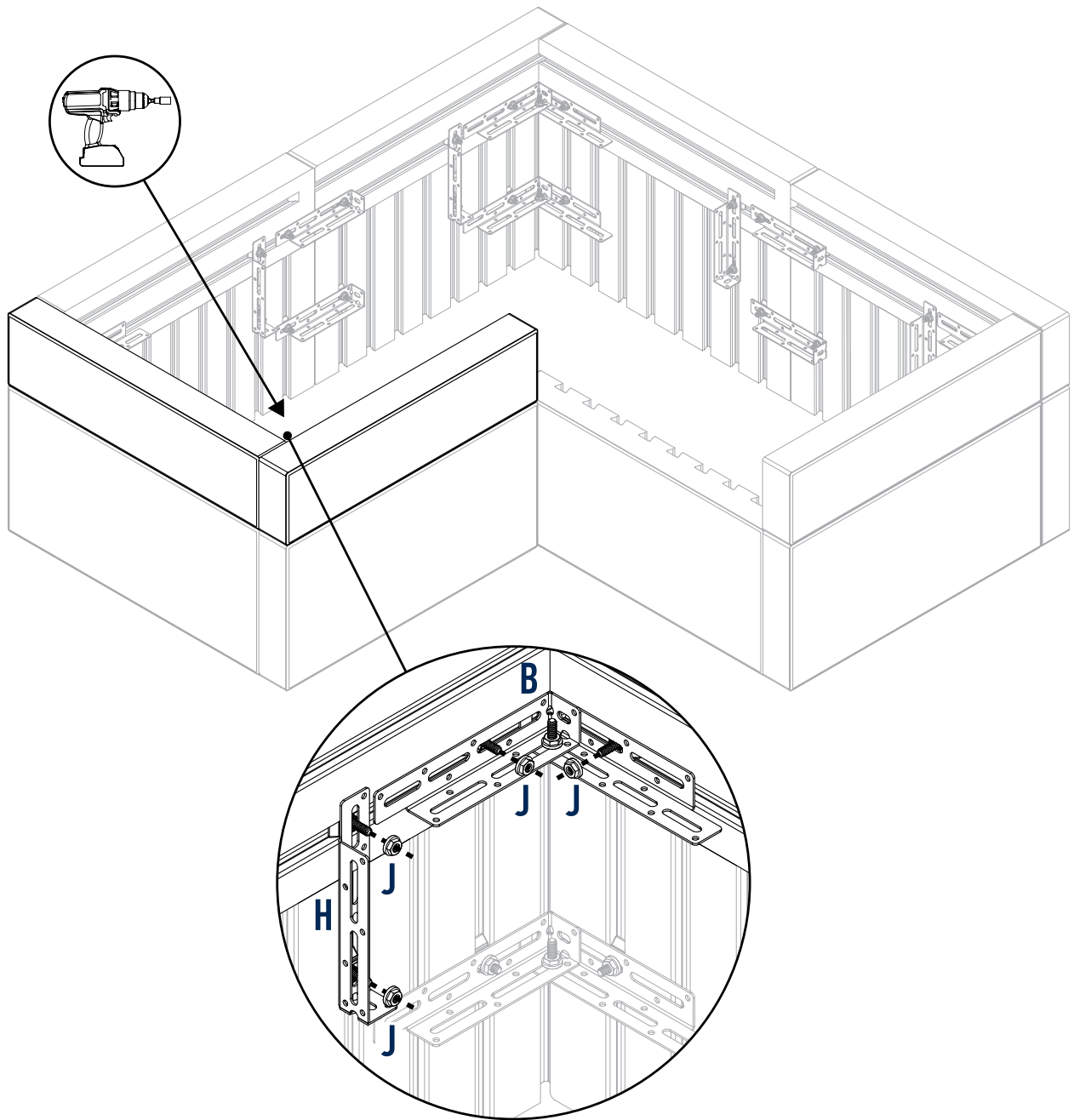


23



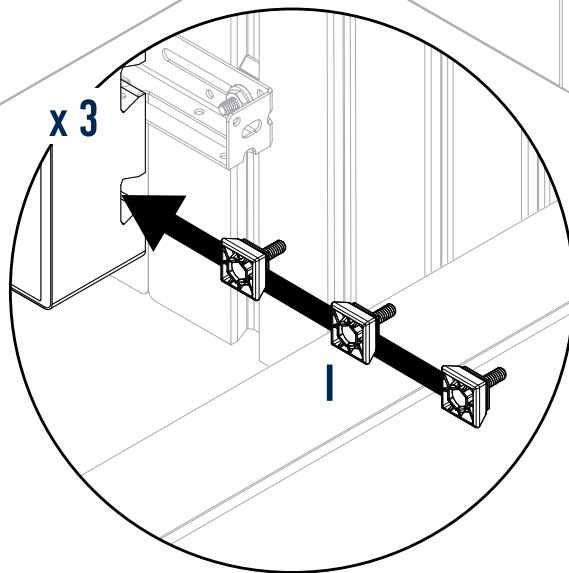
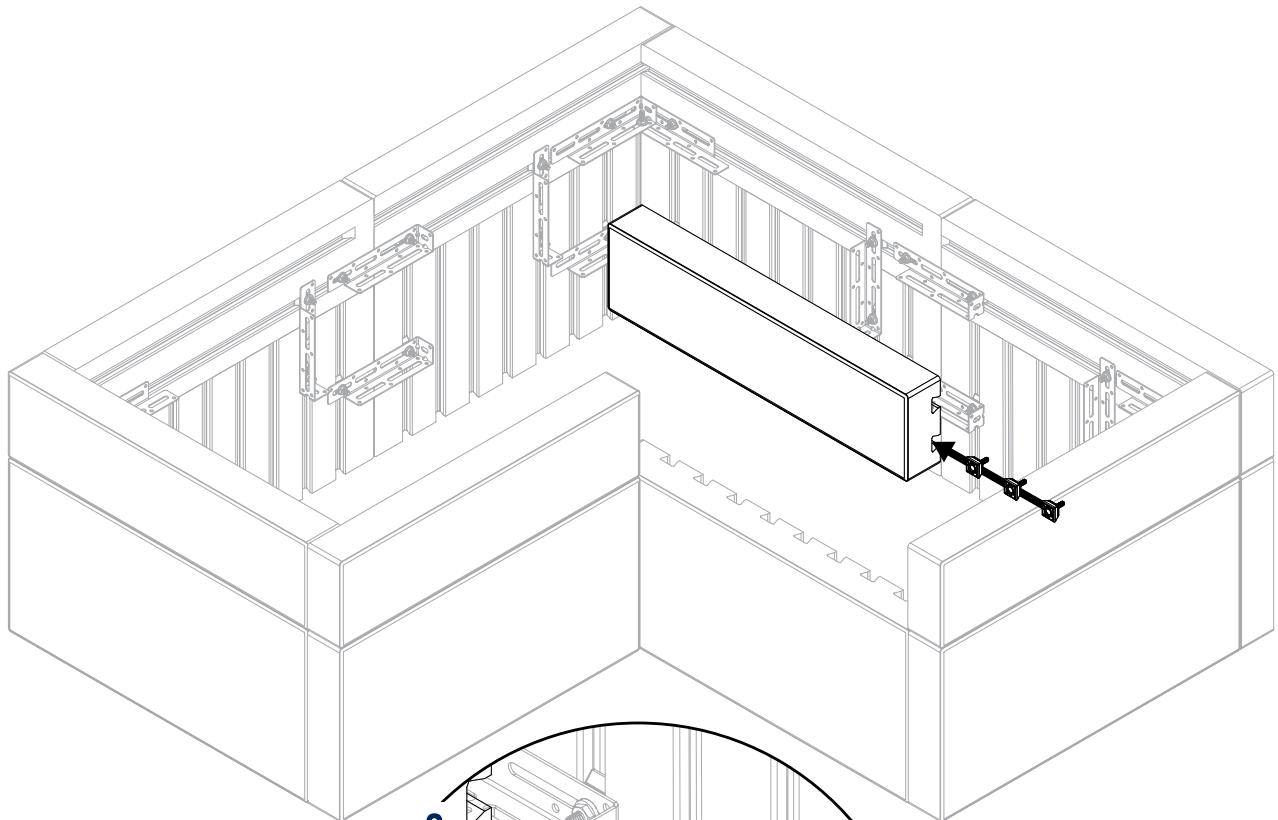


24





25





26

