

# RECESSED RECTANGULAR GAS FIRE PIT



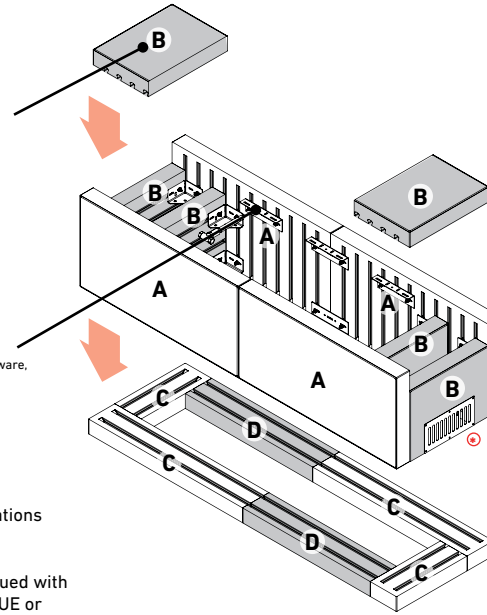
### INTERIOR VIEW

The panels on the top are glued using CONSTRUCTION GLUE or STRUCTURE BOND

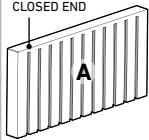
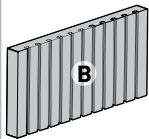
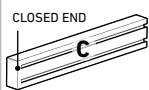
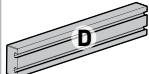
The 17 x 46 burner pan is sitting directly on the ARTFORMS hardware, on the joinings brackets.

Ⓢ Cut panel(s) according to the burner manufacturer's specifications for ventilation.

**NOTE:** The panels 18 x 36 are glued with 6 x 36 using CONSTRUCTION GLUE or STRUCTURE BOND

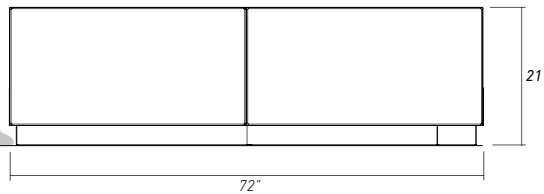


### REQUIRED PANELS

- CLOSED END  
 18 x 36 PANEL **4x**
-  18 x 36 PANEL **3x**
- CLOSED END  
 6 x 36 PANEL **4x**
-  6 x 36 PANEL **2x**

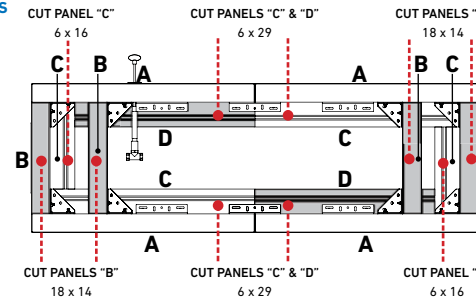
**IMPORTANT:** 18 x 36 panels are sold in pair/layer or in full pallet only. 6 x 36 panels are sold per unit or in layer or in full pallet.

### FRONT VIEW

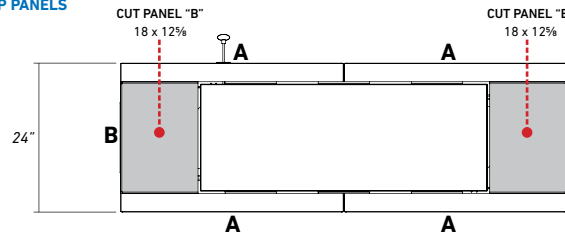


### TOP VIEW

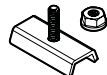
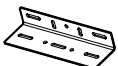
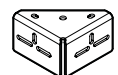


#### WITHOUT TOP PANELS



#### WITH TOP PANELS



### REQUIRED HARDWARE

-  ANCHOR SLIDE AND NUT **48x**
-  JOINING PLATE **8x**
-  OUTER CORNER **16x**
-  INNER CORNER **0x**
-  STRETCHER **0x**

**IMPORTANT:** It is recommended to follow the firekit manufacturer's specifications for ventilation. Belgard is not responsible for the conformity of connections, clearances and ventilation. Burner pan and accessories are not included.