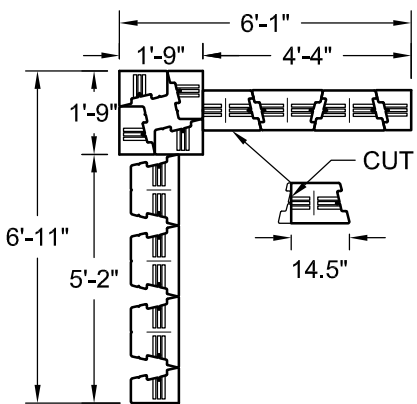
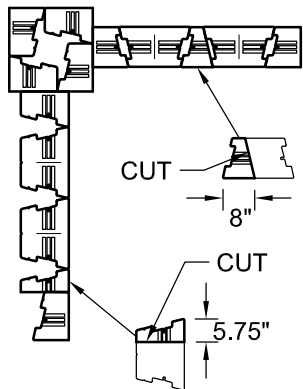


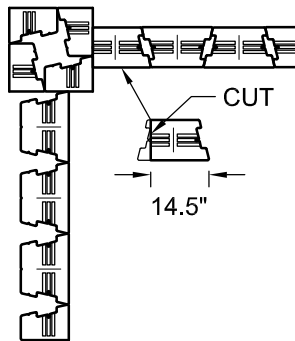
COURSE 1



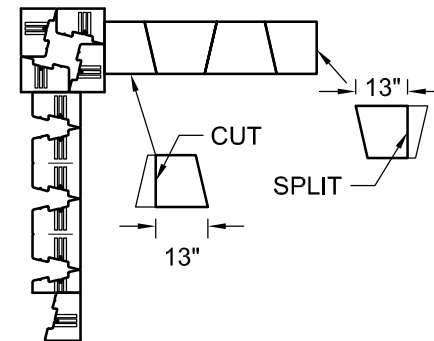
COURSE 2



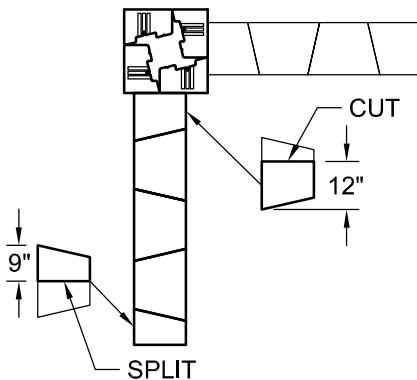
COURSE 3



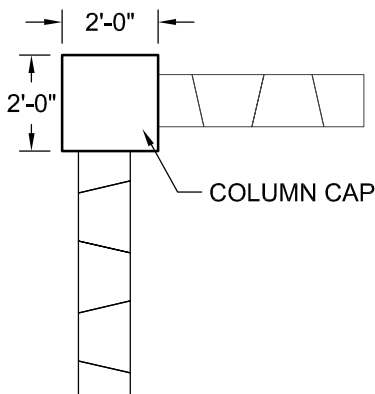
COURSE 4



COURSE 5



COURSE 6



UNITS NEEDED:

SRW UNITS:	24
FSW UNITS:	11
TOTAL UNITS:	35
CAPS:	9
COLUMN CAP:	1

NOTES:

1. DIMENSIONS OF MODIFIED UNITS SHOWN ARE APPROXIMATE. VERIFY DIMENSIONS DURING CONSTRUCTION
2. AFFIX ALL UNITS WITH CONSTRUCTION-GRADE ADHESIVE



SRW HALF UNIT

FSW FULL UNIT

FSW HALF UNIT



© 2017 Anchor Wall Engineering, LLC  
 © and ™ Anchor Wall Systems, Inc.  
[www.anchorwall.com](http://www.anchorwall.com)

This drawing is for illustrative purposes only and should not be used for construction without the signature of a registered professional engineer.

Sterling™ Wall System

Dealer Display

Scale:  
1/4" = 1'-0"

Drawn by:  
SB

Date:  
12/14/2017

Drawing number:  
DISP01