



BELGARD®
PAVES THE WAY™

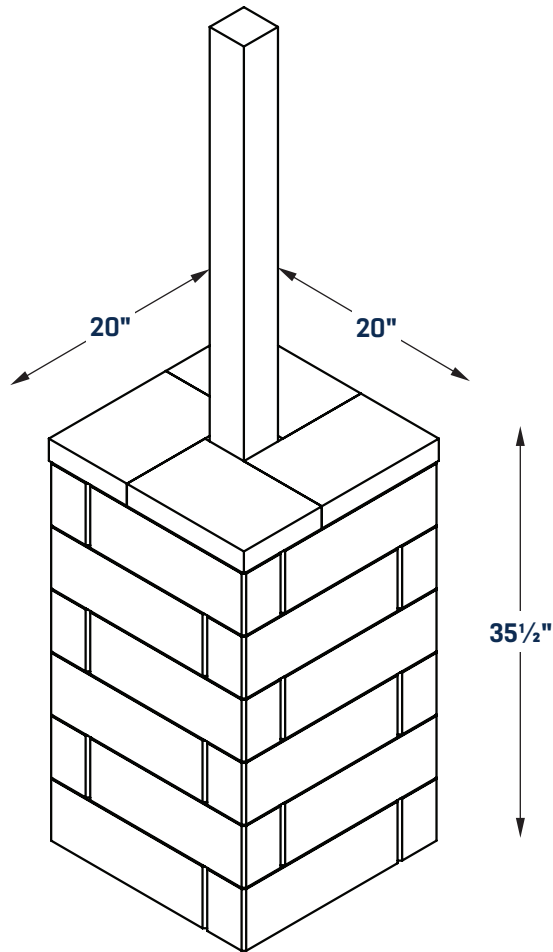
T-BLOCK



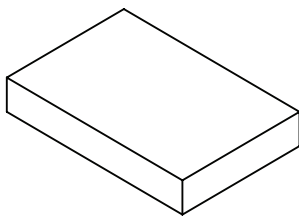
COLUMN WITH 4" x 4"

T-BLOCK

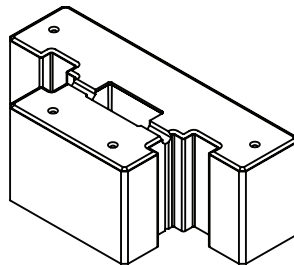
COLUMN
WITH 4" x 4"



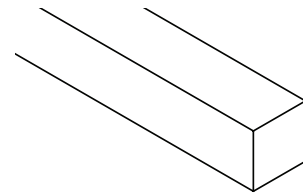
COMPONENTS



Cap (x4)



T-Block (x24)



4" x 4" x 8'

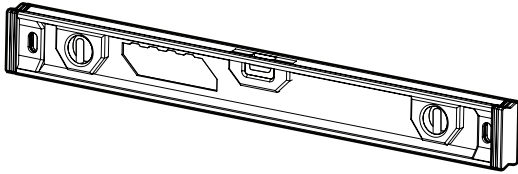


Glue Tube

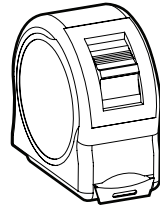
T-BLOCK

COLUMN
WITH 4" x 4"

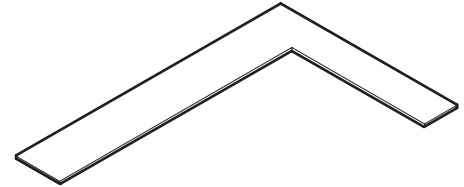
REQUIRED TOOLS



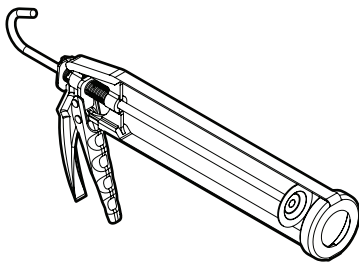
LEVEL



MEASURING
TAPE



CARPENTER
SQUARE

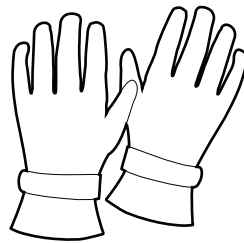


SILICONE
GUN

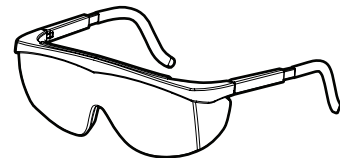
SAFETY EQUIPMENT



SAFETY BOOTS



GLOVES

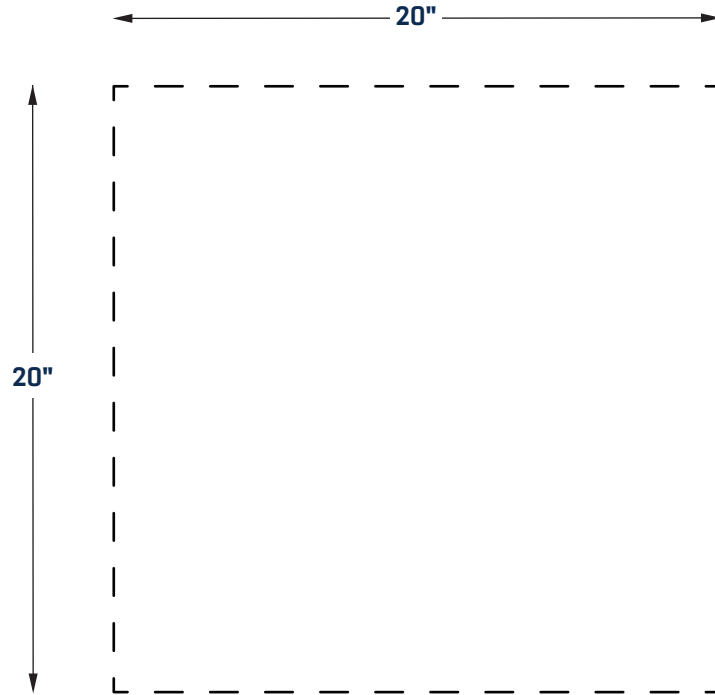


SAFETY GLASSES

T-BLOCK

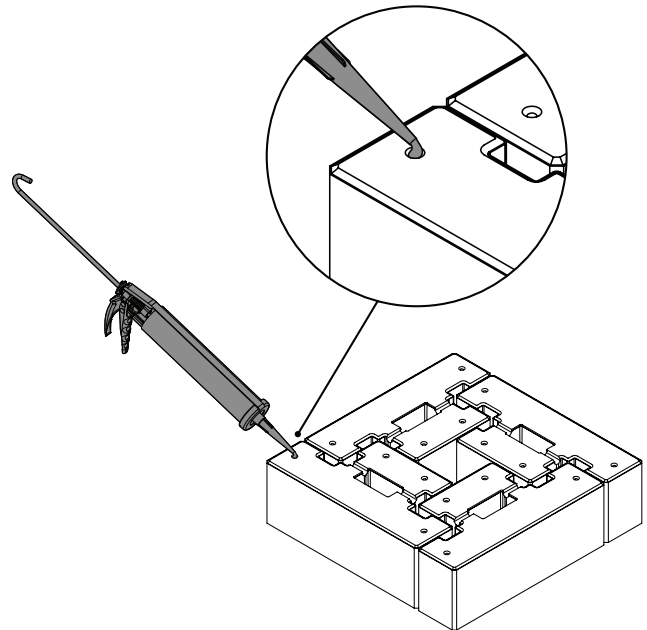
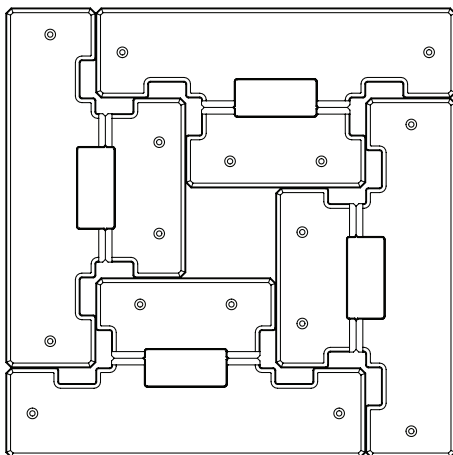
COLUMN
WITH 4" x 4"

1



2

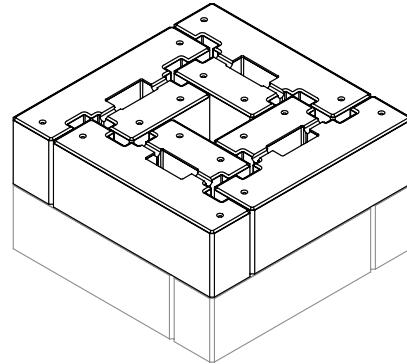
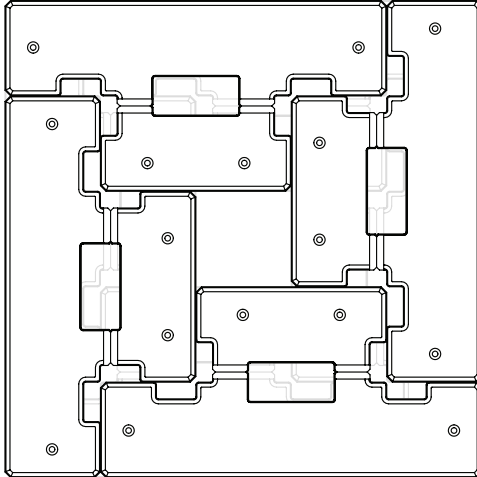
Do not forget to add glue in the cavities before laying down your next level.



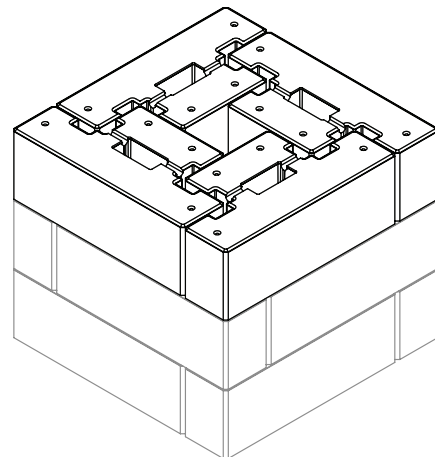
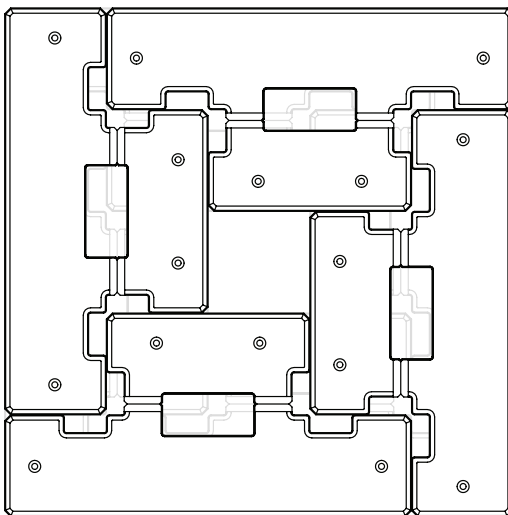
T-BLOCK

COLUMN
WITH 4" x 4"

- 3 Do not forget to add glue in the cavities before laying down your next level.



- 4 Do not forget to add glue in the cavities before laying down your next level.

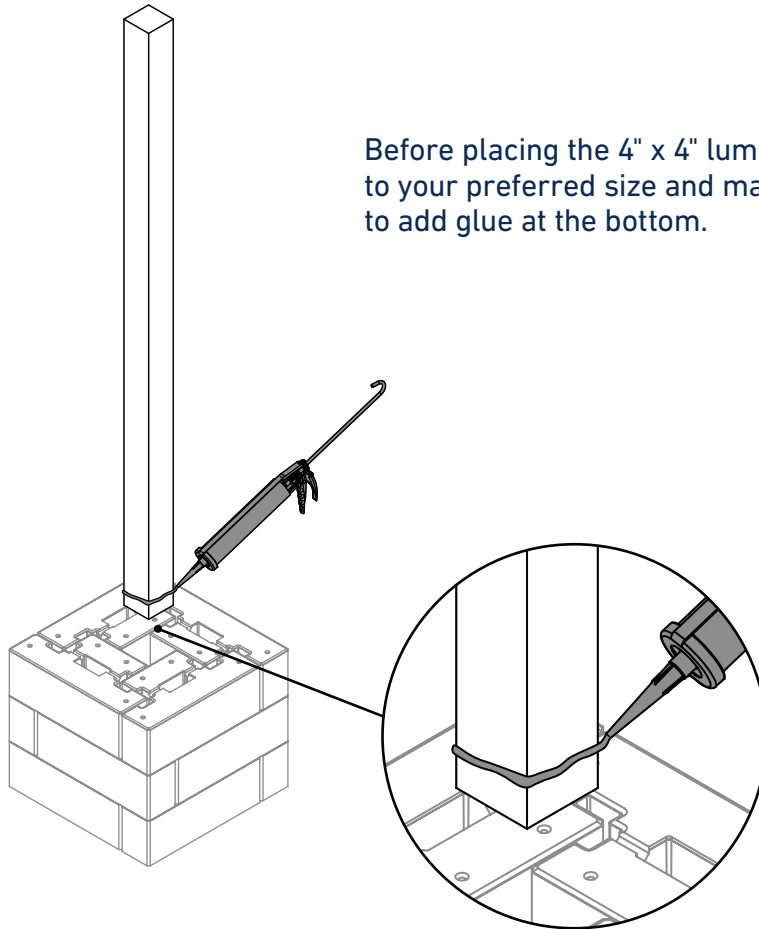


T-BLOCK

COLUMN
WITH 4" x 4"

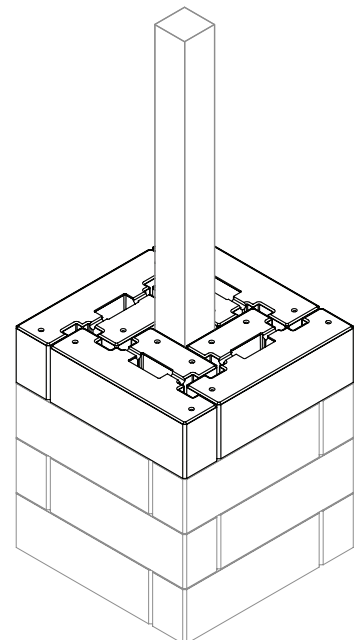
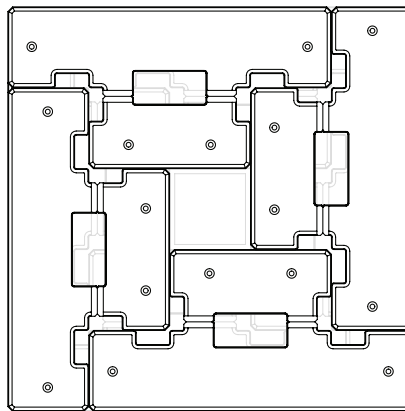
5

Before placing the 4" x 4" lumber, cut it to your preferred size and make sure to add glue at the bottom.



6

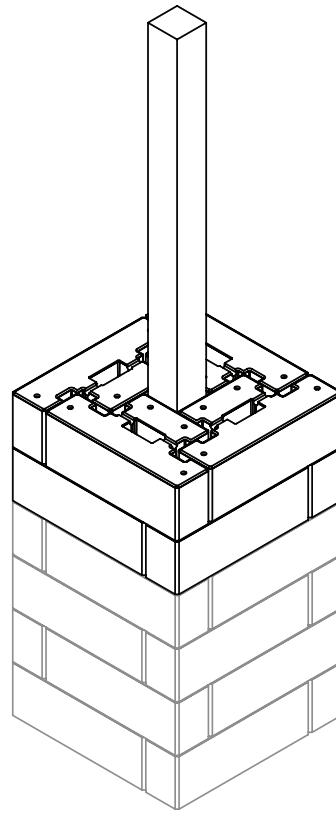
Do not forget to add glue in the cavities and on the sides where the blocks touch the 4" x 4" lumber before laying your next layer.



T-BLOCK

COLUMN WITH 4" x 4"

- 7 Continue alternating steps 2 and 3 until you have 6 levels, adding glue in the cavities and on the side where block touch the 4" x 4" before laying the next layer.



- 8 Do not forget to add glue in the cavities before laying down your next level.

